



US00D744654S

(12) **United States Design Patent**
Gerson et al.

(10) **Patent No.:** **US D744,654 S**

(45) **Date of Patent:** **** Dec. 1, 2015**

- (54) **LOW PROFILE FILTER**
- (71) Applicant: **Louis M. Gerson Co., Inc.**, Middleboro, MA (US)
- (72) Inventors: **Ronald L. Gerson**, Middleboro, MA (US); **Robert A. Brunell**, Forestdale, MA (US)
- (73) Assignee: **Louis M. Gerson Co., Inc.**, Middleboro, MA (US)
- (**) Term: **14 Years**
- (21) Appl. No.: **29/470,608**
- (22) Filed: **Oct. 23, 2013**
- (51) **LOC (10) Cl.** **24-00**
- (52) **U.S. Cl.**
USPC **D24/162**
- (58) **Field of Classification Search**
USPC D24/162, 216, 110.4, 110.1, 110, D24/110.6; 128/201.25, 206.15, 206.17, 128/206.16; D23/209, 365
CPC A62B 17/04; A62B 18/10; A62B 23/02; A61M 16/0497
See application file for complete search history.

- D465,568 S * 11/2002 Petherbridge et al. D24/110
- D475,461 S * 6/2003 Takagi et al. D24/162
- D475,787 S * 6/2003 Zia et al. D24/162
- D488,233 S * 4/2004 Ellsworth et al. D24/216
- D506,551 S * 6/2005 Booth et al. D24/162
- D535,750 S * 1/2007 Clawson D24/162
- D555,226 S * 11/2007 Leavitt et al. D23/209
- D574,487 S * 8/2008 Edhouse et al. D24/110.4
- D577,816 S * 9/2008 Ungar D24/110.1

(Continued)

OTHER PUBLICATIONS

Honeywell Press Release, "Sperian Respiratory Protection USA Awarded a 65,000 Reusable Respirator Order by the Veterans Health Administration," Jun. 25, 2010 http://www.honeywellsafety.com/USA/News_and_Events/Press_Releases/Sperian_Respiratory_Protection_USA_awarded_a_65,000_reusable_respirator_order_by_the_Veterans_Health_Administration.aspx.

Primary Examiner — Holly Baynham

Assistant Examiner — Rhea Shields

(74) *Attorney, Agent, or Firm* — Occhiuti & Rohlicek LLP

(57) **CLAIM**

The ornamental design for a low profile filter, as shown and described.

DESCRIPTION

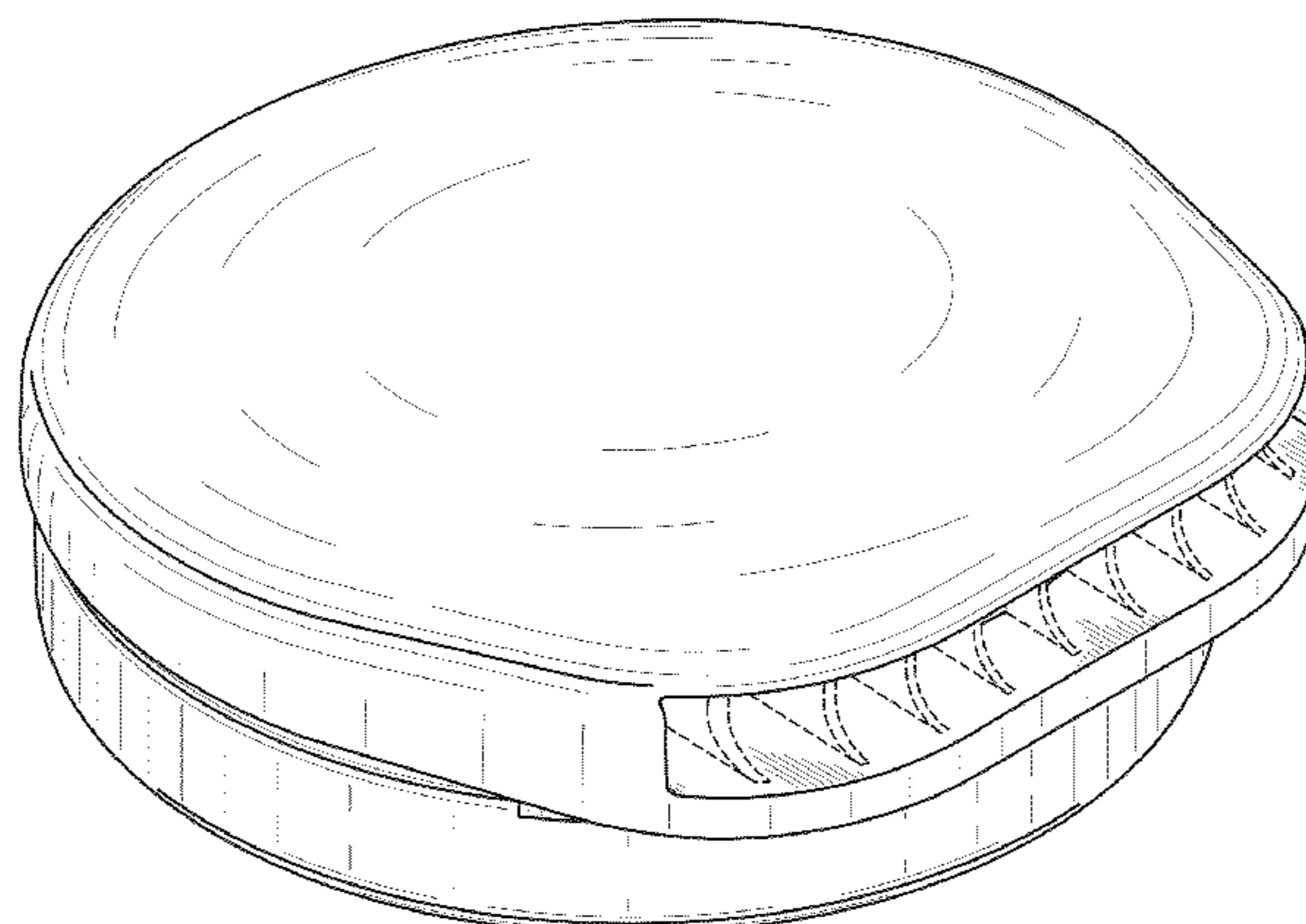
FIG. 1 is a front perspective view of a low profile filter according to our new design; FIG. 2 is a left side view of the low profile filter of FIG. 1; FIG. 3 is a rear view of the low profile filter of FIG. 1; FIG. 4 is a top view of the low profile filter of FIG. 1; FIG. 5 is a right side view of the low profile filter of FIG. 1; FIG. 6 is a front view of the low profile filter of FIG. 1; and, FIG. 7 is a bottom view of the low profile filter of FIG. 1. In the drawings, the broken lines are for the purpose of illustrating environment only and form no part of the claimed design.

1 Claim, 3 Drawing Sheets

(56) **References Cited**

U.S. PATENT DOCUMENTS

- 2,751,904 A * 6/1956 Lewis 128/206.17
- D320,273 S * 9/1991 Heiden D24/162
- D358,213 S * 5/1995 Sutton et al. D24/162
- D360,464 S * 7/1995 Murray D24/162
- D367,326 S * 2/1996 Bormann et al. D24/162
- D413,166 S * 8/1999 Snow et al. D24/110.6
- D414,861 S * 10/1999 Metzger D24/110
- D441,449 S * 5/2001 Gaskell D24/162
- D452,911 S * 1/2002 Danielsson D24/110
- 6,363,934 B2 * 4/2002 Metzger 128/206.16
- D457,231 S * 5/2002 Crafoord D23/365



US D744,654 S

Page 2

(56)

References Cited

U.S. PATENT DOCUMENTS

D604,834 S * 11/2009 Ungar D24/110.1
D652,506 S * 1/2012 Huberty et al. D24/110.1

D652,910 S * 1/2012 Duffy D24/110.1
D684,256 S * 6/2013 Menezes D24/110
2006/0076012 A1 * 4/2006 Tanizawa et al. 128/201.25
2008/0178884 A1 * 7/2008 Gerson et al. 128/206.15

* cited by examiner

FIG. 1

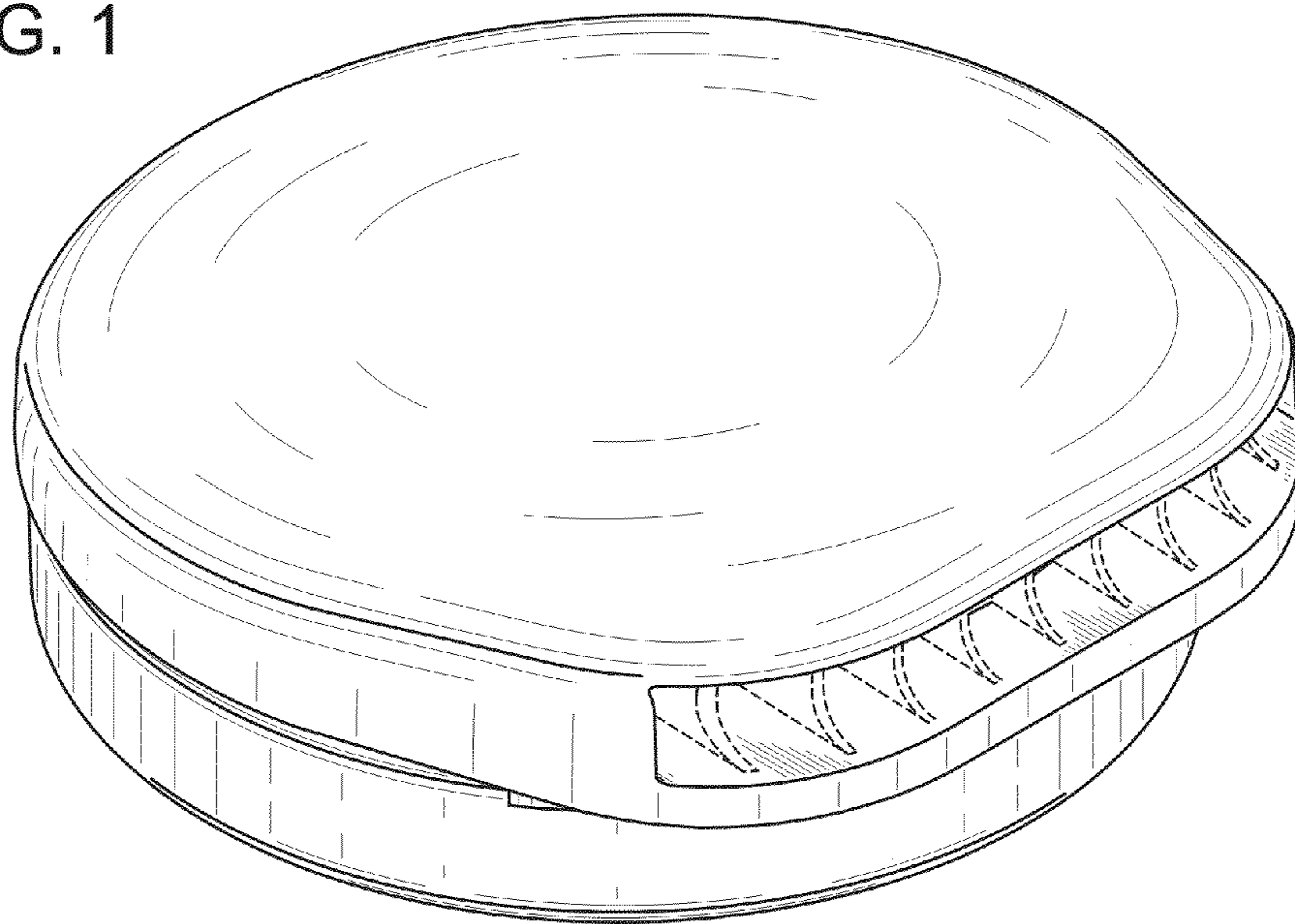


FIG. 2

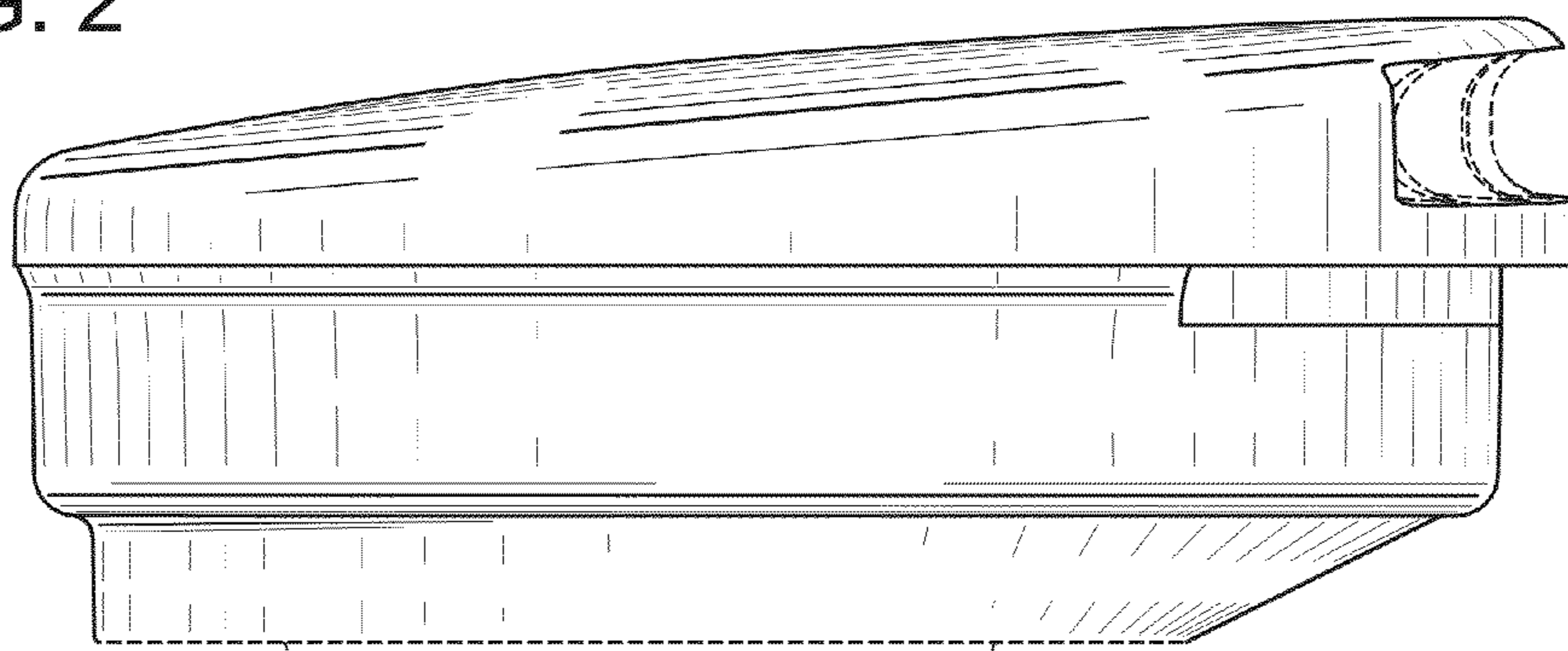
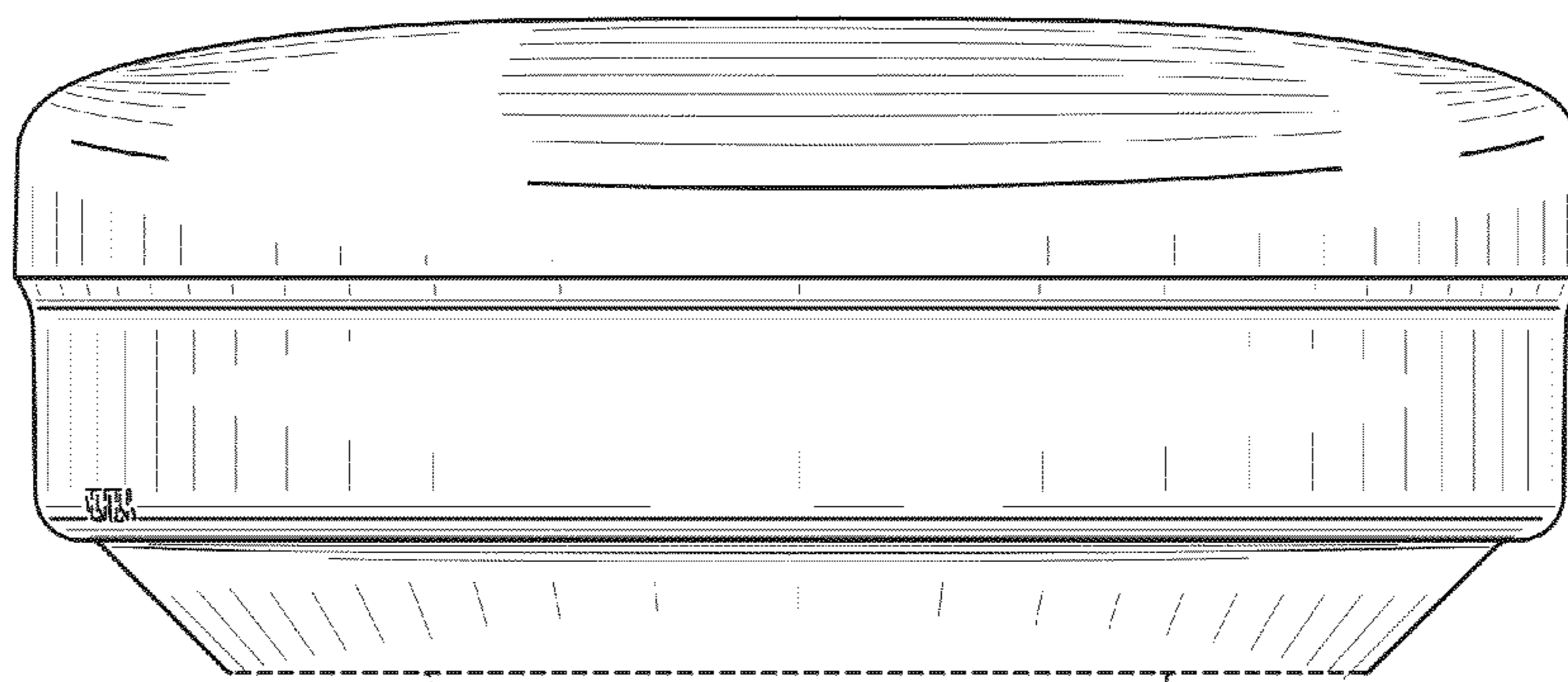


FIG. 3



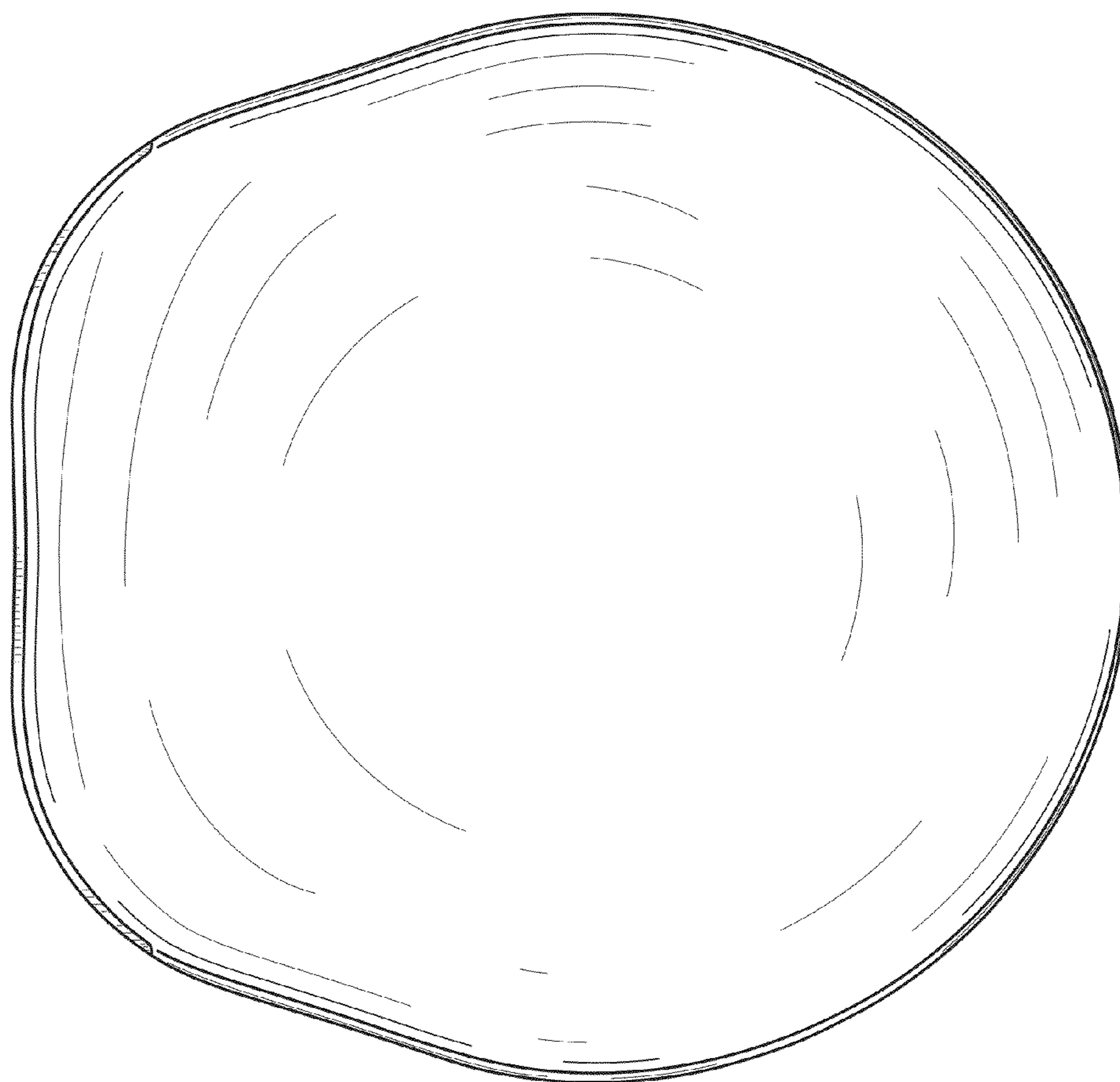


FIG. 4

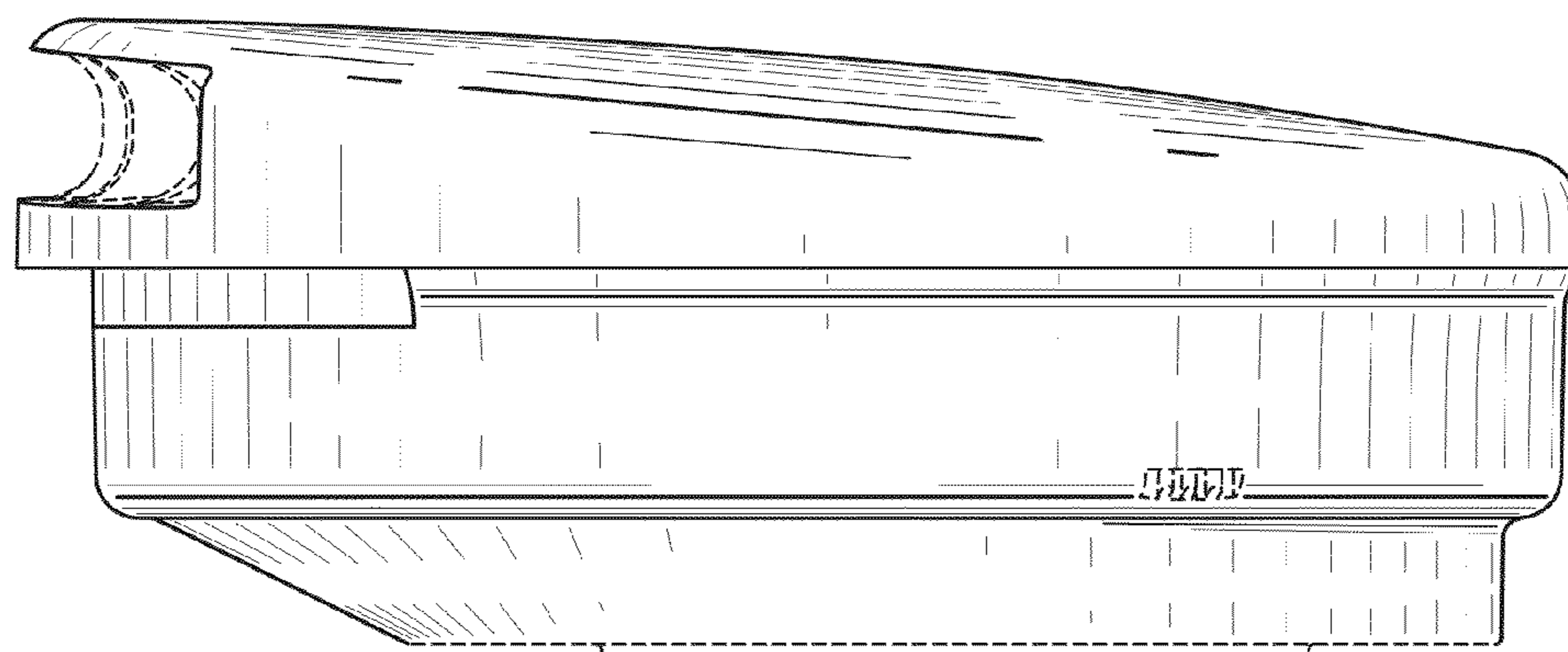


FIG. 5

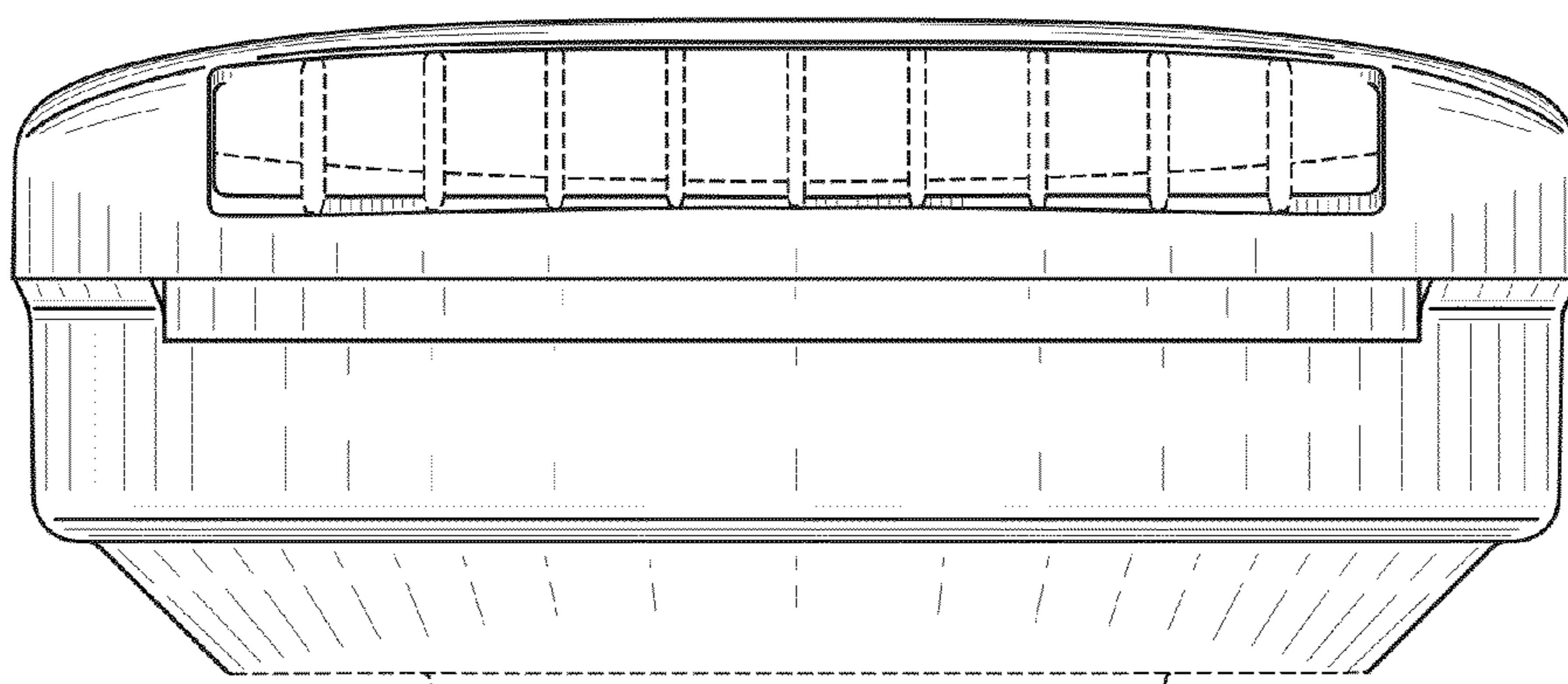


FIG. 6

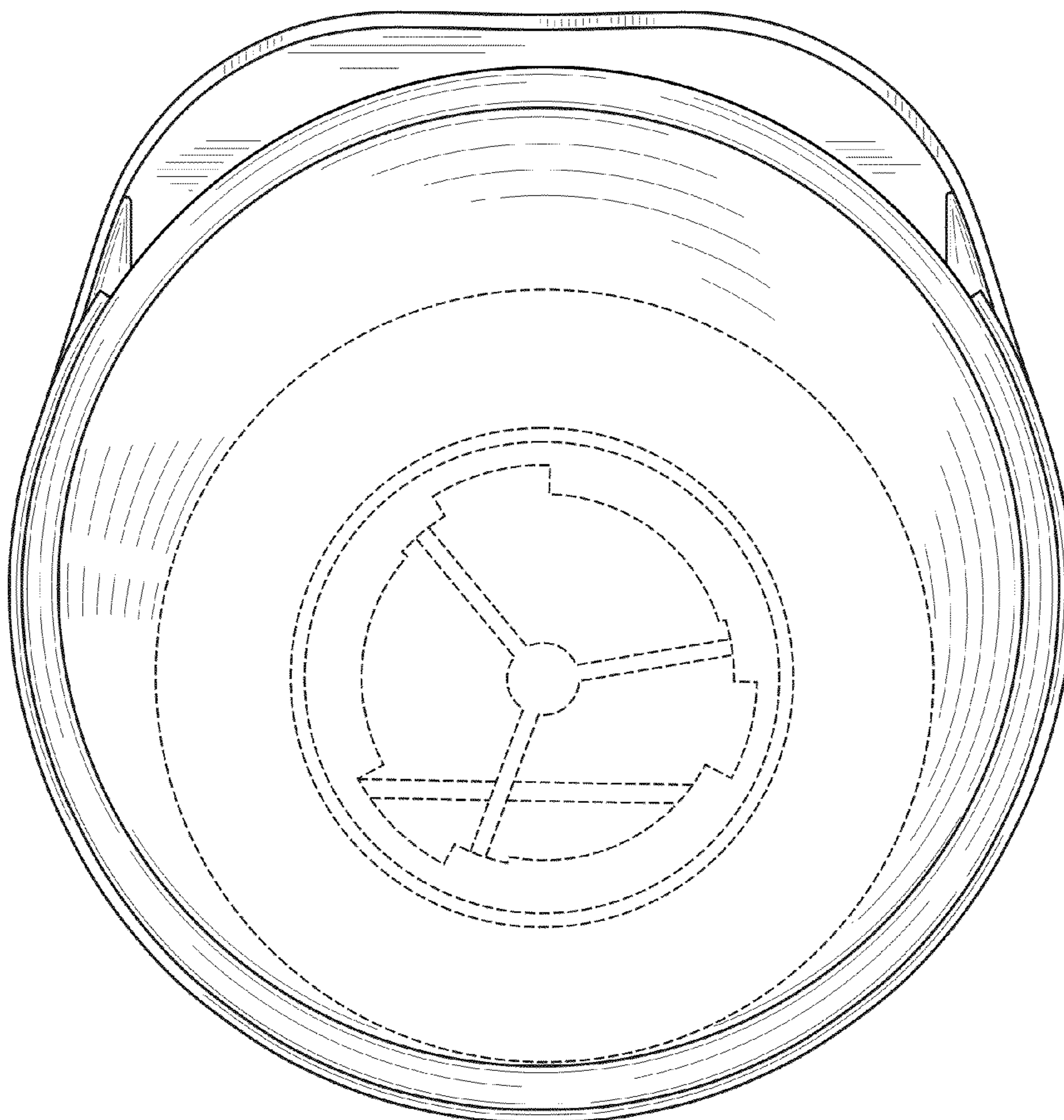


FIG. 7