



US00D744650S

(12) **United States Design Patent**
Catron et al.

(10) **Patent No.:** **US D744,650 S**
(45) **Date of Patent:** **** Dec. 1, 2015**

(54) **BIOPSY DEVICE**

(71) Applicant: **Hologic, Inc.**, Marlborough, MA (US)

(72) Inventors: **Mark A. Catron**, Superior, CO (US);
Eric Collins, Superior, CO (US)

(**) Term: **14 Years**

(21) Appl. No.: **29/503,403**

(22) Filed: **Sep. 25, 2014**

(51) **LOC (10) Cl.** **24-02**

(52) **U.S. Cl.**
USPC **D24/146**

(58) **Field of Classification Search**
USPC D7/649; D8/93, 97, 300, 310, 311, 313;
D19/110, 115; D24/127, 130, 133,
D24/146, 147, 148
CPC B26B 3/00; B26B 1/10; B26B 5/005;
A61B 17/809; A61B 17/1617; A61B 17/3211;
A61B 5/1411; A61B 17/3417
See application file for complete search history.

(56) **References Cited**

U.S. PATENT DOCUMENTS

4,919,146	A *	4/1990	Rhinehart et al.	600/565
4,989,614	A *	2/1991	Dejter et al.	600/565
5,284,156	A *	2/1994	Schramm et al.	600/567
D358,208	S *	5/1995	Niven	D24/133
5,931,847	A *	8/1999	Bittner et al.	606/167
6,193,673	B1 *	2/2001	Viola et al.	600/568

D490,152	S *	5/2004	Myall et al.	D24/133
8,202,229	B2	6/2012	Miller et al.	
D687,548	S *	8/2013	Hayashi	D24/130
D692,134	S *	10/2013	Lee-Sepsick	D24/146
2006/0129063	A1 *	6/2006	Thompson et al.	600/566
2013/0053726	A1 *	2/2013	Miller et al.	600/567
2015/0094751	A1 *	4/2015	Chen et al.	606/185

* cited by examiner

Primary Examiner — Robert M Spear

Assistant Examiner — Marissa J Cash

(74) *Attorney, Agent, or Firm* — Robert P. Smith

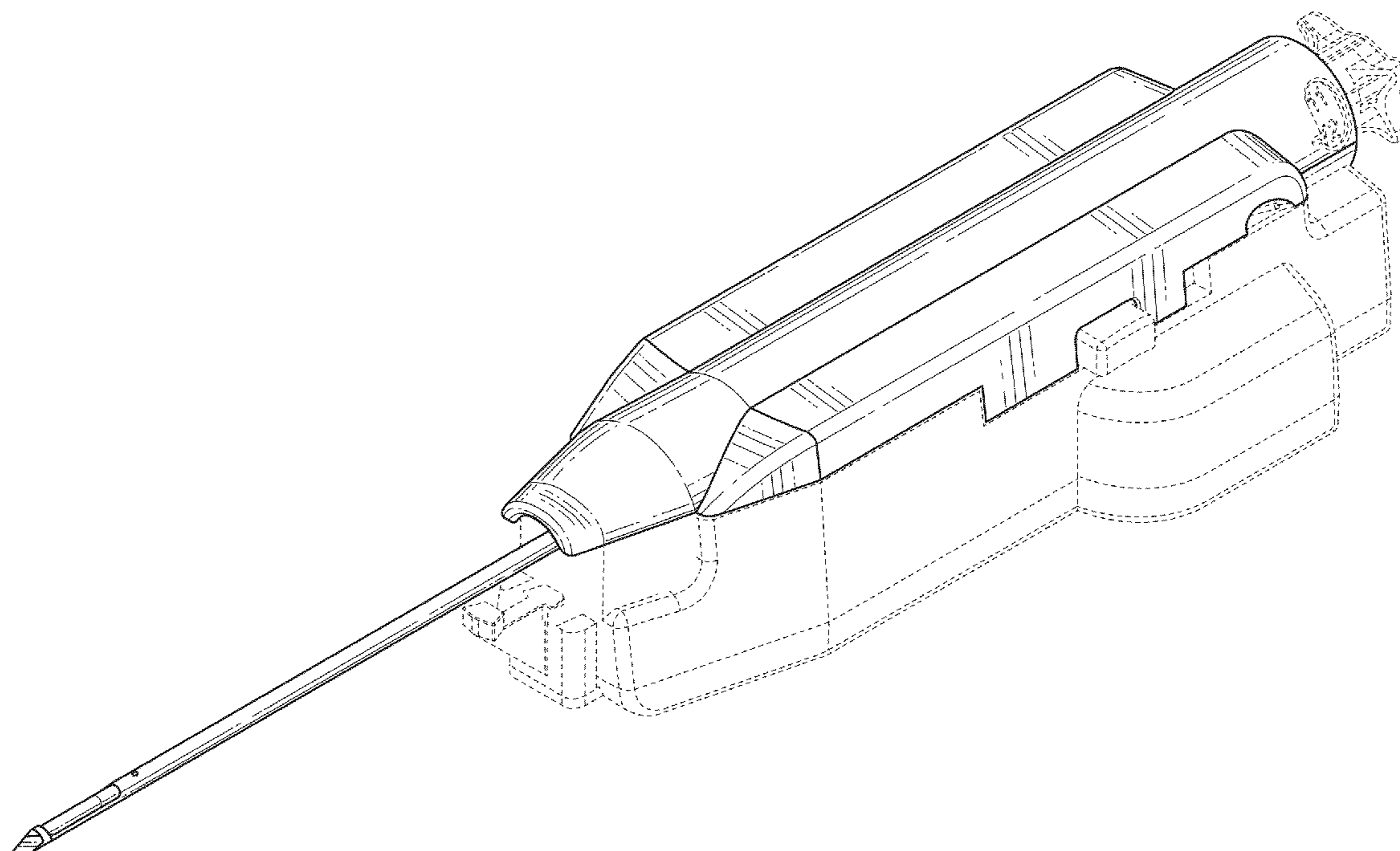
(57) **CLAIM**

The ornamental design for a biopsy device, as shown and described.

DESCRIPTION

FIG. 1 is a top front perspective view of a first embodiment of the biopsy device;
FIG. 2 is a top view thereof;
FIG. 3 is a bottom view thereof; and
FIG. 4 is a left side view thereof;
FIG. 5 is a right side view thereof;
FIG. 6 is a front view thereof;
FIG. 7 is a rear view thereof; and,
FIG. 8 is a top front perspective view thereof shown connected to a drive unit.
Any broken line illustration of environmental structure in the drawings is not part of the design sought to be patented.

1 Claim, 8 Drawing Sheets



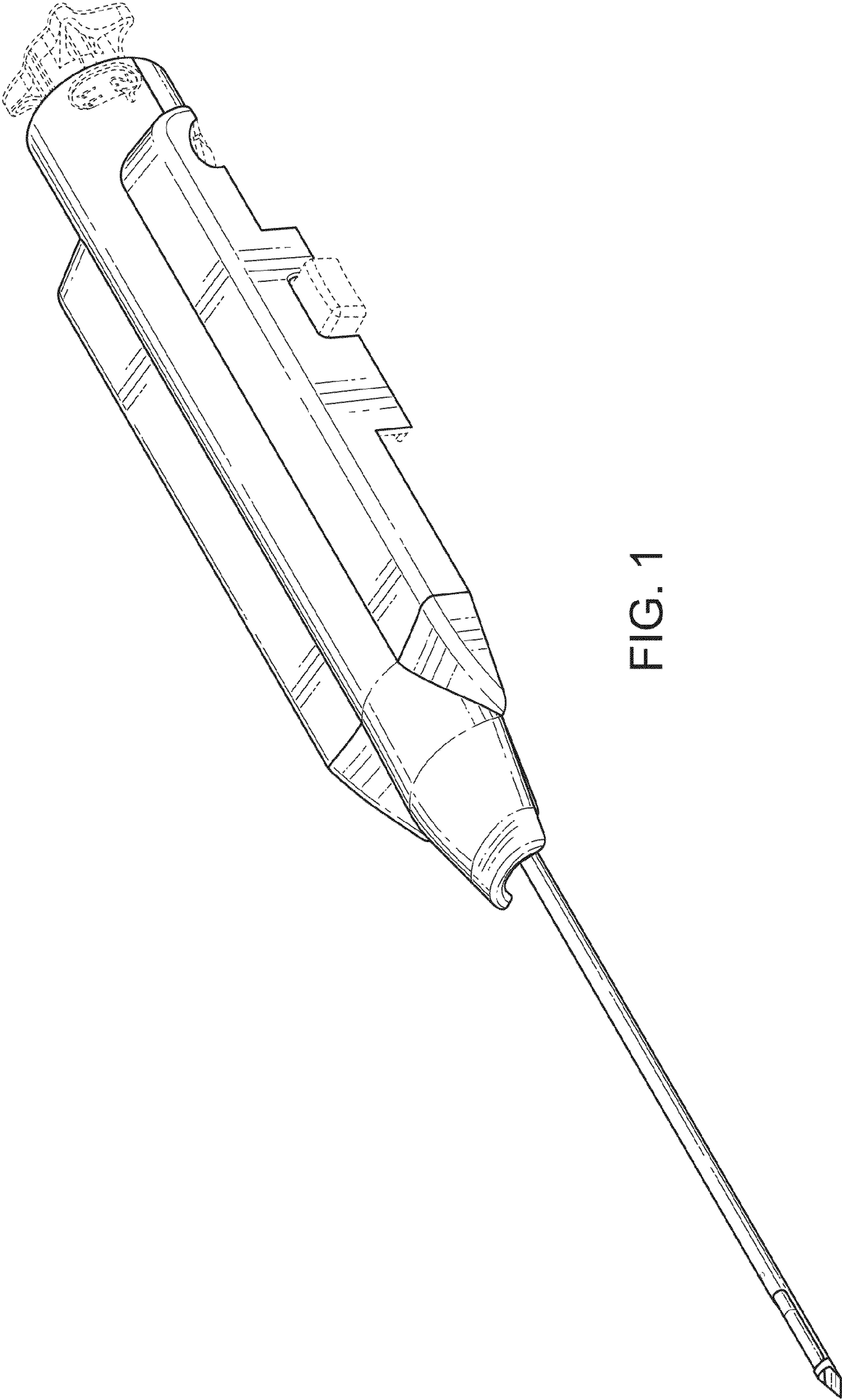


FIG. 1

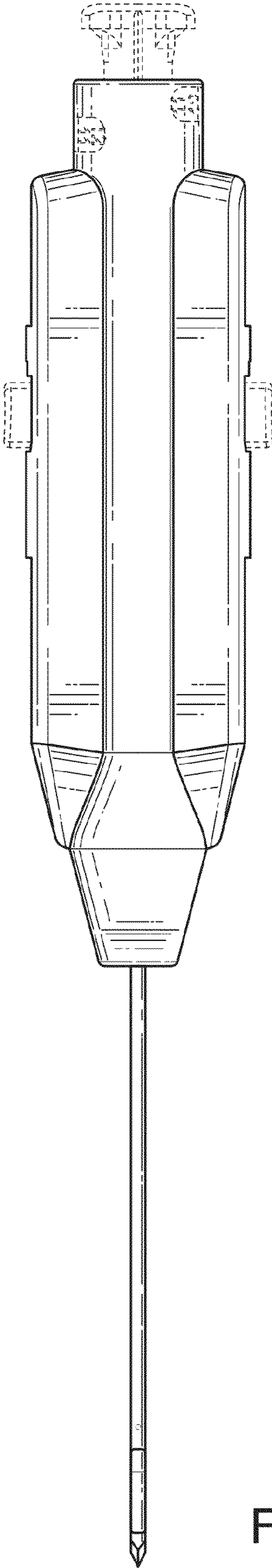


FIG. 2

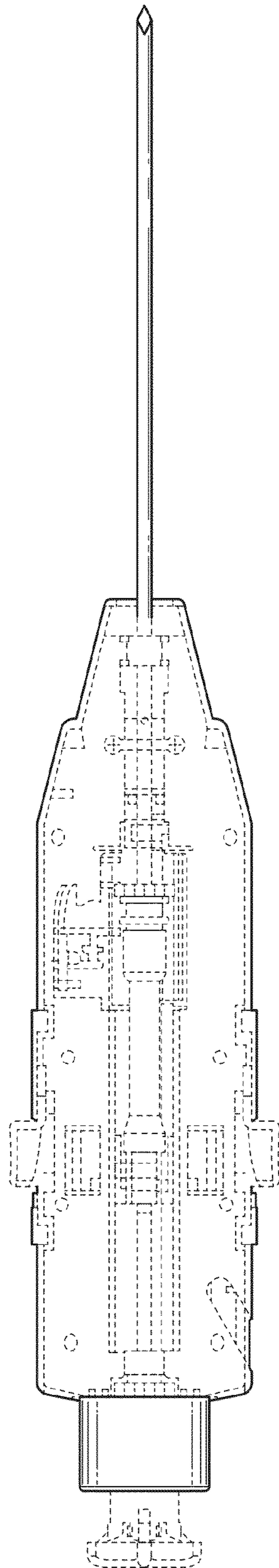


FIG. 3

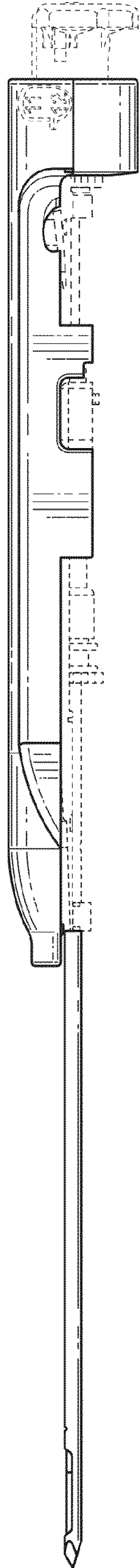


FIG. 4

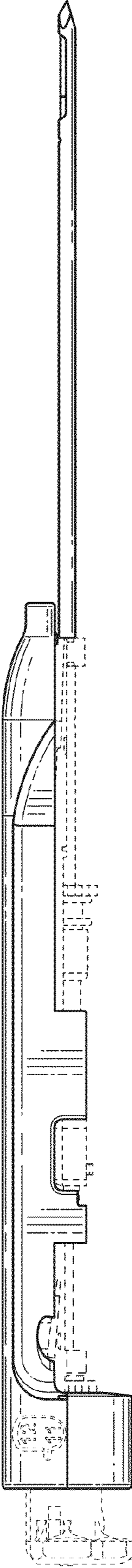


FIG. 5

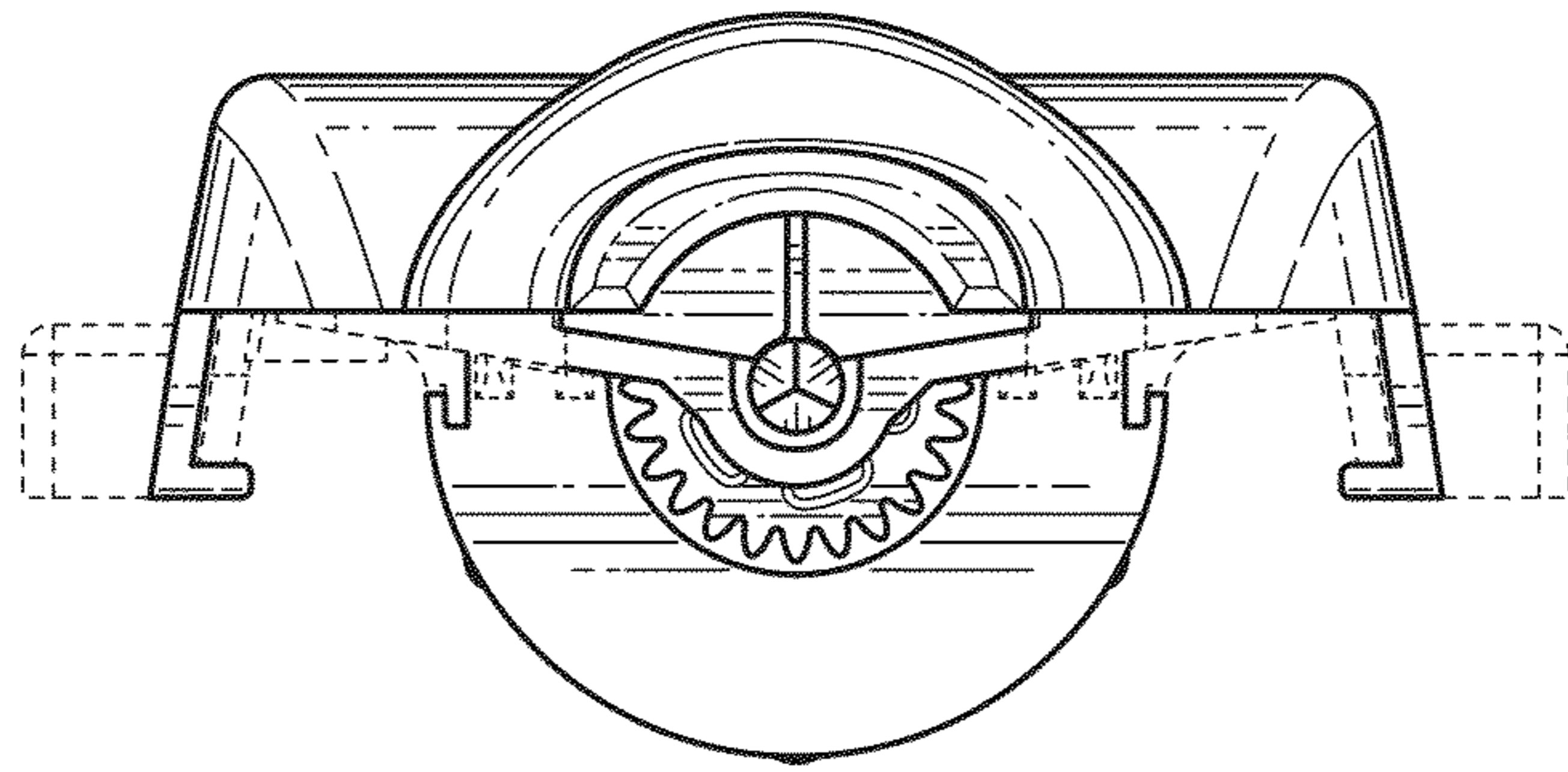


FIG. 6

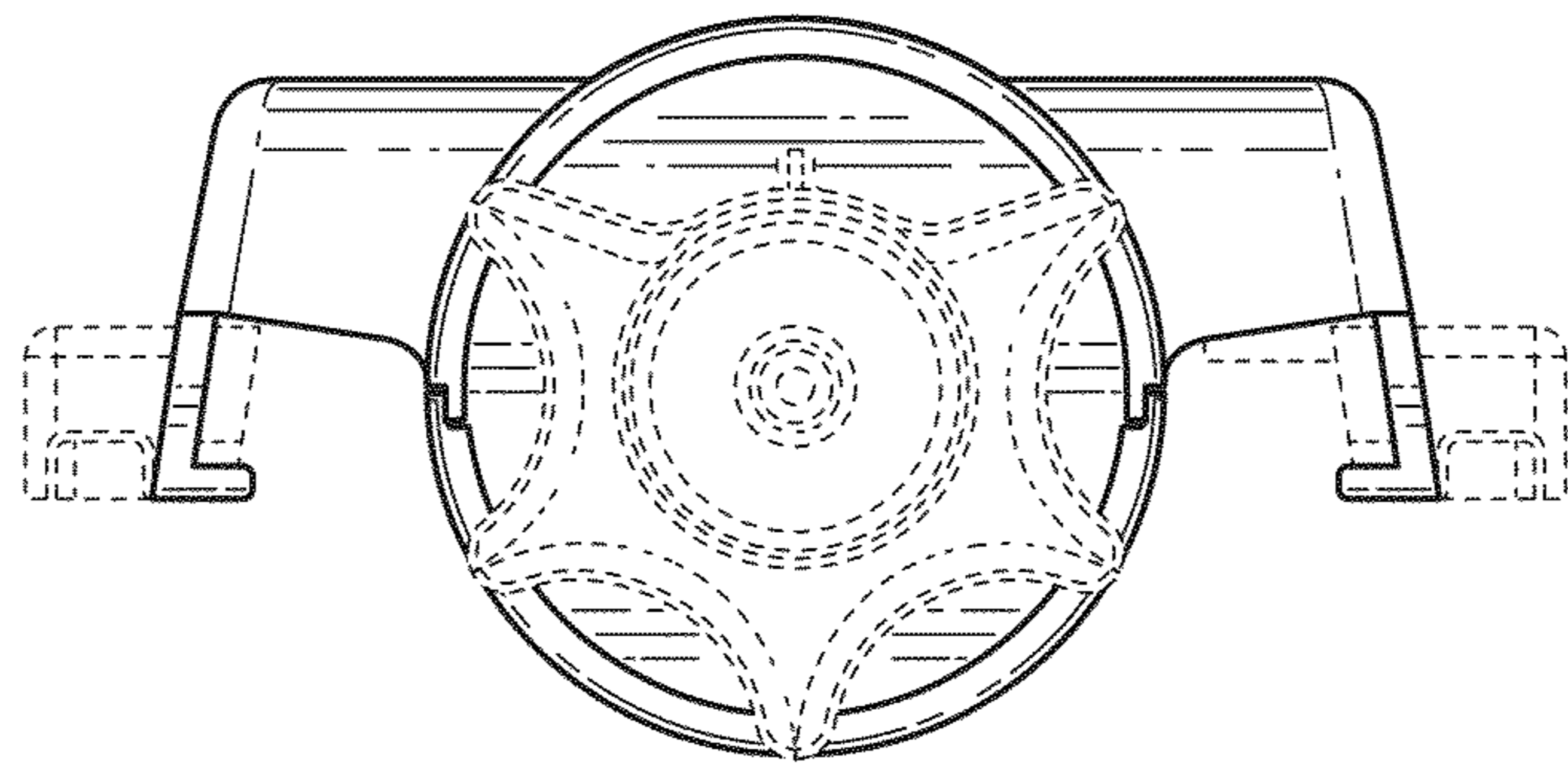


FIG. 7

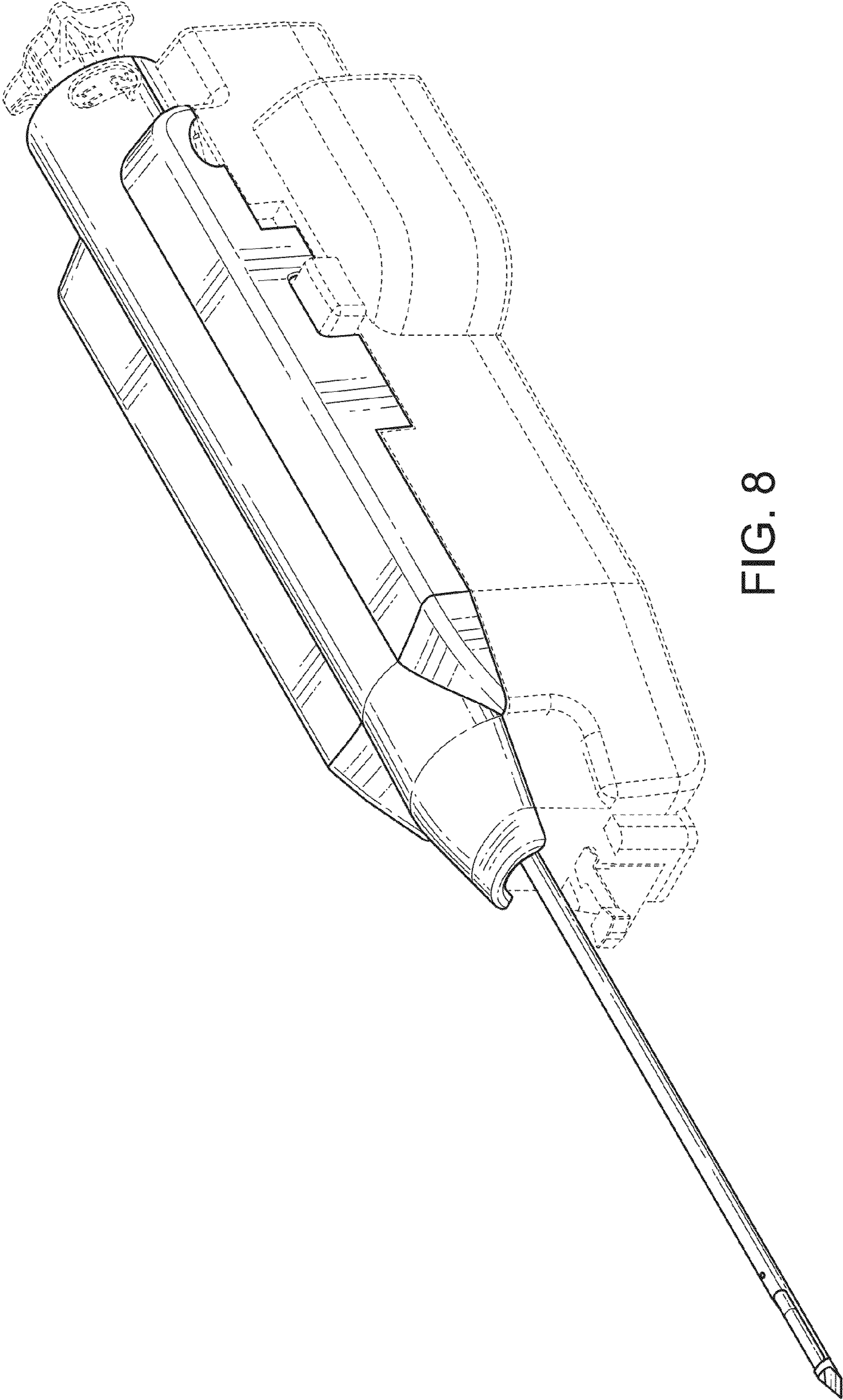


FIG. 8