



US00D744646S

(12) **United States Design Patent**
Nering et al.

(10) **Patent No.:** **US D744,646 S**
(45) **Date of Patent:** **** Dec. 1, 2015**

(54) **SURGICAL FASTENER**
(71) Applicant: **Ethicon, Inc.**, Somerville, NJ (US)
(72) Inventors: **Robert Nering**, Stockton, NJ (US);
Simon Cohn, Lebanon, NJ (US);
Anthony Miksza, Nazareth, PA (US);
Matthew David Daniel, Ann Arbor, MI
(US); **Jeremy David Jarrett**, Cincinnati,
OH (US)

4,090,337 A 5/1978 Szekeres
4,220,070 A 9/1980 Anstett
4,235,238 A 11/1980 Ogiu et al.
4,325,376 A 4/1982 Klieman et al.
4,428,376 A 1/1984 Mericle
4,450,998 A 5/1984 Ruskin
4,454,875 A 6/1984 Pratt et al.

(Continued)

(73) Assignee: **Ethicon, Inc.**, Somerville, NJ (US)

(**) Term: **14 Years**

(21) Appl. No.: **29/459,660**

(22) Filed: **Jul. 2, 2013**

EP 432320 6/1991
EP 0770354 5/1997

(Continued)

FOREIGN PATENT DOCUMENTS

OTHER PUBLICATIONS

Easy-Lap iMesh Tacker, www.easy-lap.com, 2011, 1 p.

(Continued)

Related U.S. Application Data

(63) Continuation-in-part of application No. 12/464,143,
filed on May 12, 2009.

(51) **LOC (10) Cl.** **24-02**

(52) **U.S. Cl.**
USPC **D24/145**

(58) **Field of Classification Search**
USPC D24/145; 606/60, 75, 219, 213, 215,
606/220, 142, 151, 139, 143; 227/902;
411/457, 920

See application file for complete search history.

Primary Examiner — Wan Laymon

(74) *Attorney, Agent, or Firm* — Doherty IP Law Group LLC

(57) **CLAIM**

The ornamental design for a surgical fastener, as shown and described.

DESCRIPTION

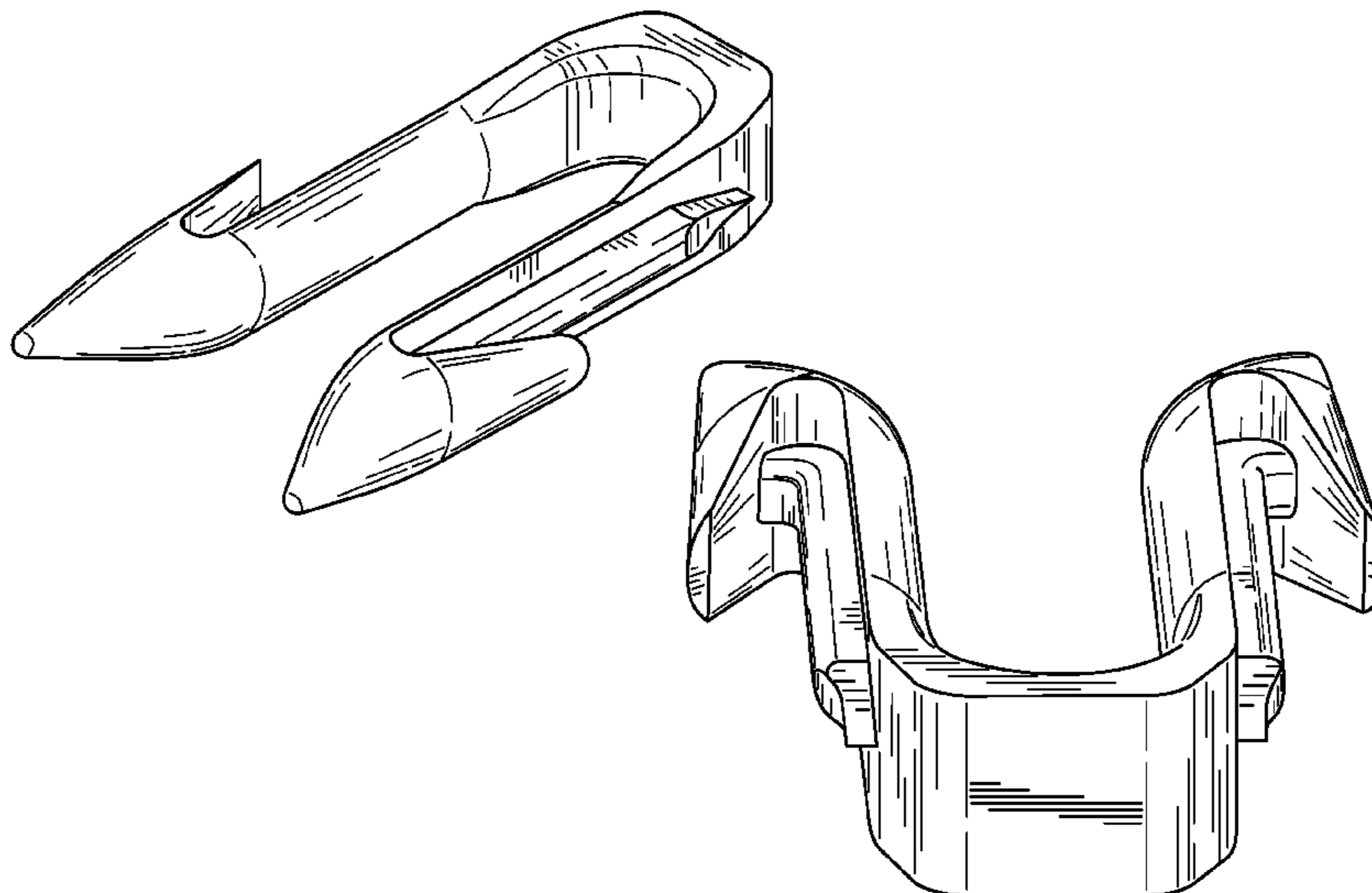
FIG. 1 is a perspective view of a surgical fastener, showing our new design;
FIG. 2 is a top plan view of the surgical fastener shown in FIG. 1;
FIG. 3 is a right side view of the surgical fastener shown in FIG. 1;
FIG. 4 is a left side view of the surgical fastener shown in FIG. 1;
FIG. 5 is a front elevation view of the surgical fastener shown in FIG. 1; and,
FIG. 6 is a rear perspective view of the surgical fastener shown in FIG. 1.

(56) **References Cited**

U.S. PATENT DOCUMENTS

575,157 A 1/1897 Howell
1,311,903 A 8/1919 Leschander
2,283,814 A 5/1942 LaPlace
2,786,450 A 3/1957 Jacobus et al.
3,236,142 A 2/1966 Bradway
3,740,994 A 6/1973 DeCarlo, Jr.
3,757,629 A 9/1973 Schneider

1 Claim, 3 Drawing Sheets



(56)

References Cited

U.S. PATENT DOCUMENTS

4,471,780 A 9/1984 Menges et al.
 4,478,220 A 10/1984 DiGiovanni et al.
 4,534,350 A 8/1985 Golden et al.
 4,534,352 A 8/1985 Korthoff
 4,548,202 A 10/1985 Duncan
 4,570,623 A 2/1986 Ellison et al.
 D286,442 S 10/1986 Korthoff et al.
 4,624,254 A 11/1986 McGarry et al.
 4,627,437 A 12/1986 Bedi et al.
 4,635,637 A 1/1987 Schreiber
 4,669,473 A 6/1987 Richards et al.
 4,696,300 A 9/1987 Anderson
 4,724,839 A * 2/1988 Bedi et al. 606/220
 4,873,976 A 10/1989 Schreiber
 4,932,960 A * 6/1990 Green et al. 606/220
 4,976,715 A 12/1990 Bays et al.
 5,002,562 A 3/1991 Oberlander
 5,053,038 A 10/1991 Sheehan
 5,104,395 A 4/1992 Thornton et al.
 5,203,864 A 4/1993 Phillips
 5,258,012 A 11/1993 Luscombe et al.
 5,290,297 A 3/1994 Phillips
 5,328,077 A 7/1994 Lou
 5,439,468 A 8/1995 Schulze et al.
 5,443,198 A 8/1995 Viola et al.
 5,470,010 A 11/1995 Rothfuss et al.
 5,520,700 A 5/1996 Beyar et al.
 5,522,797 A 6/1996 Grimm
 5,522,817 A 6/1996 Sander et al.
 5,582,616 A 12/1996 Bolduc et al.
 5,593,421 A 1/1997 Bauer
 5,601,573 A 2/1997 Fogelberg et al.
 D378,409 S 3/1997 Michelson
 5,755,726 A 5/1998 Pratt et al.
 5,810,882 A 9/1998 Bolduc et al.
 5,827,298 A 10/1998 Hart et al.
 5,830,221 A 11/1998 Stein et al.
 5,833,700 A 11/1998 Fogelberg et al.
 5,843,084 A 12/1998 Hart et al.
 5,921,997 A 7/1999 Fogelberg et al.
 5,951,574 A 9/1999 Stefanchik et al.
 5,993,476 A 11/1999 Groiso
 5,997,552 A 12/1999 Person et al.
 6,083,242 A 7/2000 Cook
 6,296,643 B1 10/2001 Hopf et al.
 6,299,613 B1 10/2001 Ogilvie et al.
 6,325,805 B1 12/2001 Ogilvie et al.
 6,425,900 B1 7/2002 Knodel et al.
 6,616,669 B2 9/2003 Ogilvie et al.
 6,666,872 B2 12/2003 Barreiro et al.
 6,716,226 B2 4/2004 Sixto et al.
 6,773,437 B2 8/2004 Ogilvie et al.
 6,779,701 B2 8/2004 Bailly
 7,104,999 B2 9/2006 Overaker
 7,105,010 B2 9/2006 Hart et al.
 7,112,214 B2 9/2006 Peterson et al.
 8,518,055 B1 * 8/2013 Cardinale et al. 606/139
 8,579,920 B2 11/2013 Nering et al.
 D698,021 S * 1/2014 Nering et al. D24/145
 8,740,919 B2 * 6/2014 Straehnz et al. 606/143
 8,920,439 B2 * 12/2014 Cardinale et al. 606/142

9,055,945 B2 * 6/2015 Miksza et al. 1/1
 2002/0068947 A1 6/2002 Kuhns et al.
 2002/0156500 A1 10/2002 Storz-Irion et al.
 2004/0034357 A1 2/2004 Beane et al.
 2004/0138705 A1 7/2004 Heino et al.
 2004/0204723 A1 10/2004 Kayan
 2004/0260343 A1 12/2004 Leclair
 2005/0059984 A1 3/2005 Chanduszkco et al.
 2005/0182444 A1 8/2005 Peterson et al.
 2005/0240222 A1 10/2005 Shipp
 2005/0283189 A1 12/2005 Rosenblatt
 2005/0288689 A1 12/2005 Kammerer et al.
 2006/0079913 A1 4/2006 Whitfield et al.
 2007/0088390 A1 4/2007 Paz et al.
 2007/0142838 A1 6/2007 Jordan
 2007/0208358 A1 9/2007 Kayan
 2008/0045978 A1 2/2008 Kuhns et al.
 2008/0065153 A1 3/2008 Allard et al.
 2008/0065154 A1 3/2008 Allard et al.
 2008/0217376 A1 9/2008 Clauson et al.
 2008/0275471 A1 11/2008 Viola
 2009/0030434 A1 1/2009 Paz et al.
 2009/0036903 A1 2/2009 Ino et al.
 2009/0118734 A1 5/2009 Bhatnagar et al.
 2010/0270354 A1 10/2010 Rimer et al.
 2010/0292710 A1 11/2010 Daniel et al.
 2010/0292712 A1 11/2010 Cohn et al.
 2010/0292713 A1 11/2010 Cohn et al.
 2010/0292715 A1 11/2010 Nering et al.
 2010/0327042 A1 12/2010 Amid et al.
 2011/0079627 A1 4/2011 Cardinale et al.
 2012/0071566 A1 3/2012 Kelly et al.
 2012/0175401 A1 7/2012 Bachman
 2013/0153627 A1 6/2013 Euteneuer et al.
 2013/0153628 A1 6/2013 Euteneuer
 2013/0218177 A1 8/2013 Miksza et al.
 2013/0245642 A1 * 9/2013 Souls et al. 606/139
 2014/0276968 A1 * 9/2014 Miksza et al. 606/139
 2015/0080919 A1 * 3/2015 Nering et al. 606/151

FOREIGN PATENT DOCUMENTS

EP 1090591 6/2001
 EP 1138263 10/2001
 JP 06-233772 8/1994
 WO 9944525 9/1999
 WO 2007011994 1/2007

OTHER PUBLICATIONS

International Search Report for International Application No. PCT/US2010/033956 dated Jul. 22, 2010, 4 pp.
 International Search Report for International Application No. PCT/US2010/033959 dated Aug. 2, 2010, 5 pp.
 International Search Report for International Application No. PCT/US2010/033960 dated Aug. 2, 2010, 5 pp.
 International Search Report for International Application No. PCT/US2010/033963 dated Oct. 22, 2010, 5 pp.
 Covidien ProTack, www.covidien.com, 3 pp (2009).
 Sofradim I-Clip, www.surgicalproductsmag.com, 2 pp (2009).
 Davol PermaSorb, www.bardnordic.com, 4 pp (2009).
 Covidien AbsorbaTacks, www.covidien.com, 2 pp (2009).

* cited by examiner

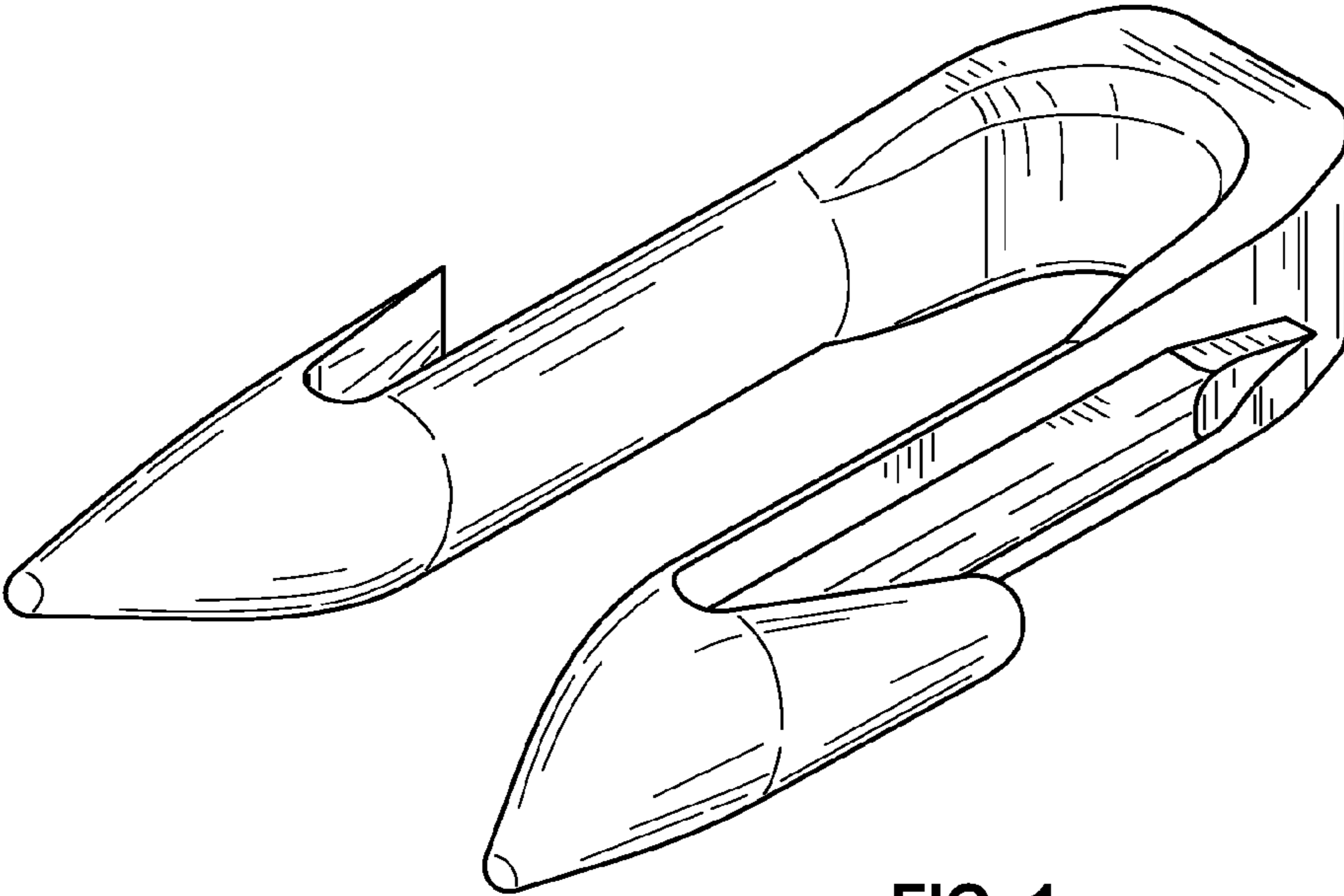


FIG. 1

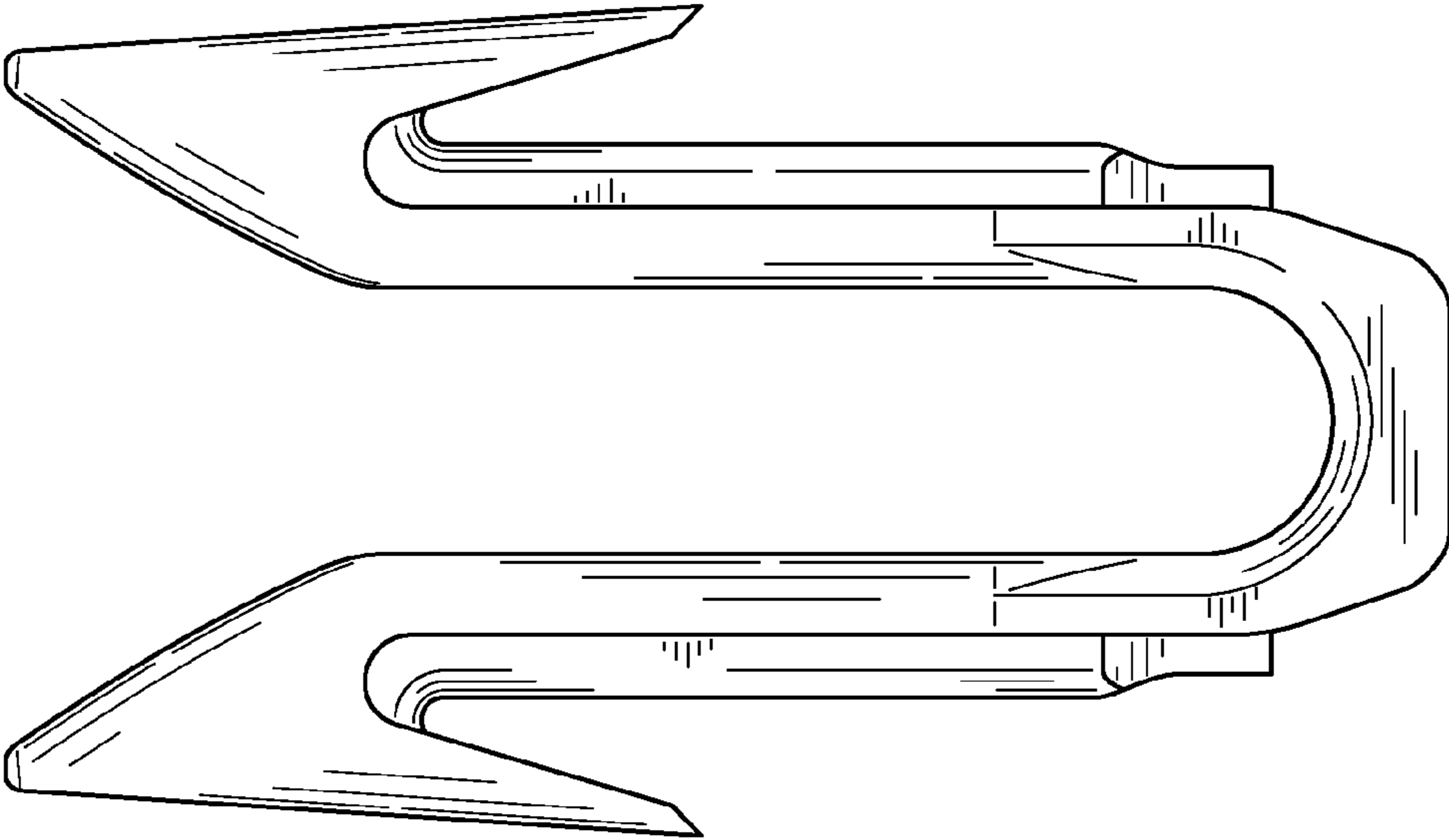


FIG. 2

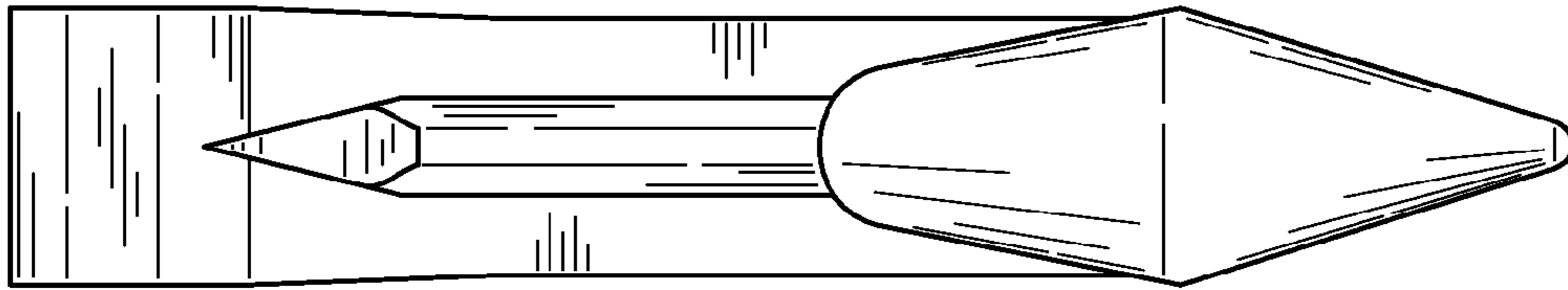


FIG. 3

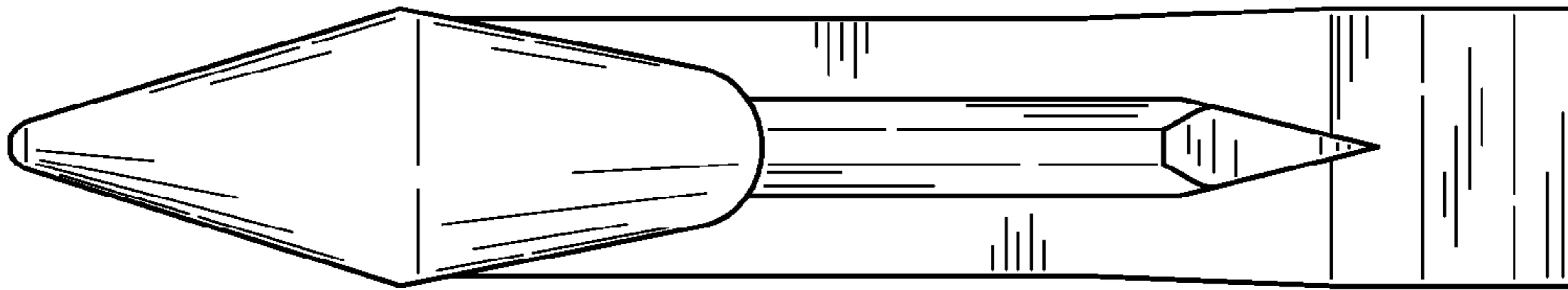


FIG. 4

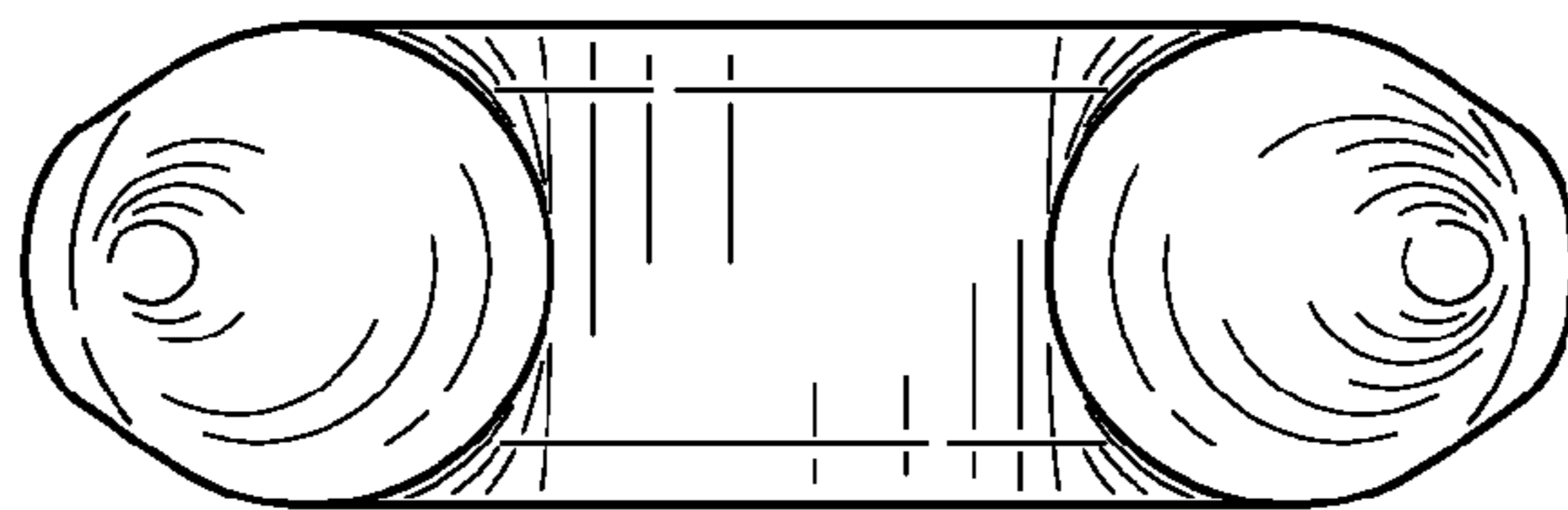


FIG. 5

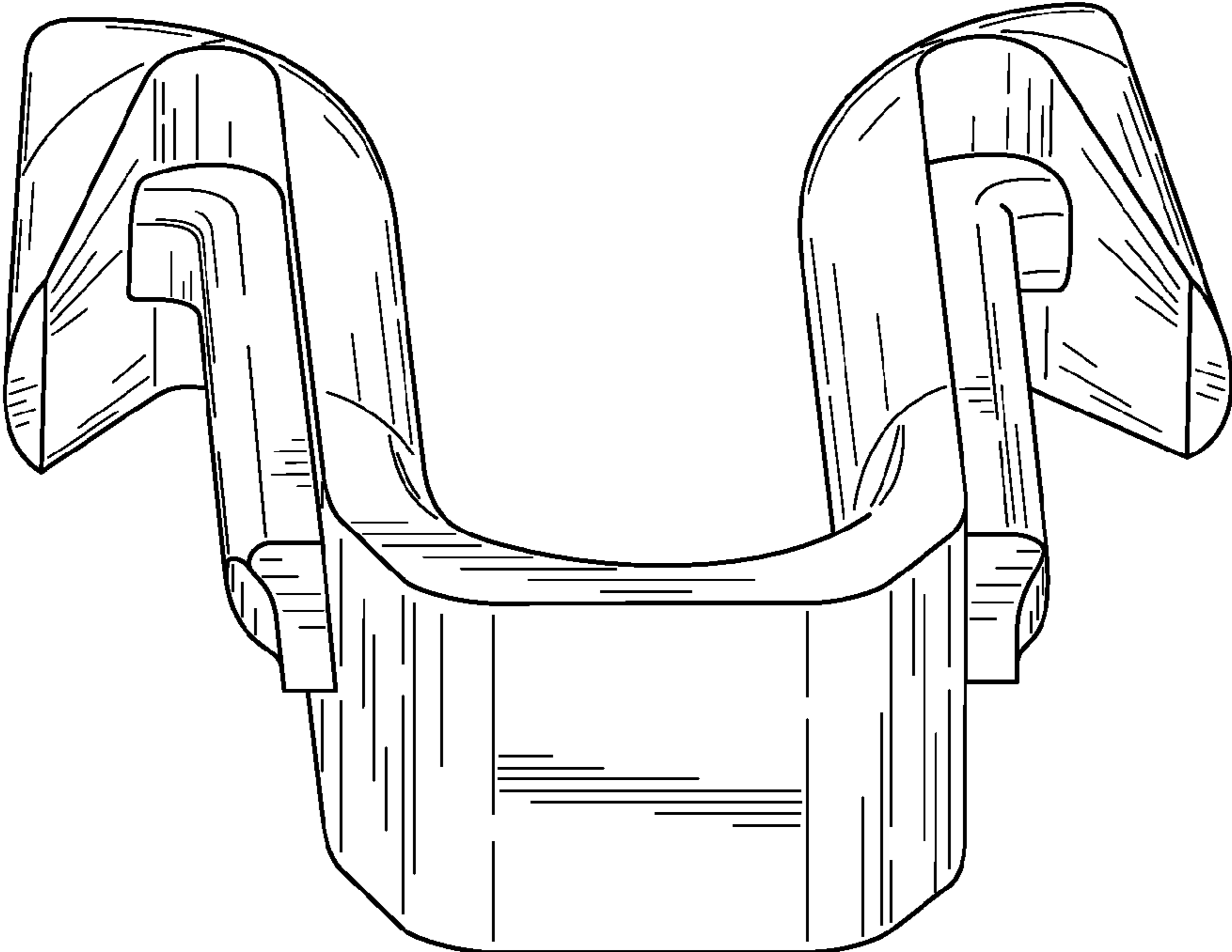


FIG. 6