



US00D744641S

(12) **United States Design Patent**
Aiken

(10) **Patent No.:** **US D744,641 S**

(45) **Date of Patent:** **** Dec. 1, 2015**

- (54) **URINE COLLECTION AID**
- (71) Applicant: **Manuela Aiken**, Mississauga (CA)
- (72) Inventor: **Manuela Aiken**, Mississauga (CA)
- (**) Term: **14 Years**
- (21) Appl. No.: **29/458,443**
- (22) Filed: **Jun. 19, 2013**
- (51) **LOC (10) Cl.** **24-02**
- (52) **U.S. Cl.**
USPC **D24/122**
- (58) **Field of Classification Search**
USPC D24/121-123, 224; D23/274, 302, 295,
D23/309, 200; 4/144.1-144.4, 459, 460;
604/329, 317, 318, 334; 600/573, 574;
D7/700
See application file for complete search history.

D376,201 S *	12/1996	Norton	D24/122
D409,747 S	5/1999	Aiken		
D441,075 S *	4/2001	Nara	D24/122
D449,105 S *	10/2001	Azo	D24/122
D467,338 S *	12/2002	Rehrig	D24/122
D488,226 S *	4/2004	MacDonald et al.	D24/122
D543,274 S *	5/2007	Takahashi	D24/122
7,325,256 B1 *	2/2008	Pecinka, Sr.	4/144.1
D577,435 S *	9/2008	Ivie et al.	D24/122
D607,995 S	1/2010	Miller		

* cited by examiner

Primary Examiner — David Muller

(74) *Attorney, Agent, or Firm* — Dinsmore & Shohl LLP;
Allen M. Krass

(57) **CLAIM**

The ornamental design for a urine collection aid, as shown and described.

DESCRIPTION

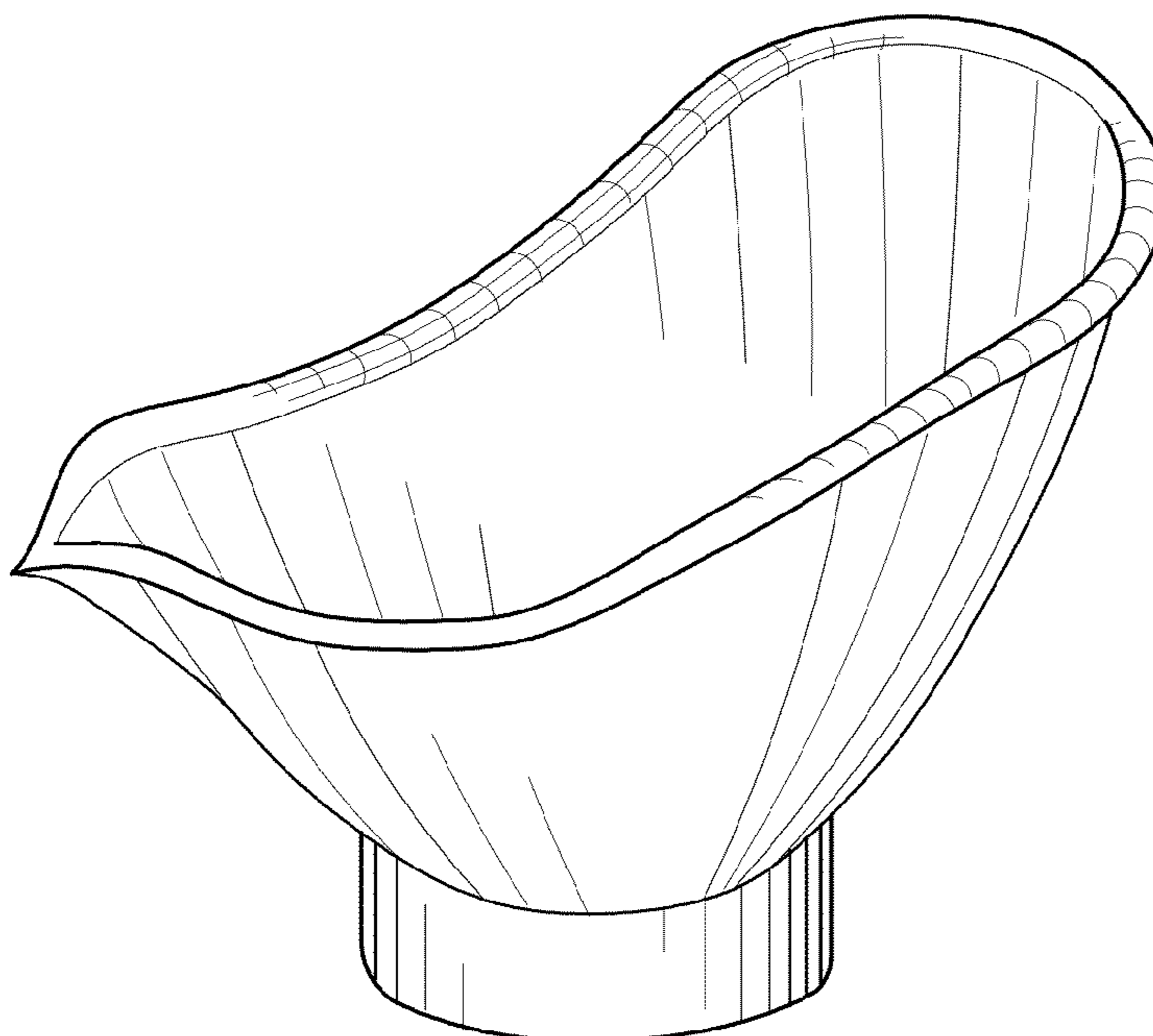
FIG. 1 is a perspective view from the top right side of the urine collection aid;
 FIG. 2 is a perspective view from the bottom right side of the urine collection aid in FIG. 1;
 FIG. 3 is top view of the urine collection aid in FIG. 1;
 FIG. 4 is a side view from the left side of the urine collection aid in FIG. 1;
 FIG. 5 is a side view from the right side of the urine collection aid in FIG. 1;
 FIG. 6 is rear view of the urine collection aid in FIG. 1;
 FIG. 7 is front view of the urine collection aid in FIG. 1; and,
 FIG. 8 is cross-sectional view of the urine collection aid in FIG. 1.

1 Claim, 4 Drawing Sheets

(56) **References Cited**

U.S. PATENT DOCUMENTS

3,711,871 A	1/1973	Sherin		
D227,413 S	6/1973	Sherin		
3,878,571 A	4/1975	Seeley		
D267,118 S	11/1982	Burnett		
D279,312 S	6/1985	Pohlmann		
D287,402 S	12/1986	Orsing		
D290,880 S *	7/1987	Blanton	D24/122
4,846,819 A *	7/1989	Welch	604/329
D303,573 S *	9/1989	Parrish	D24/122
D348,731 S *	7/1994	Crawford	D24/122
D356,865 S *	3/1995	Ivie	D24/122



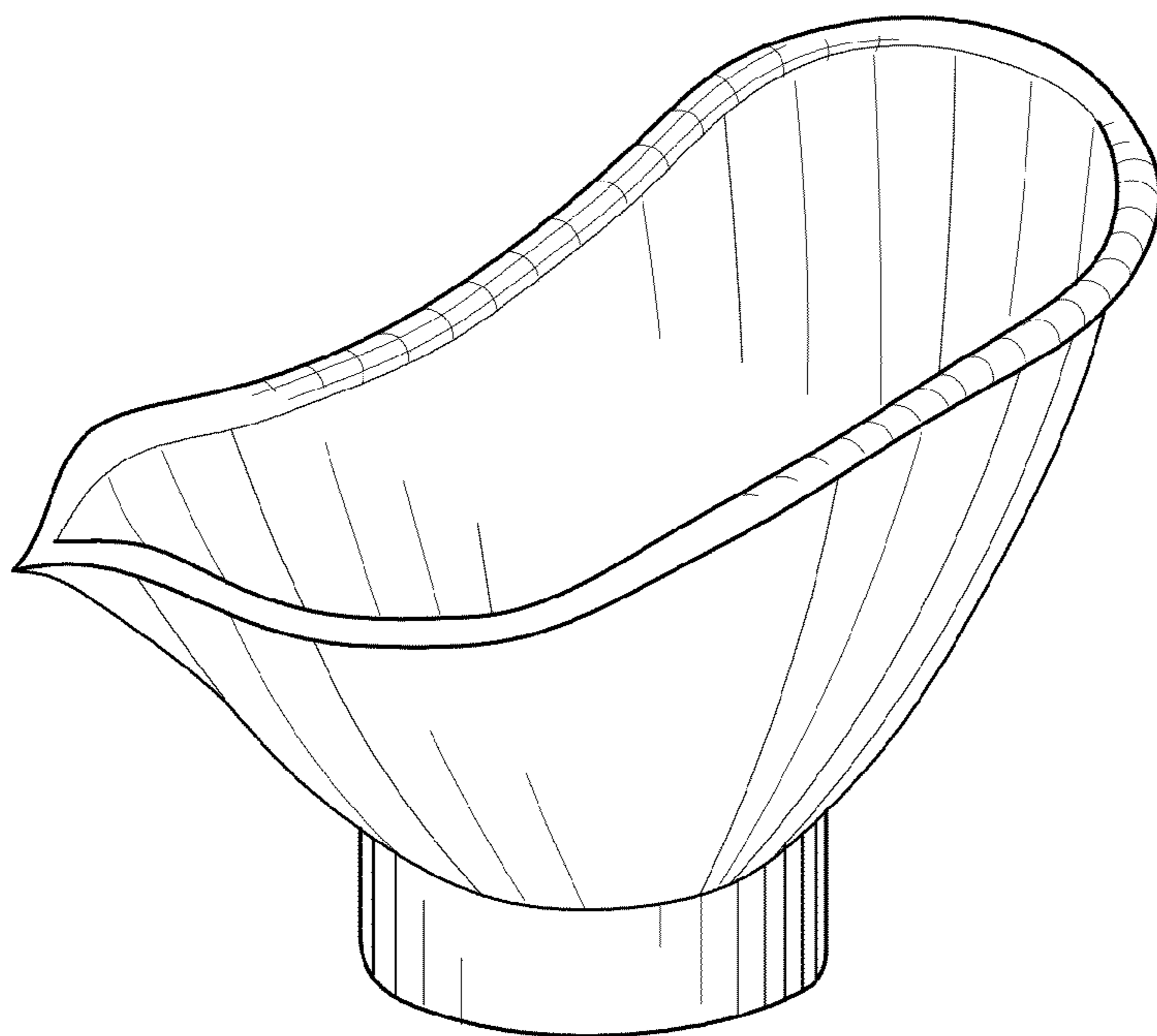


FIG. 1

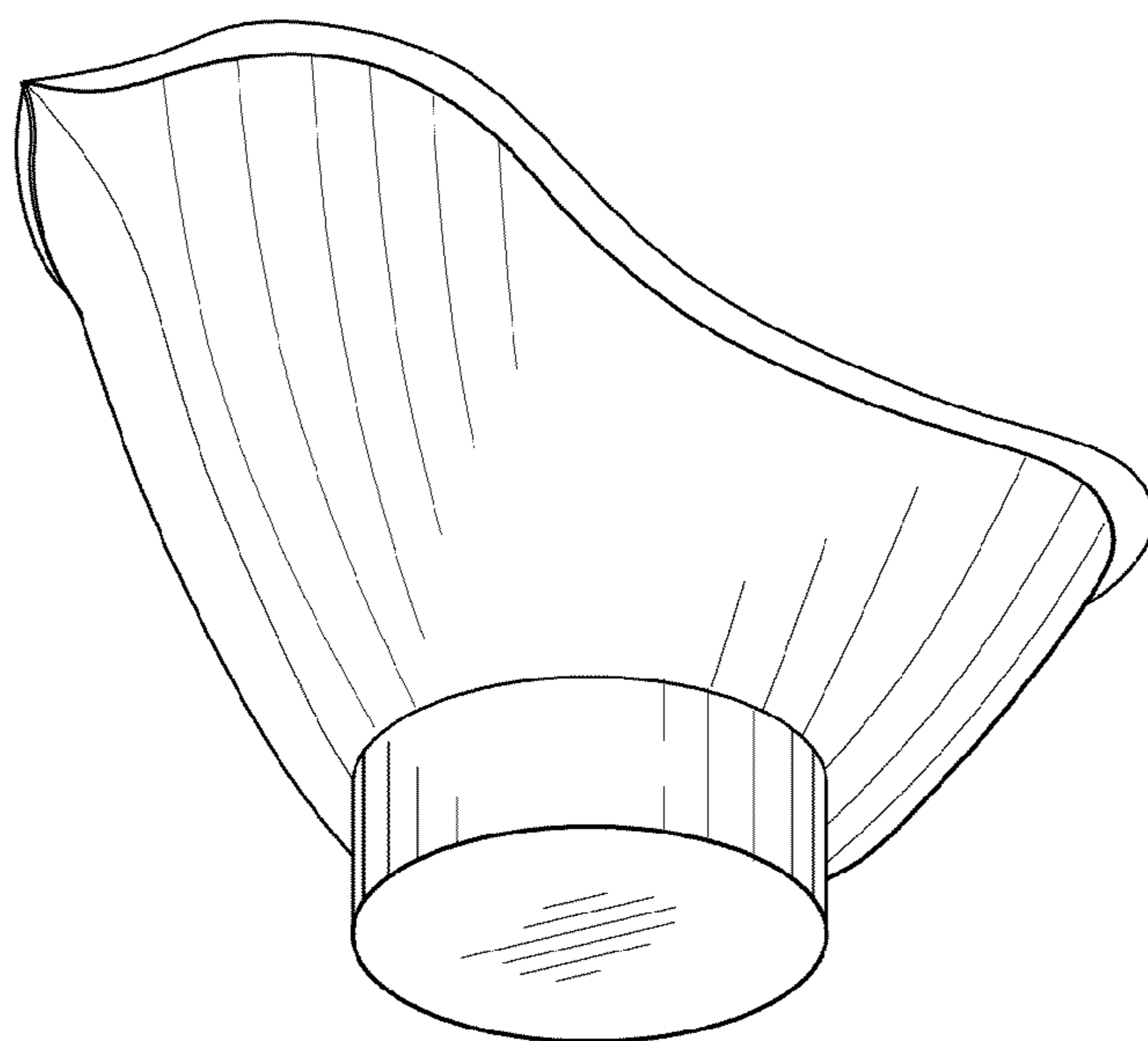


FIG. 2

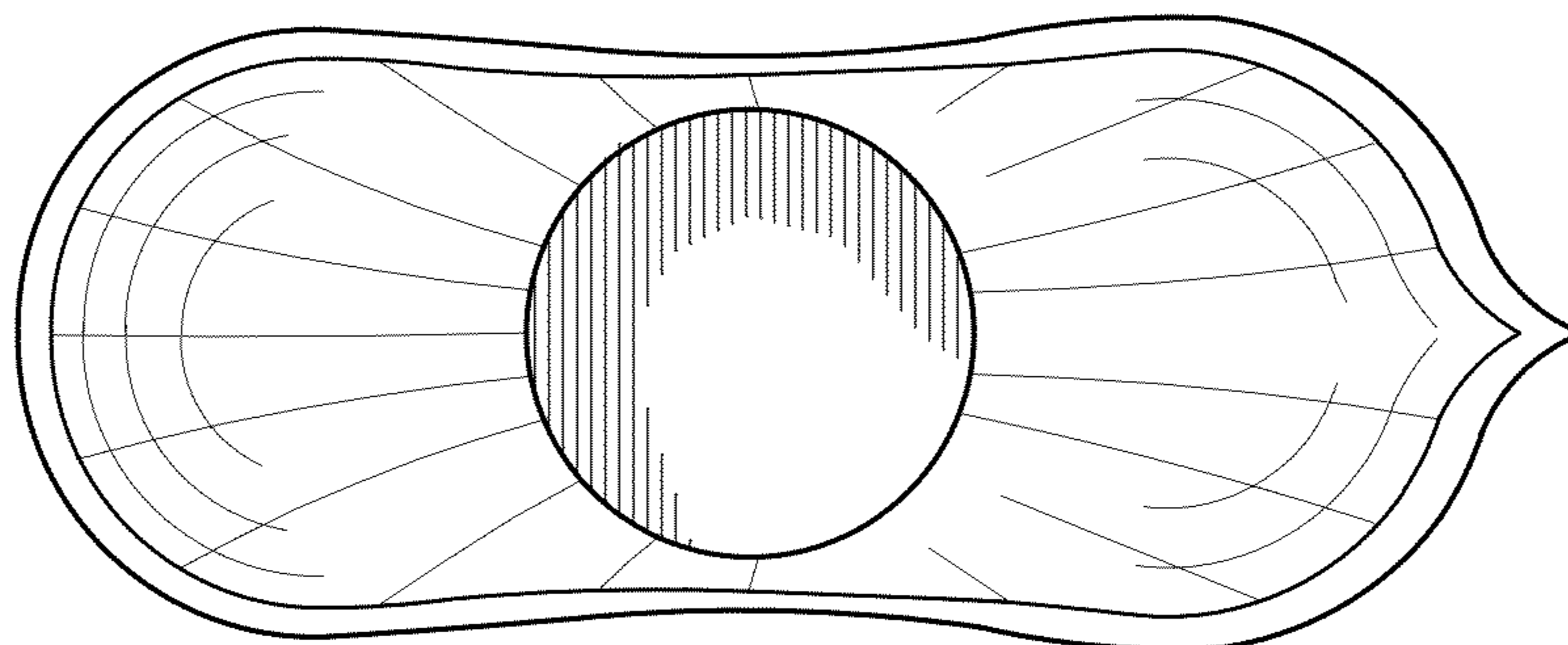


FIG.3

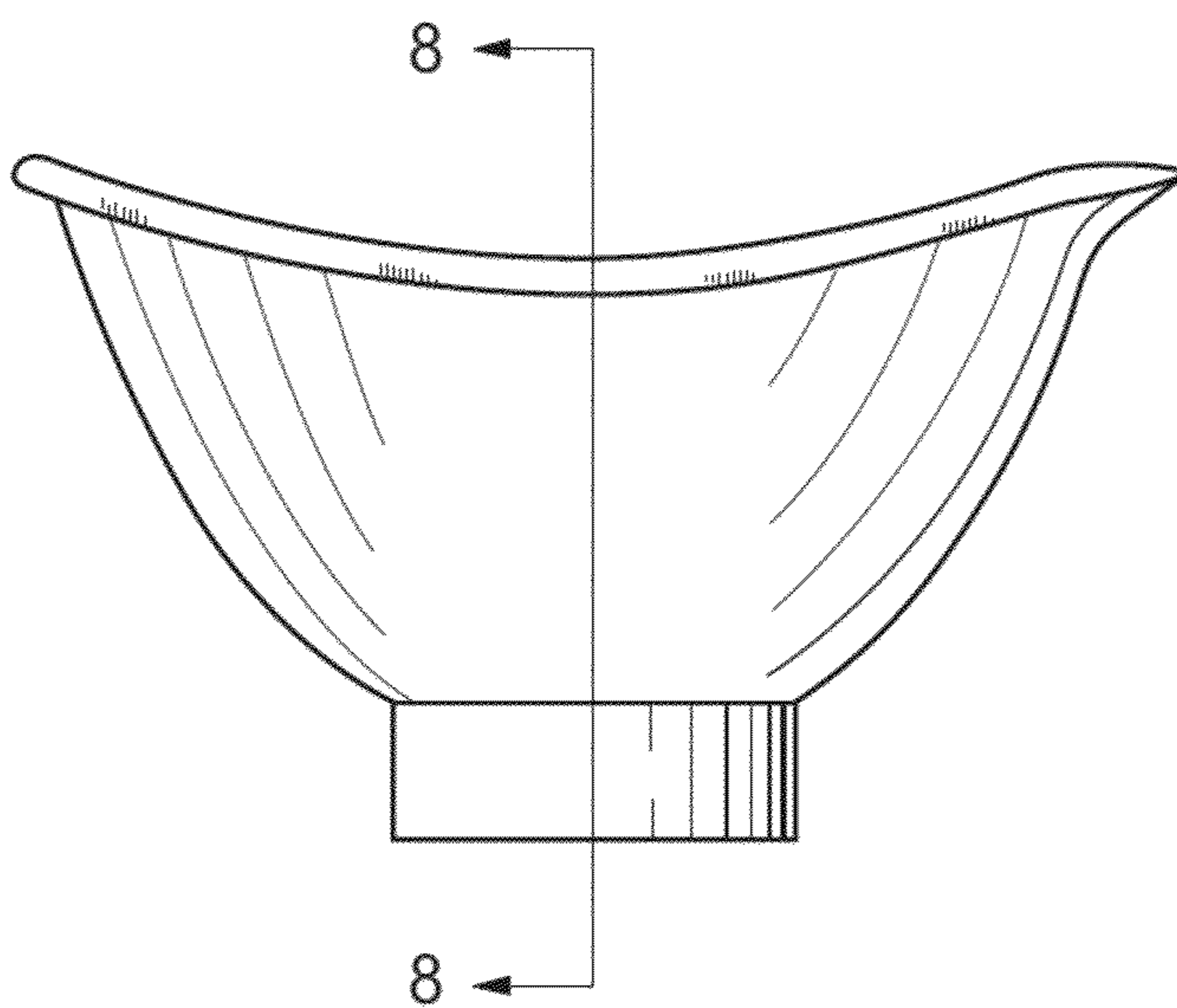


FIG.4

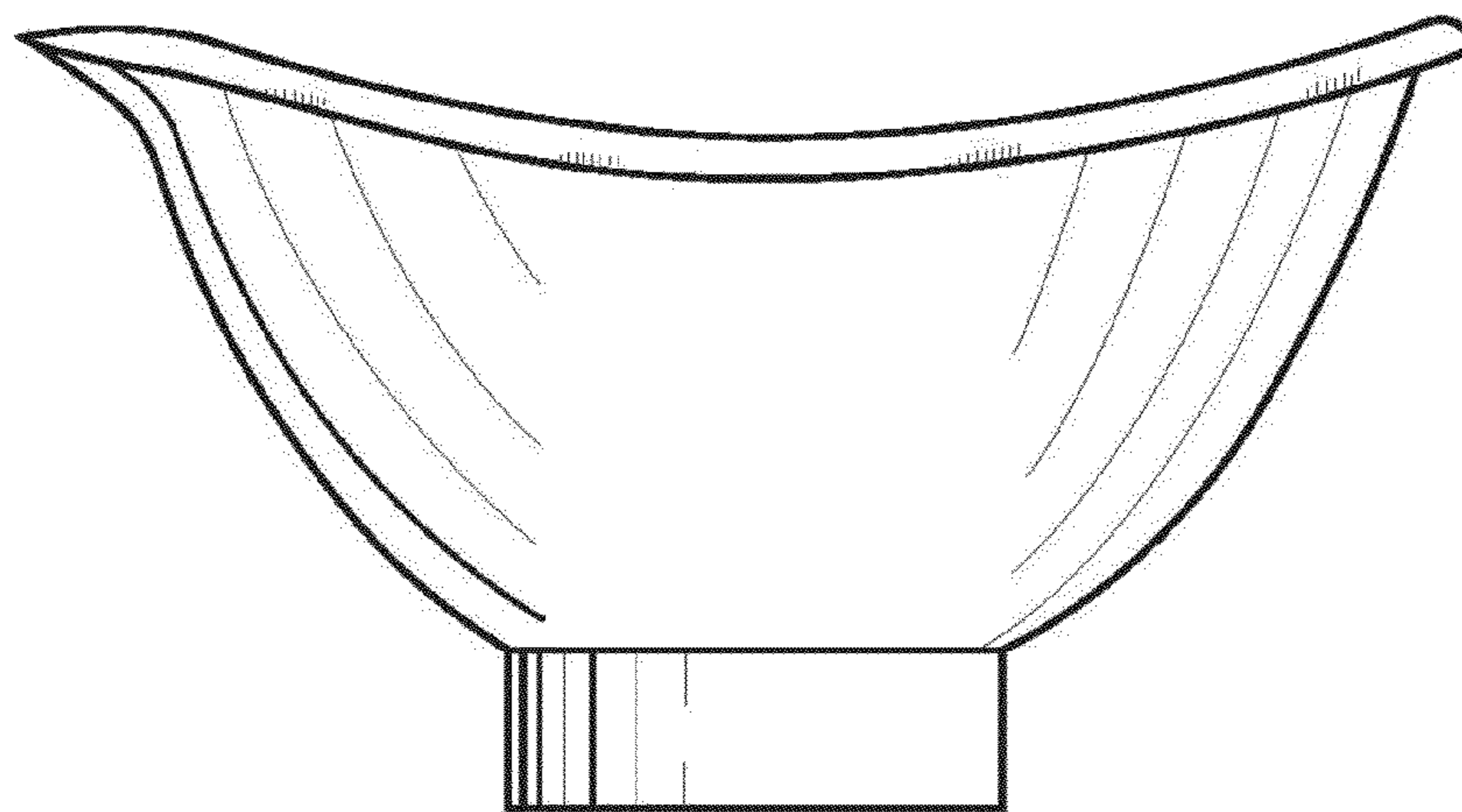


FIG. 5

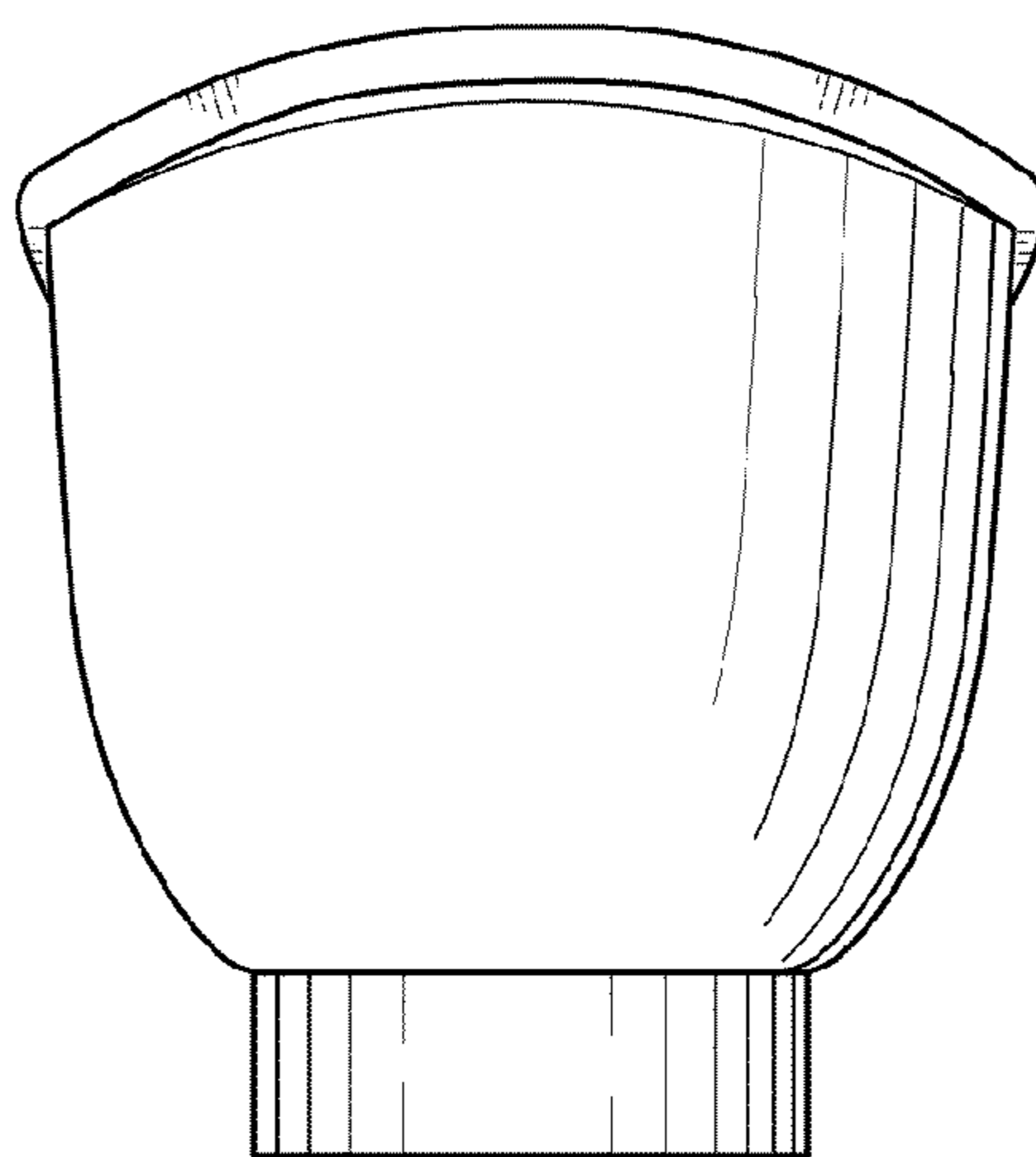


FIG. 6

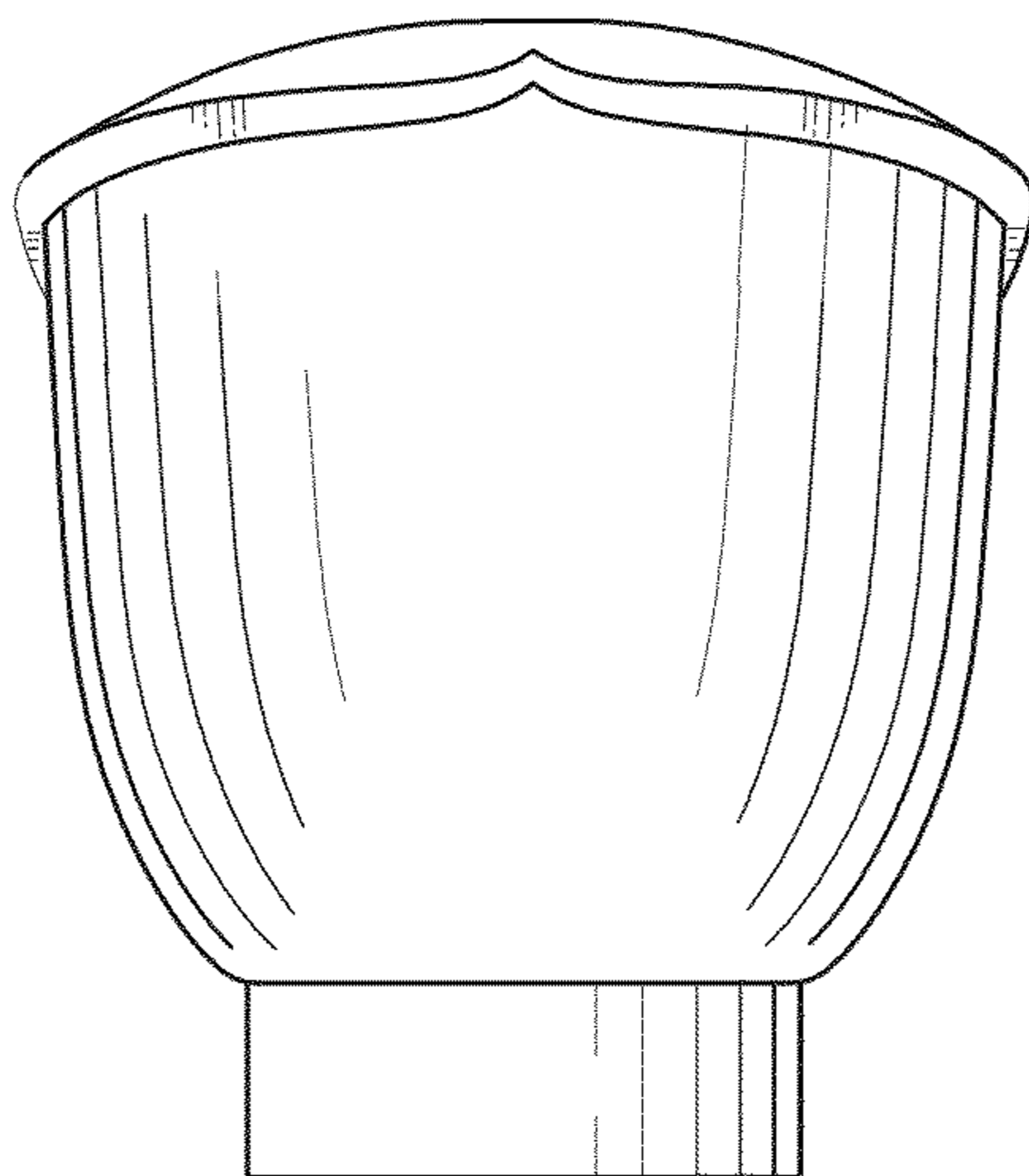


FIG. 7

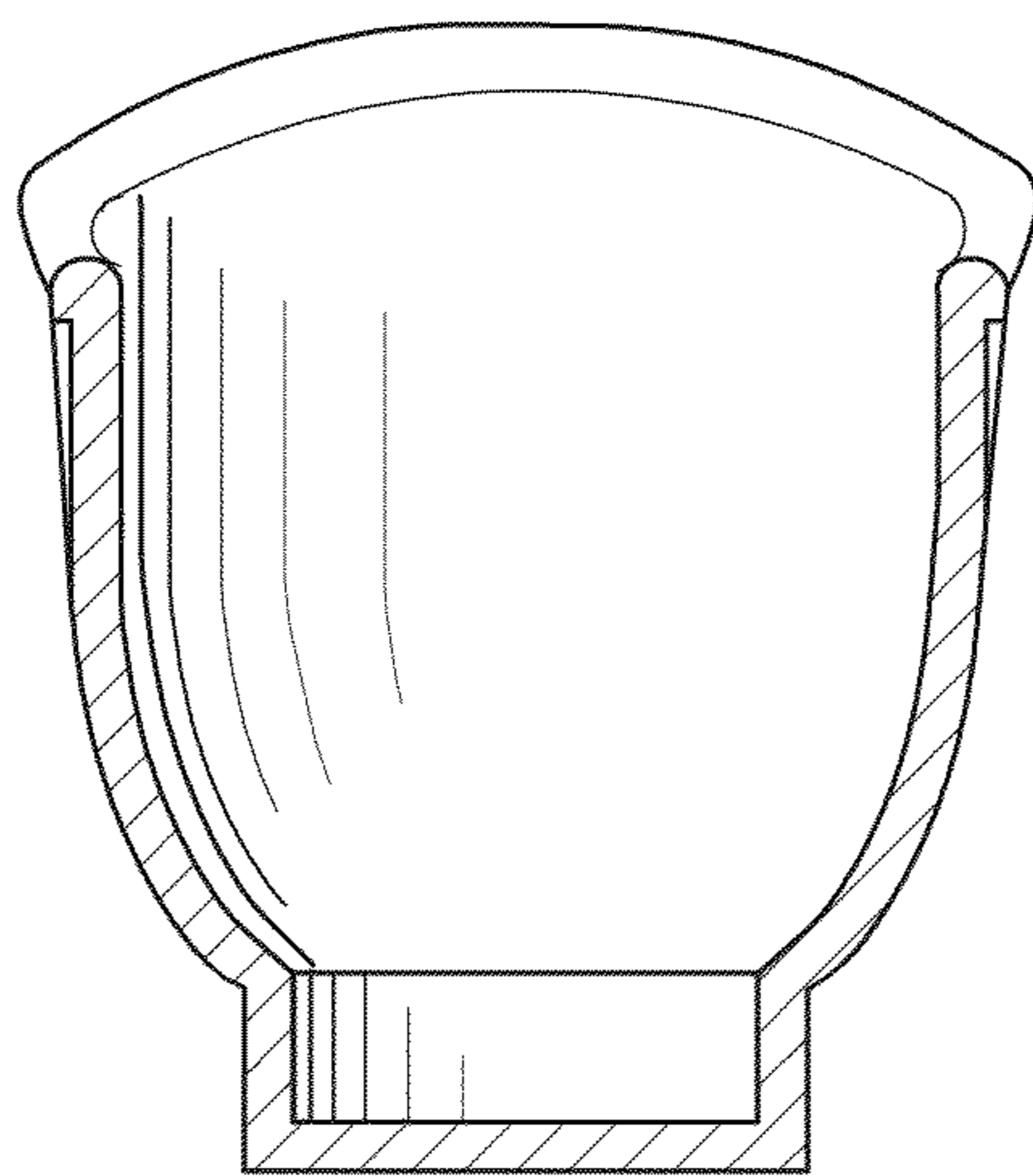


FIG. 8