

US00D744640S

(12) **United States Design Patent**  
**Hsu et al.**

(10) **Patent No.:** **US D744,640 S**  
(45) **Date of Patent:** **\*\* Dec. 1, 2015**

(54) **DOSING SPOON AND HOLDING CLIP ASSEMBLY**

6,399,079 B1 \* 6/2002 Mehta et al. .... 424/400  
D500,850 S 1/2005 Clark et al.  
7,374,046 B1 5/2008 O'Brien  
D589,760 S \* 4/2009 Mozar et al. .... D7/643  
D612,488 S 3/2010 Reay  
8,020,303 B1 9/2011 Marsh

(71) Applicant: **OMS Investments, Inc.**, Los Angeles, CA (US)

(72) Inventors: **Paul Hsu**, Lewis Center, OH (US); **Jay F. Perkins**, Pickerington, OH (US); **Ryan R. Berger**, Columbus, OH (US)

(73) Assignee: **OMS Investments, Inc.**, Los Angeles, CA (US)

(\*\*) Term: **14 Years**

(21) Appl. No.: **29/495,286**

(22) Filed: **Jun. 30, 2014**

(Continued)

**OTHER PUBLICATIONS**

<http://www.booninc.com>; Innovative Modern Baby Products and Stylish Toddler Gear—Boon Inc.; Internet page printed May 19, 2011.

*Primary Examiner* — David Muller

(74) *Attorney, Agent, or Firm* — Hunton & Williams LLP

(57) **CLAIM**

We claim the ornamental design for a dosing spoon and holding clip assembly, as shown and described.

**Related U.S. Application Data**

(62) Division of application No. 29/400,948, filed on Sep. 2, 2011, now Pat. No. Des. 708,318.

(51) **LOC (10) Cl.** ..... **24-02**

(52) **U.S. Cl.**  
USPC ..... **D24/116**

(58) **Field of Classification Search**  
USPC ..... D24/116, 121; 222/192; 30/125, 324  
See application file for complete search history.

**DESCRIPTION**

FIG. 1 depicts a perspective view of a dosing spoon and holding clip assembly in condition of use with unclaimed environmental structure.

FIG. 2 is a front elevation view thereof.

FIG. 3 is a rear elevation view thereof.

FIG. 4 is a side elevation view of thereof.

FIG. 5 is an opposite side elevation view thereof.

FIG. 6 is a top plan view of thereof.

FIG. 7 is a bottom plan view thereof.

FIG. 8 depicts a perspective view of a dosing spoon and holding clip assembly.

FIG. 9 is a top plan view thereof.

FIG. 10 is a bottom plan view thereof.

FIG. 11 is a front elevation view thereof.

FIG. 12 is a rear elevation view thereof.

FIG. 13 is a side elevation view thereof; and,

FIG. 14 is an opposite side elevation view thereof.

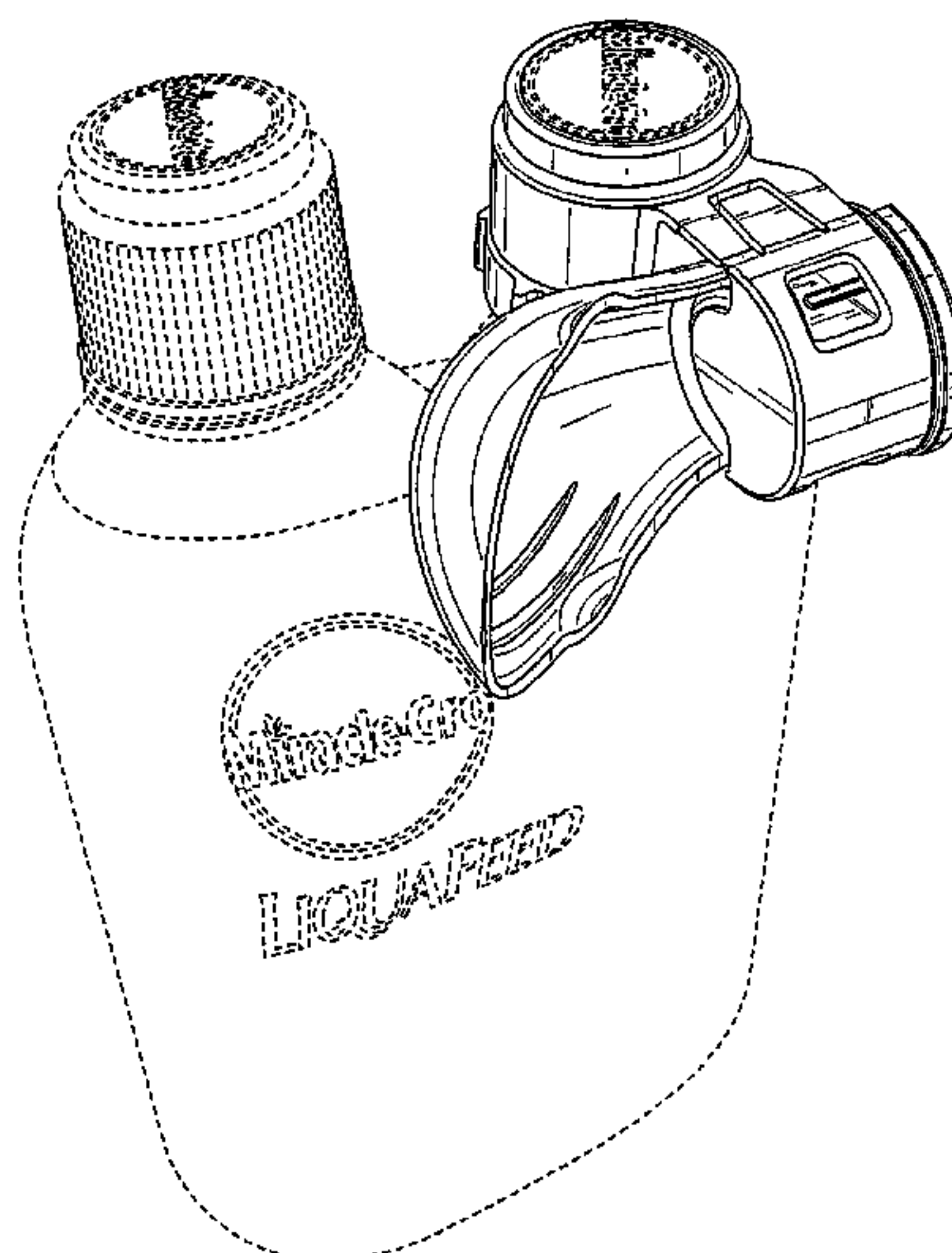
The broken lines in the drawings illustrate environmental structure on the article and form no part of the claimed design.

(56) **References Cited**

**U.S. PATENT DOCUMENTS**

2,837,822	A	6/1958	Wille	
2,953,170	A	9/1960	Bush	
3,071,272	A	1/1963	Doner	
3,246,807	A *	4/1966	Micallef	222/207
4,091,965	A	5/1978	Gebhard	
D256,311	S *	8/1980	Daenen	D10/46.3
4,607,762	A	8/1986	Zulauf et al.	
4,925,066	A	5/1990	Rosenbaum	
4,941,598	A	7/1990	Lambelet, Jr. et al.	
5,377,879	A	1/1995	Isaacs	
6,290,102	B1	9/2001	Jennings et al.	

**1 Claim, 11 Drawing Sheets**



(56)

**References Cited**

U.S. PATENT DOCUMENTS

D648,847 S \* 11/2011 Evans et al. .... D24/116  
8,091,242 B2 \* 1/2012 Teys et al. .... 30/324  
D676,718 S \* 2/2013 Rockwell et al. .... D7/642  
D678,502 S 3/2013 Schmidt et al.

8,505,782 B1 8/2013 Gardiner et al.  
8,523,016 B2 \* 9/2013 Teys ..... 222/107  
D701,355 S \* 3/2014 Yamasaki ..... D30/132  
8,898,912 B2 \* 12/2014 Leffler ..... 30/326  
9,051,073 B2 \* 6/2015 Jennings et al. .... 1/1  
2002/0104856 A1 \* 8/2002 Clark et al. .... 222/633  
2004/0006874 A1 \* 1/2004 Kamm et al. .... 30/141

\* cited by examiner

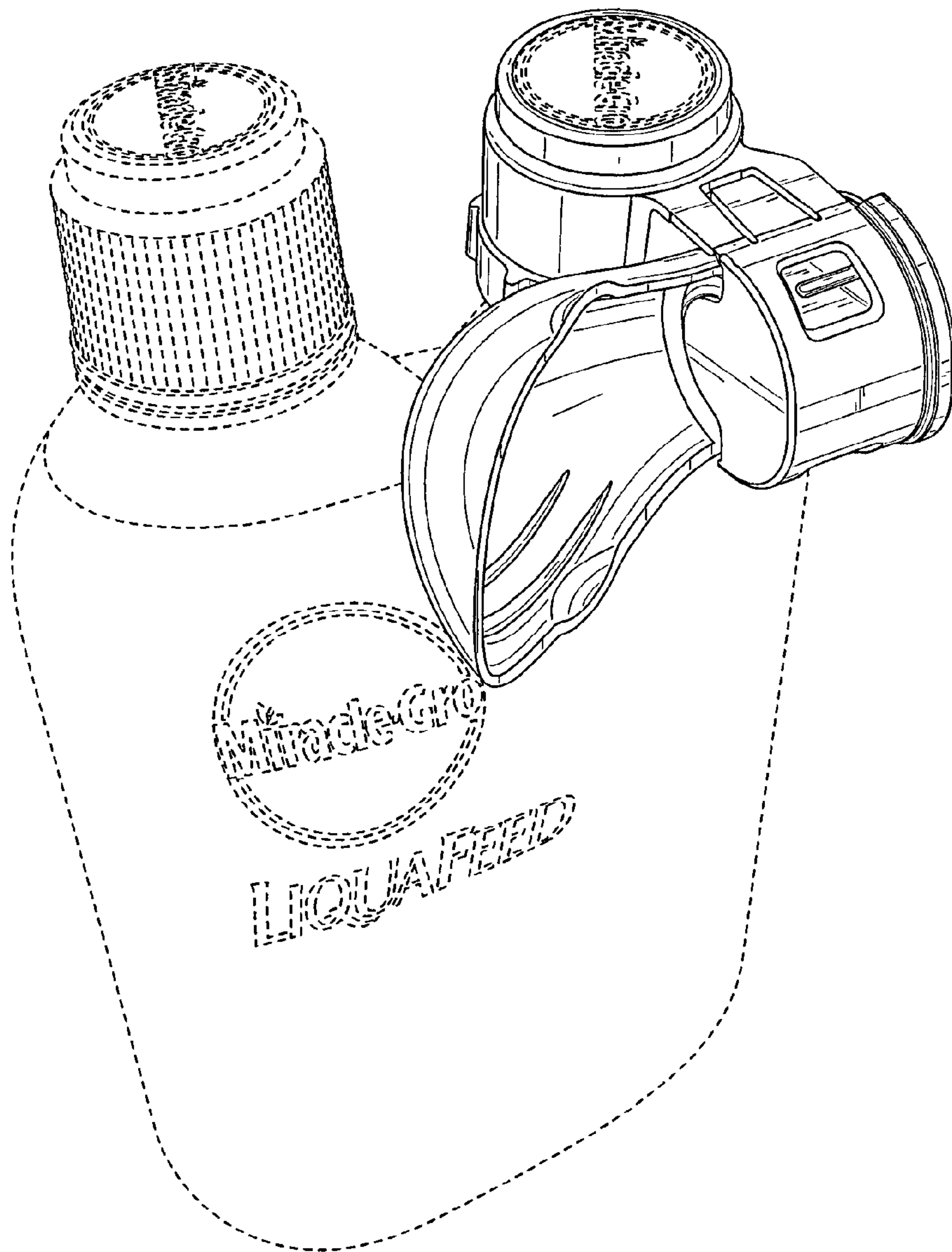


FIG. 1

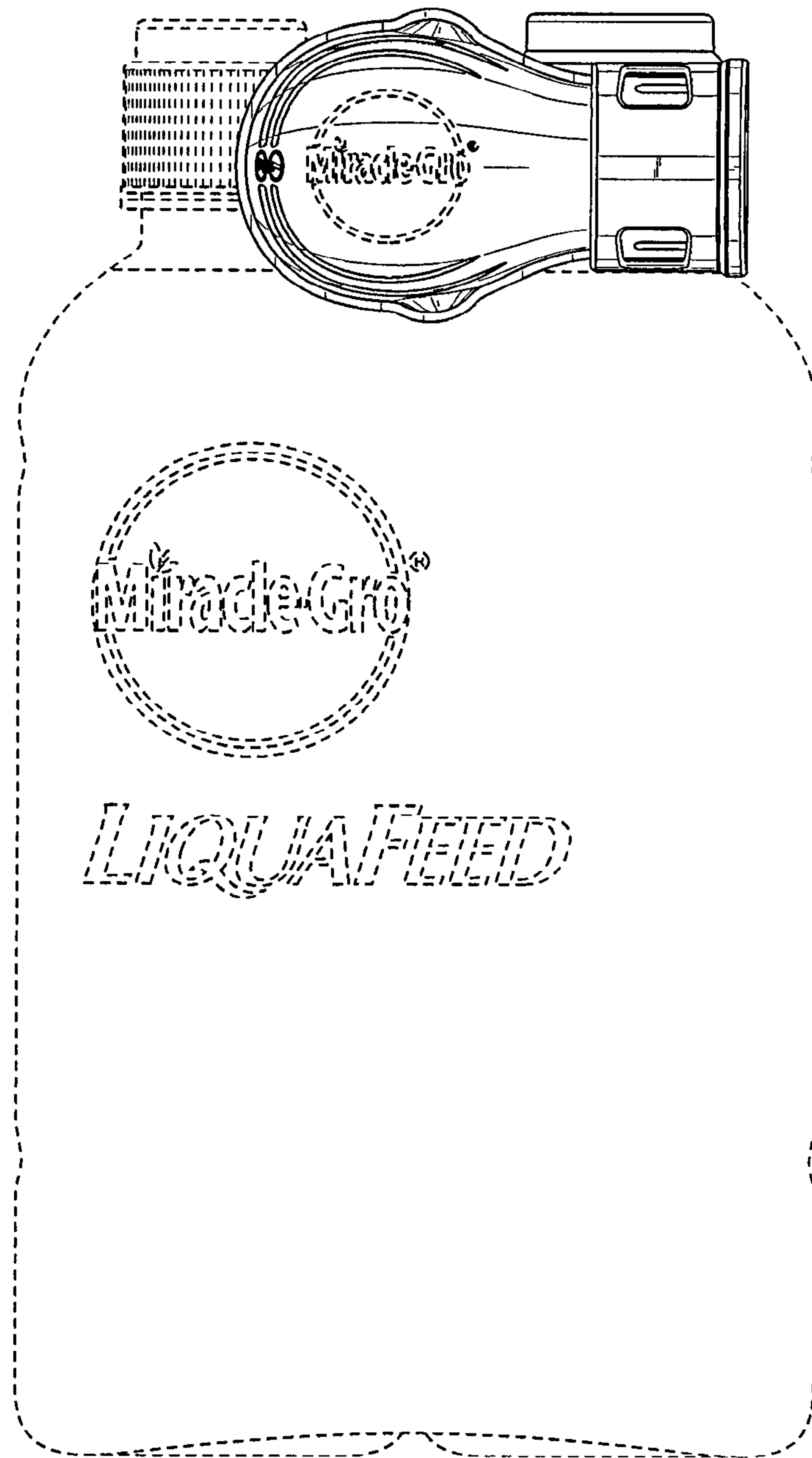


FIG. 2

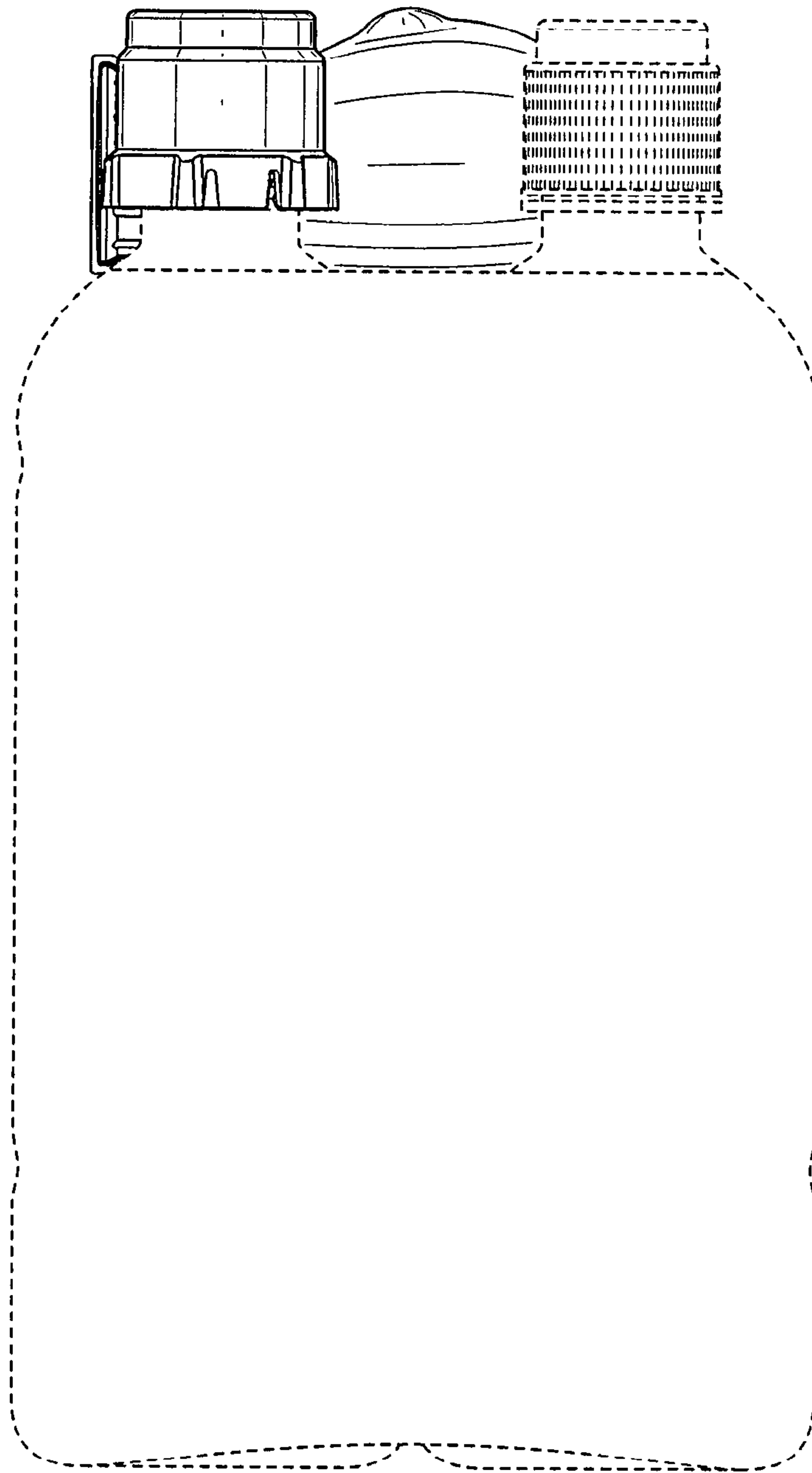


FIG. 3

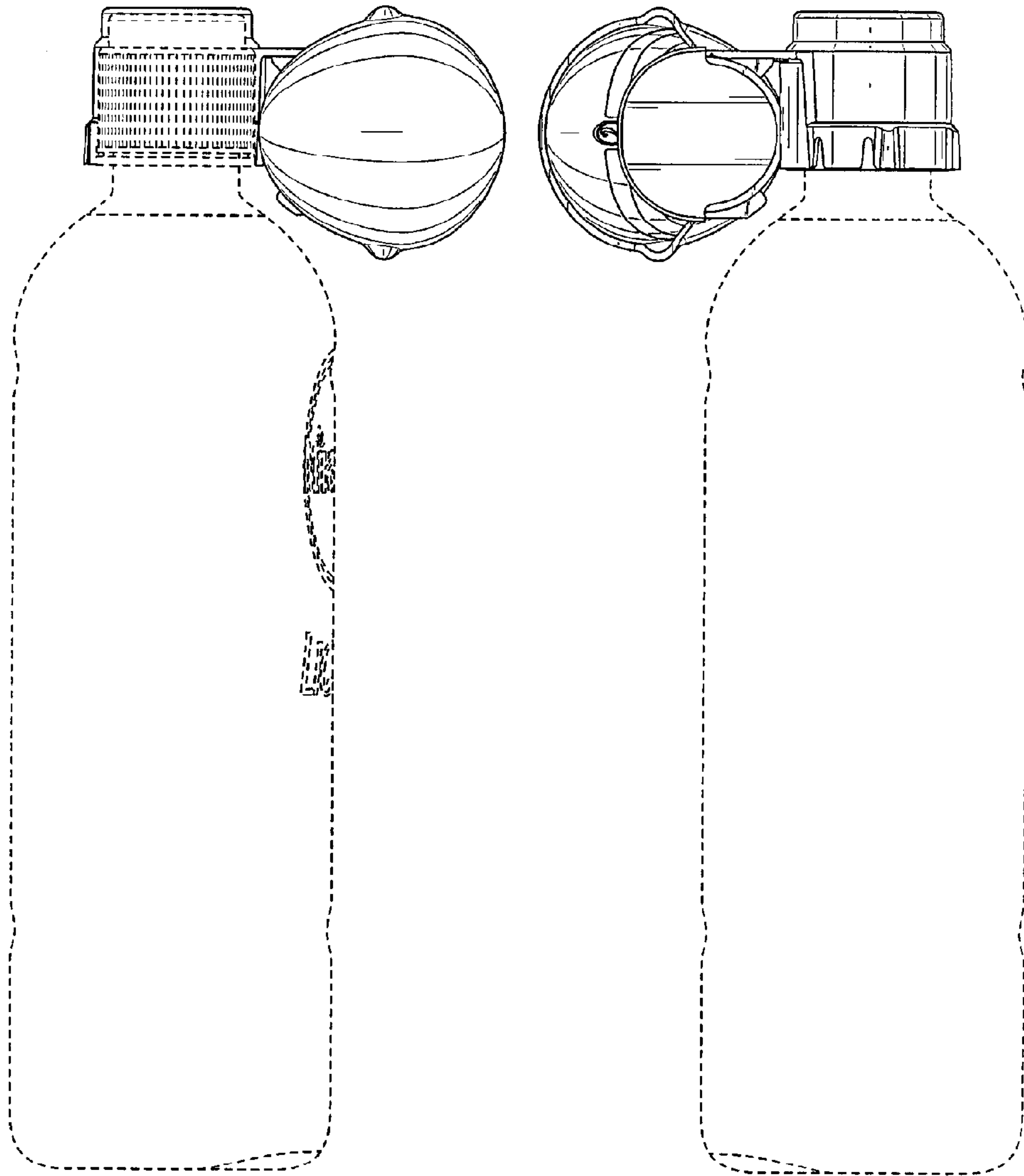


FIG. 4

FIG. 5



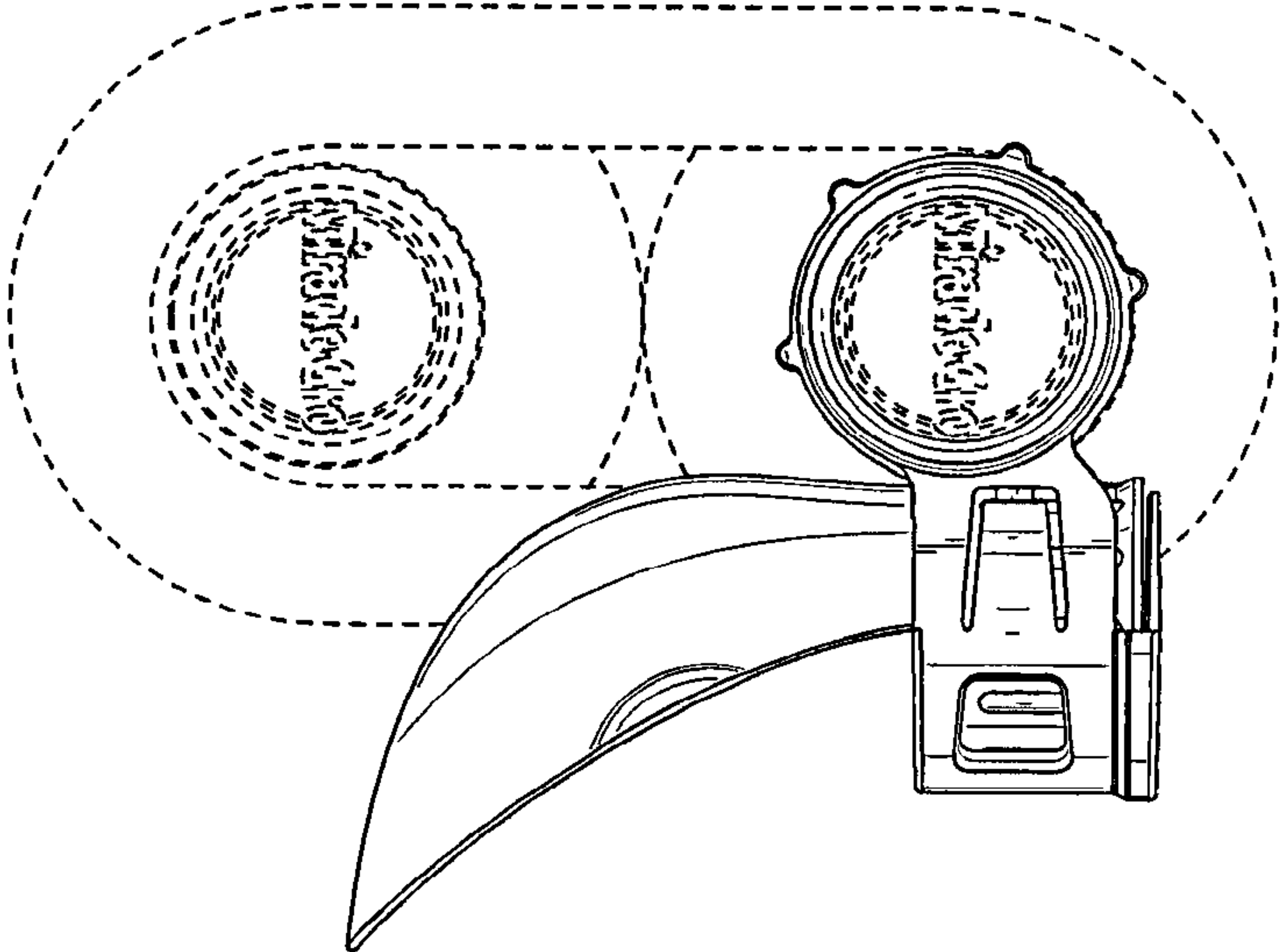


FIG. 6

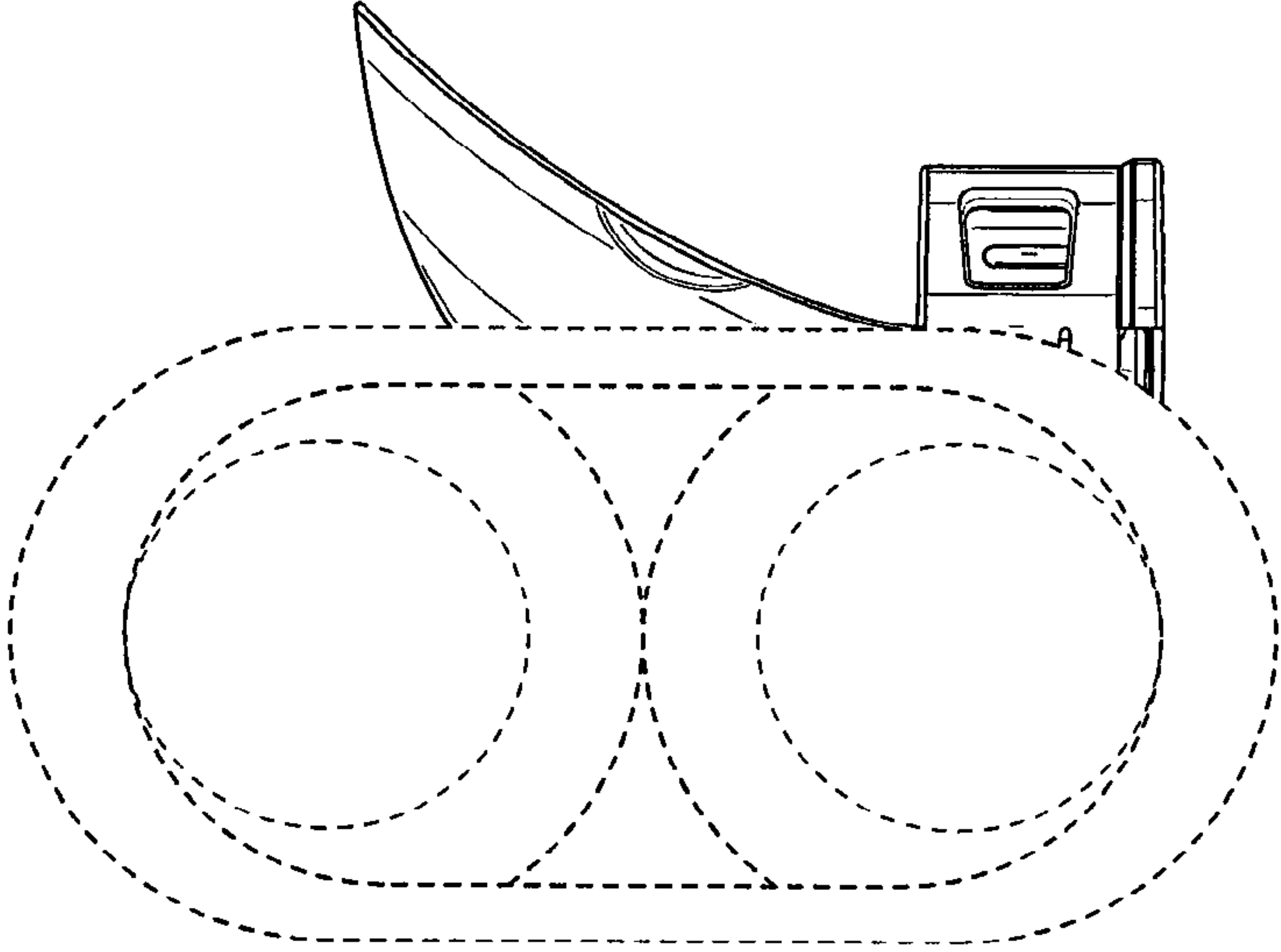


FIG. 7

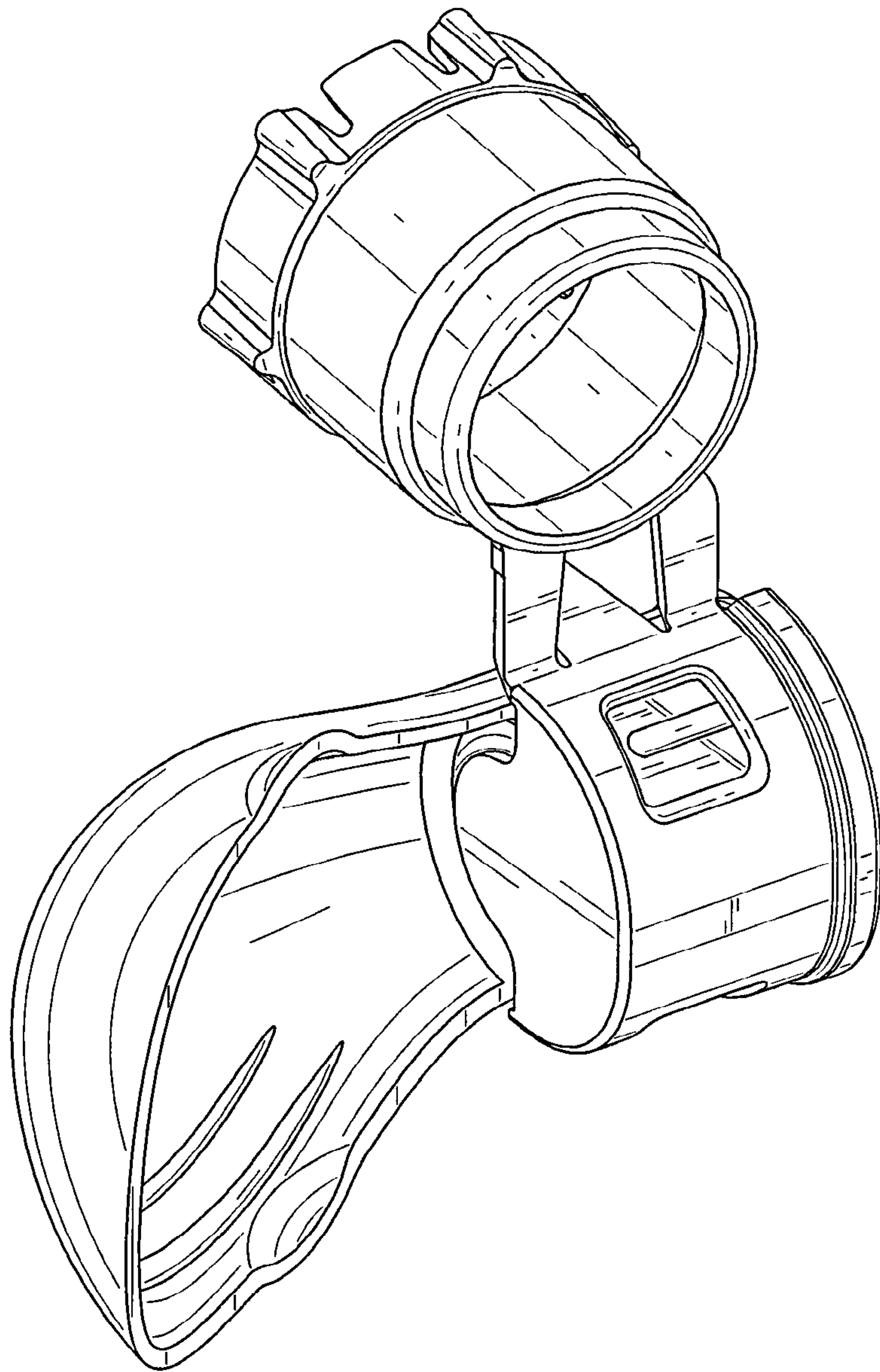


FIG. 8



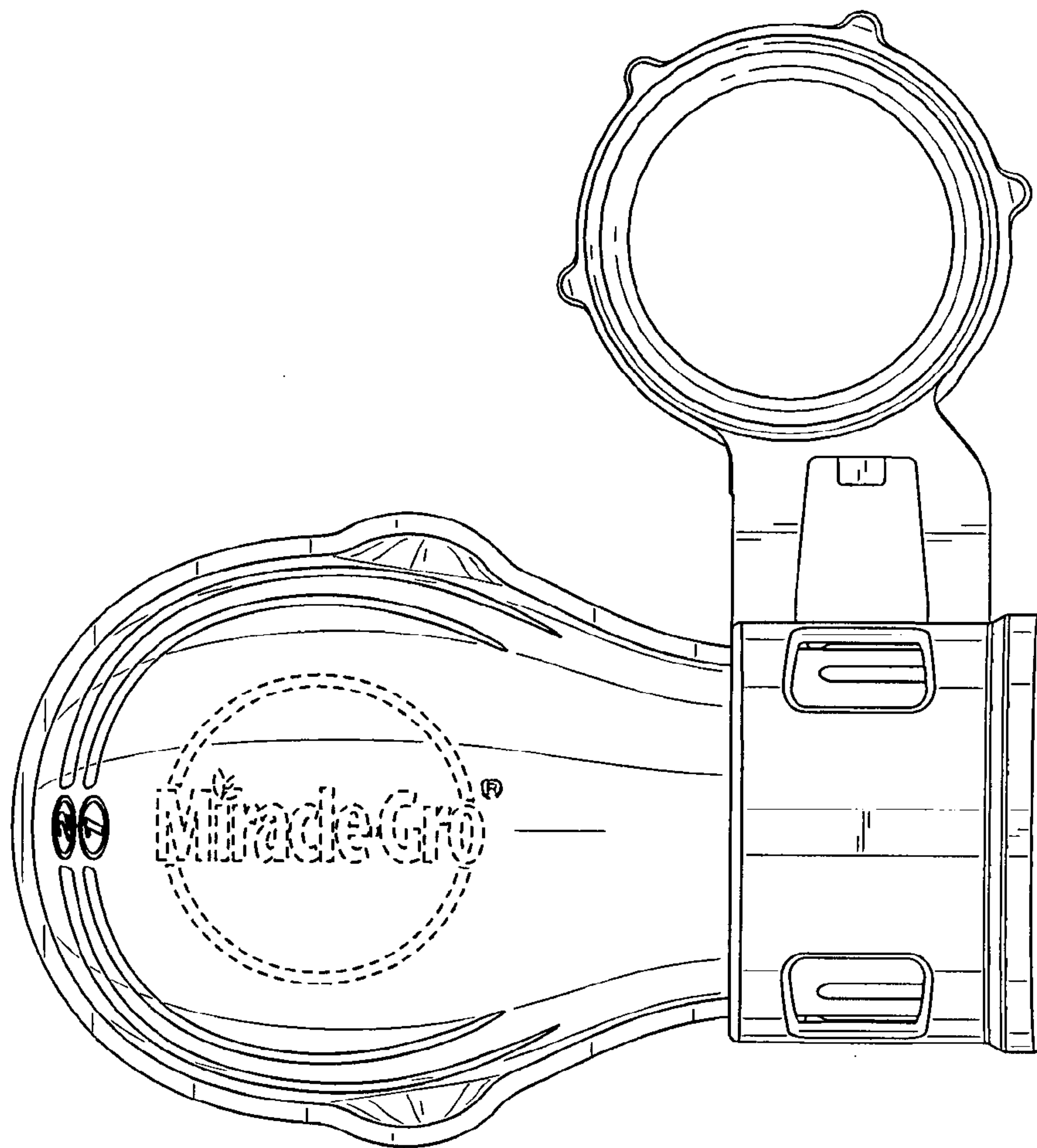


FIG. 9

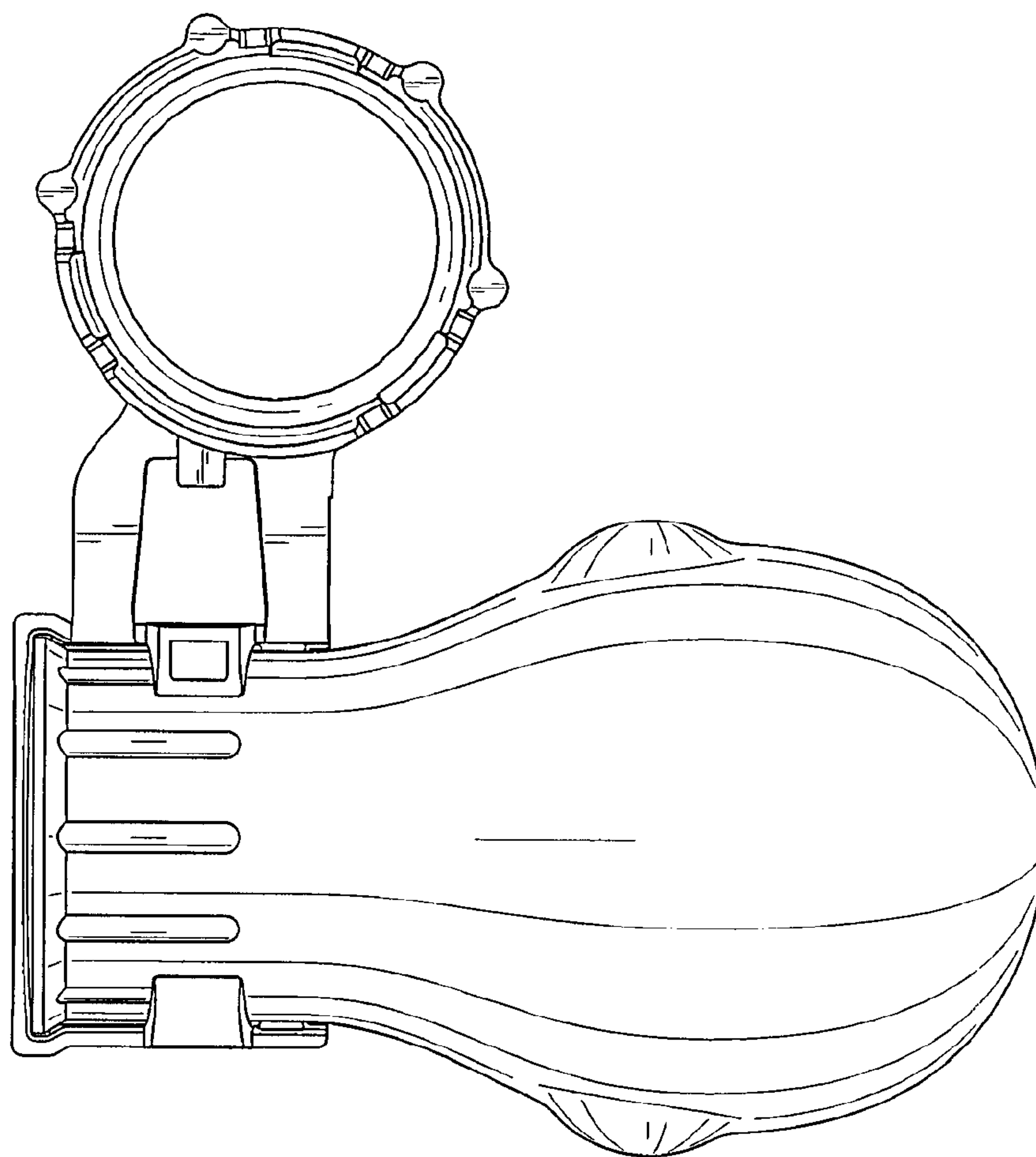


FIG. 10

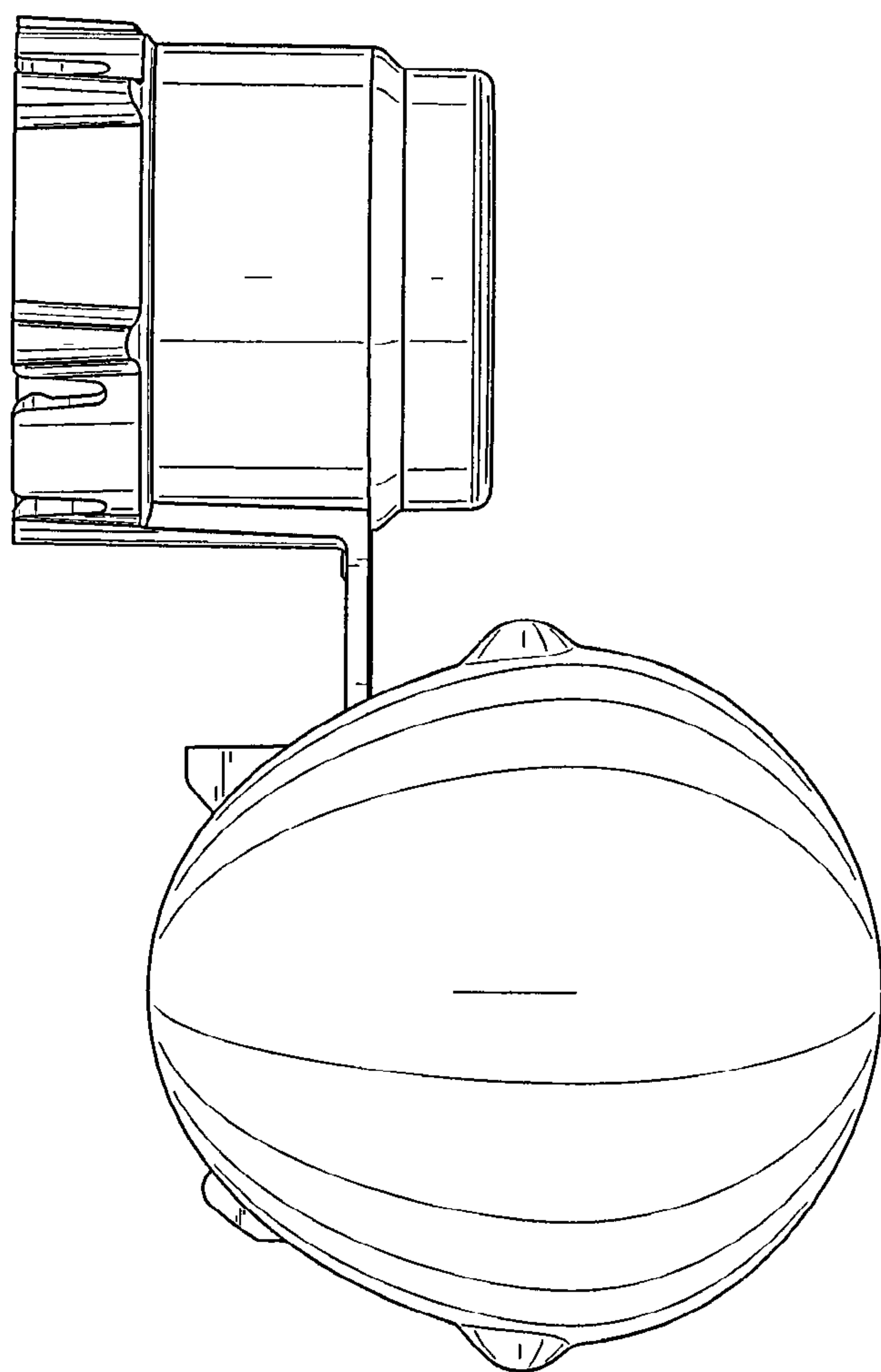


FIG. 11

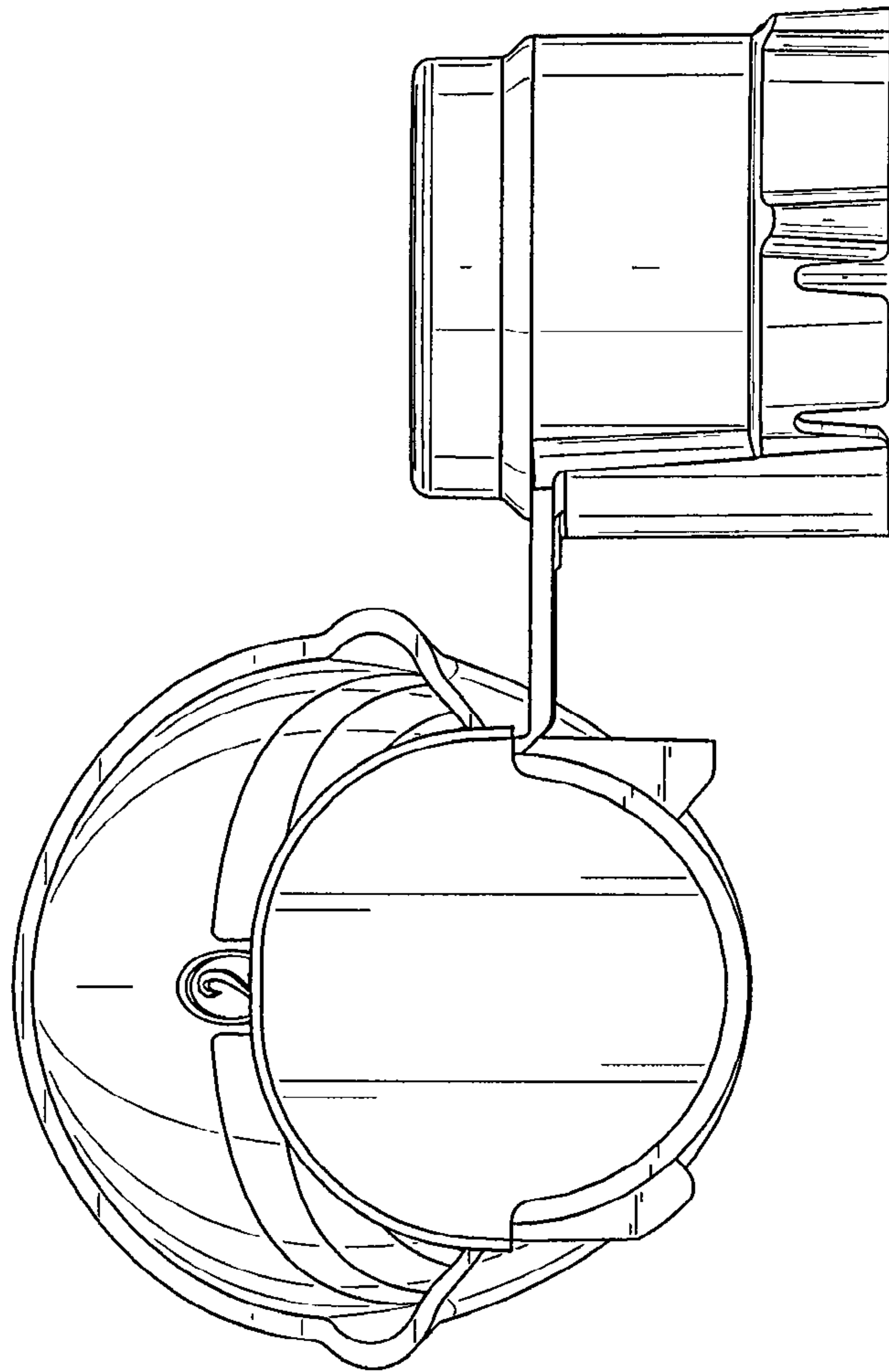


FIG. 12

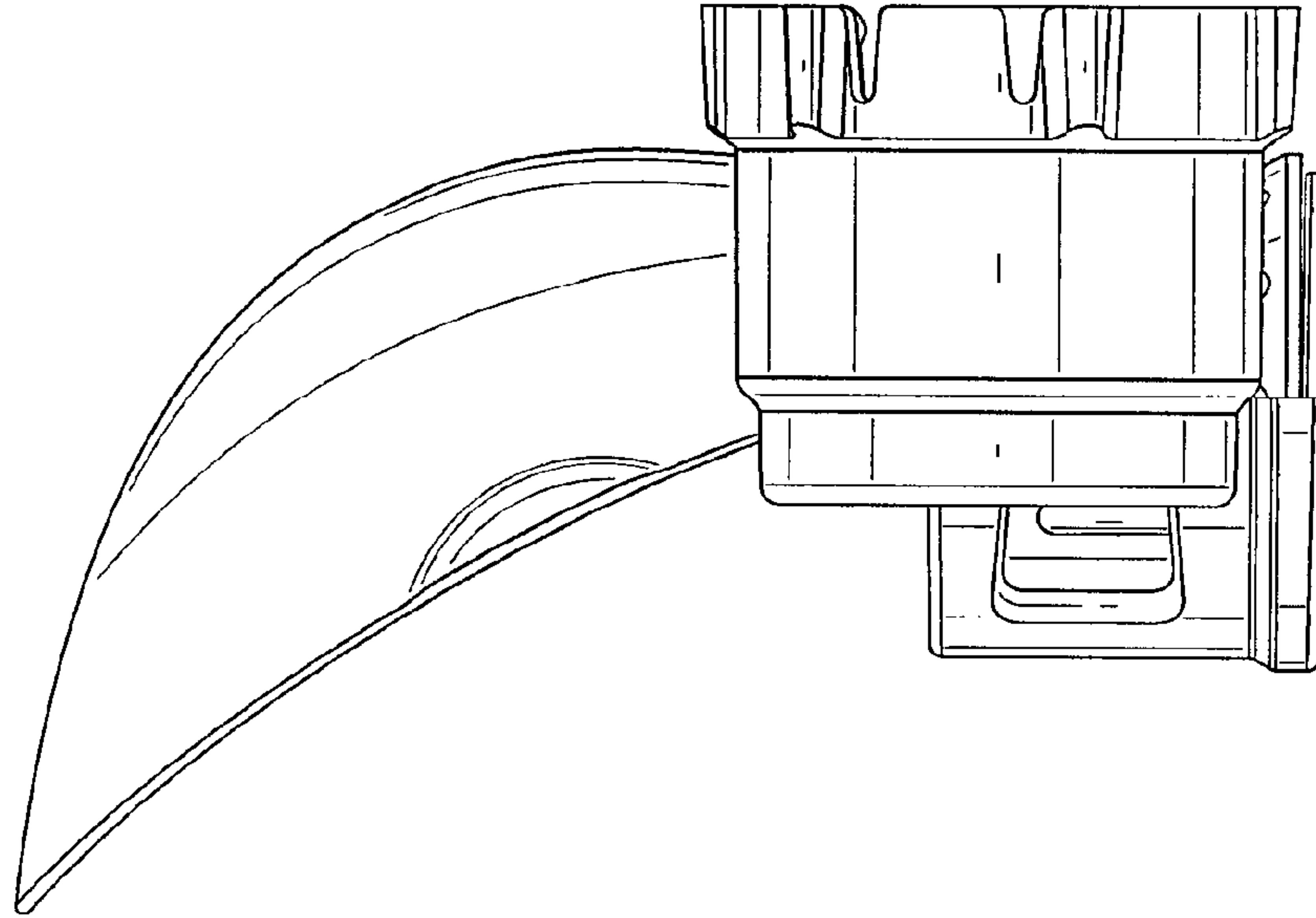


FIG. 13

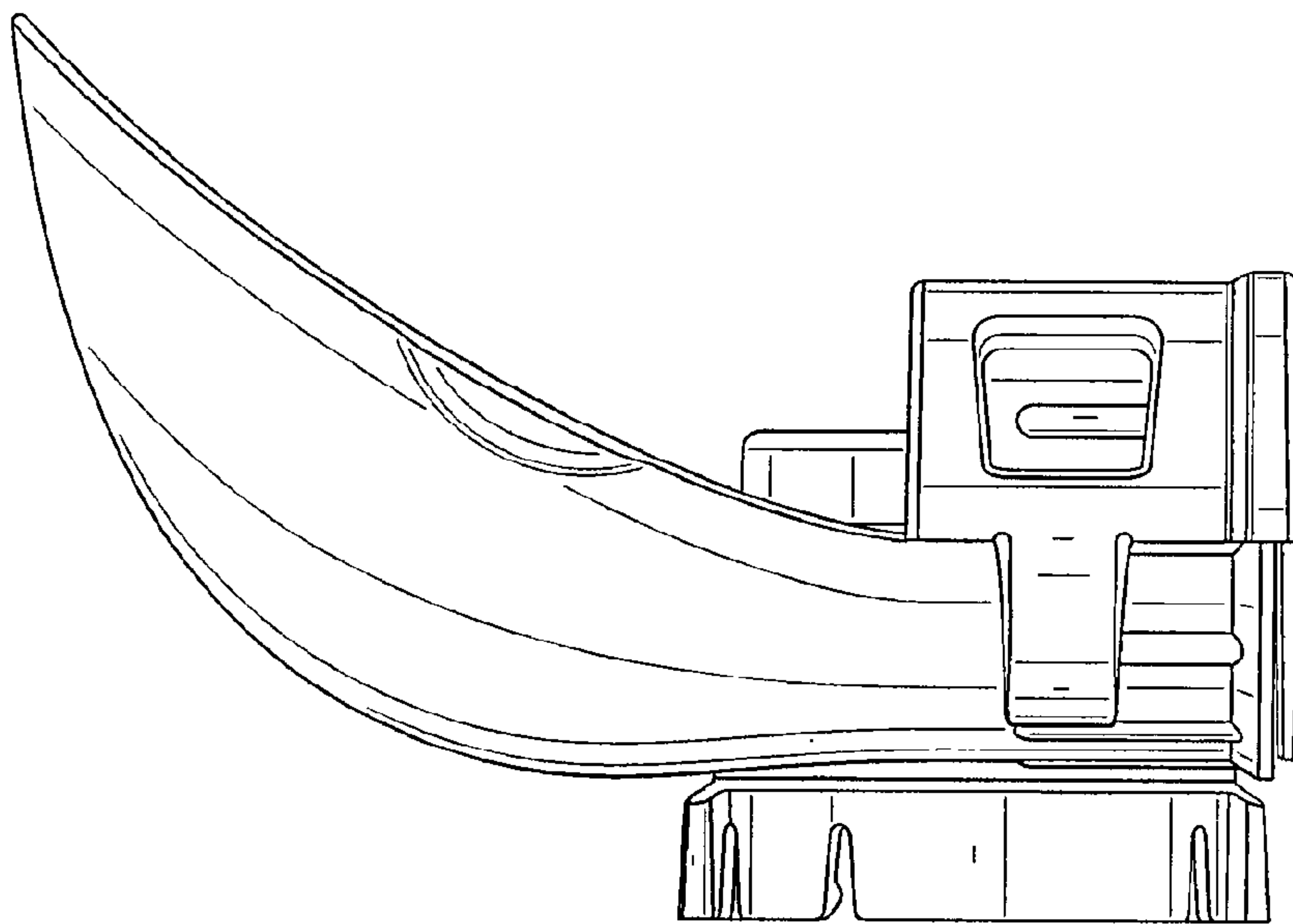


FIG. 14