



US00D744639S

(12) **United States Design Patent**  
**Aklog et al.**

(10) **Patent No.:** **US D744,639 S**  
(45) **Date of Patent:** **\*\* Dec. 1, 2015**

(54) **CANNULA TIP**

(56) **References Cited**

(71) Applicant: **AngioDynamics, Inc.**, Latham, NY (US)

U.S. PATENT DOCUMENTS

(72) Inventors: **Lishan Aklog**, Purchase, NY (US);  
**Michael Glennon**, Norwell, MA (US)

4,921,478	A	5/1990	Solano et al.
5,158,533	A	10/1992	Strauss et al.
5,188,618	A	2/1993	Thomas
5,908,435	A	6/1999	Samuels
5,925,032	A *	7/1999	Clements ..... 606/1
D414,273	S *	9/1999	Smith et al. .... D24/227
6,083,239	A	7/2000	Addis
6,173,868	B1 *	1/2001	DeJonge ..... 222/321.6
6,206,868	B1	3/2001	Parodi
6,364,896	B1	4/2002	Addis
6,413,235	B1	7/2002	Parodi
6,413,243	B1 *	7/2002	Geist ..... 604/192
6,423,032	B2	7/2002	Parodi
6,500,191	B2	12/2002	Addis

(73) Assignee: **ANGIODYNAMICS, INC.**, Latham,  
NY (US)

(\*\*) Term: **14 Years**

(21) Appl. No.: **29/507,027**

(22) Filed: **Oct. 23, 2014**

(Continued)

**Related U.S. Application Data**

FOREIGN PATENT DOCUMENTS

(63) Continuation of application No. 14/250,486, filed on  
Apr. 11, 2014, which is a continuation of application  
No. 13/084,675, filed on Apr. 12, 2011, now Pat. No.  
8,734,374, which is a continuation-in-part of  
application No. 12/187,121, filed on Aug. 6, 2008, now  
Pat. No. 8,075,510.

WO WO 9945835 9/1999

OTHER PUBLICATIONS

(51) **LOC (10) Cl.** ..... **24-02**

(52) **U.S. Cl.**  
USPC ..... **D24/112**

PCT International Search Report based on PCT/US2008/072352  
dated Nov. 4, 2008.

(Continued)

(58) **Field of Classification Search**  
USPC ..... D24/127-131, 112-114, 133, 186;  
606/181, 185; 604/264, 272, 115, 232,  
604/187, 158, 164.08, 192, 263, 163, 181,  
604/184, 198, 227; 600/101, 139, 143;  
128/200.24, 207.14, 207.15  
CPC . A61M 25/065; A61M 5/42; A61M 25/0612;  
A61M 25/00; A61M 39/00; A61M 27/00;  
A61M 25/0043; A61M 25/0067; A61M  
25/0097; A61F 2/958  
See application file for complete search history.

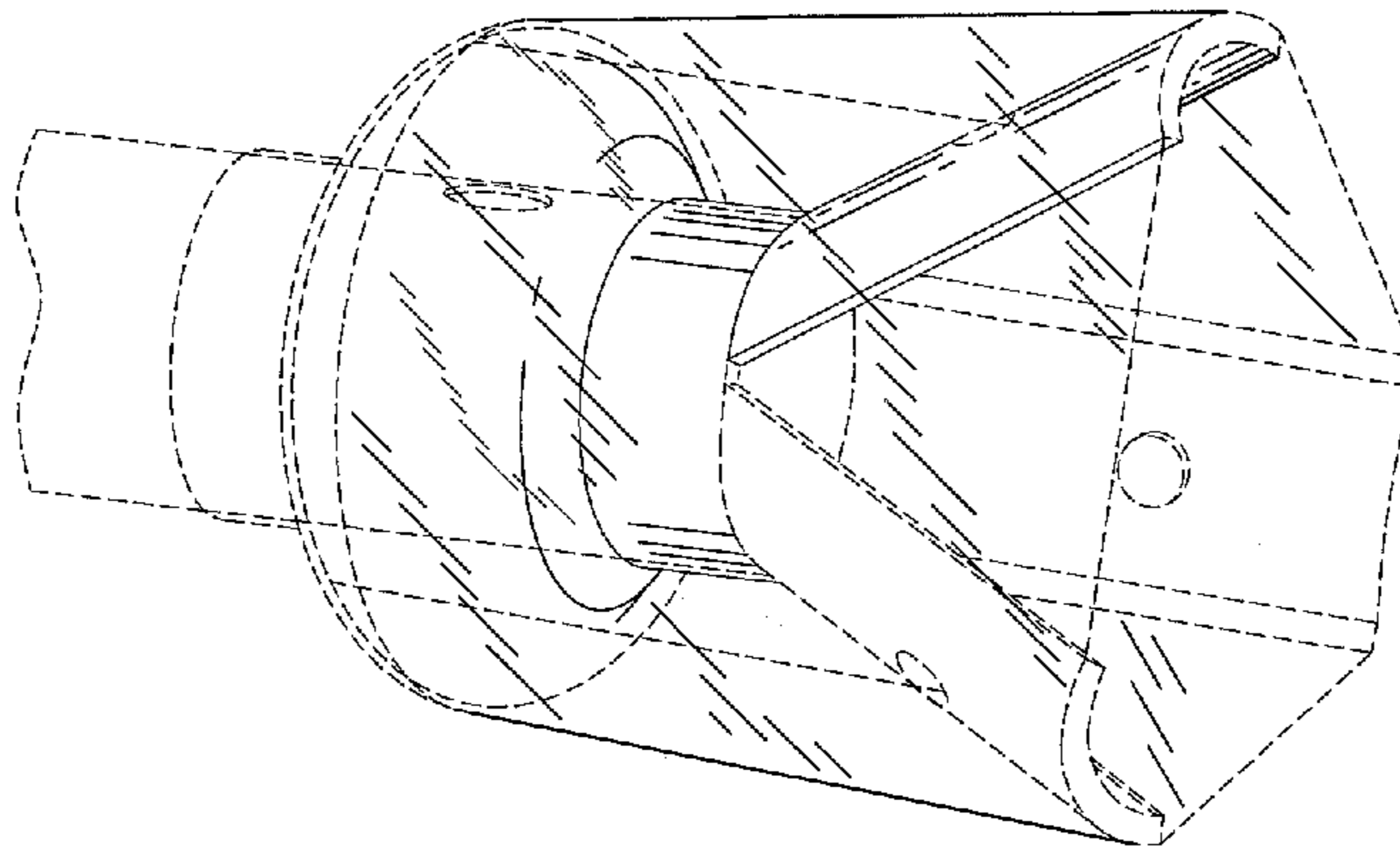
*Primary Examiner* — David Muller  
(74) *Attorney, Agent, or Firm* — Heslin Rothenberg Farley  
& Mesiti P.C.

(57) **CLAIM**  
The ornamental design for a cannula tip, as shown and  
described.

**DESCRIPTION**

FIG. 1 is a perspective view of a cannula tip in accordance  
with the new design; and,  
FIG. 2 is side elevational view thereof.  
The broken line showing of parts of the drawings is included  
for the purpose of illustrating use and environment and forms  
no part of the claimed design.

**1 Claim, 1 Drawing Sheet**



(56)

**References Cited**

U.S. PATENT DOCUMENTS

6,540,712 B1 4/2003 Parodi et al.  
 6,719,717 B1 4/2004 Johnson et al.  
 6,852,280 B2 2/2005 Vijay et al.  
 6,905,490 B2 6/2005 Parodi  
 6,908,474 B2 6/2005 Hogendijk et al.  
 6,936,060 B2 8/2005 Hogendijk et al.  
 D509,589 S \* 9/2005 Wells ..... D24/145  
 6,946,099 B2 9/2005 Vijay et al.  
 6,960,222 B2 11/2005 Vo et al.  
 7,118,585 B2 10/2006 Addis  
 7,223,253 B2 5/2007 Hogendijk  
 7,229,402 B2 6/2007 Diaz et al.  
 D569,509 S \* 5/2008 Melanson et al. .... D24/133  
 7,374,560 B2 5/2008 Ressemann et al.  
 D613,859 S \* 4/2010 Bierman ..... D24/130  
 7,799,046 B2 9/2010 White et al.  
 D625,805 S \* 10/2010 Hereford ..... D24/140

D642,261 S \* 7/2011 York et al. .... D24/130  
 D649,634 S \* 11/2011 May et al. .... D24/133  
 8,075,510 B2 12/2011 Aklog et al.  
 D653,336 S \* 1/2012 Morgan et al. .... D24/130  
 D672,460 S \* 12/2012 Baid ..... D24/130  
 D674,084 S \* 1/2013 Linnenschmidt ..... D24/112  
 8,470,016 B2 6/2013 Sherburne  
 2001/0049486 A1 12/2001 Evans et al.  
 2002/0058964 A1 5/2002 Addis  
 2002/0165574 A1 11/2002 Ressemann et al.  
 2003/0093112 A1 5/2003 Addis  
 2008/0041516 A1 2/2008 Chiu et al.  
 2011/0213297 A1 9/2011 Aklog et al.

OTHER PUBLICATIONS

Greenfield et al., Transvenous Removal of Pulmonary Emboli by Vacuum-Cup Catheter Technique, Journal of Surgical Research, vol. 9, No. 6 (Jun. 1969), pp. 347-352.

\* cited by examiner

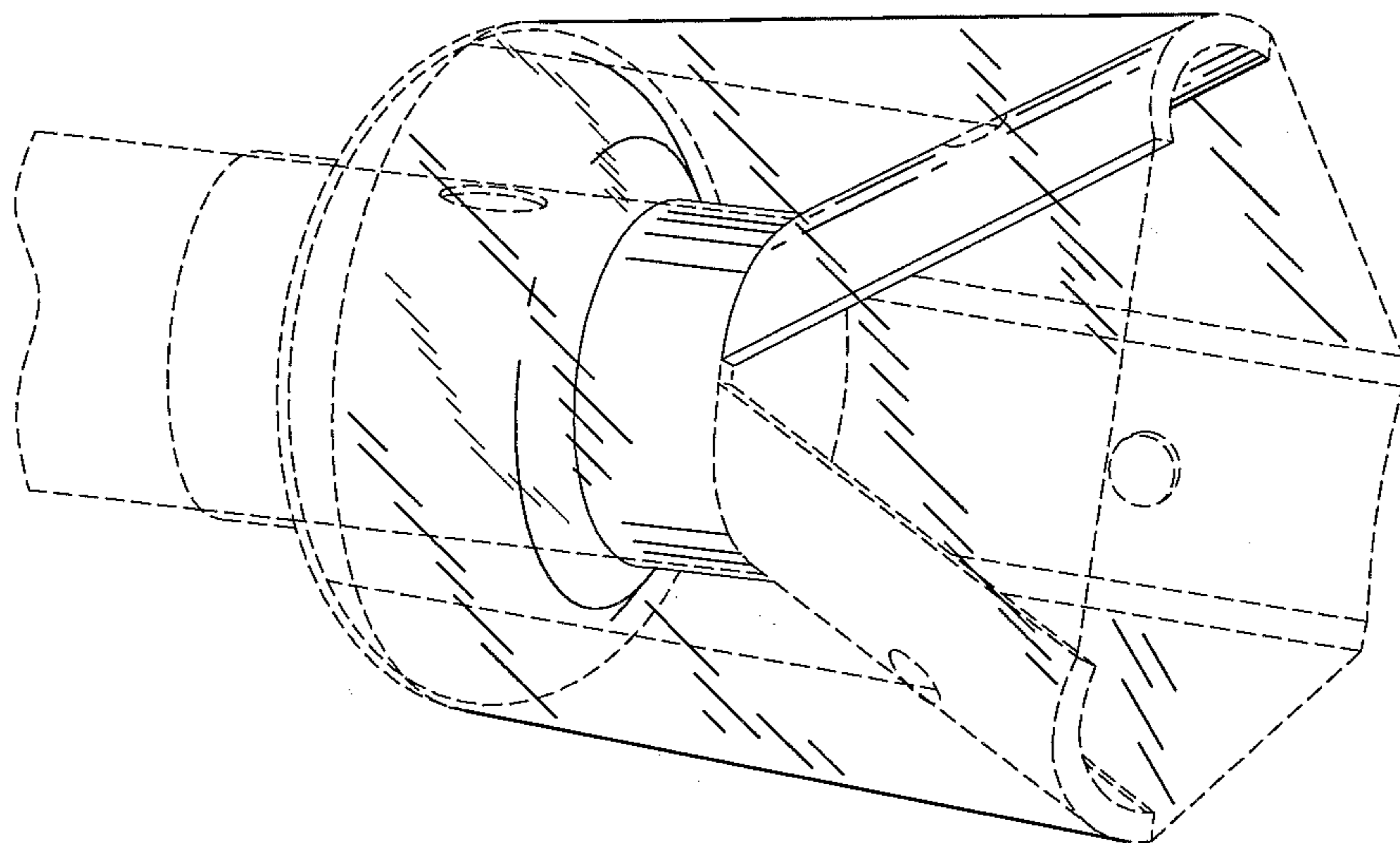


FIG. 1

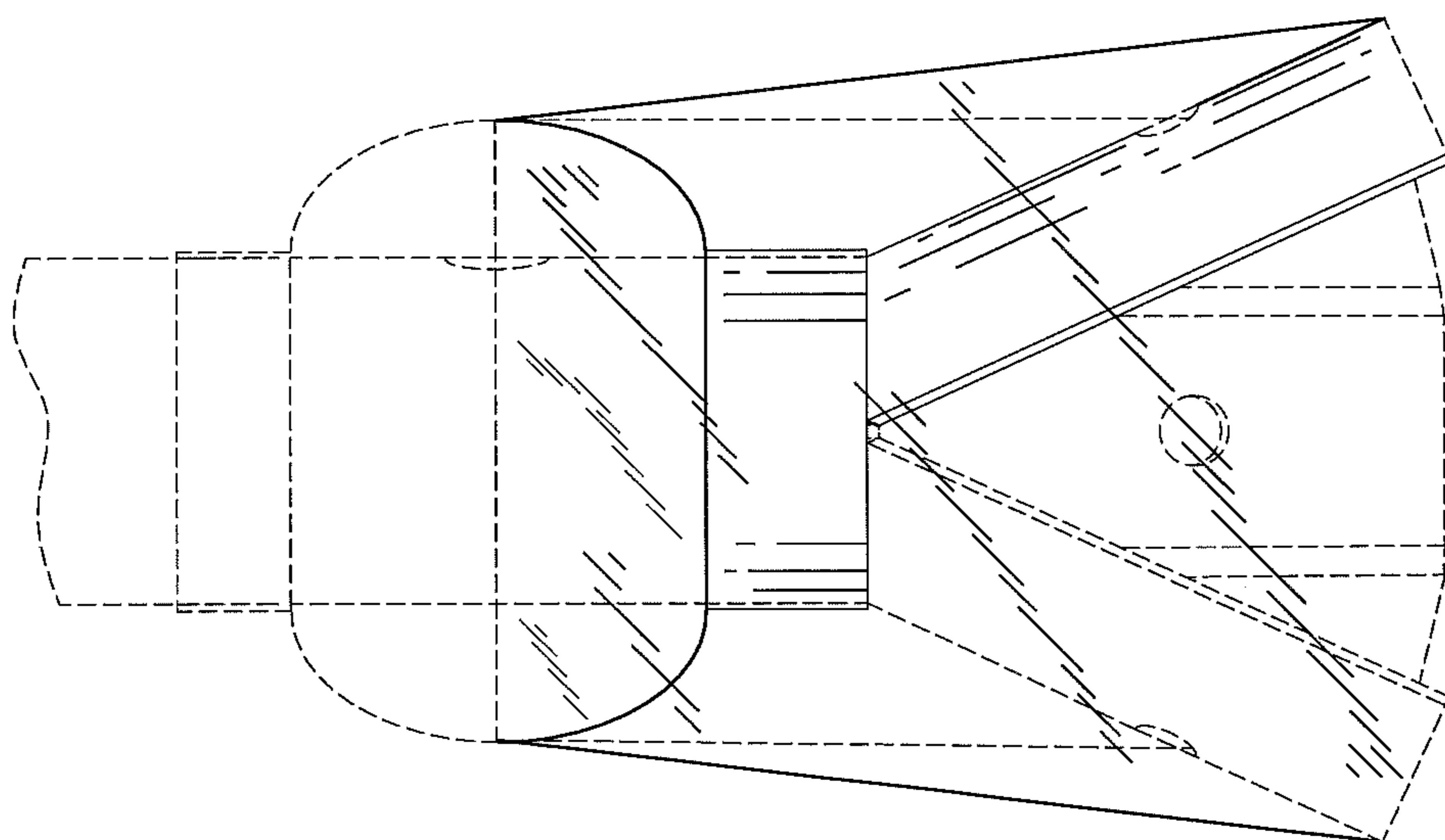


FIG. 2