



US00D744638S

(12) **United States Design Patent**
Bow

(10) **Patent No.:** **US D744,638 S**

(45) **Date of Patent:** **** Dec. 1, 2015**

(54) **SUCTION HANDLE**

(71) Applicant: **Medline Industries, Inc.**, Mundelein, IL (US)

(72) Inventor: **Clark F. Bow**, Dandridge, TN (US)

(73) Assignee: **Medline Industries, Inc.**, Mundelein, IL (US)

(**) Term: **14 Years**

(21) Appl. No.: **29/446,358**

(22) Filed: **Feb. 22, 2013**

Related U.S. Application Data

(63) Continuation of application No. 29/402,947, filed on Sep. 29, 2011, now Pat. No. Des. 678,512.

(51) **LOC (10) Cl.** **24-02**

(52) **U.S. Cl.**
USPC **D24/112**

(58) **Field of Classification Search**
USPC D24/111-114, 133, 186, 130, 127, 108, D24/146, 147, 129, 138, 176; 606/181, 185; 604/30, 34, 35, 39, 119, 161, 500, 902, 604/264; 600/101, 139, 143; 128/200.24, 128/207.14, 207.15; 433/91
See application file for complete search history.

(56) **References Cited**

U.S. PATENT DOCUMENTS

D326,714 S	6/1992	Funakoshi et al.	
D351,652 S	10/1994	Thompson et al.	
D357,064 S	4/1995	Bartlett et al.	
5,984,907 A	11/1999	McGee et al.	
6,129,547 A	10/2000	Cise et al.	
6,500,142 B1	12/2002	Harreld et al.	
6,588,427 B1	7/2003	Carlsen et al.	
D498,846 S	11/2004	Hayamizu et al.	
D512,147 S *	11/2005	Barker D24/146

D518,175 S *	3/2006	Hardin et al. D24/133
D518,573 S	4/2006	French	
D545,439 S *	6/2007	Draudt et al. D24/186
D564,093 S	3/2008	Marchand et al.	
D571,458 S	6/2008	Kataoka et al.	
D576,725 S	9/2008	Shumer et al.	
D581,052 S	11/2008	Root et al.	
D585,993 S	2/2009	Kousuge	

(Continued)

FOREIGN PATENT DOCUMENTS

WO 2008/075241 A2 6/2008

OTHER PUBLICATIONS

Kimberly-Clark* KimVent* Oral Care q4 Kit & Individual Componets/Packs, Kimberly Clark, 2008, 6 pages.

(Continued)

Primary Examiner — David Muller

(74) *Attorney, Agent, or Firm* — Fitch, Even, Tabin & Flannery LLP

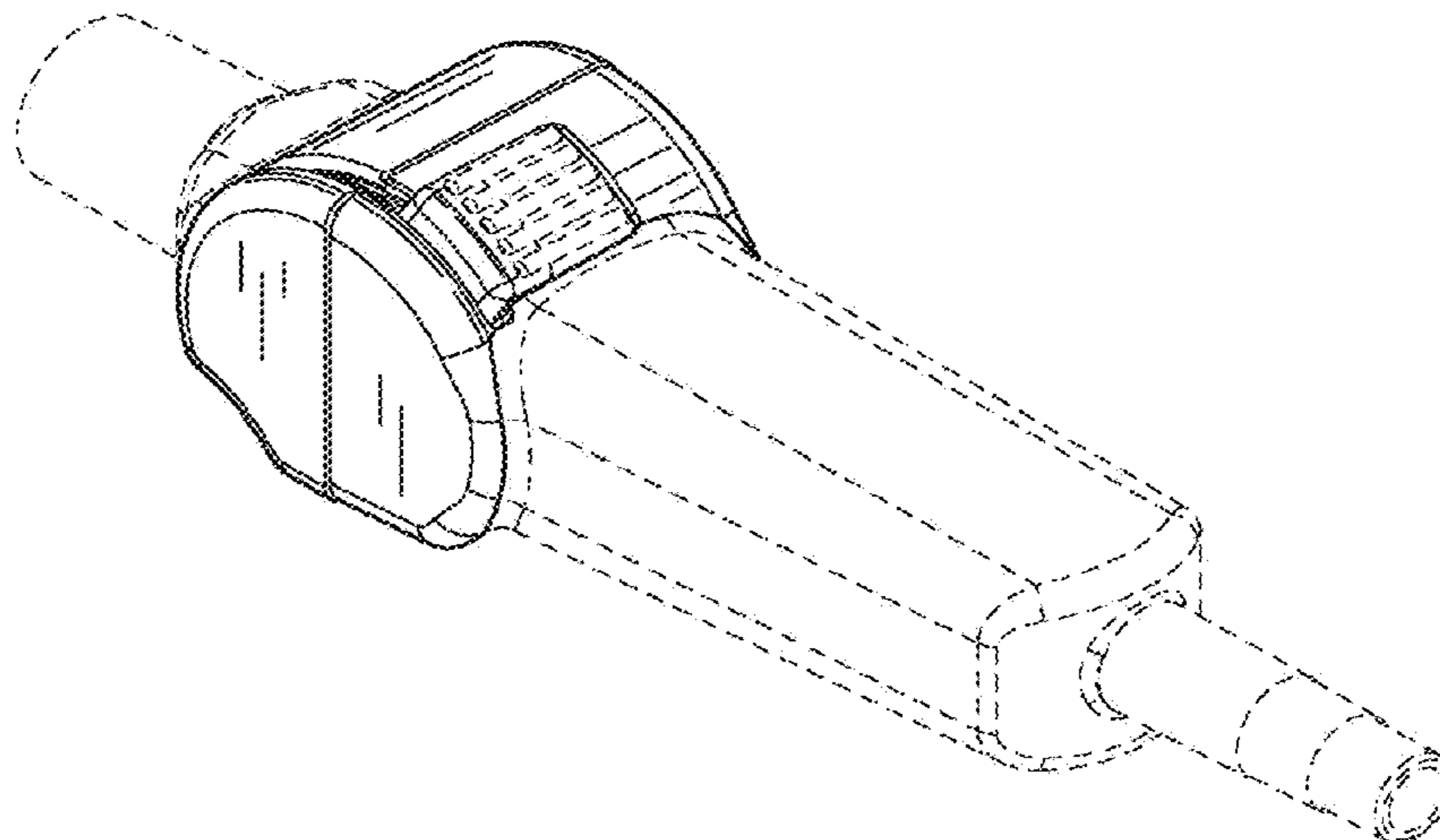
(57) **CLAIM**

I claim the ornamental design for a suction handle, as shown and described.

DESCRIPTION

FIG. 1 is a perspective view of an ornamental design for a suction handle;
FIG. 2 is a second perspective view thereof;
FIG. 3 is a top plan view thereof;
FIG. 4 is a bottom plan view thereof;
FIG. 5 is a right side elevation view thereof;
FIG. 6 is a left side elevation view thereof;
FIG. 7 is a rear elevation view thereof; and,
FIG. 8 is a front elevation view thereof.
The broken lines shown in the drawings are included for the purpose of illustrating use and environment and form no part of the claimed design.

1 Claim, 3 Drawing Sheets



(56)

References Cited

U.S. PATENT DOCUMENTS

7,625,207 B2 12/2009 Hershey et al.
D622,842 S * 8/2010 Benoist D24/133
D630,728 S 1/2011 Dombrowski et al.
7,866,477 B2 1/2011 Sturm et al.
7,867,190 B2 1/2011 Ponsi
D632,783 S 2/2011 Maesarapu
D653,329 S 1/2012 Lee-Sepsick
D678,512 S 3/2013 Bow
D698,441 S * 1/2014 Meguro et al. D24/138
D709,184 S * 7/2014 Lee-Sepsick D24/112
8,834,407 B2 9/2014 Greeson, Jr.

D715,429 S * 10/2014 Yu et al. D24/130
D718,437 S * 11/2014 Osypka D24/127
D718,445 S * 11/2014 Yoshida et al. D24/138
2002/0103419 A1 * 8/2002 Christopher 600/156
2004/0006380 A1 * 1/2004 Buck et al. 623/1.11
2008/0132760 A1 * 6/2008 Takeuchi 600/129
2010/0240956 A1 * 9/2010 Secrest et al. 600/154
2011/0098644 A1 4/2011 Ponsi

OTHER PUBLICATIONS

Suzanne M. Pear, "VAP Prevention: Critical Techniques And Tools."
Healthcare Purchasing News, May 2008, pp. 40-41.

* cited by examiner

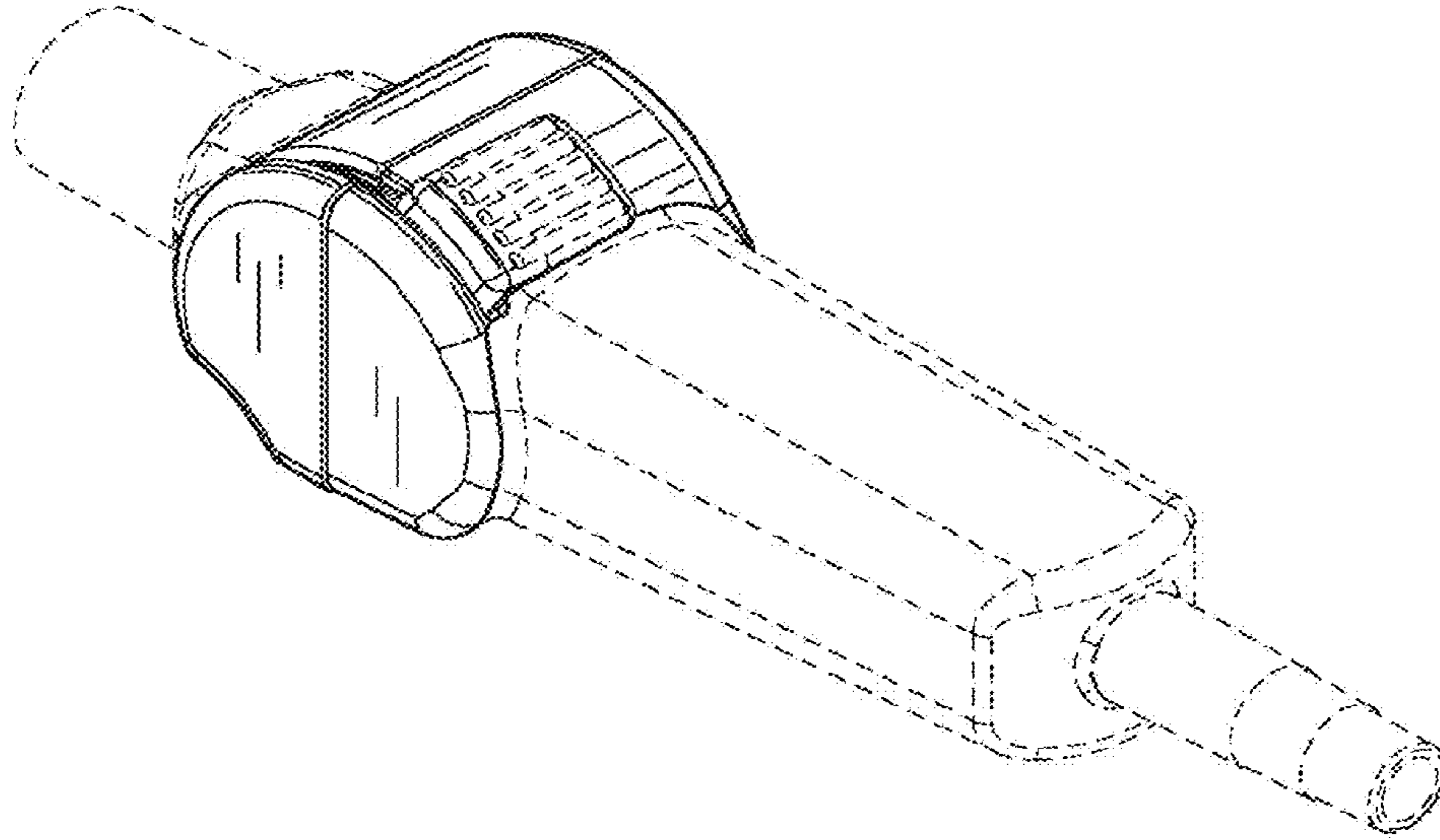


FIG. 1

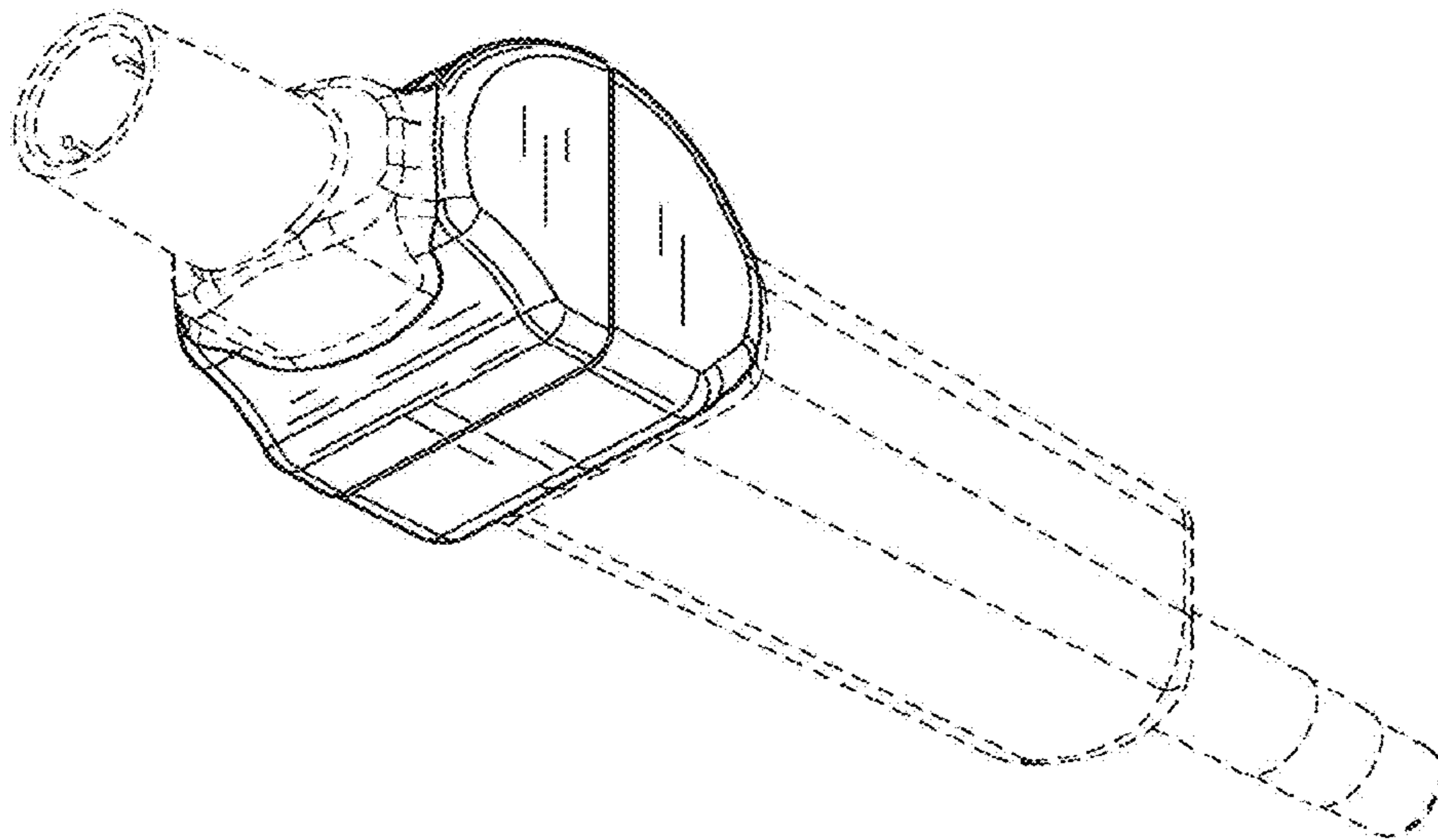


FIG. 2

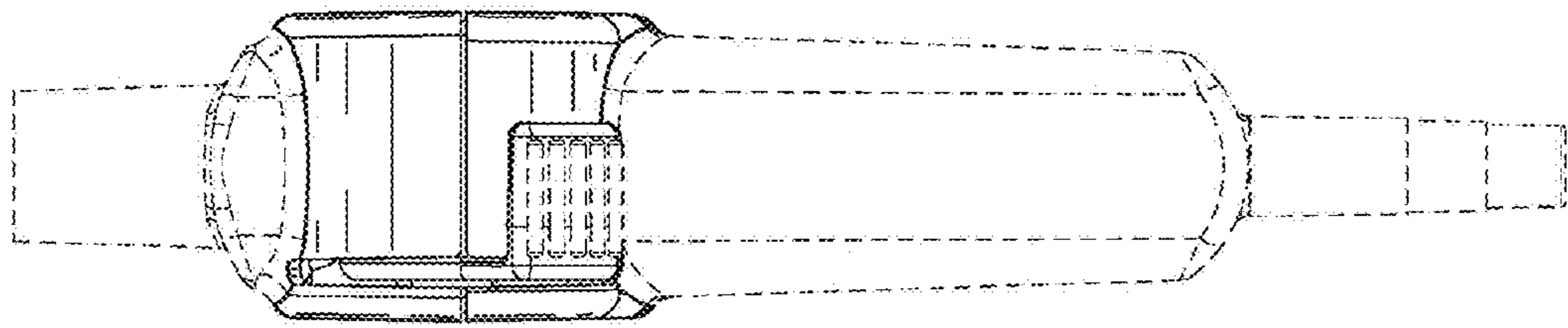


FIG. 3

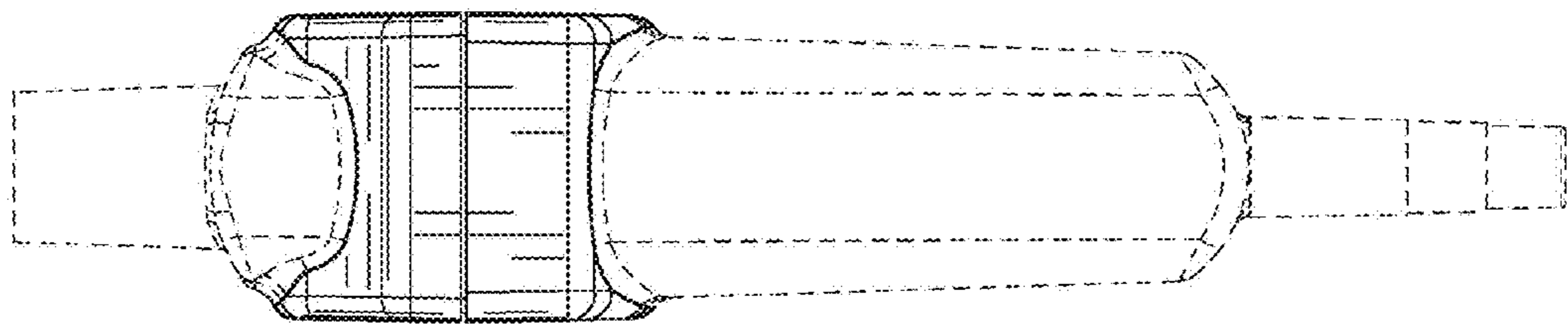


FIG. 4

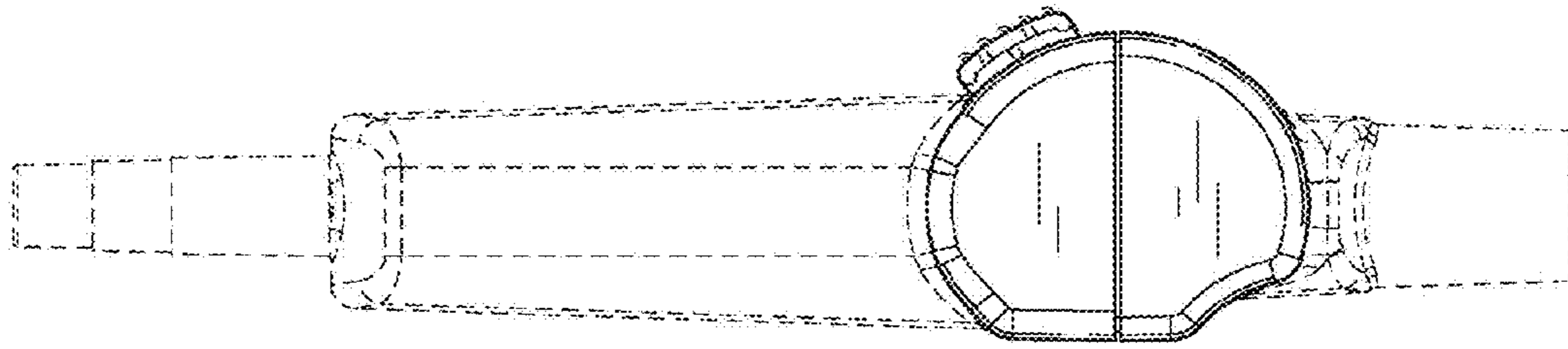


FIG. 5

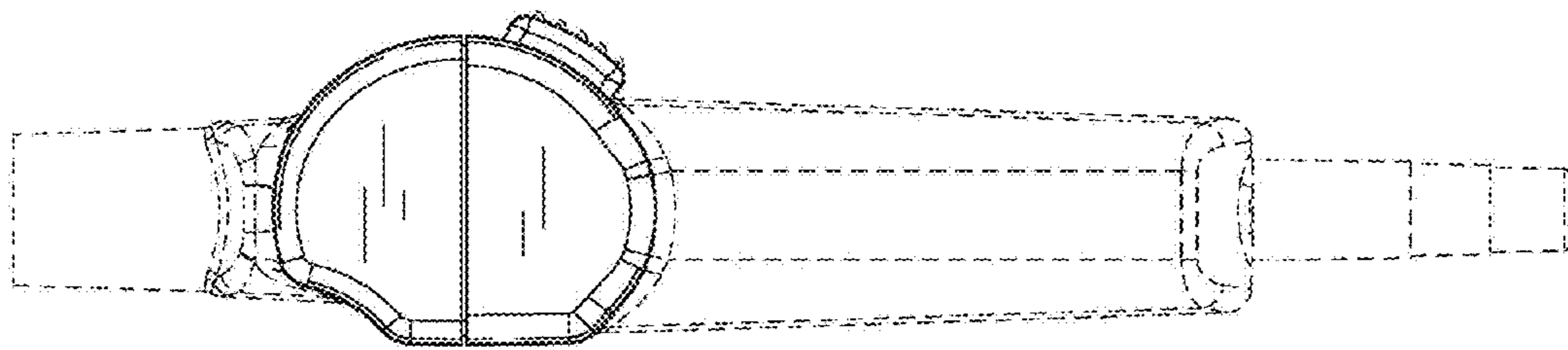


FIG. 6

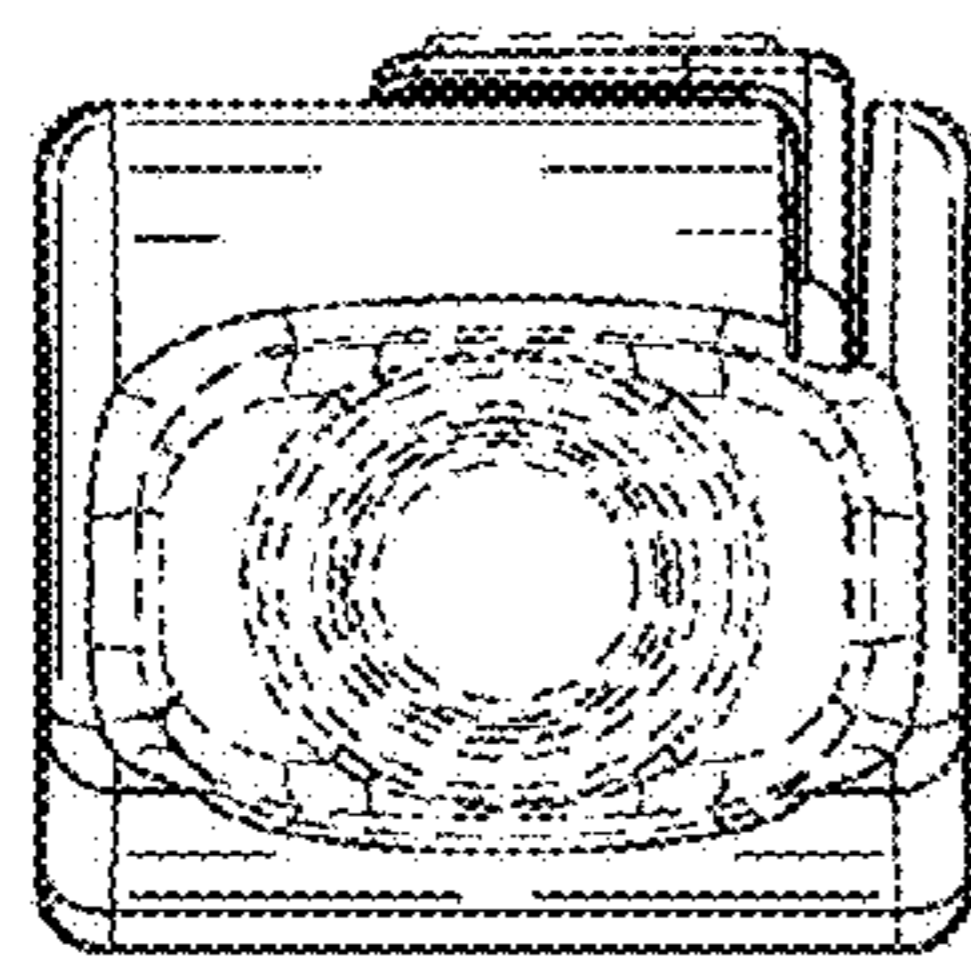


FIG. 7

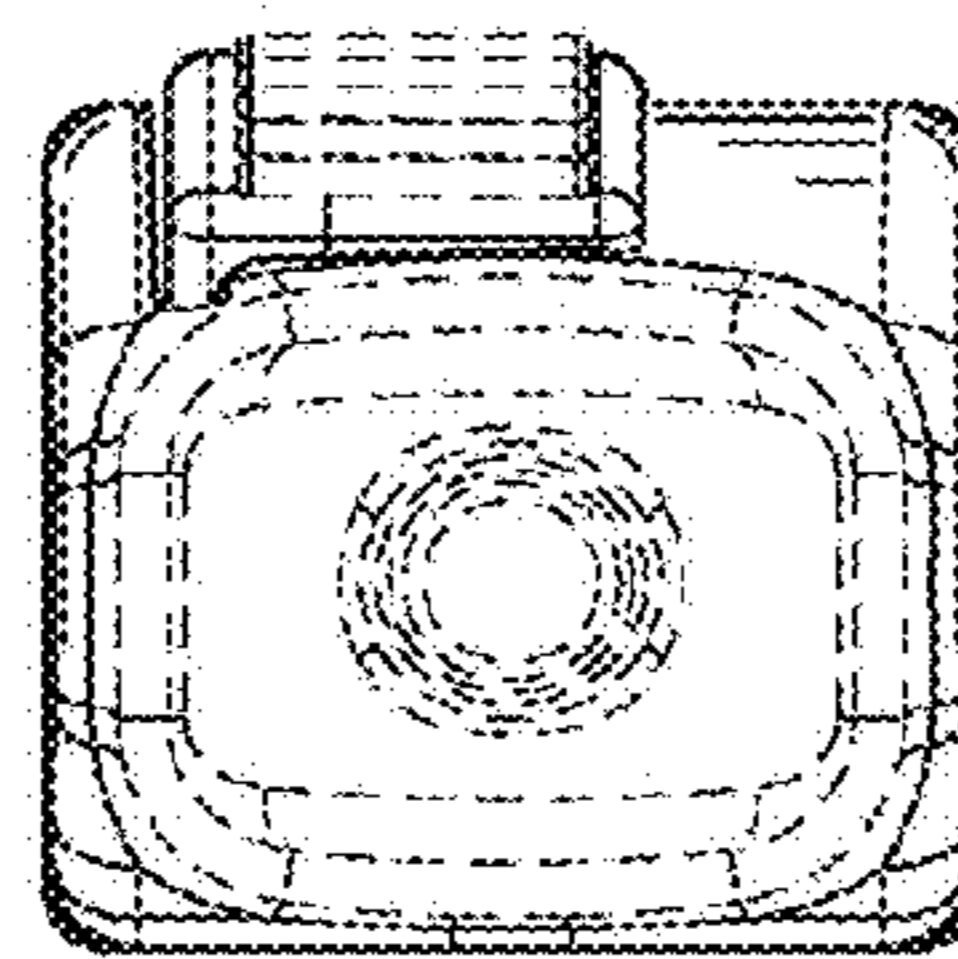


FIG. 8