



US00D744637S

(12) **United States Design Patent**
Scampoli

(10) **Patent No.:** **US D744,637 S**
(45) **Date of Patent:** **** Dec. 1, 2015**

(54) **CANNULA NOSEPIECE**

(56) **References Cited**

(71) Applicant: **KONINKLIJKE PHILIPS N.V.**,
Eindhoven (NL)
(72) Inventor: **David Scampoli**, South Glastonbury, CT
(US)
(73) Assignee: **KONINKLIJKE PHILIPS N.V.**,
Eindhoven (NL)
(**) Term: **14 Years**

U.S. PATENT DOCUMENTS

4,156,426	A *	5/1979	Gold	128/204.18
5,572,994	A *	11/1996	Smith	128/207.18
5,682,881	A *	11/1997	Winthrop et al.	128/207.18
6,533,984	B2 *	3/2003	Curti	264/219
7,743,770	B2 *	6/2010	Curti et al.	128/207.18
D627,059	S *	11/2010	Wood et al.	D24/110.5
7,832,400	B2 *	11/2010	Curti et al.	128/207.18
8,161,971	B2 *	4/2012	Jaffe et al.	128/206.11
8,534,278	B2 *	9/2013	Colman et al.	128/200.26
2005/0051176	A1 *	3/2005	Riggins	128/207.18
2008/0190436	A1 *	8/2008	Jaffe et al.	128/207.18
2009/0173350	A1 *	7/2009	Swanson	128/207.18
2009/0299158	A1 *	12/2009	Boatner et al.	600/301

(21) Appl. No.: **29/487,351**

* cited by examiner

(22) Filed: **Apr. 8, 2014**

Primary Examiner — Deanna L Pratt
Assistant Examiner — Lilyana Bekic

(30) **Foreign Application Priority Data**

(57) **CLAIM**

The ornamental design for a cannula nosepiece, as shown and described.

Oct. 8, 2013 (EM) 002321851-0002

DESCRIPTION

(51) **LOC (10) Cl.** **29-02**

FIG. 1 is a perspective view showing my design;
FIG. 2 is a front elevational view thereof;
FIG. 3 is a rear elevational view thereof;
FIG. 4 is a right side elevational view thereof;
FIG. 5 is a left side elevational view thereof;
FIG. 6 is a top plan view thereof; and,
FIG. 7 is a bottom plan view thereof.
The broken lines in the drawings illustrate portions of the
cannula nosepiece which form no part of the claimed design.

(52) **U.S. Cl.**

USPC **D24/110.5**

(58) **Field of Classification Search**

USPC D24/110, 110.1, 110.4, 110.5, 112, 164

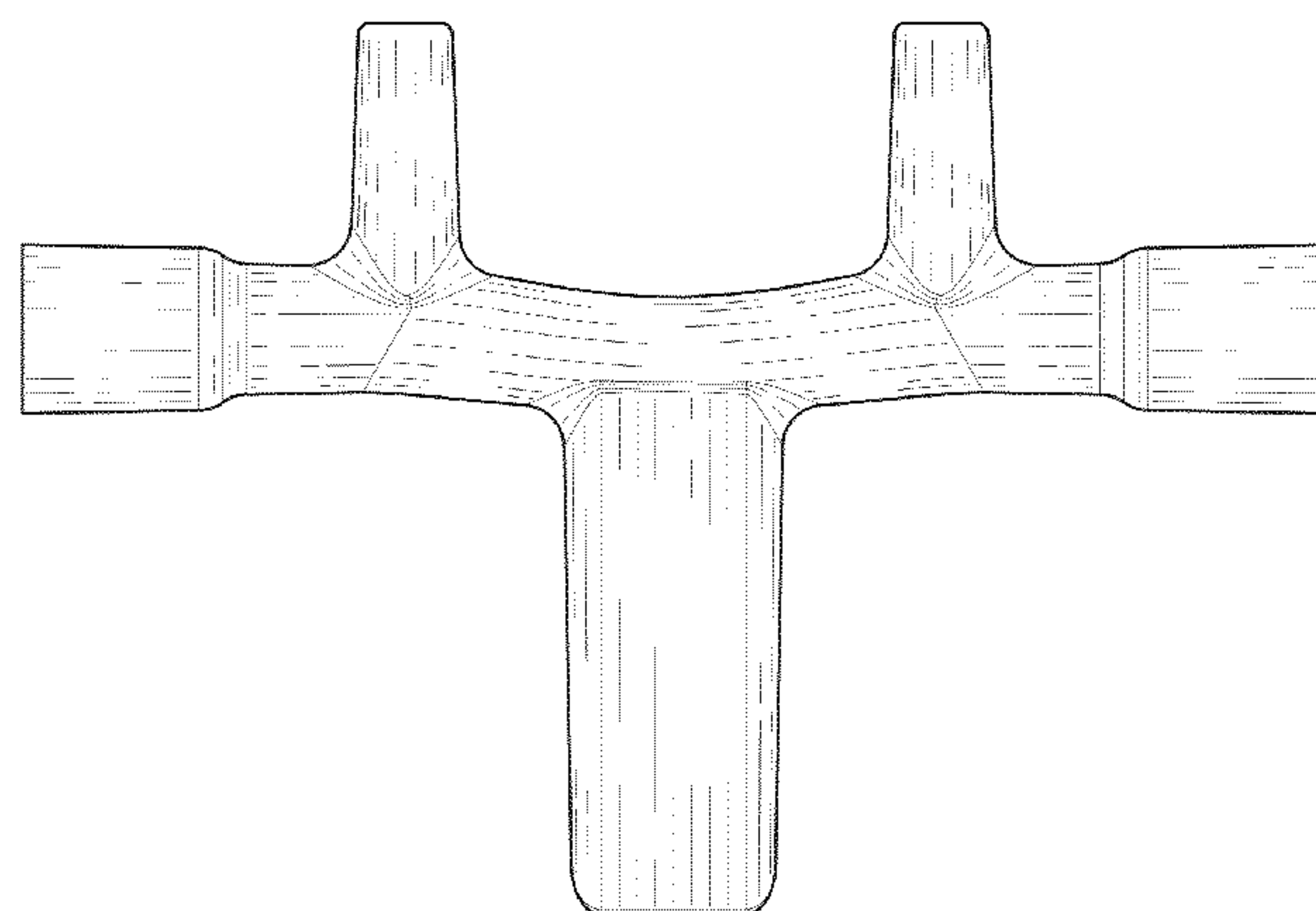
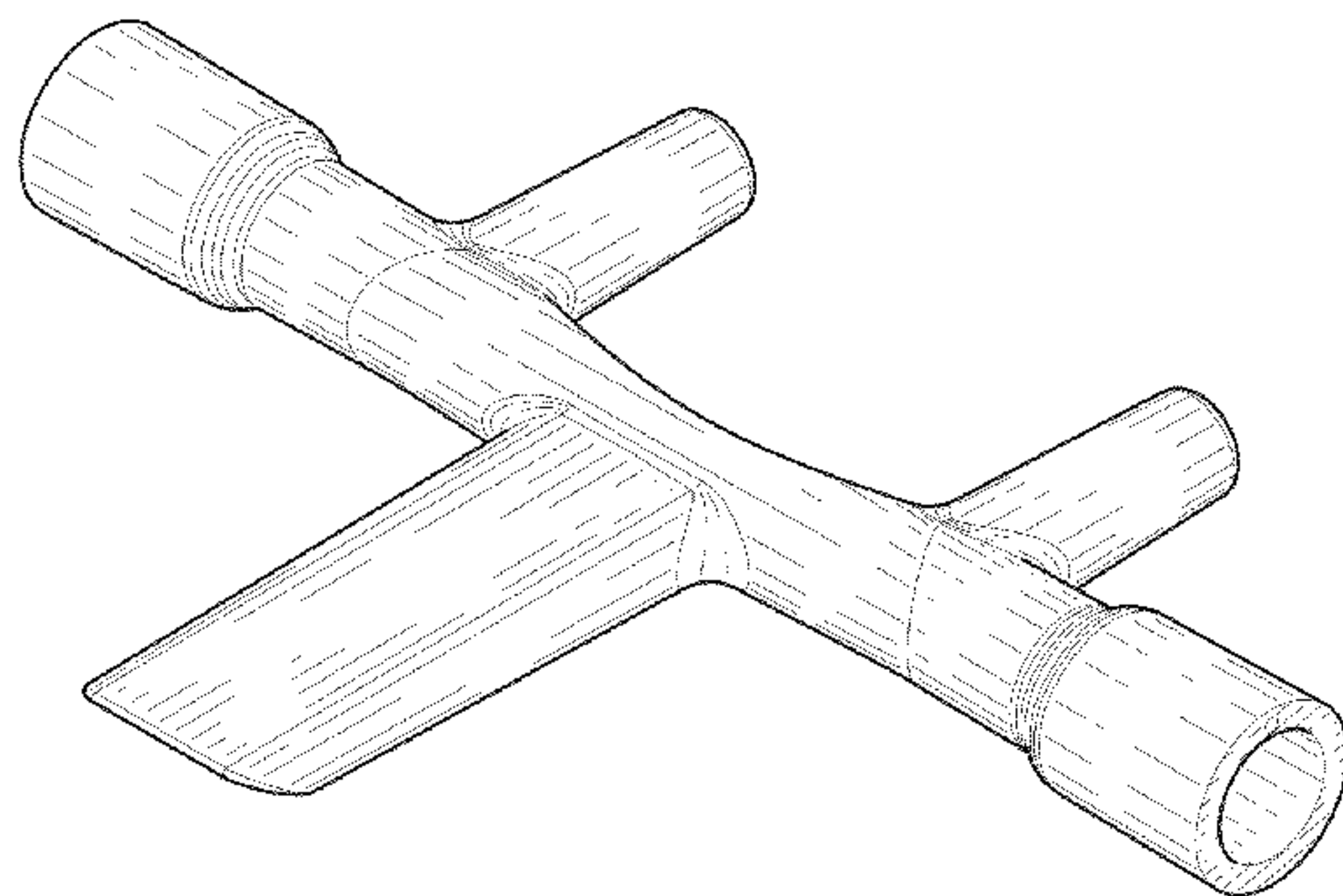
CPC A61M 16/0666; A61M 16/0672;

A61M 16/0683; A61M 2025/0226; A61M

16/0633; A61M 16/06; A61B 5/6819

See application file for complete search history.

1 Claim, 5 Drawing Sheets



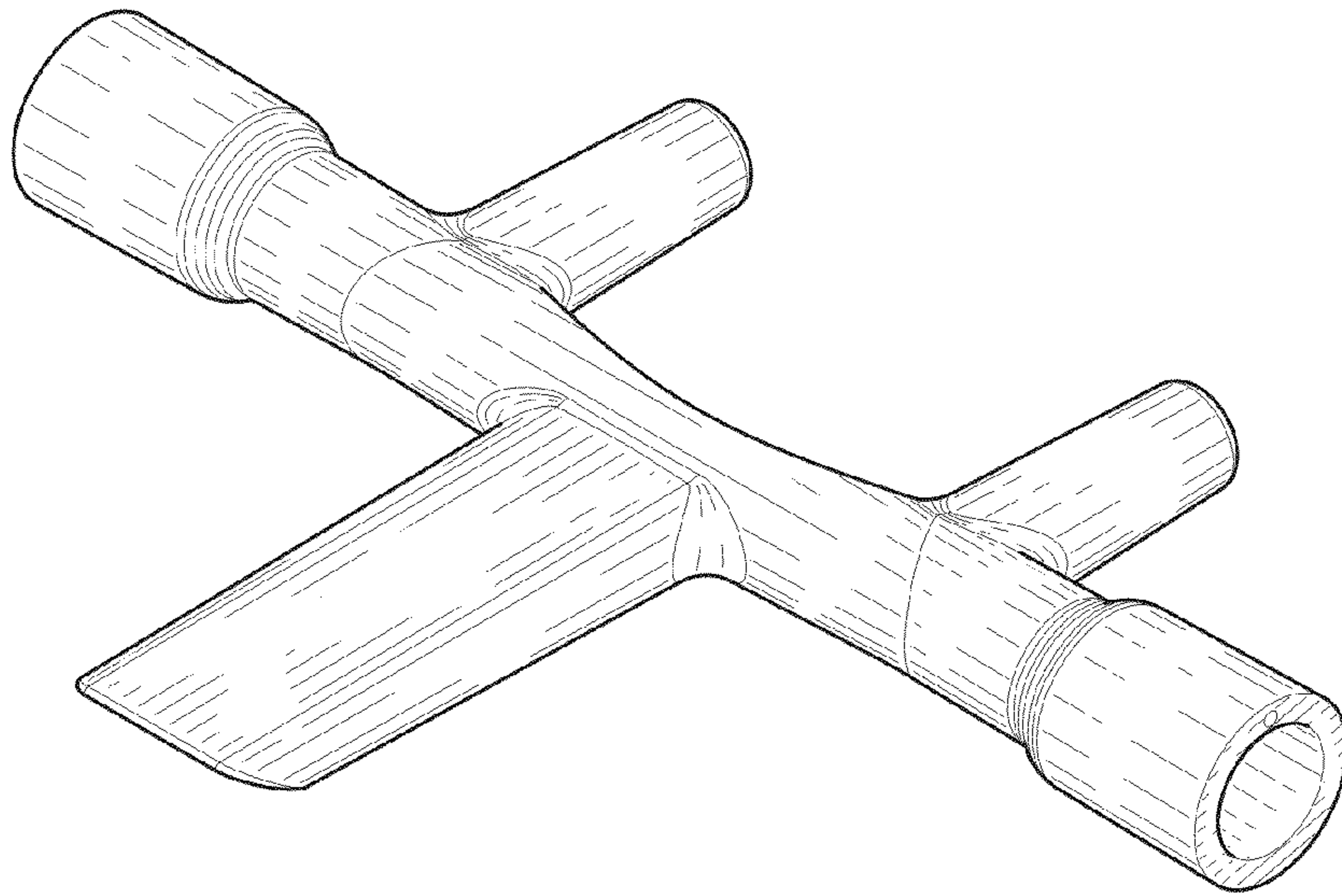


FIG. 1

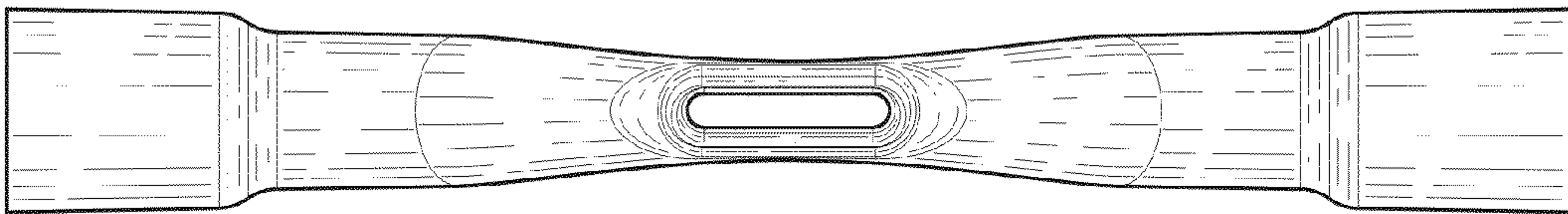


FIG. 2

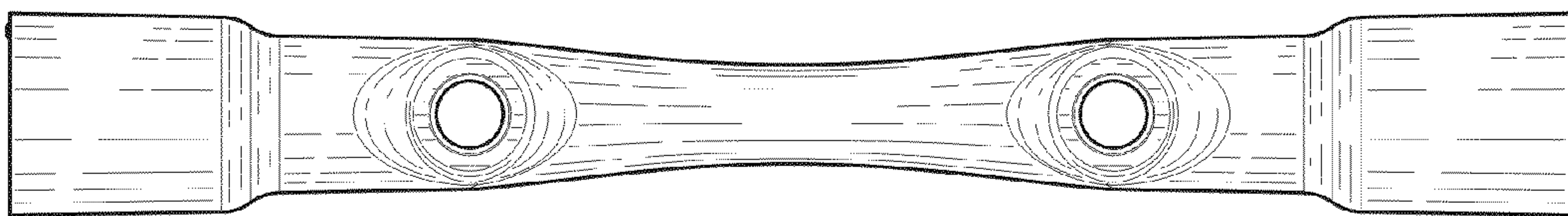


FIG. 3

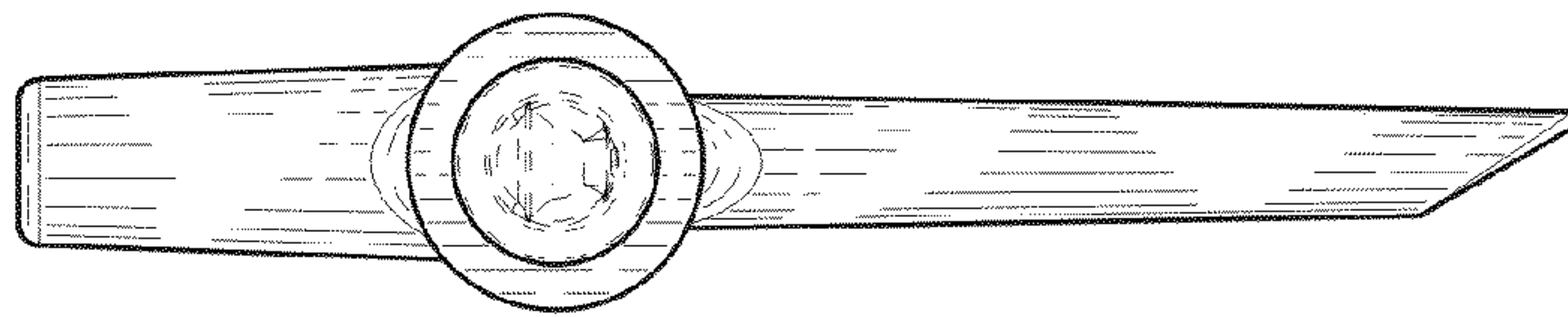


FIG. 4

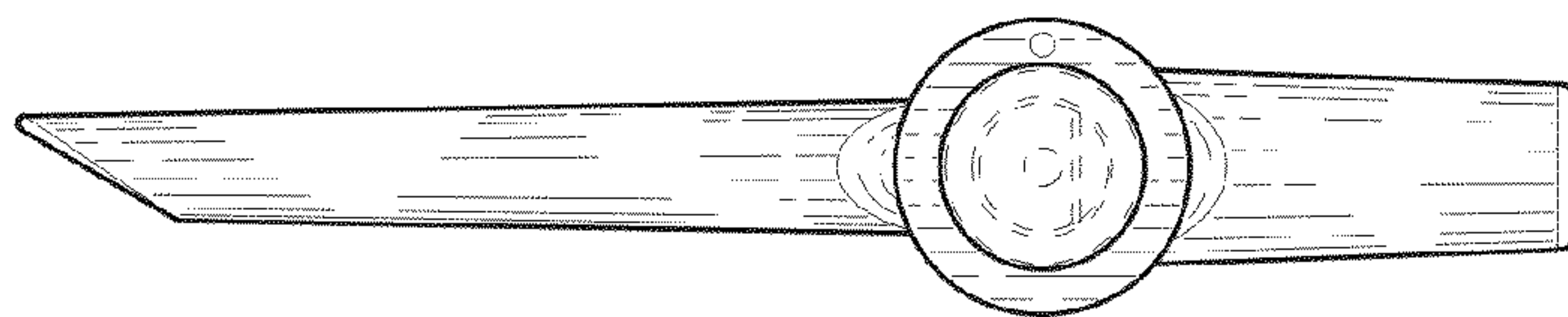


FIG. 5

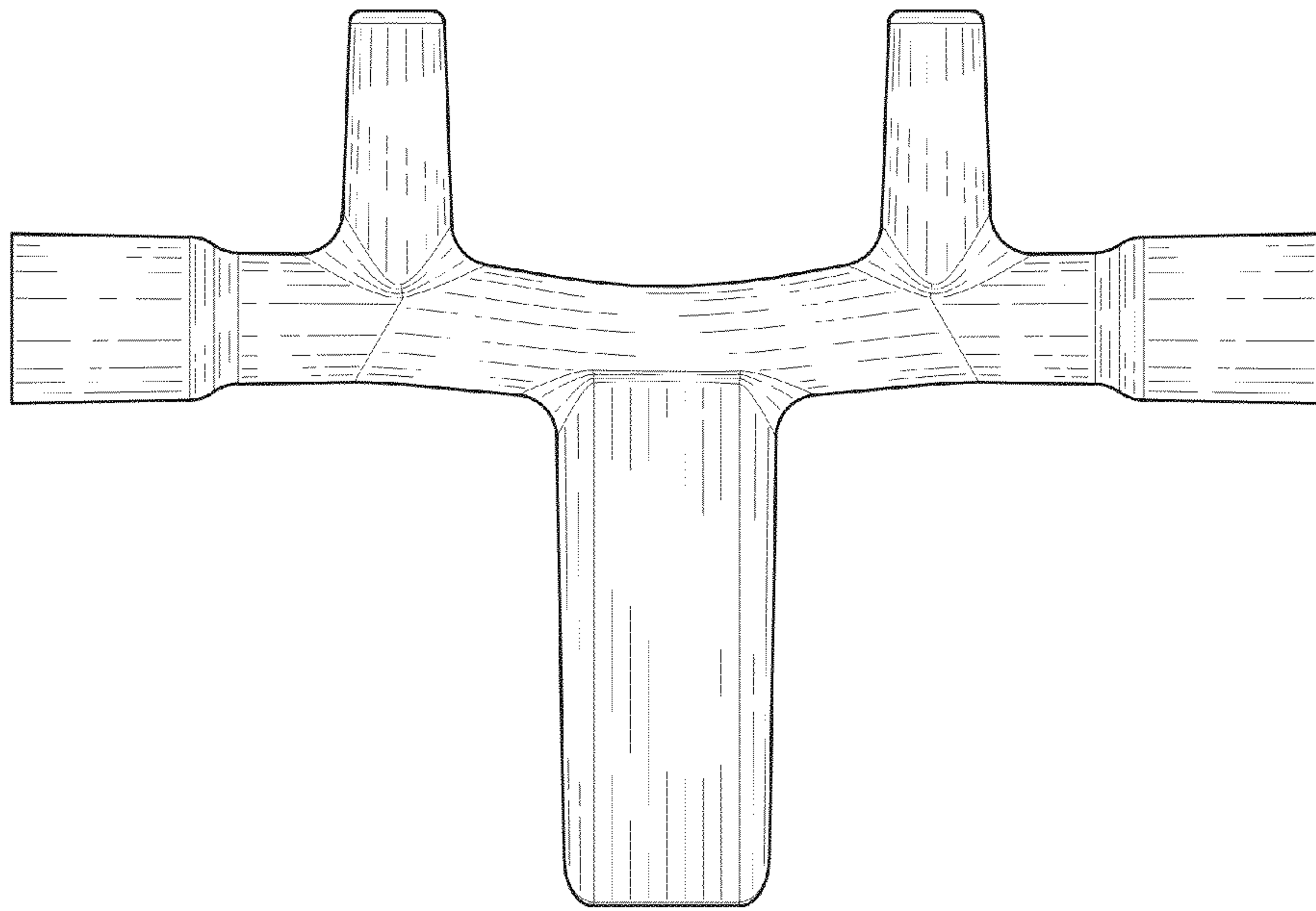


FIG. 6

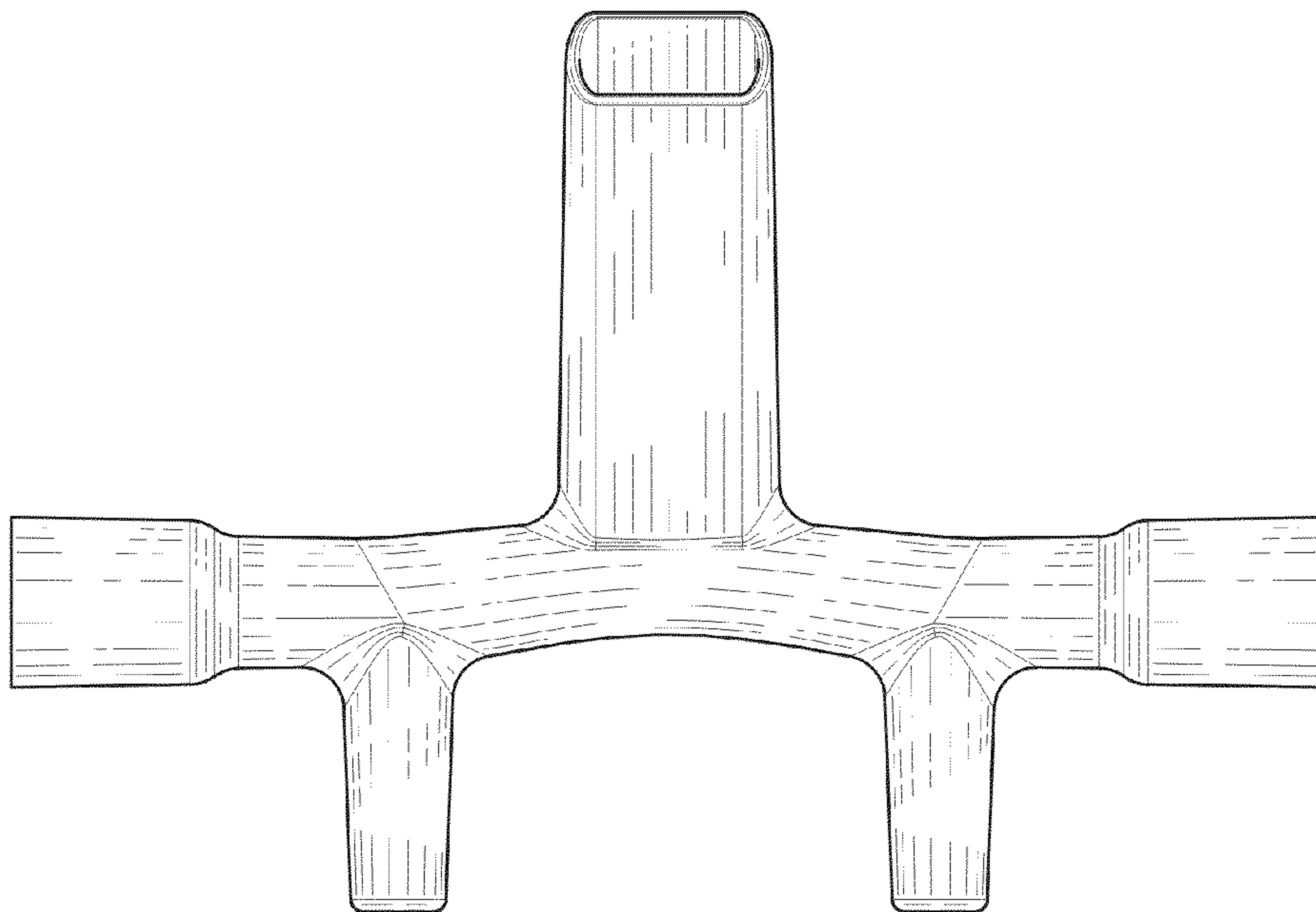


FIG. 7