



US00D744634S

(12) **United States Design Patent**  
**Wang**

(10) **Patent No.:** **US D744,634 S**  
(45) **Date of Patent:** **\*\* Dec. 1, 2015**

- (54) **CEILING FAN MOTOR HOUSING WITH LIGHT BASE**
- (71) Applicant: **YOUNGO LIMITED**, Hong Kong (CN)
- (72) Inventor: **Cliff Wang**, Taichung (TW)
- (73) Assignee: **YOUNGO LIMITED**, Hong Kong (CN)
- (\*\*) Term: **14 Years**
- (21) Appl. No.: **29/504,372**
- (22) Filed: **Oct. 5, 2014**
- (51) **LOC (10) Cl.** ..... **23-04**
- (52) **U.S. Cl.**  
USPC ..... **D23/411**
- (58) **Field of Classification Search**  
USPC ..... D23/370–385, 411–414, 59;  
392/360–364  
CPC ..... F04D 29/34; F04D 29/38; F04D 25/088  
See application file for complete search history.

D530,414 S *	10/2006	Hoshino	.....	D23/377
D609,324 S *	2/2010	Lee	.....	D23/377
D609,799 S *	2/2010	Lee	.....	D23/377
D627,873 S *	11/2010	Pan	.....	D23/411
D627,874 S *	11/2010	Pan	.....	D23/411
D705,921 S *	5/2014	Wang	.....	D23/385
D708,315 S *	7/2014	Wang	.....	D23/377
D710,490 S *	8/2014	Shurtleff	.....	D23/411
D715,917 S *	10/2014	Hidalgo	.....	D23/377

\* cited by examiner

*Primary Examiner* — Sandra Snapp  
(74) *Attorney, Agent, or Firm* — Pai Patent & Trademark Law Firm; Chao-Chang David Pai

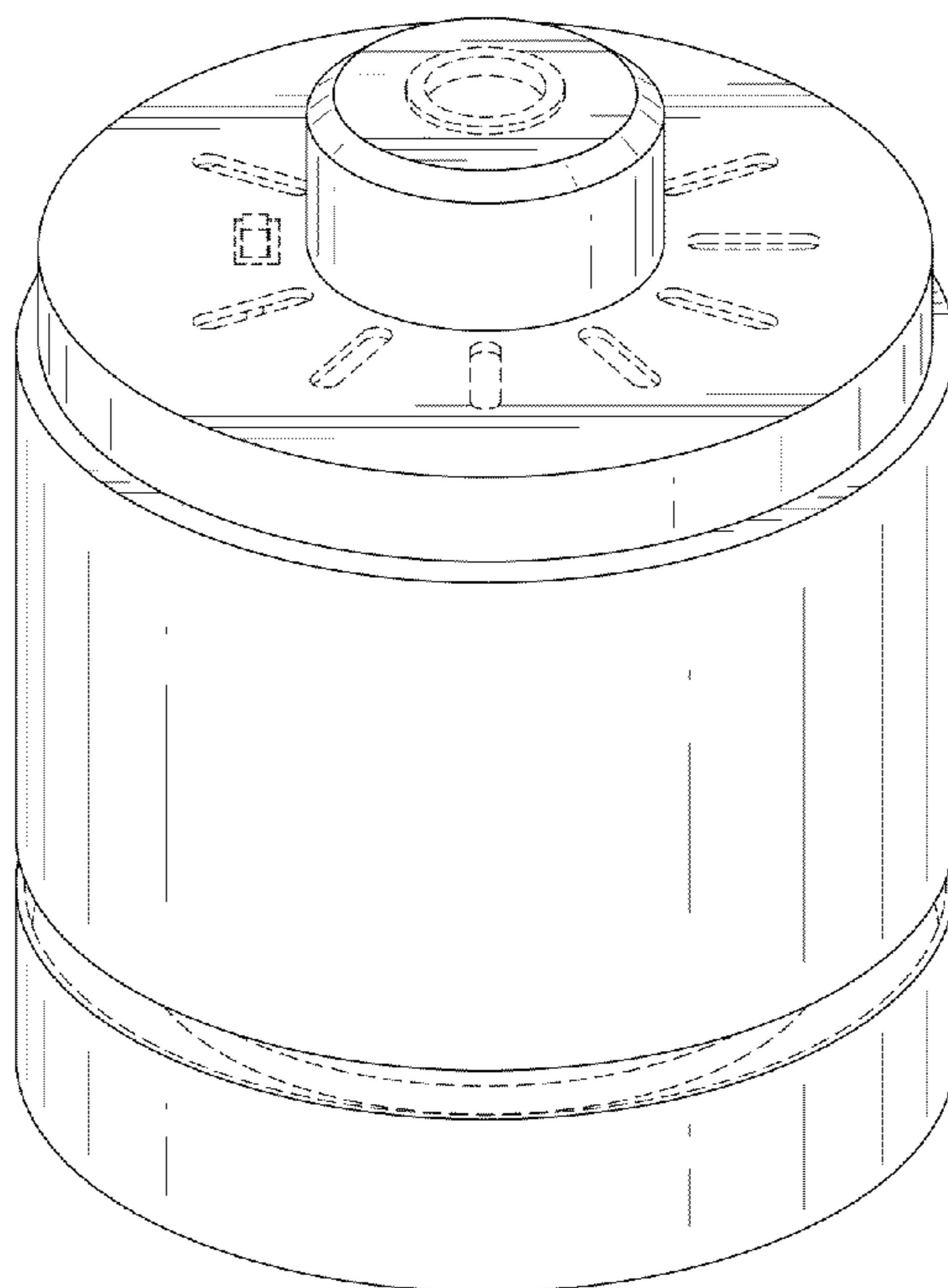
(57) **CLAIM**  
The ornamental design for a ceiling fan motor housing with light base, as shown and described.

**DESCRIPTION**

FIG. 1 is a front perspective view of a ceiling fan motor housing with light base showing my new design; FIG. 2 is a front elevational view thereof; FIG. 3 is a rear elevational view thereof; FIG. 4 is a left side elevational view thereof; FIG. 5 is a right side elevational view thereof; FIG. 6 is a top plan view thereof; FIG. 7 is a bottom plan view thereof; and, FIG. 8 is another front perspective view thereof. The broken lines are for the purpose of illustrating environmental structure and form no part of the claimed design.

**1 Claim, 5 Drawing Sheets**

- (56) **References Cited**  
U.S. PATENT DOCUMENTS
- |               |        |           |       |                       |
|---------------|--------|-----------|-------|-----------------------|
| D284,304 S *  | 6/1986 | Harber    | ..... | 416/5                 |
| 4,592,702 A * | 6/1986 | Bogage    | ..... | F04D 25/088<br>310/89 |
| D303,425 S *  | 9/1989 | Sonneman  | ..... | D23/377               |
| D328,785 S *  | 8/1992 | Markwardt | ..... | D23/377               |
| D344,129 S *  | 2/1994 | Markwardt | ..... | D23/377               |
| D345,790 S *  | 4/1994 | Caldwell  | ..... | D23/377               |
| D377,975 S *  | 2/1997 | Young     | ..... | D23/377               |
| D484,964 S *  | 1/2004 | Young     | ..... | D23/377               |



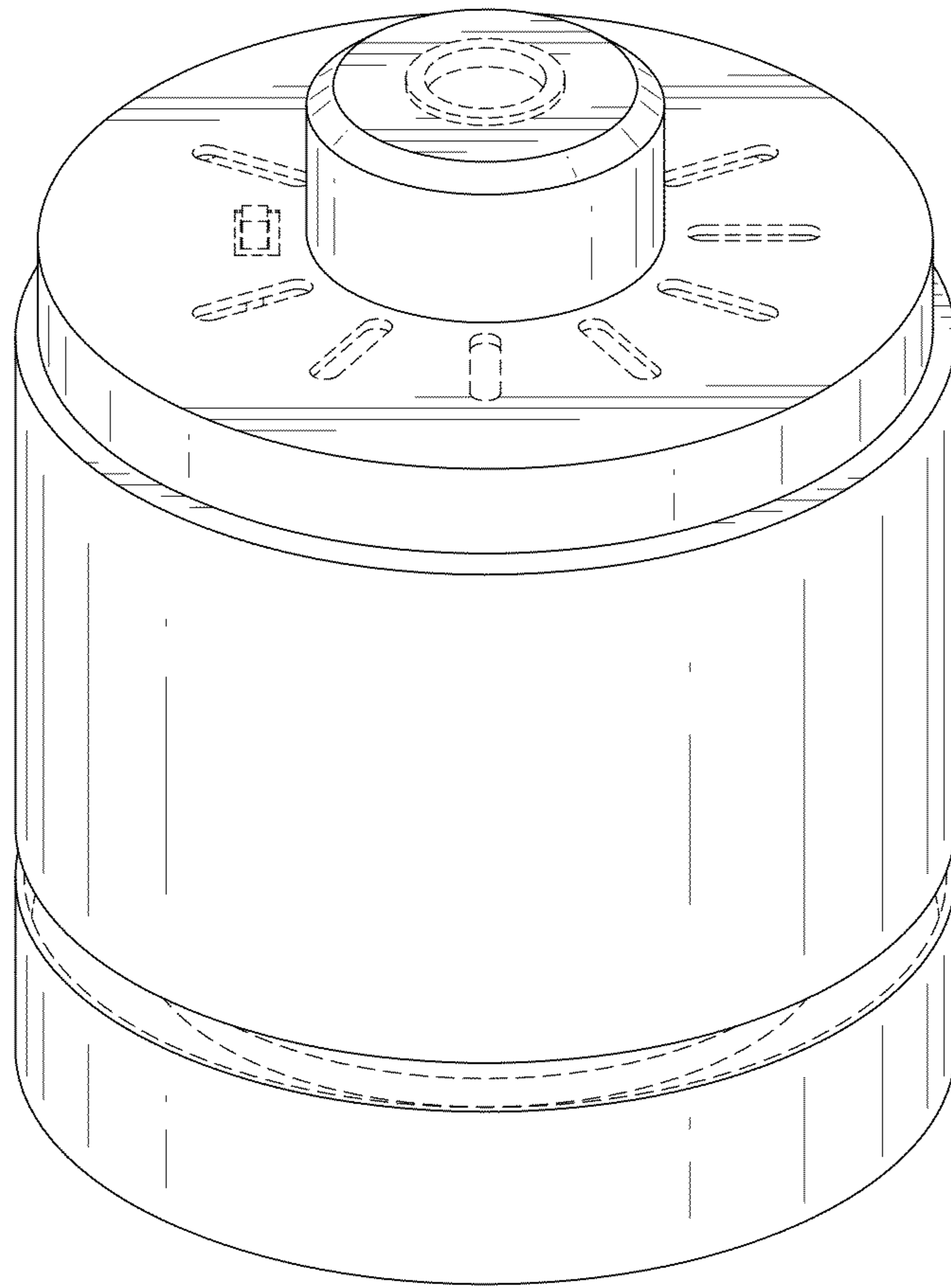


FIG. 1

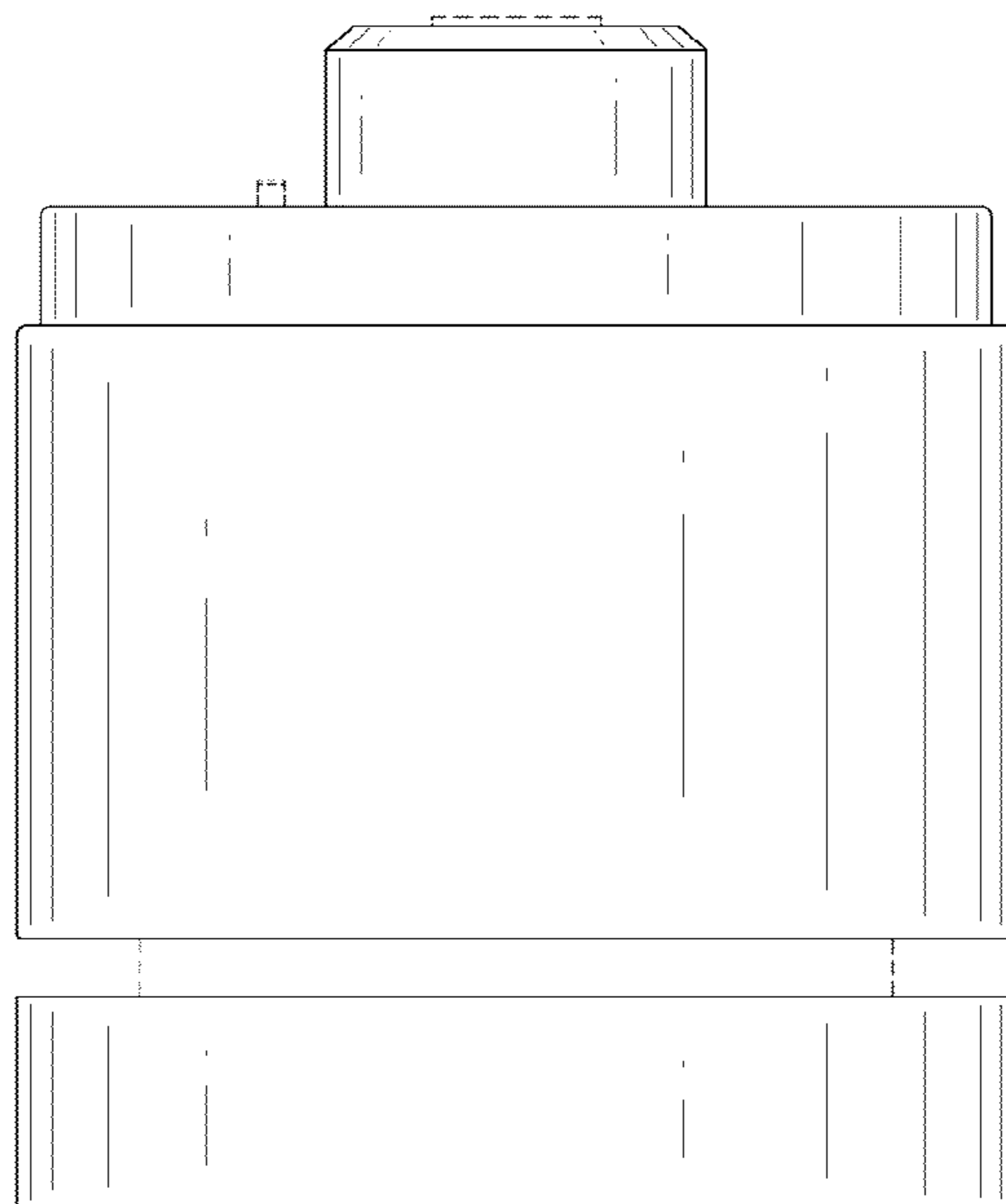


FIG. 2

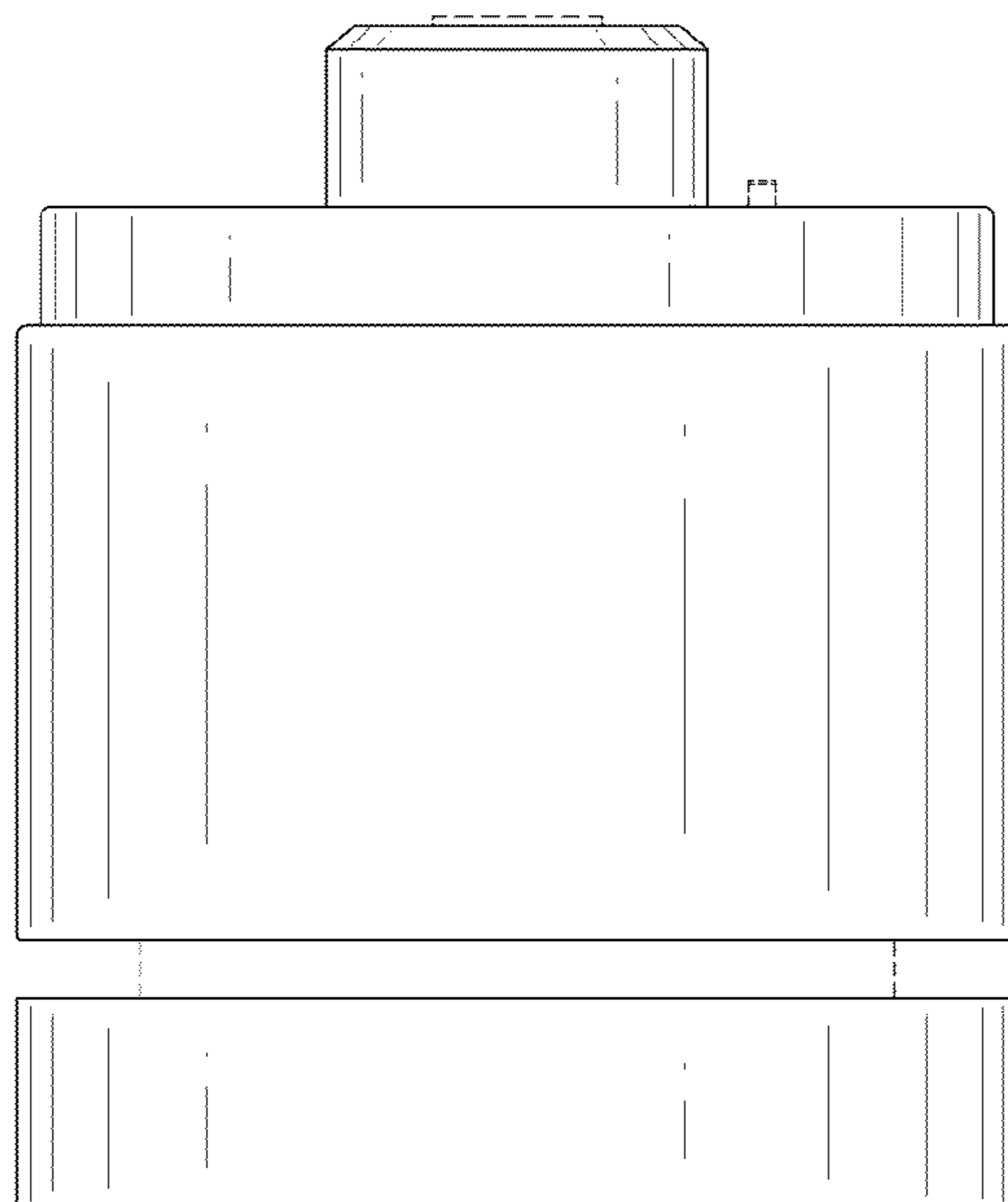


FIG. 3

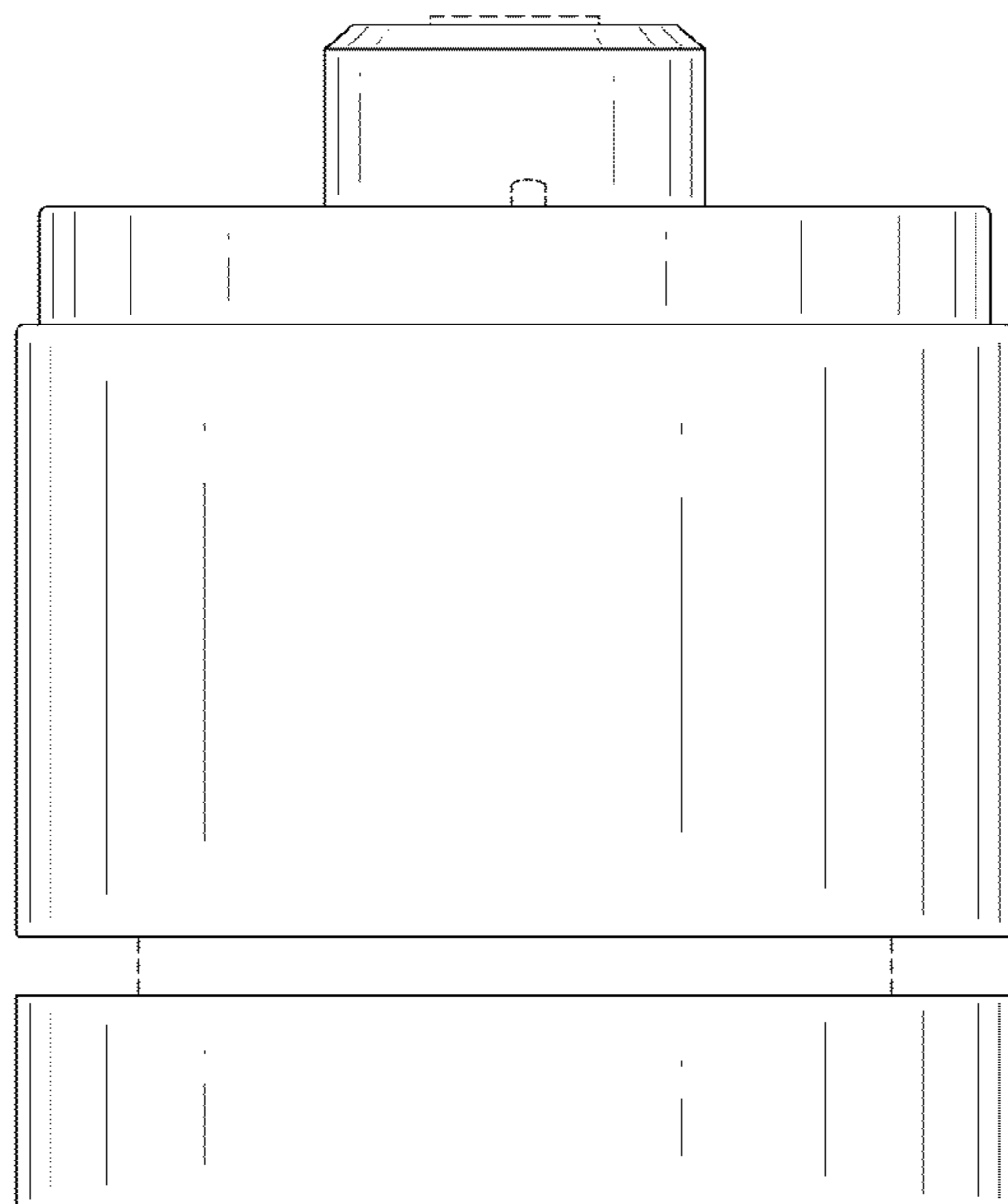


FIG. 4

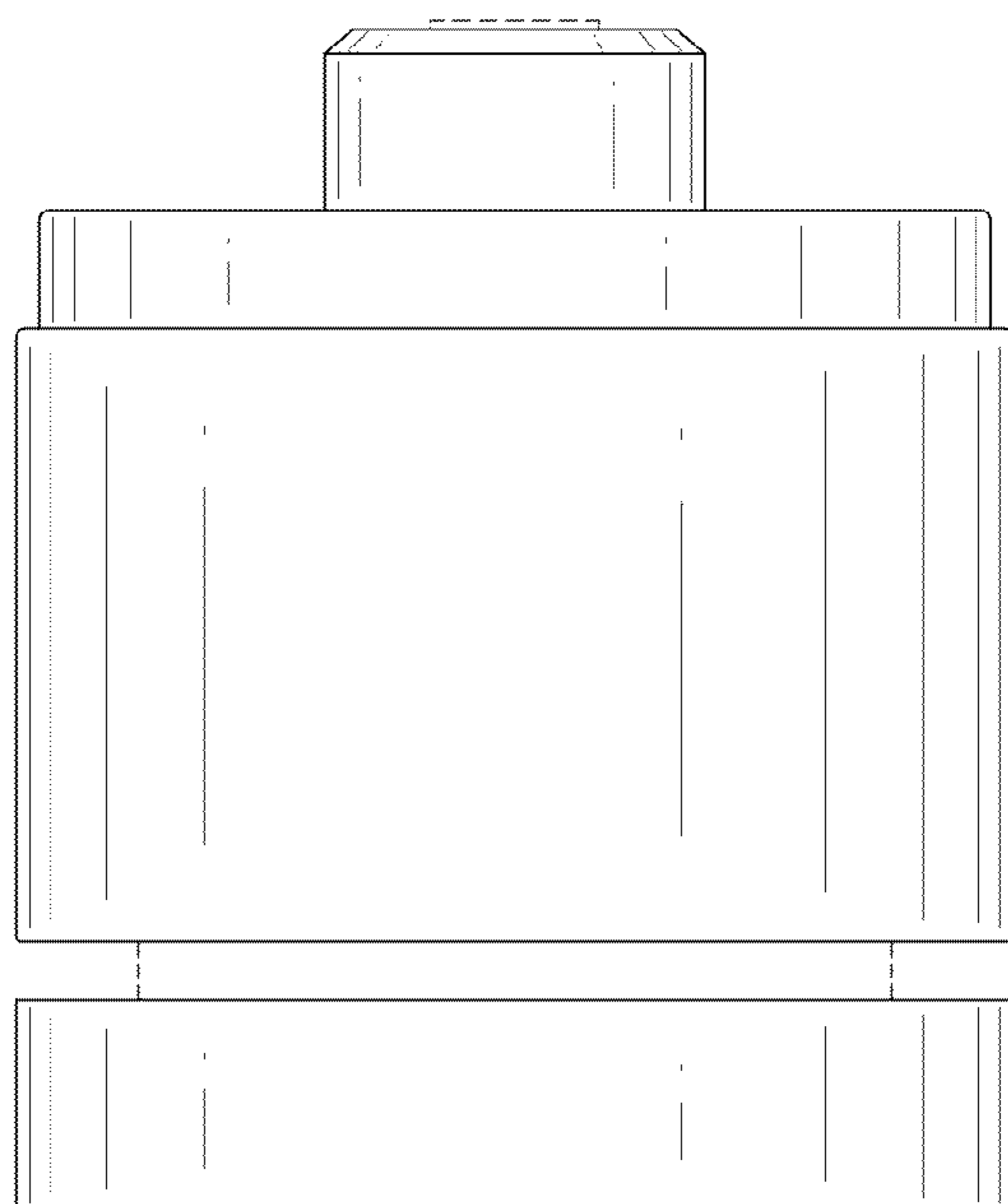


FIG. 5

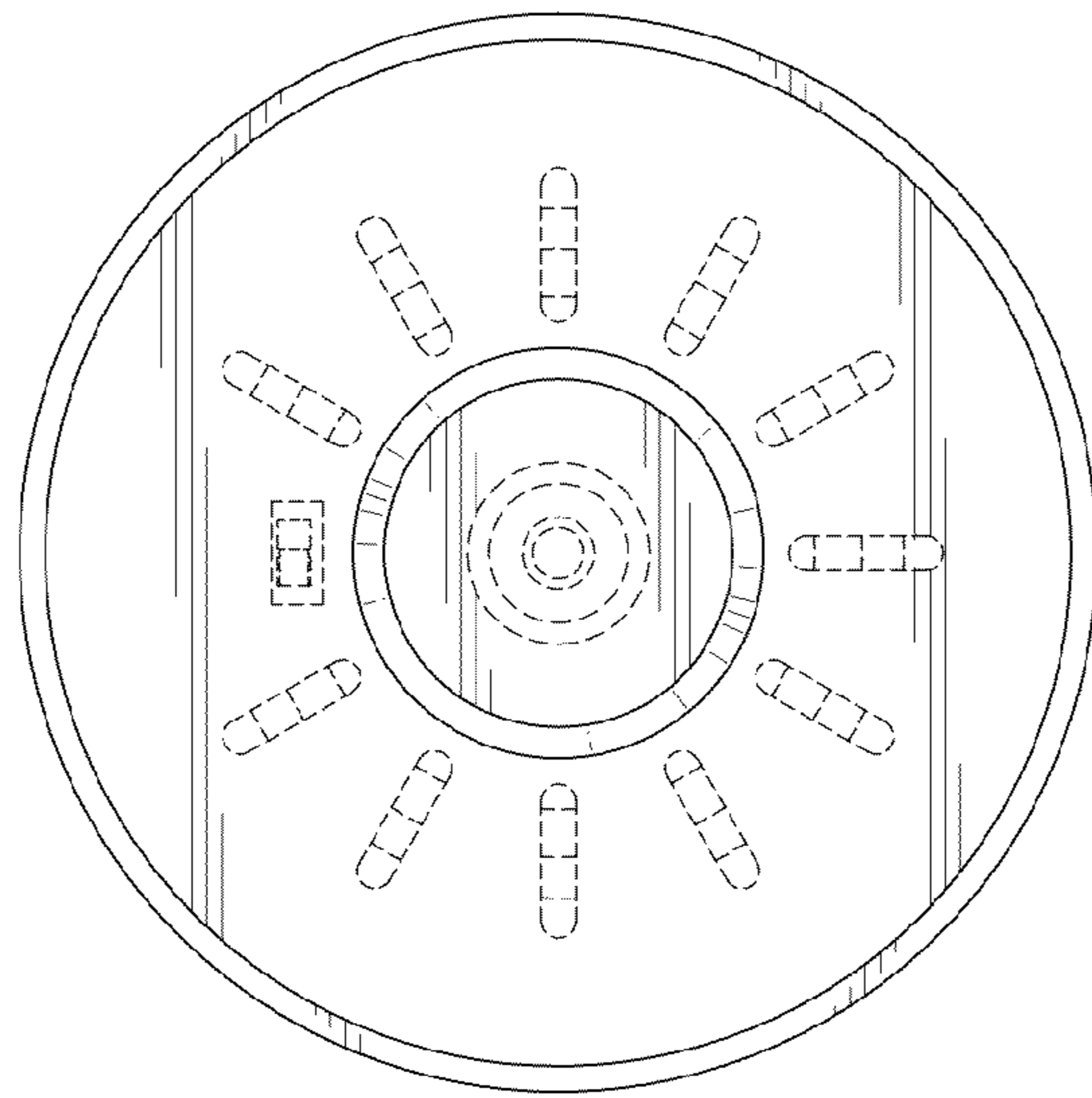


FIG. 6

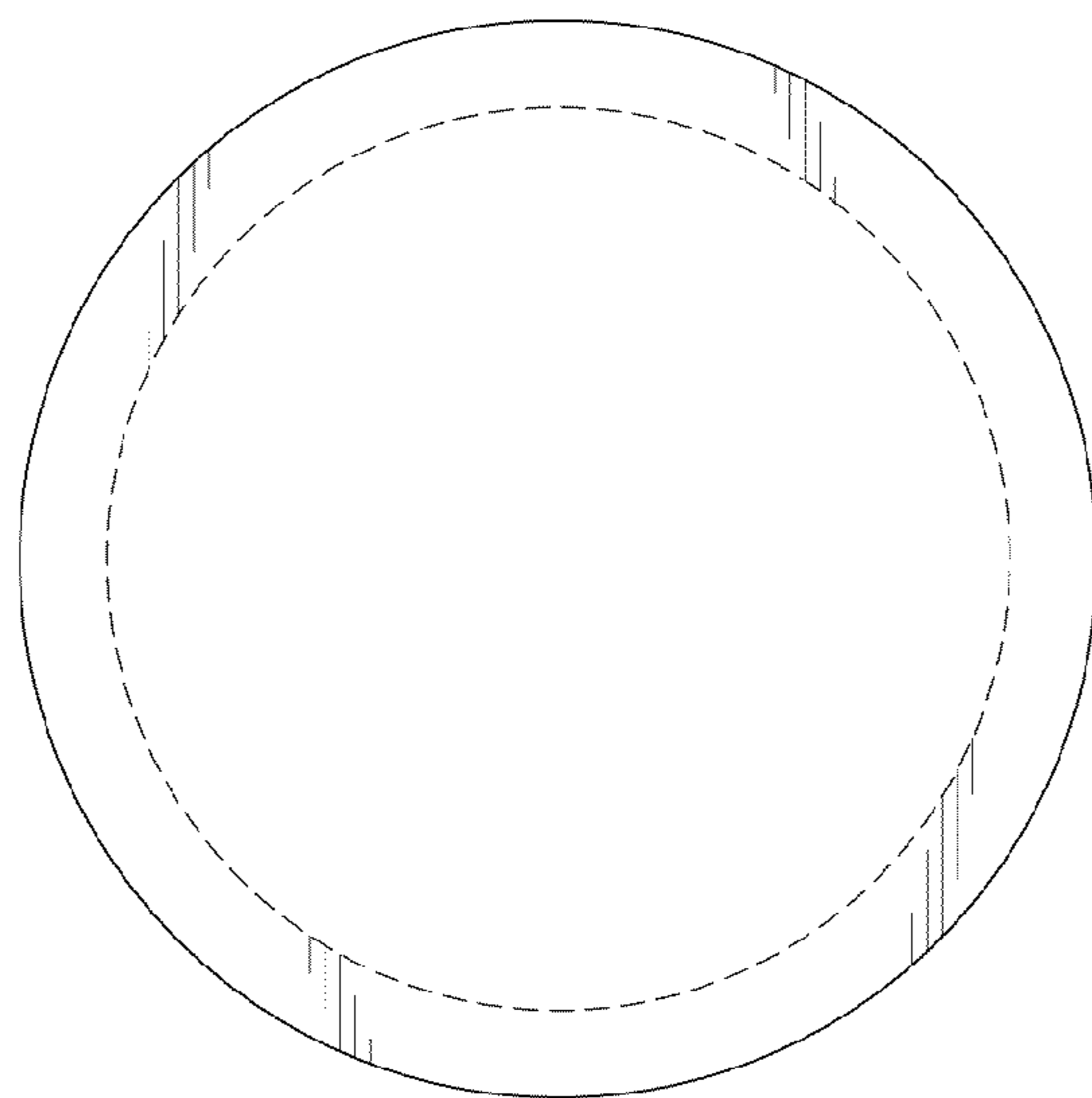


FIG. 7

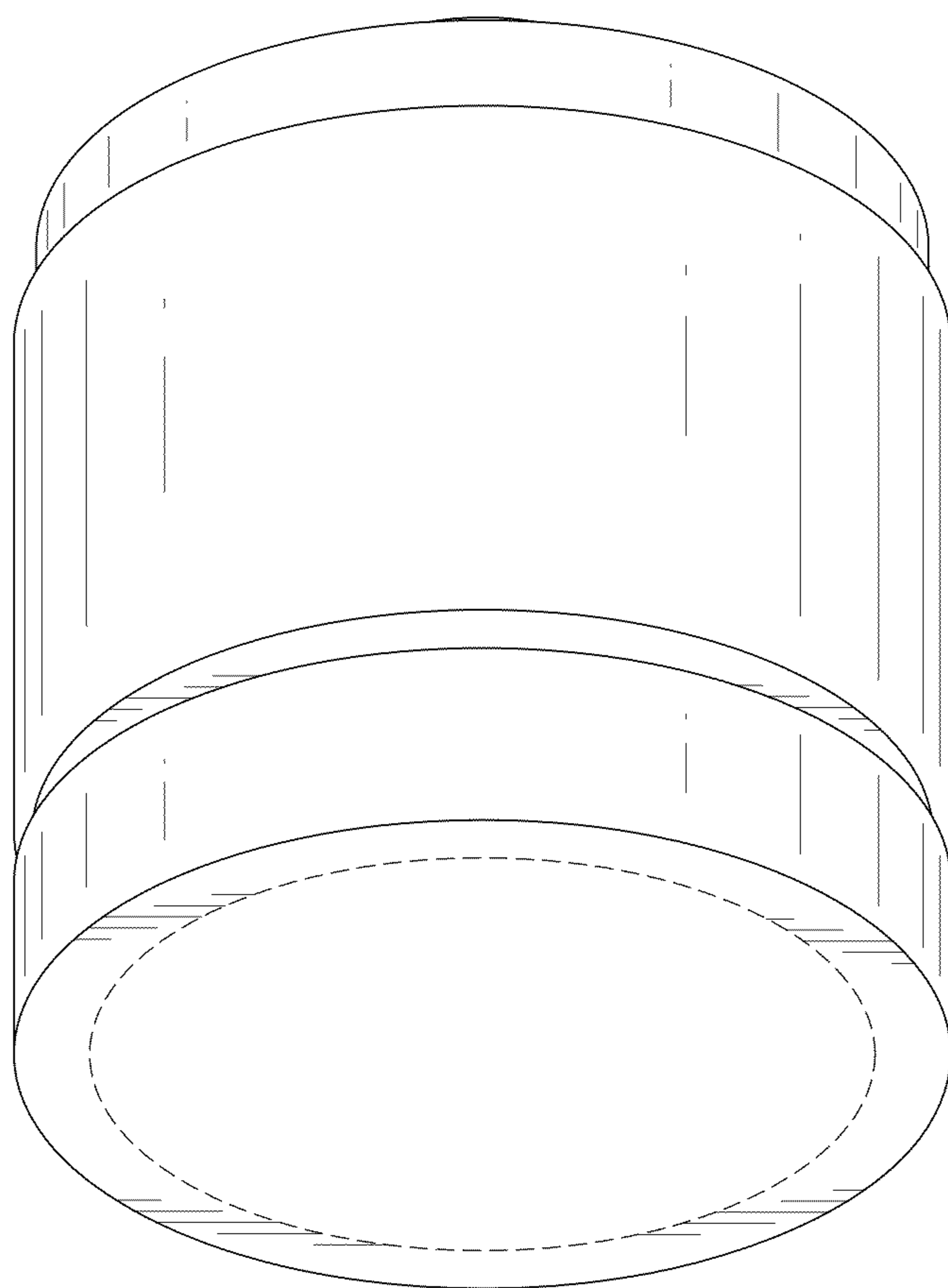


FIG. 8