



US00D744633S

(12) **United States Design Patent**  
**Wang**

(10) **Patent No.:** **US D744,633 S**  
(45) **Date of Patent:** **\*\* Dec. 1, 2015**

(54) **CEILING FAN MOTOR HOUSING WITH LIGHT KIT**

(71) Applicant: **AIR COOL INDUSTRIAL CO., LTD.,**  
Taichung (TW)

(72) Inventor: **Cliff Wang,** Taichung (TW)

(73) Assignee: **AIR COOL INDUSTRIAL CO., LTD.,**  
Taichung (TW)

(\*\*) Term: **14 Years**

(21) Appl. No.: **29/498,277**

(22) Filed: **Aug. 1, 2014**

(51) **LOC (10) Cl.** ..... **23-04**

(52) **U.S. Cl.**  
USPC ..... **D23/411; D26/59**

(58) **Field of Classification Search**  
USPC ..... D23/377, 370-376, 378-394, 411-414,  
D23/499; 416/5, 62, 170 R, 214 R, 184, 206,  
416/207, 210 R, 220 R, 241 R, 244 R, 248,  
416/223 R, 232, 234, 242; 417/423.1;  
392/361, 364; D26/51, 59, 72, 83, 92  
CPC ..... F04D 25/088; F04D 29/00; F04D 29/005;  
F04D 29/34; F04D 29/40; F21V 33/00;  
F21V 33/0088; F21V 33/0096  
See application file for complete search history.

(56) **References Cited**

**U.S. PATENT DOCUMENTS**

D372,774 S \* 8/1996 Holbrook ..... D23/377  
D382,636 S \* 8/1997 Yang ..... D23/377  
D396,530 S \* 7/1998 Tai ..... D23/377  
D407,155 S \* 3/1999 Liu ..... D23/377

D448,840 S \* 10/2001 Gajewski ..... D23/377  
D476,728 S \* 7/2003 Gajewski ..... D23/377  
D551,753 S \* 9/2007 Ertze ..... D23/411  
D553,731 S \* 10/2007 Bucher ..... D23/411  
D599,461 S \* 9/2009 Ertze ..... D23/377  
D607,096 S \* 12/2009 Searle ..... D23/377  
2009/0129974 A1 \* 5/2009 McEllen ..... A61L 9/205  
422/24  
2011/0052411 A1 \* 3/2011 Yamamoto ..... F04D 25/08  
416/244 R  
2015/0192136 A1 \* 7/2015 Yao ..... F04D 29/34  
416/204 R

\* cited by examiner

*Primary Examiner* — Susan Bennett Hattan

*Assistant Examiner* — Marie Fast Horse

(74) *Attorney, Agent, or Firm* — Ming Chow; Sinorica, LLC

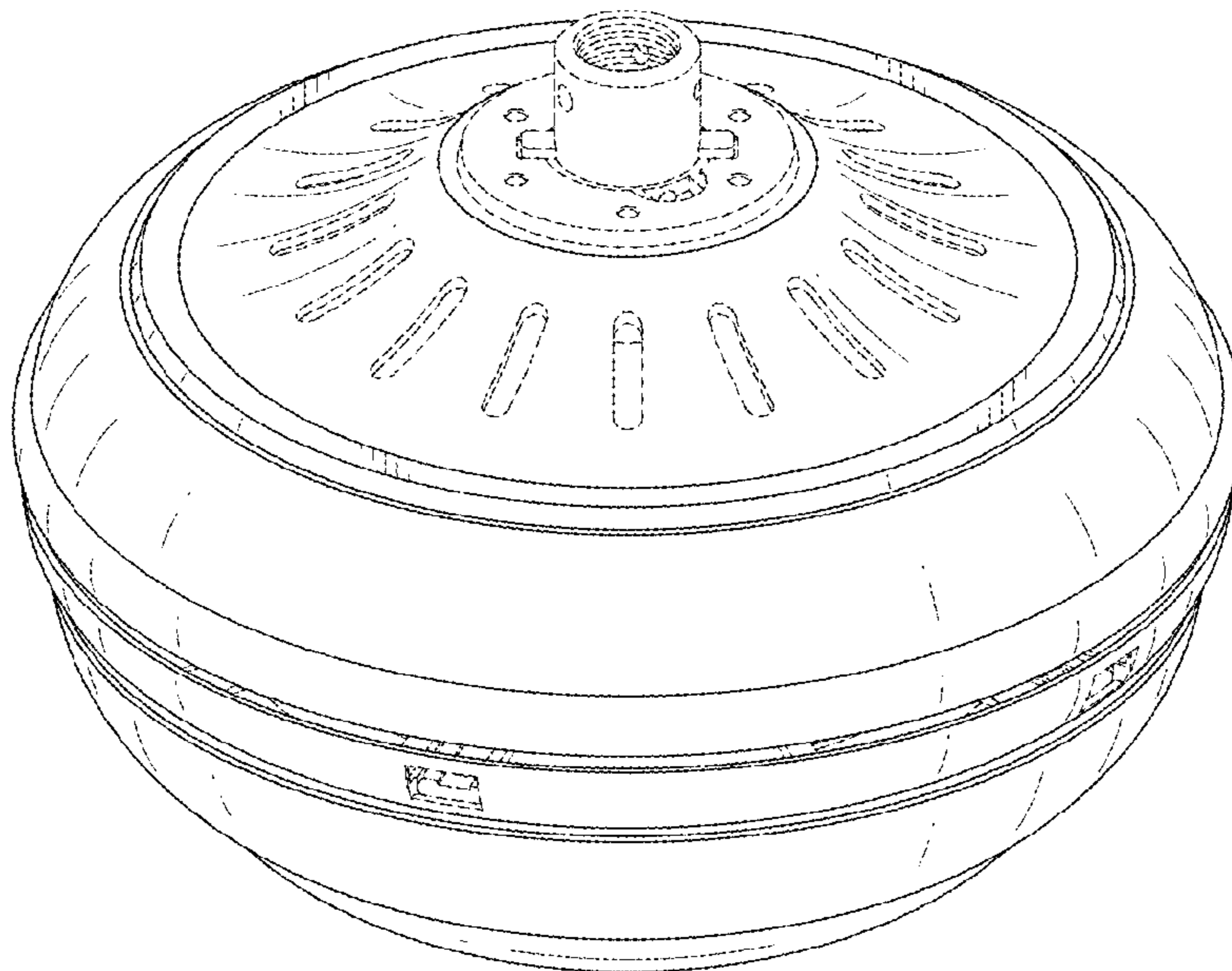
(57) **CLAIM**

I claim the ornamental design for a ceiling fan motor housing with light kit, as shown and described.

**DESCRIPTION**

FIG. 1 is a front perspective view of a ceiling fan motor housing with light kit showing my new design;  
FIG. 2 is a front elevational view thereof;  
FIG. 3 is a rear elevational view thereof;  
FIG. 4 is a left side elevational view thereof;  
FIG. 5 is a right side elevational view thereof;  
FIG. 6 is a top plan view thereof;  
FIG. 7 is a bottom plan view thereof; and,  
FIG. 8 is another front perspective view.  
The broken lines in the drawings depict parts of the ceiling fan motor housing with light kit that form no part of the claimed design.

**1 Claim, 6 Drawing Sheets**



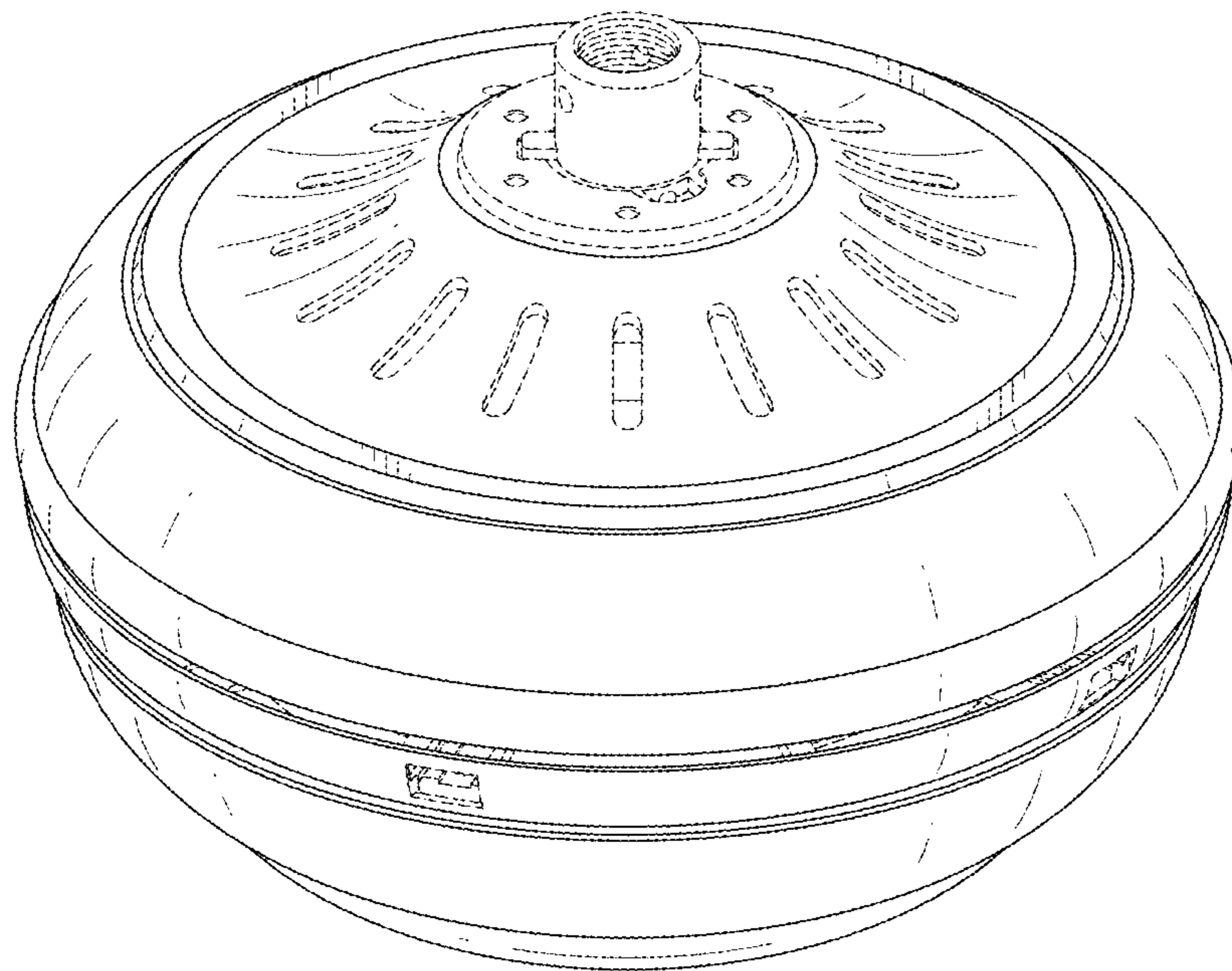


FIG. 1

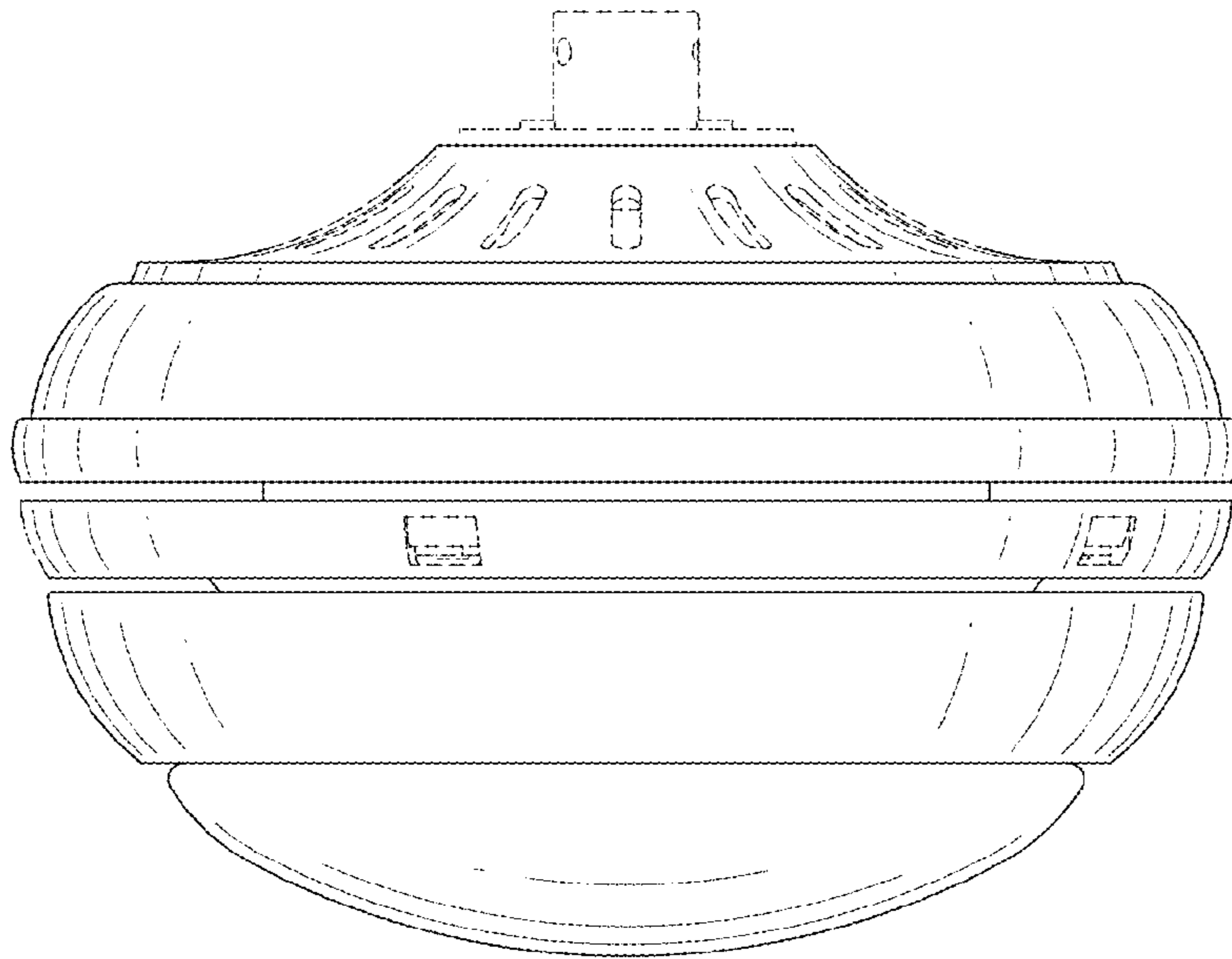


FIG. 2

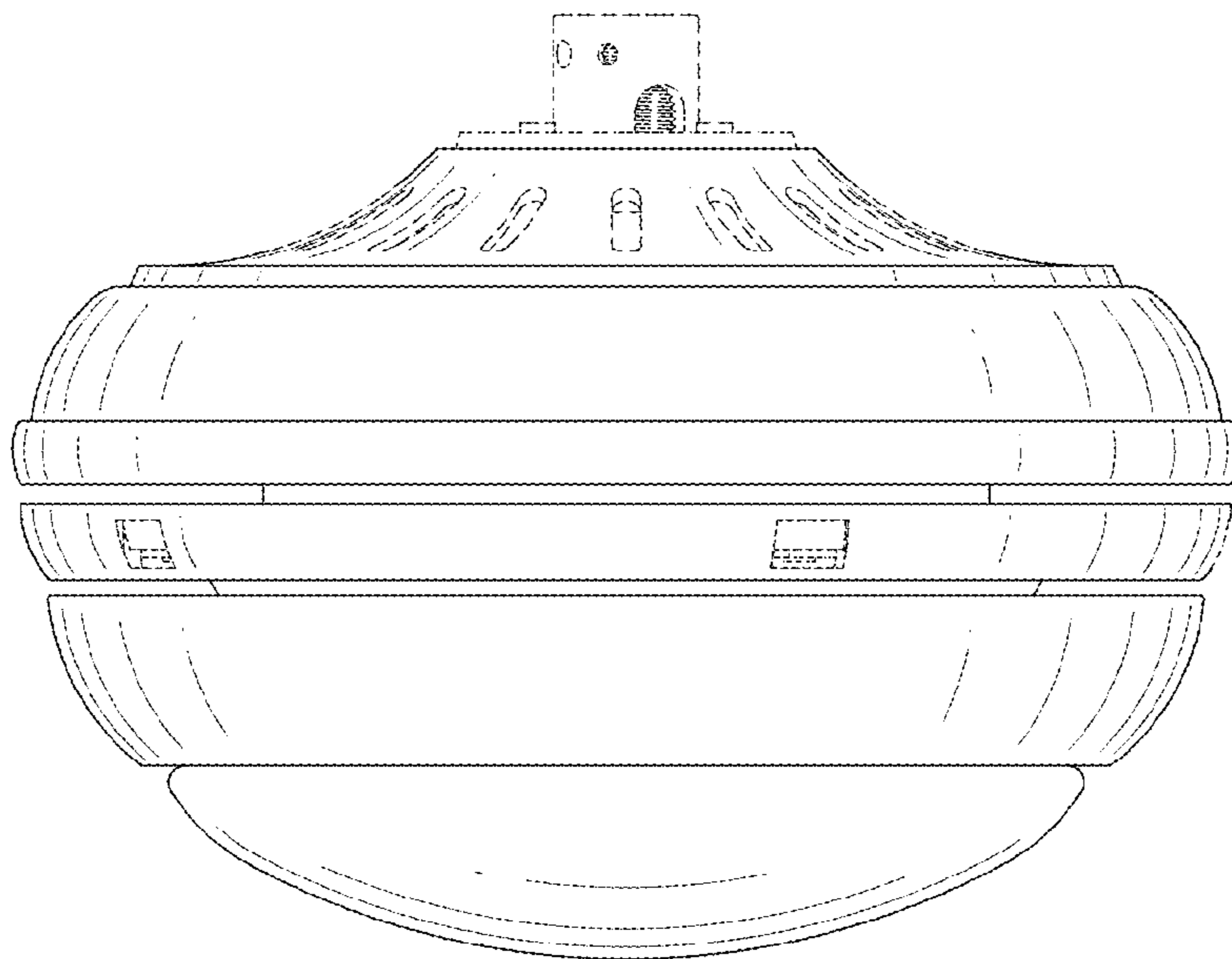


FIG. 3

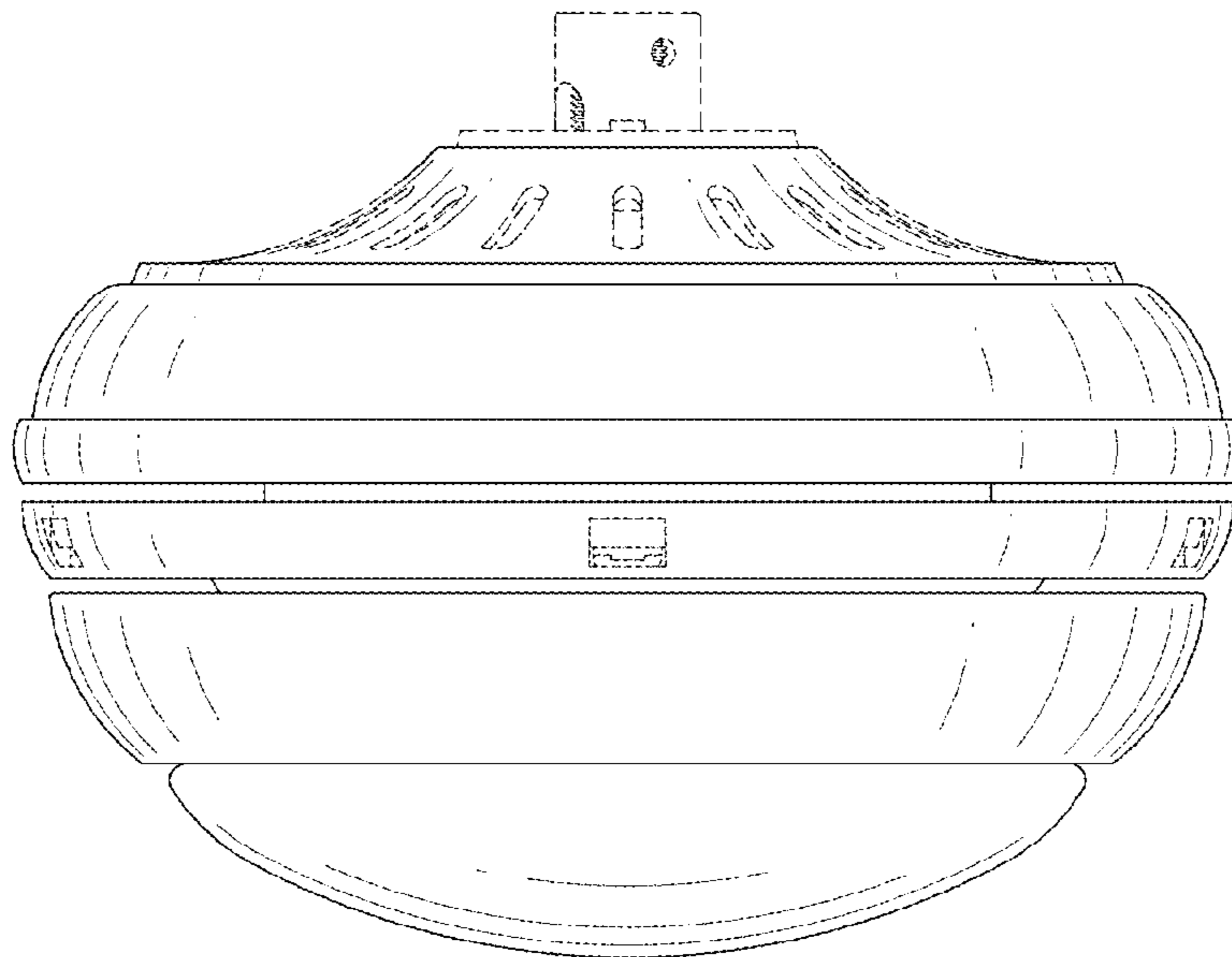


FIG. 4

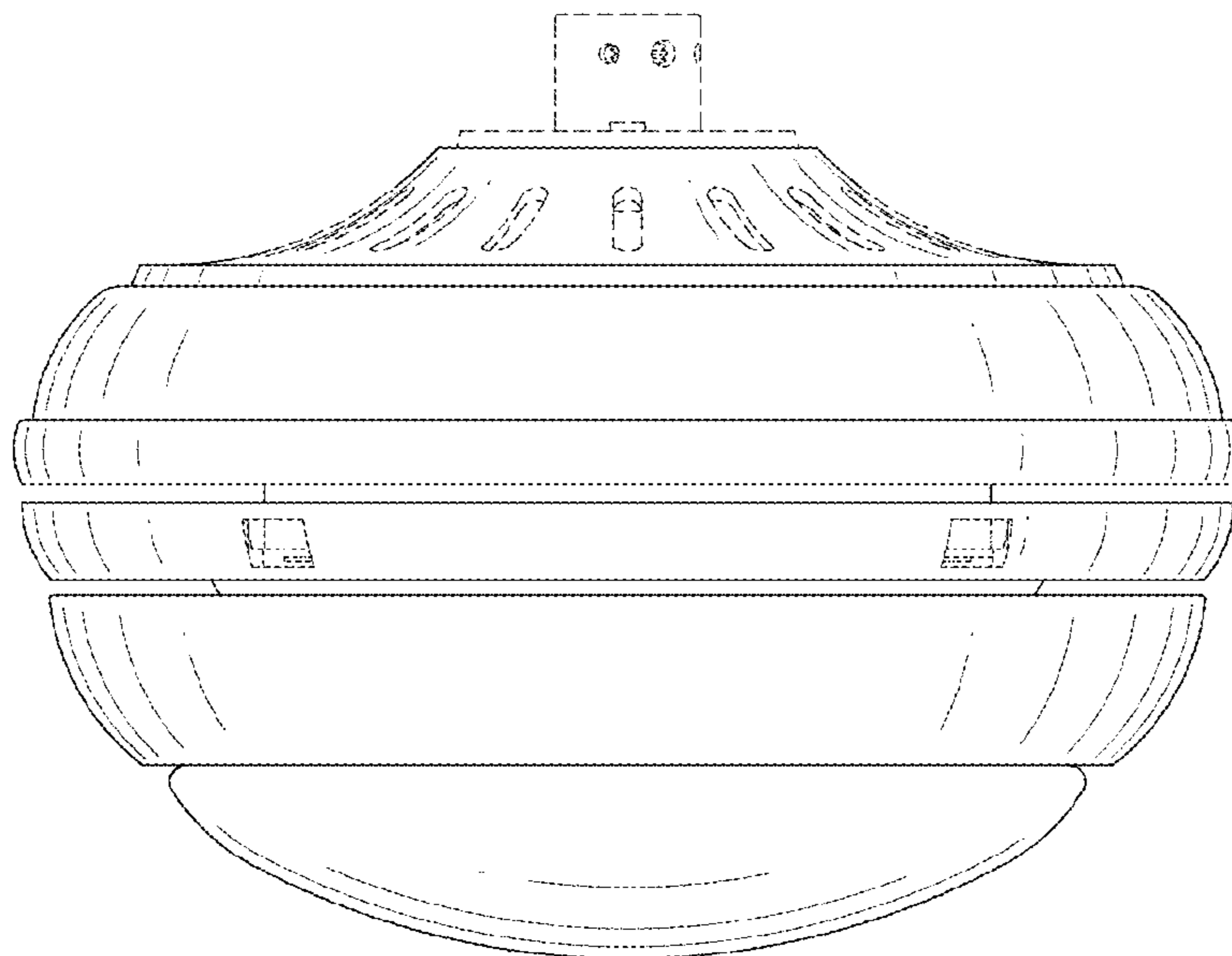


FIG. 5

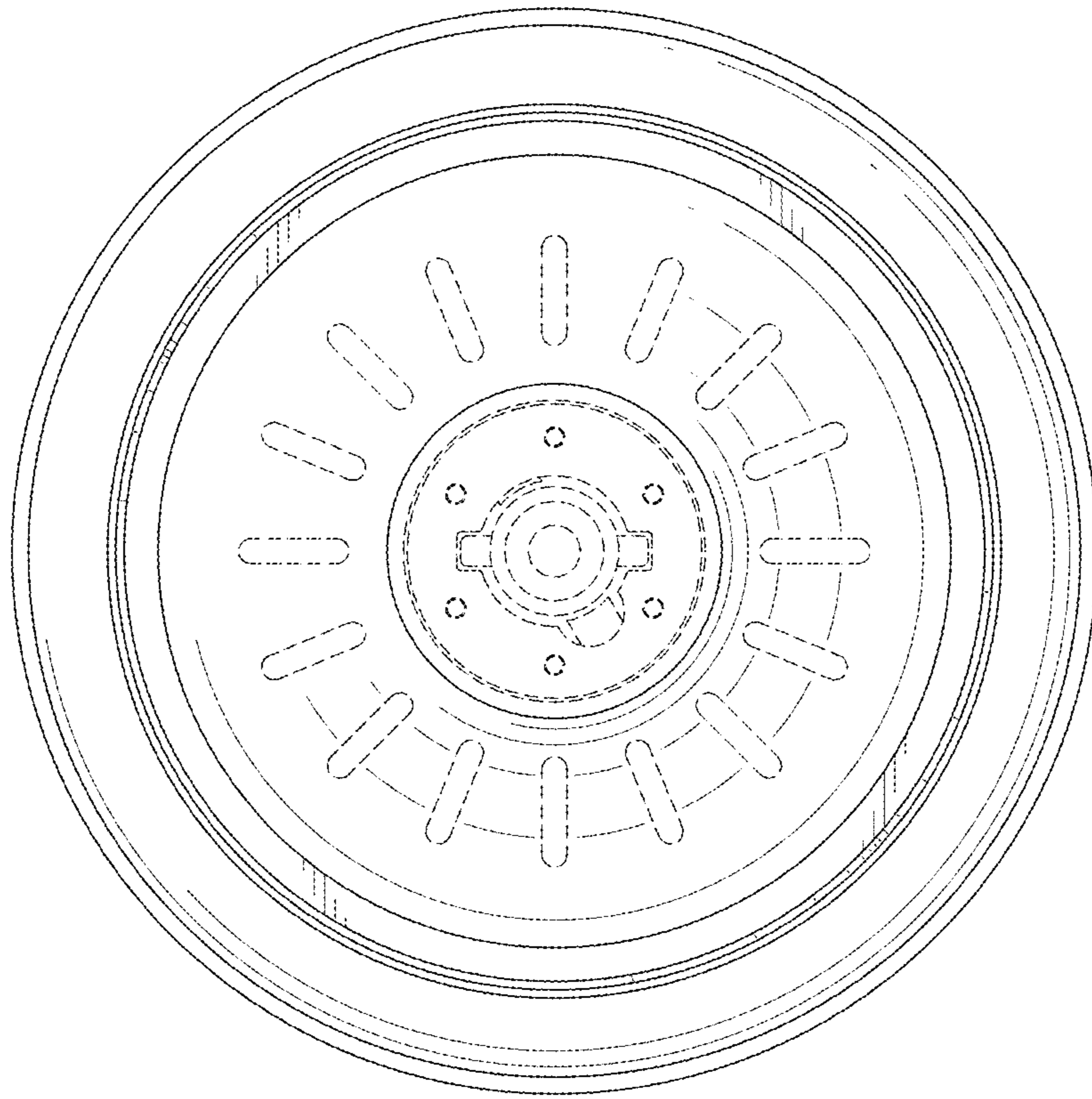


FIG. 6

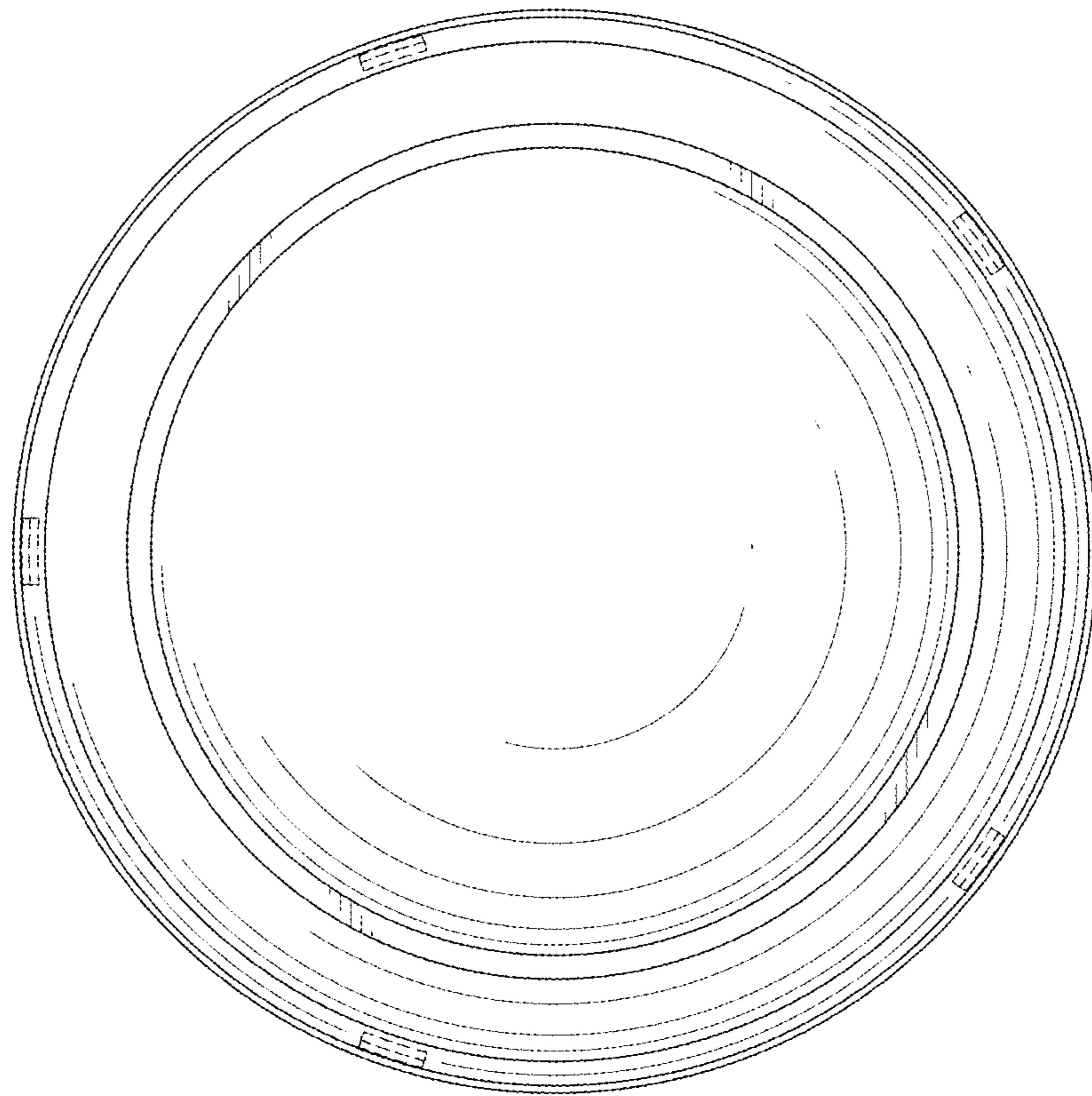


FIG. 7

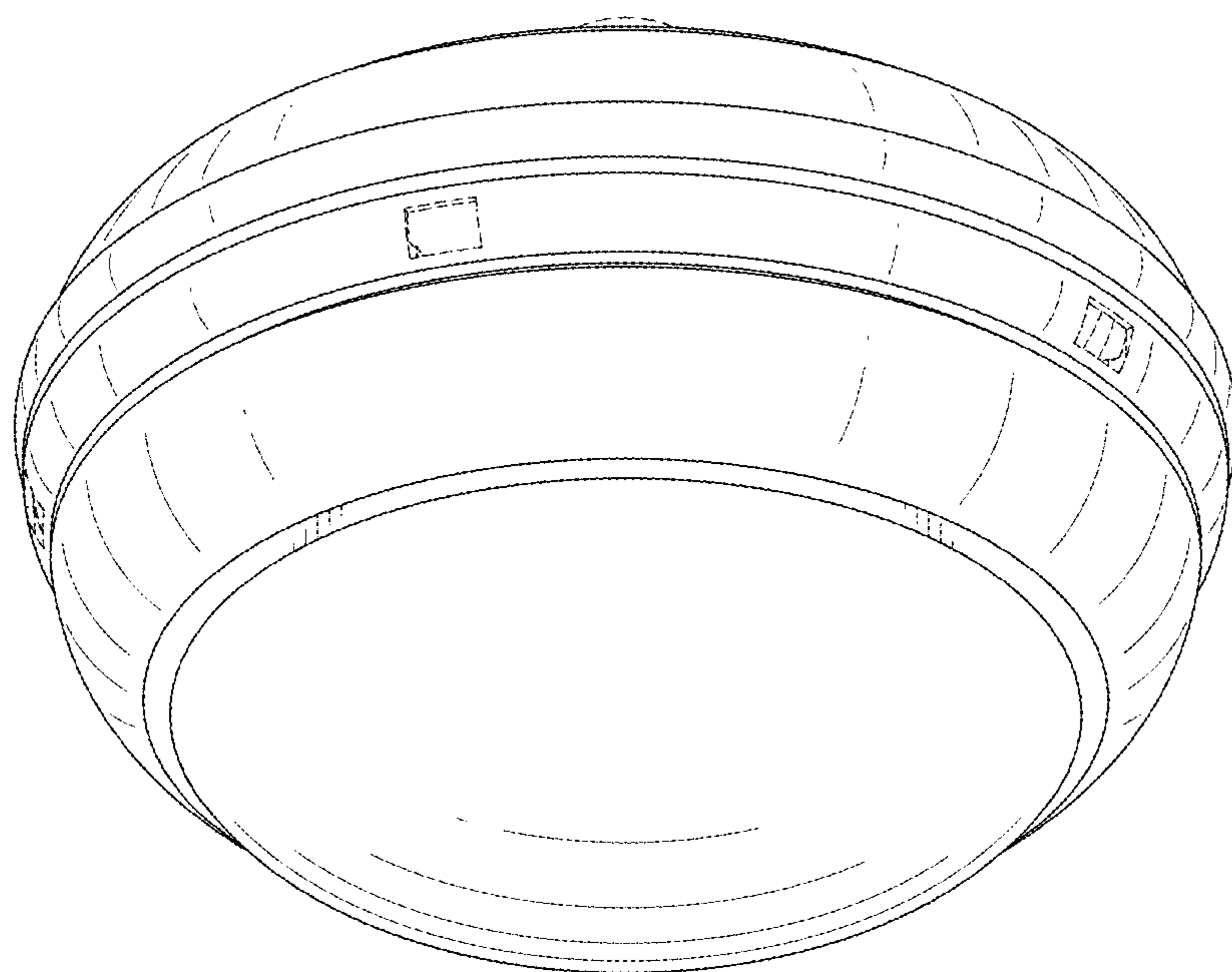


FIG. 8