



US00D744632S

(12) **United States Design Patent**  
**Ehlert et al.**

(10) **Patent No.:** **US D744,632 S**  
(45) **Date of Patent:** **\*\* Dec. 1, 2015**

(54) **AIR VENT HOUSING**

(71) Applicant: **TSI Products, Inc.**, Arlington, TX (US)

(72) Inventors: **John H. Ehlert**, Dallas, TX (US);  
**Stephen William O'Brien**, Fort Worth, TX (US)

(73) Assignee: **TSI Products, Inc.**, Arlington, TX (US)

(\*\*) Term: **14 Years**

(21) Appl. No.: **29/489,802**

(22) Filed: **May 2, 2014**

(51) **LOC (10) Cl.** ..... **23-04**

(52) **U.S. Cl.**  
USPC ..... **D23/393**

(58) **Field of Classification Search**

USPC ..... D23/385-395, 397, 370-373, 365, 351,  
D23/354, 399-403, 421, 499; 454/309,  
454/275-277, 284, 287-291, 358-363;  
52/302.1, 32.07; 285/229, 189, 183,  
285/123.1, 15, 114, 110, 424, 197; 165/59;  
34/97

CPC ..... B60H 1/00514; B60H 1/00028  
See application file for complete search history.

(56) **References Cited**

**U.S. PATENT DOCUMENTS**

D239,031 S \* 3/1976 Madlem ..... D13/155  
D355,482 S \* 2/1995 Grigsby, Jr. .... D15/5

D468,798 S \* 1/2003 Wilder ..... D23/209  
D593,190 S \* 5/2009 Glass ..... D23/365  
D671,630 S \* 11/2012 Hideharu ..... D23/382  
D692,993 S \* 11/2013 Warren ..... D23/364  
D694,870 S \* 12/2013 Watson ..... D23/341  
D709,592 S \* 7/2014 Bertuccelli ..... D23/209  
D717,415 S \* 11/2014 Ehlert ..... D23/314

\* cited by examiner

*Primary Examiner* — David Muller

*Assistant Examiner* — Nathan Johnston

(74) *Attorney, Agent, or Firm* — Hitchcock Evert LLP

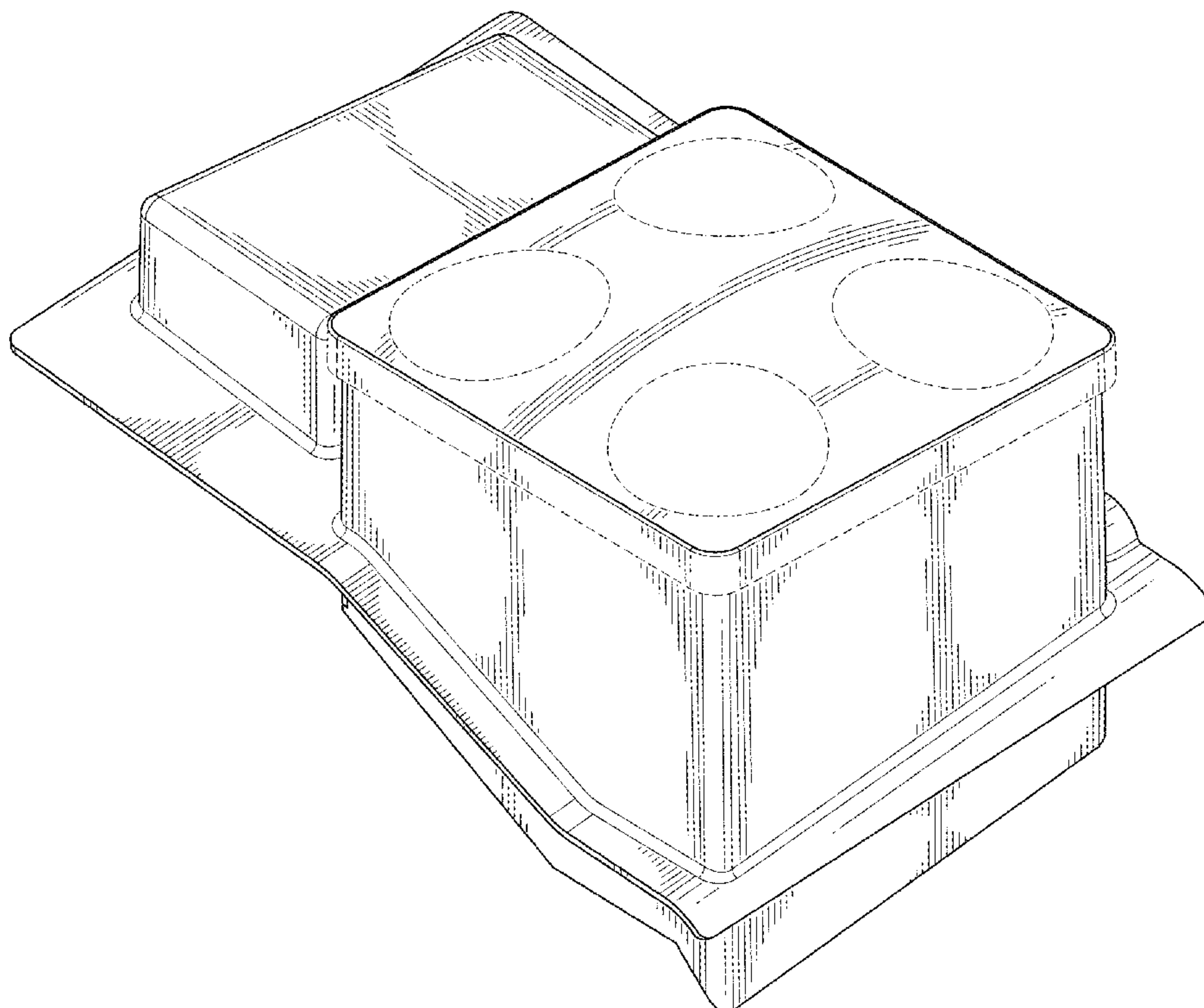
(57) **CLAIM**

The ornamental design for an air vent housing, as shown and described.

**DESCRIPTION**

FIG. 1 is a perspective view from the top-right of the air vent housing showing our new design;  
FIG. 2 is a front elevation view thereof;  
FIG. 3 is a back elevation view thereof;  
FIG. 4 is a right side elevation view thereof;  
FIG. 5 is a left side elevation view thereof;  
FIG. 6 is a top plan view thereof; and  
FIG. 7 is a bottom plan view thereof; and  
FIG. 8 is a perspective view from the bottom-left thereof.  
The features shown in broken lines depict environmental subject matter only and form no part of the claimed design.

**1 Claim, 8 Drawing Sheets**



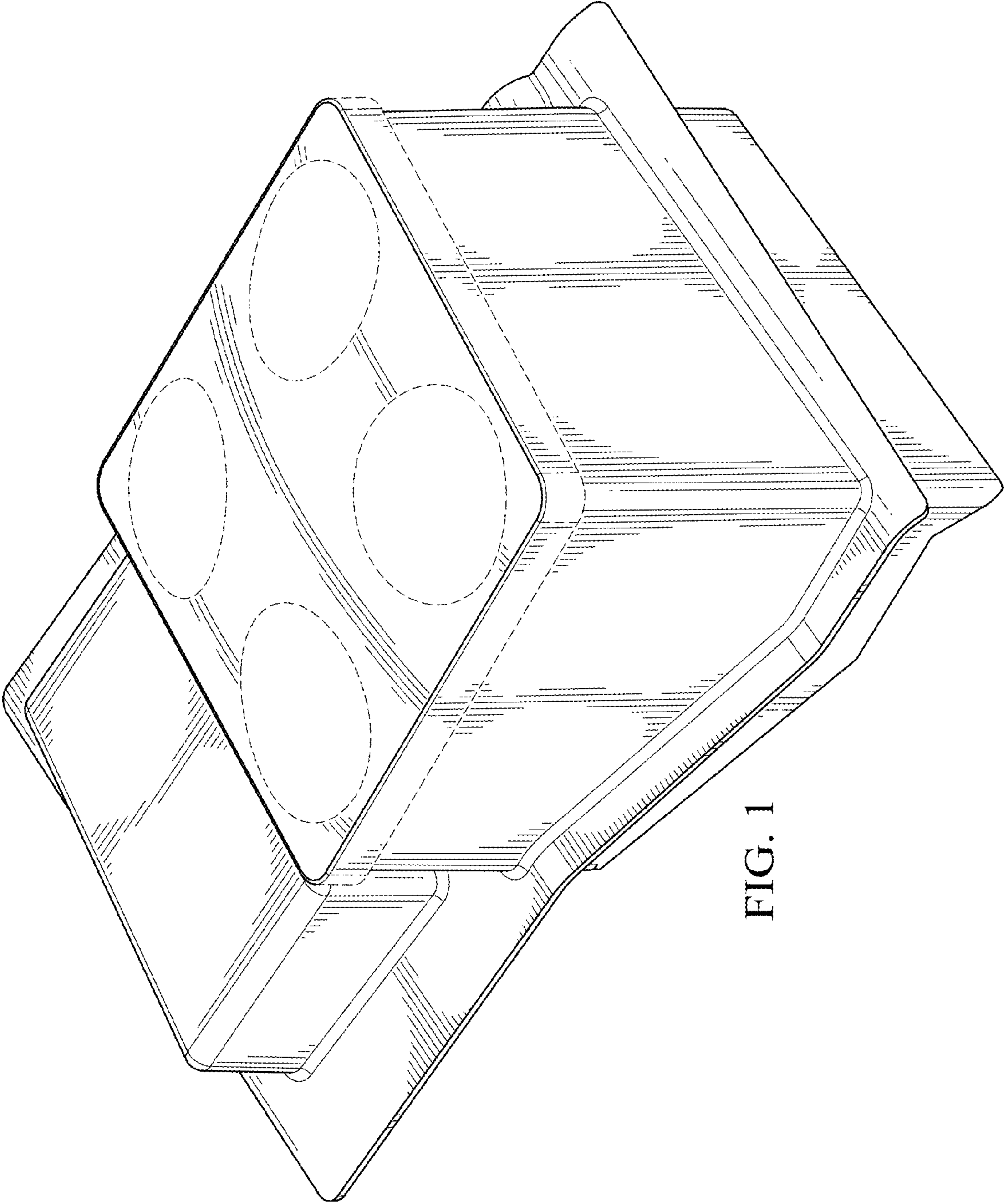


FIG. 1

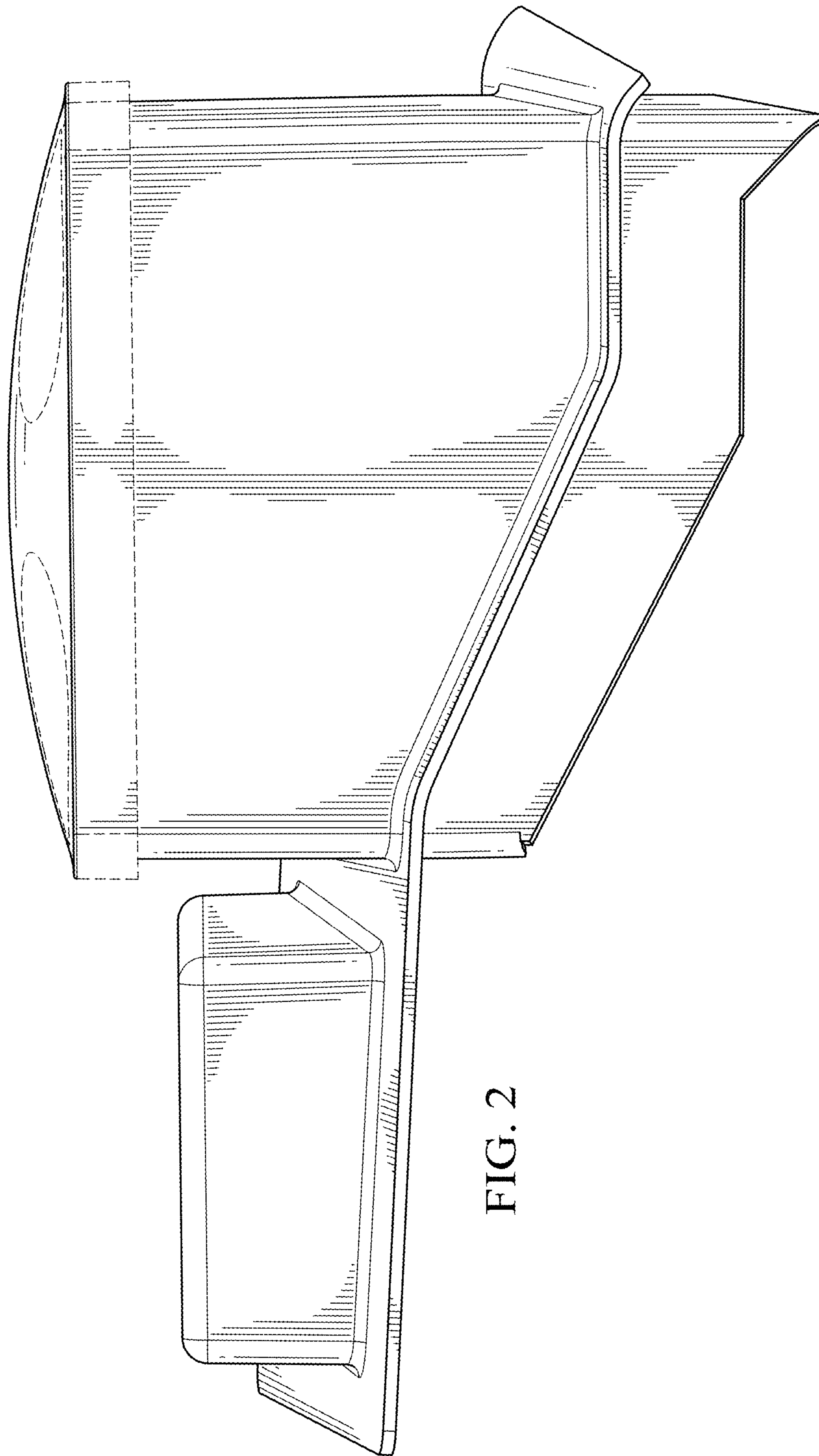


FIG. 2



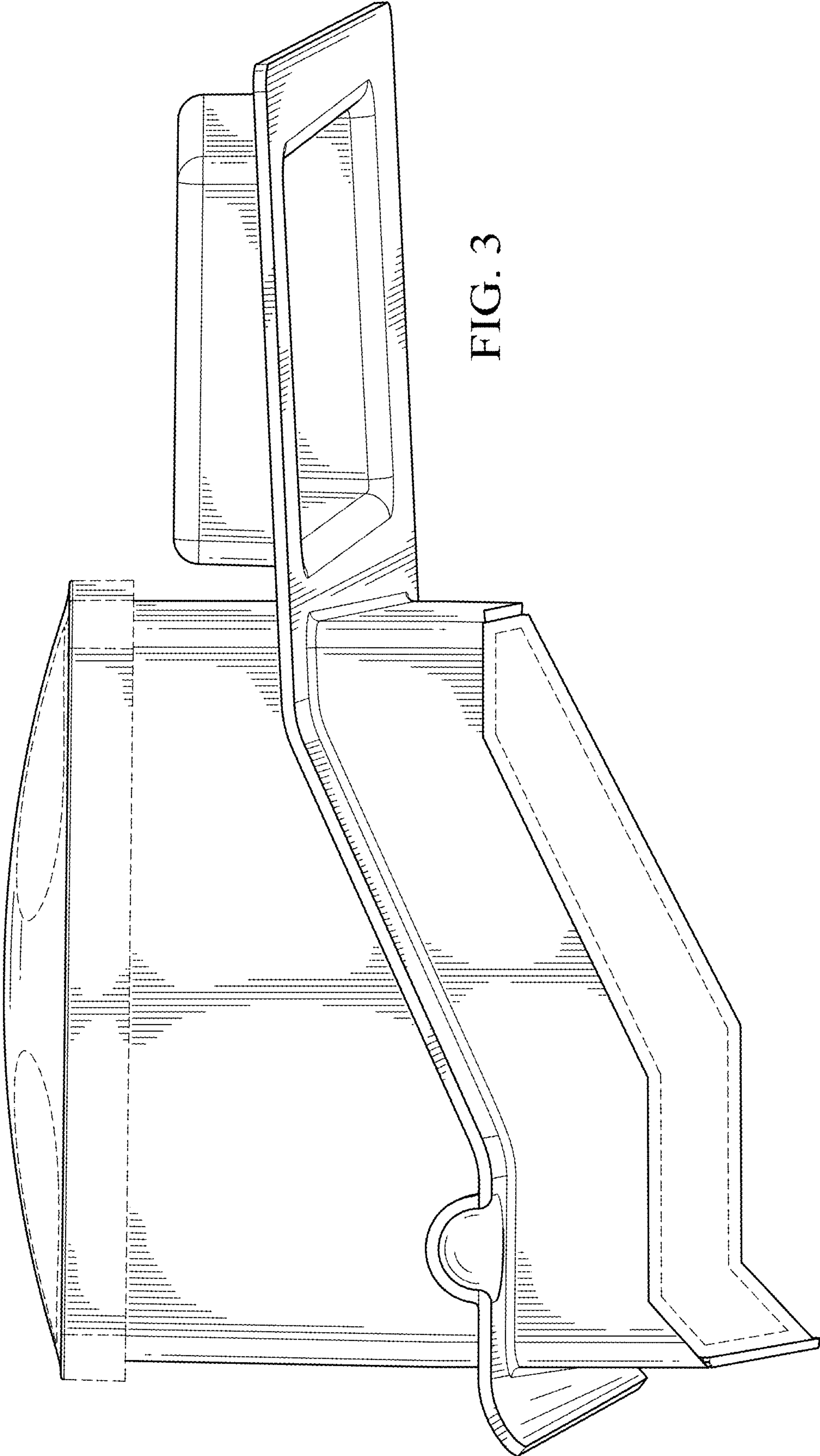


FIG. 3

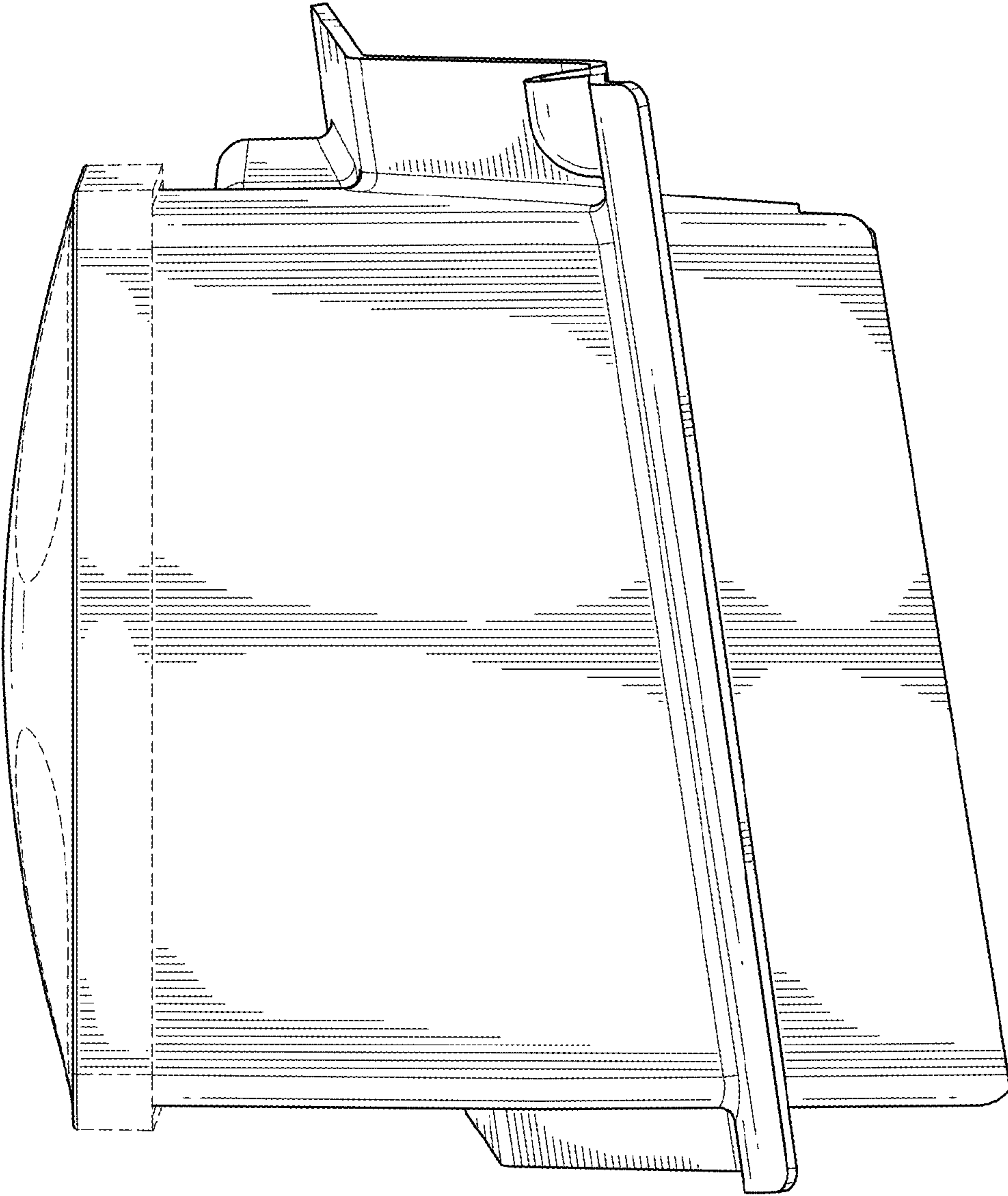


FIG. 4

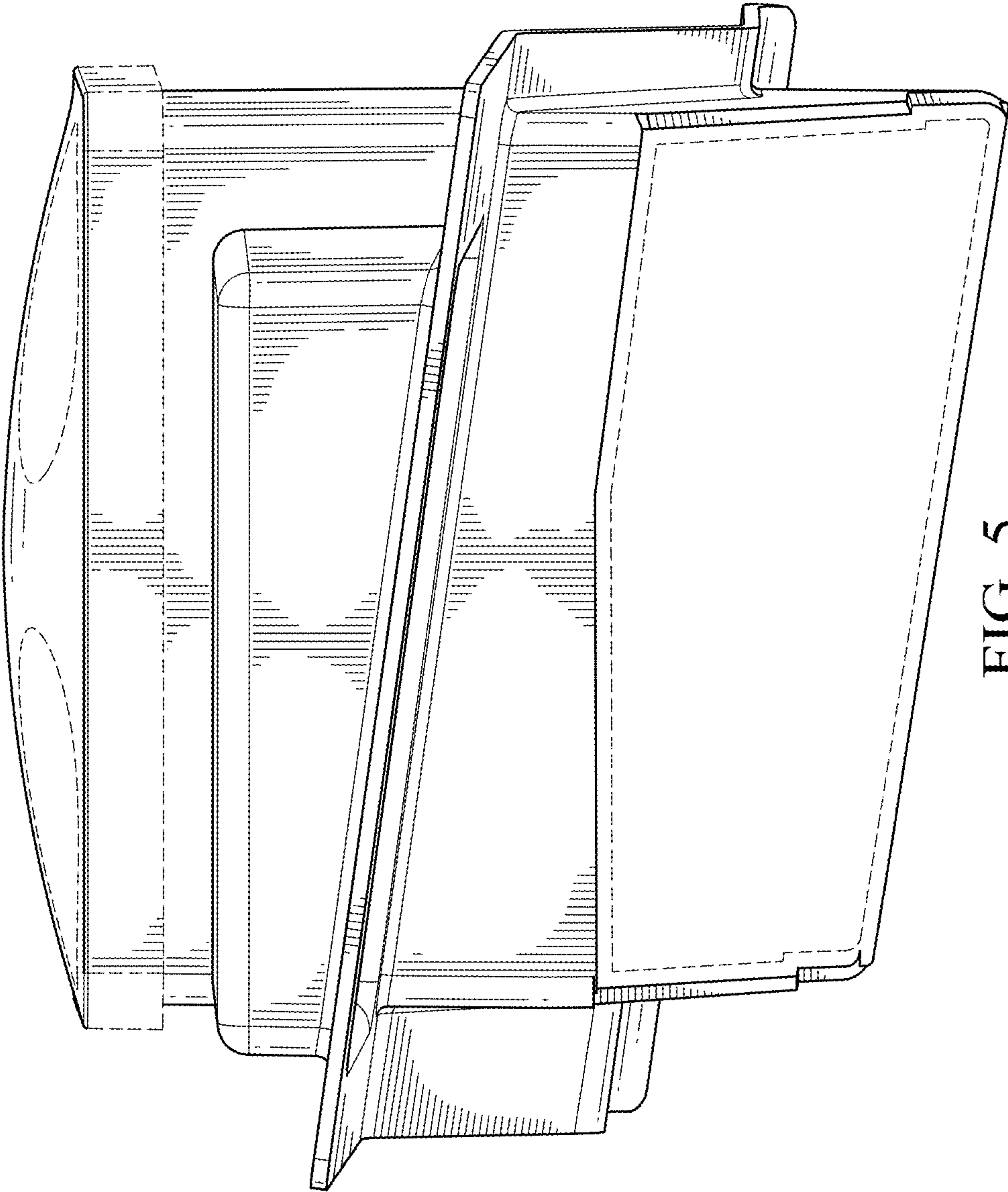


FIG. 5

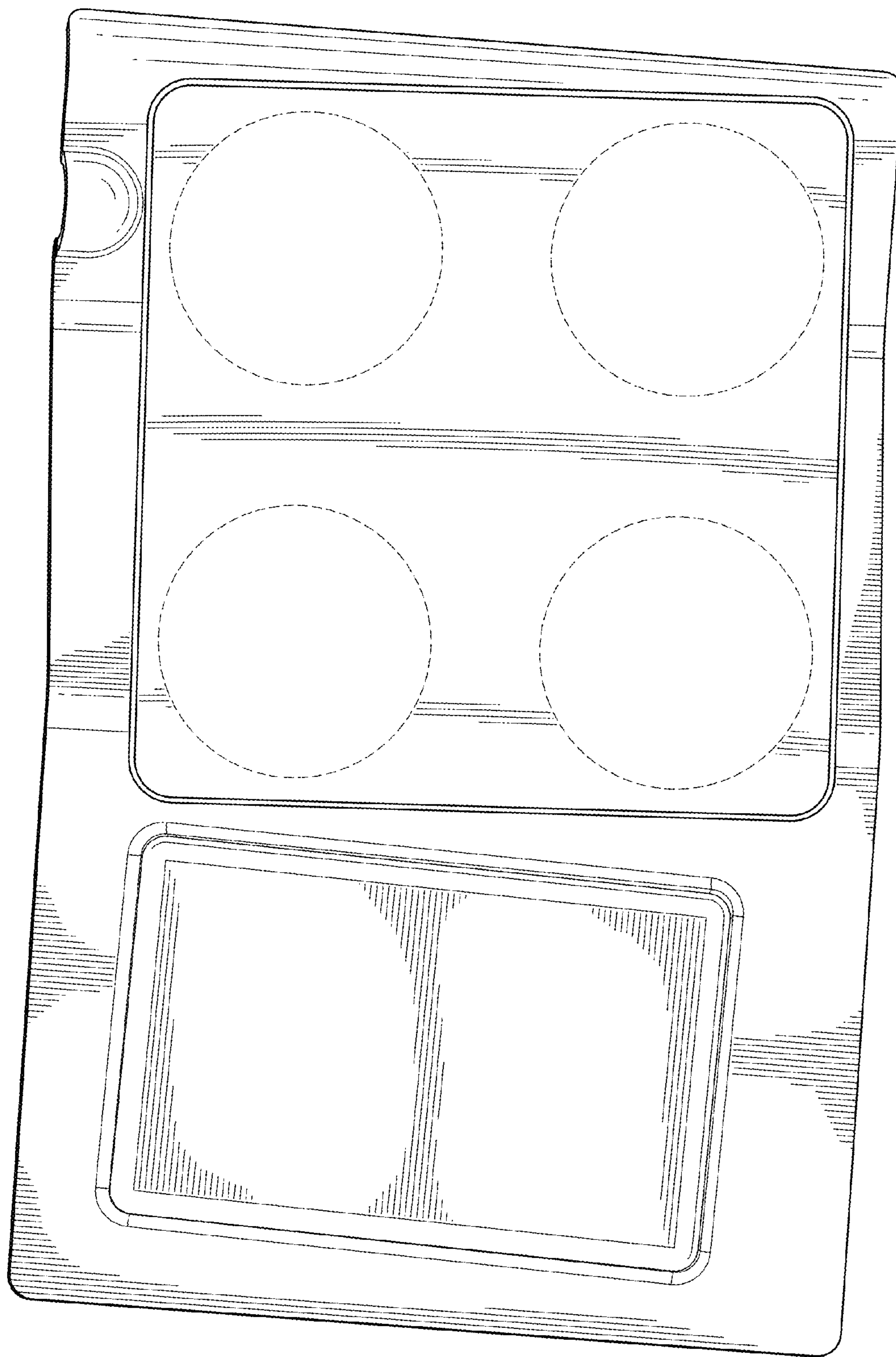


FIG. 6

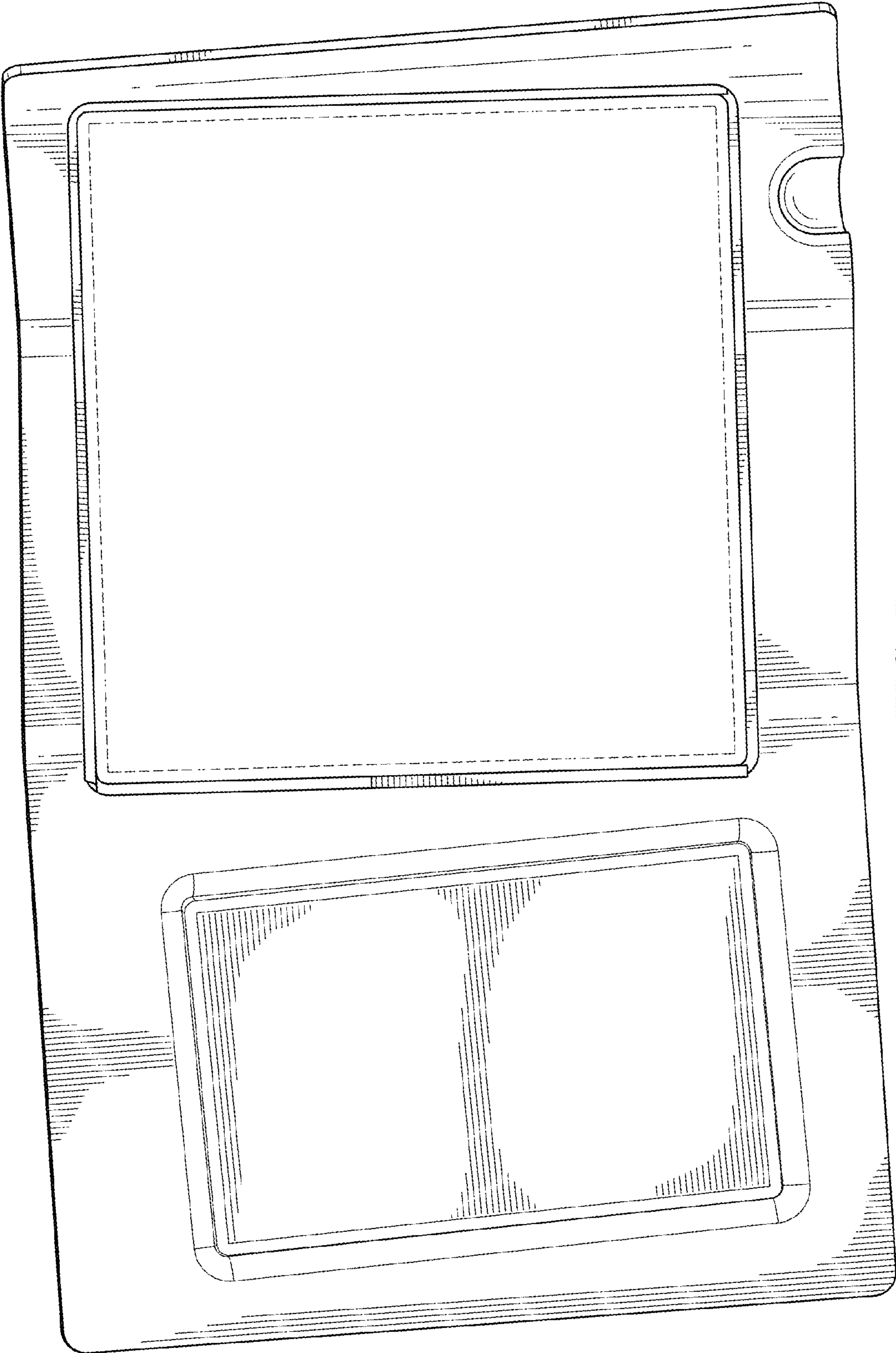


FIG. 7



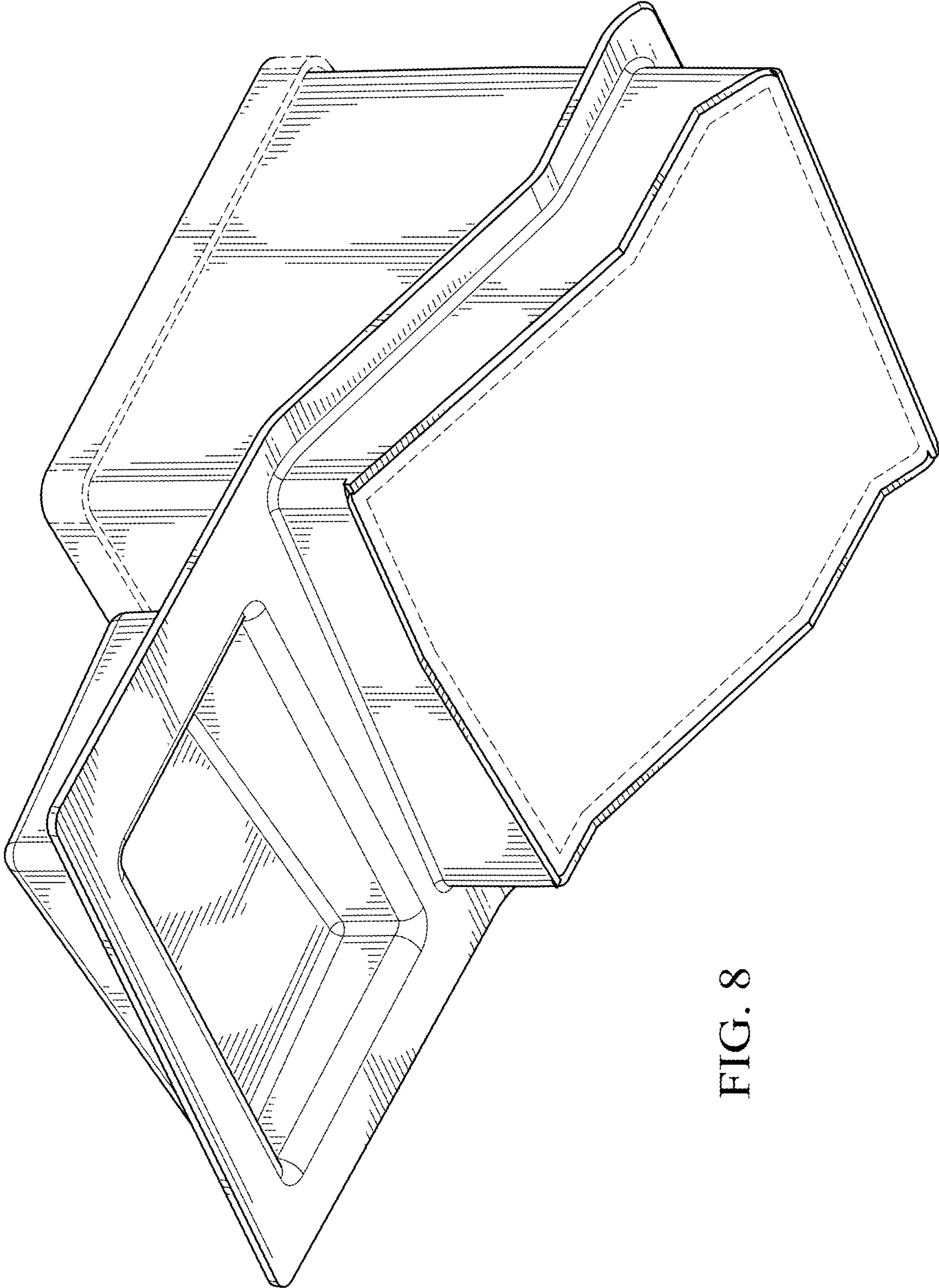


FIG. 8