



US00D744629S

(12) **United States Design Patent**
Wang

(10) **Patent No.:** **US D744,629 S**

(45) **Date of Patent:** **** Dec. 1, 2015**

(54) **COMBINED CEILING FAN AND LIGHT KIT**

(71) Applicant: **AIR COOL INDUSTRIAL CO., LTD.,**
Taichung (TW)

(72) Inventor: **Cilff Wang,** Taichung (TW)

(73) Assignee: **AIR COOL INDUSTRIAL CO., LTD.,**
Taichung (TW)

(**) Term: **14 Years**

(21) Appl. No.: **29/498,262**

(22) Filed: **Aug. 1, 2014**

(51) **LOC (10) Cl.** **23-04**

(52) **U.S. Cl.**
USPC **D23/377; D26/59**

(58) **Field of Classification Search**
USPC D23/377, 370–376, 378–394, 411–414,
D23/499; 416/5, 170 R, 214 R, 184, 206,
416/207, 210 R, 220 R, 244 R, 248, 223 R,
416/234, 242; 417/423.1; 392/364; D26/51,
D26/59, 72, 79, 92, 124
CPC ... F04D 25/088; F04D 29/322; F04D 29/324;
F04D 29/388; F04D 29/601
See application file for complete search history.

(56) **References Cited**

U.S. PATENT DOCUMENTS

D346,858 S	*	5/1994	Lee	D23/377
D355,027 S	*	1/1995	Young	D23/377
D384,737 S	*	10/1997	Gee, II	D23/377
D448,840 S	*	10/2001	Gajewski	D23/377
D466,206 S	*	11/2002	Gajewski	D23/377

D492,762 S	*	7/2004	Young	D23/377
D553,731 S	*	10/2007	Bucher	D23/411
D566,258 S	*	4/2008	Bucher	D23/377
D576,265 S	*	9/2008	Bucher	D23/377
D590,489 S	*	4/2009	Bucher	D23/377
D599,461 S	*	9/2009	Ertze	D23/377
D607,096 S	*	12/2009	Searle	D23/377
D631,955 S	*	2/2011	Villella	D23/411
D663,829 S	*	7/2012	Allen	D23/377
D719,252 S	*	12/2014	Allen	D23/385
2009/0129974 A1	*	5/2009	McEllen	A61L 9/205 422/24

* cited by examiner

Primary Examiner — Susan Bennett Hattan

Assistant Examiner — Marie Fast Horse

(74) *Attorney, Agent, or Firm* — Ming Chow; Sinorica, LLC

(57) **CLAIM**

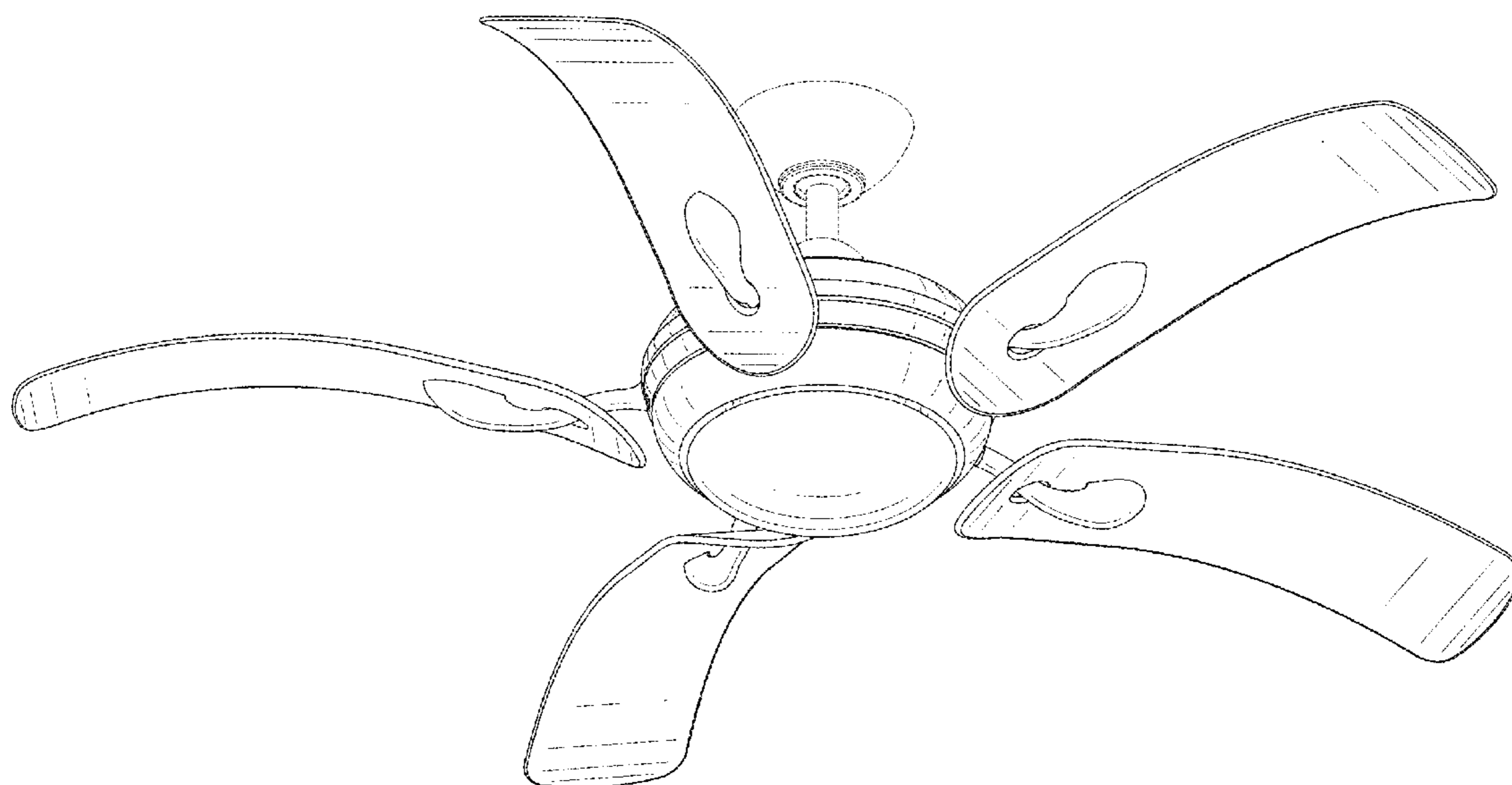
I claim the ornamental design for a combined ceiling fan and light kit, as shown and described.

DESCRIPTION

FIG. 1 is a front perspective view of a combined ceiling fan and light kit showing my new design;
FIG. 2 is a front elevational view thereof;
FIG. 3 is a rear elevational view thereof;
FIG. 4 is a left side elevational view thereof;
FIG. 5 is a right side elevational view thereof;
FIG. 6 is a top plan view thereof;
FIG. 7 is a bottom plan view thereof; and,
FIG. 8 is another front perspective view.

The broken lines in the drawings depict parts of the combined ceiling fan and light kit that form no part of the claimed design.

1 Claim, 6 Drawing Sheets



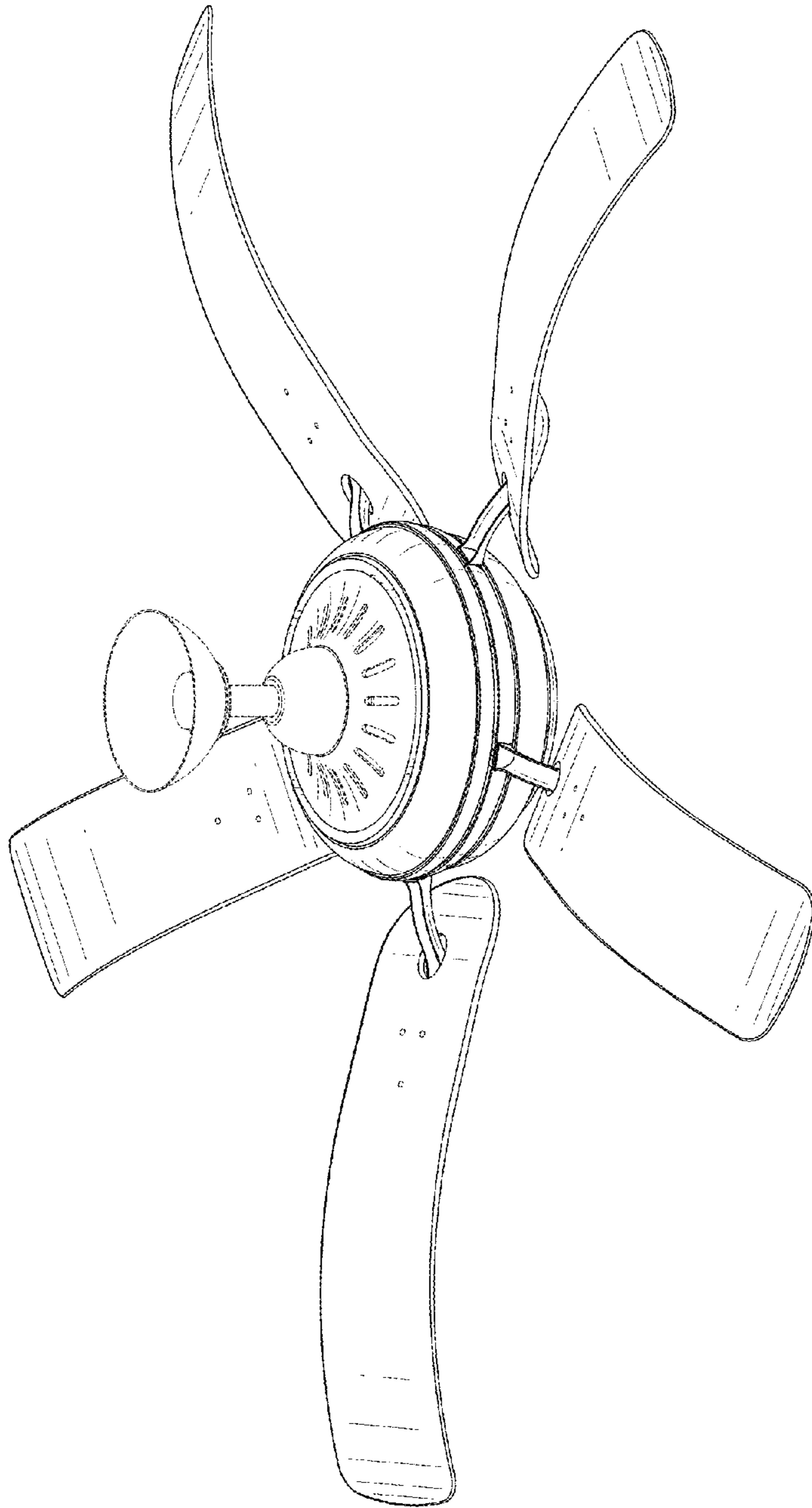


FIG. 1

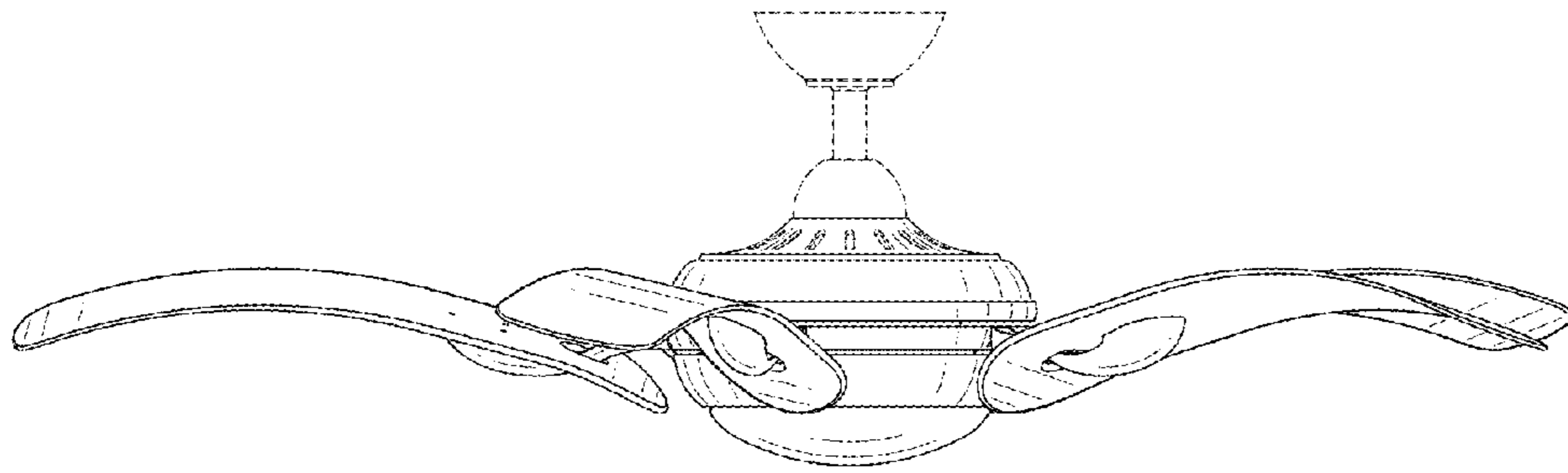


FIG. 2

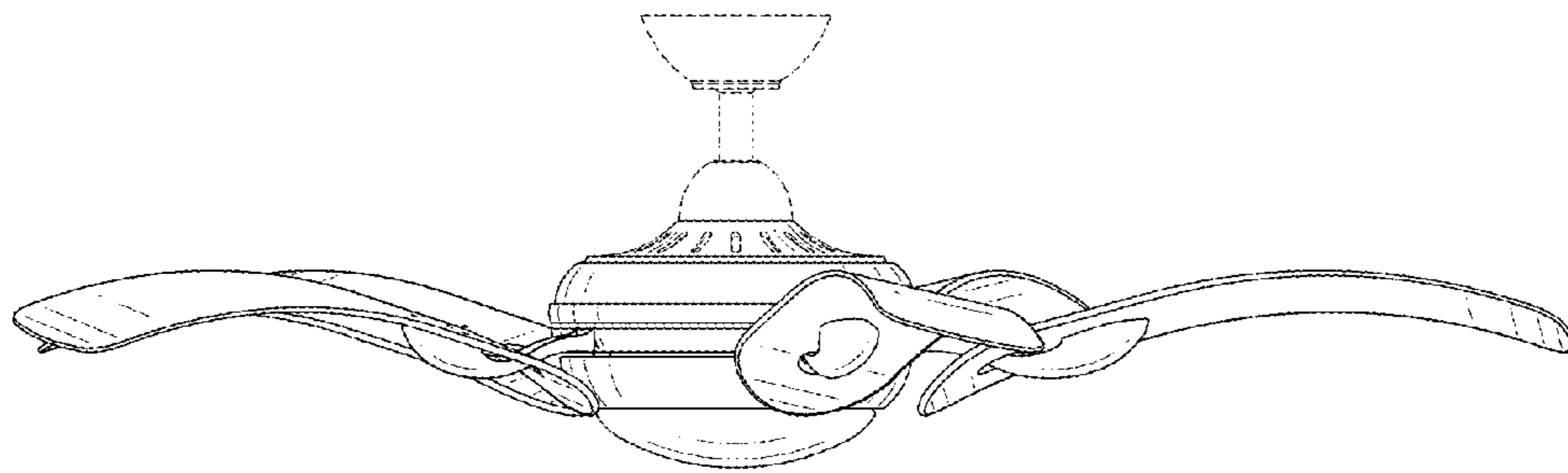


FIG. 3

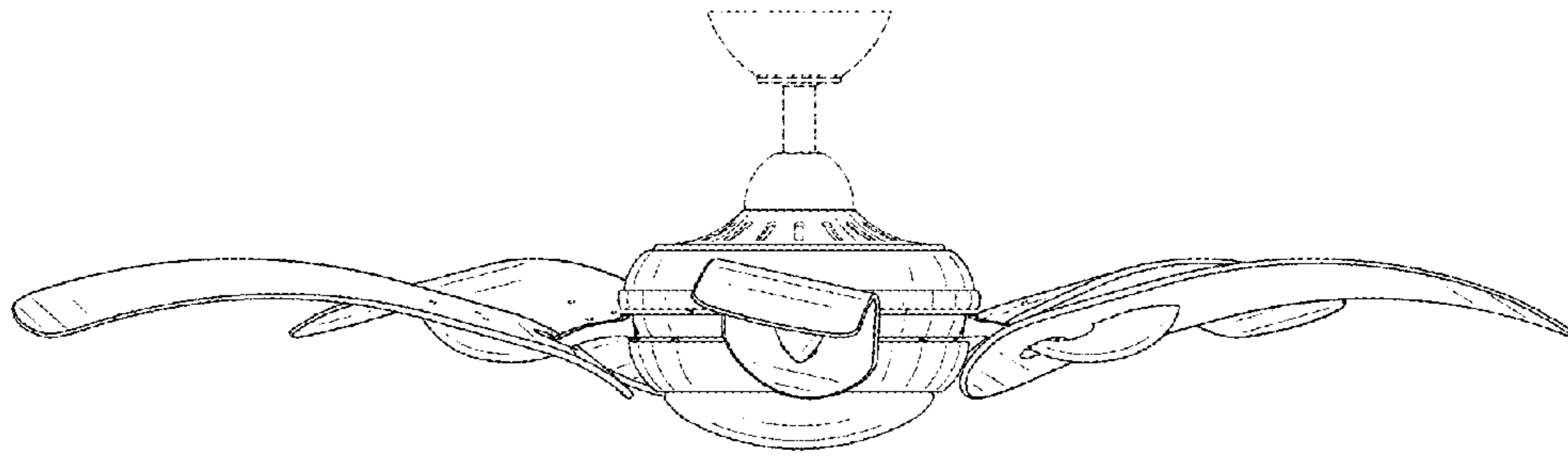


FIG. 4

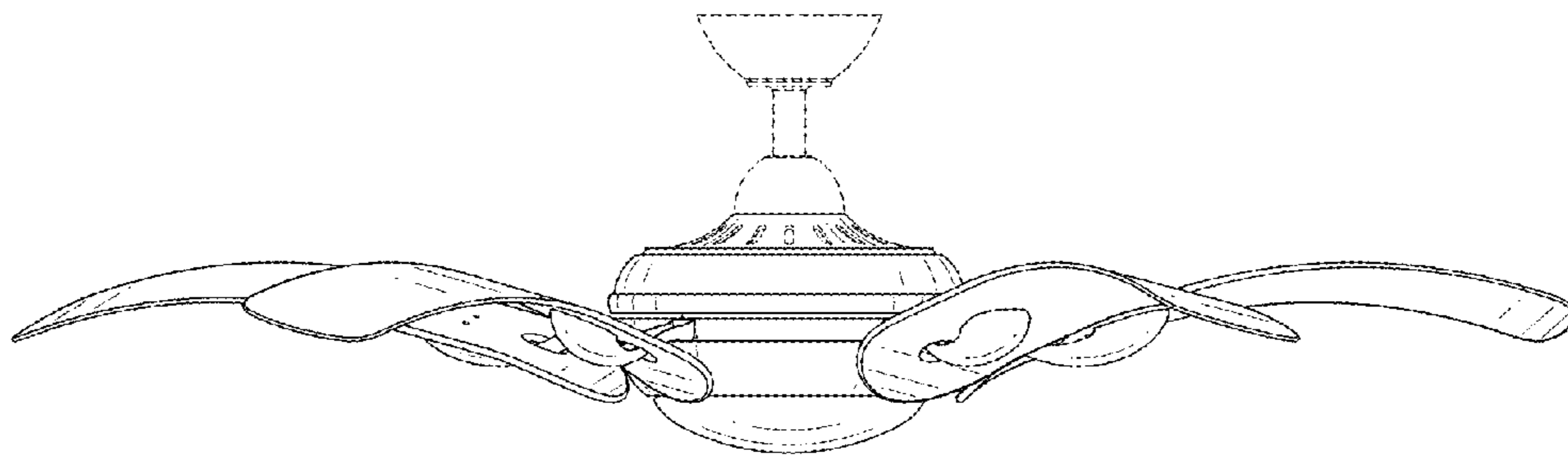


FIG. 5

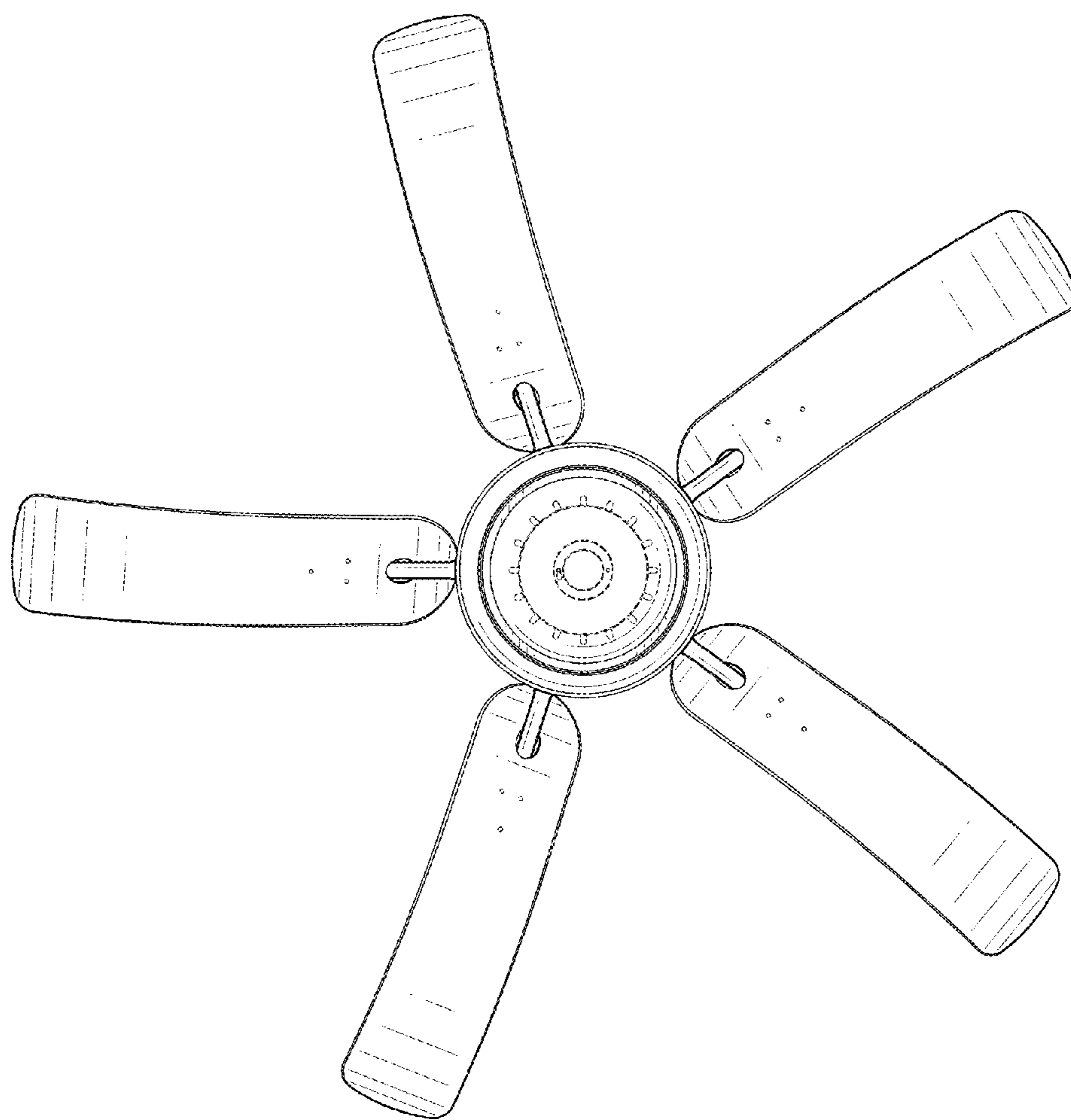


FIG. 6

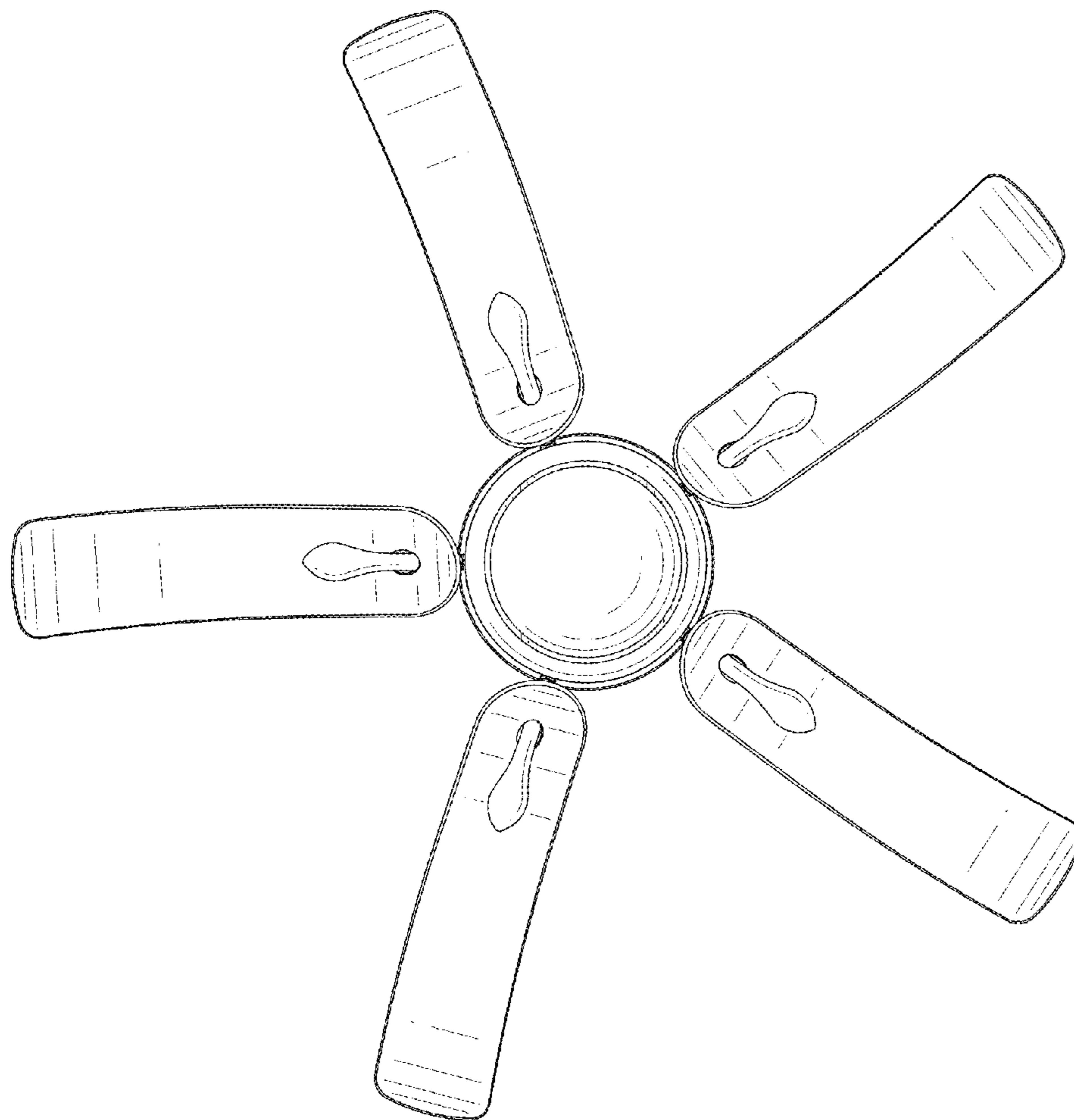


FIG. 7

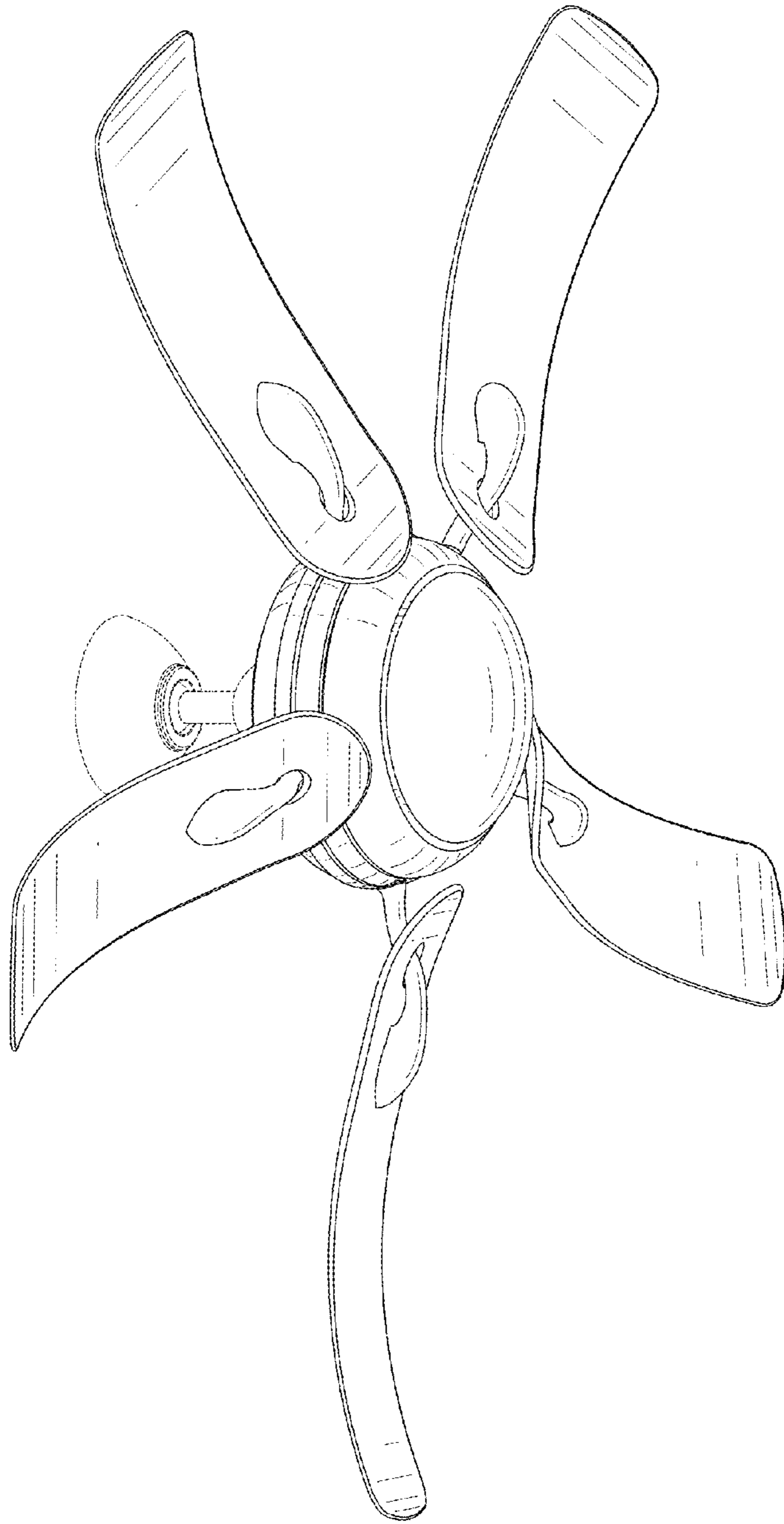


FIG. 8