



US00D744626S

(12) **United States Design Patent**  
**Leatzow et al.**

(10) **Patent No.:** **US D744,626 S**  
(45) **Date of Patent:** **\*\* Dec. 1, 2015**

(54) **FILTER FOR AN AIR FILTRATION DEVICE**

(56) **References Cited**

(71) Applicant: **Illinois Tool Works, Inc.**, Glenview, IL  
(US)

(72) Inventors: **Derek J. Leatzow**, Chicago, IL (US);  
**Keith A. Grider**, Chicago, IL (US);  
**Daniel J. Greene**, Chicago, IL (US);  
**Antonio J. Belton**, Richton Park, IL  
(US)

(73) Assignee: **Illinois Tool Works, Inc.**, Glenview, IL  
(US)

(\*\*) Term: **15 Years**

(21) Appl. No.: **29/532,875**

(22) Filed: **Jul. 10, 2015**

**Related U.S. Application Data**

(62) Division of application No. 29/449,728, filed on Mar.  
15, 2013.

(51) **LOC (10) Cl.** ..... **23-04**

(52) **U.S. Cl.**  
USPC ..... **D23/365**

(58) **Field of Classification Search**  
USPC ..... D23/365, 209, 363, 358, 386, 354, 341,  
D23/364, 314, 323, 330, 499; 55/385.3,  
55/502, 497, 506, 505, 521, 495, 422, 493,  
55/DIG. 30; 210/435, 130, 136, 248, 339,  
210/448, 452, 497.1; D15/5  
CPC ..... B01D 46/0004; B01D 46/0041; B01D  
46/30; B01D 46/0086; B01D 46/0024; B01D  
46/44; B01D 46/444; B01D 46/46; B01D  
46/446

See application file for complete search history.

U.S. PATENT DOCUMENTS

3,780,260 A 12/1973 Elsner  
4,560,477 A \* 12/1985 Moldow ..... 210/457  
4,629,482 A 12/1986 Davis  
4,658,707 A 4/1987 Hawkins et al.  
4,772,297 A 9/1988 Anzai

(Continued)

FOREIGN PATENT DOCUMENTS

CN 101010142 A 8/2007  
WO WO 2006012520 A2 2/2006

OTHER PUBLICATIONS

Features of DefendAir HEPA 500, Dri-Eaz, available at [http://www.drieaz.com/\\_DEC/DEC\\_Product\\_Base.aspx?decID=1041&AspxAutoDetectCookieSupport=1](http://www.drieaz.com/_DEC/DEC_Product_Base.aspx?decID=1041&AspxAutoDetectCookieSupport=1) (Feature tab), printed Jul. 27, 2013 (1 page).

(Continued)

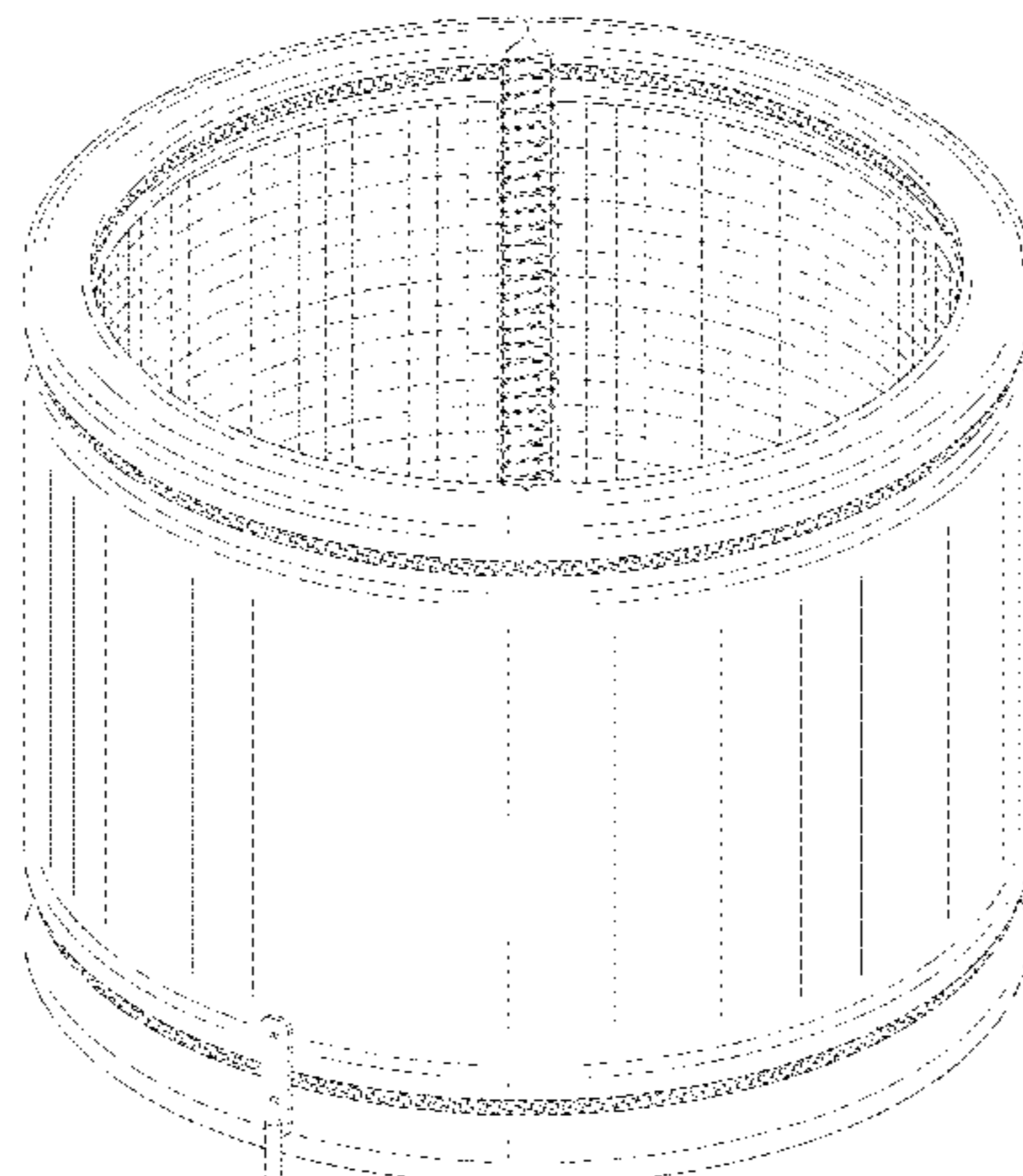
*Primary Examiner* — David Muller  
*Assistant Examiner* — Nathan Johnston  
(74) *Attorney, Agent, or Firm* — Neal, Gerber & Eisenberg  
LLP

(57) **CLAIM**  
The ornamental design for a filter for an air filtration device,  
as shown and described.

**DESCRIPTION**

FIG. 1 is a top front perspective view of a filter of our new design.  
FIG. 2 is a top plan view thereof.  
FIG. 3 is a bottom plan thereof.  
FIG. 4 is a front elevation thereof.  
FIG. 5 is a rear elevation view thereof.  
FIG. 6 is a left side elevation view thereof; and,  
FIG. 7 is a right side elevation view thereof.  
The portion of the filter shown in phantom is not part of the design sought to be patented and is provided for environmental purposes only.

**1 Claim, 7 Drawing Sheets**





(56)

References Cited

U.S. PATENT DOCUMENTS

4,786,295 A 11/1988 Newman et al.  
 4,859,220 A 8/1989 Leber et al.  
 4,960,143 A 10/1990 Dore et al.  
 D320,071 S 9/1991 Cook  
 5,069,691 A 12/1991 Travis et al.  
 5,120,331 A \* 6/1992 Landy ..... 95/90  
 5,163,818 A 11/1992 Betsill et al.  
 5,230,723 A 7/1993 Travis et al.  
 5,433,763 A 7/1995 Shagott et al.  
 5,436,216 A 7/1995 Toyao et al.  
 D365,388 S 12/1995 Williams  
 D365,389 S 12/1995 Williams  
 5,588,985 A 12/1996 Shagott et al.  
 5,593,470 A 1/1997 Shagott et al.  
 D383,202 S 9/1997 Meister et al.  
 D386,576 S 11/1997 Wang et al.  
 D390,910 S \* 2/1998 Sundquist ..... D23/209  
 5,753,000 A 5/1998 Chiu et al.  
 5,813,089 A 9/1998 Nolan et al.  
 D401,306 S 11/1998 Ward et al.  
 5,840,094 A 11/1998 Osendorf et al.  
 D403,414 S \* 12/1998 Shelton et al. .... D23/365  
 D404,807 S \* 1/1999 Nepsund et al. .... D23/365  
 5,858,044 A \* 1/1999 Nepsund et al. .... 55/486  
 5,862,737 A 1/1999 Chiu et al.  
 D407,808 S \* 4/1999 Nepsund et al. .... D23/365  
 D410,074 S 5/1999 Lee  
 D416,317 S 11/1999 Bellil et al.  
 D416,613 S 11/1999 Bellil et al.  
 D416,614 S 11/1999 Bellil et al.  
 D417,911 S 12/1999 Jane et al.  
 6,013,121 A 1/2000 Chiu et al.  
 D422,070 S 3/2000 Bellil et al.  
 6,036,757 A 3/2000 Gatchell et al.  
 D423,659 S 4/2000 Schippanoski  
 6,065,424 A 5/2000 Shacham et al.  
 6,066,194 A 5/2000 Huggins et al.  
 6,091,888 A 7/2000 Jane et al.  
 6,099,608 A \* 8/2000 Harms et al. .... 55/400  
 D434,841 S 12/2000 Lozzio et al.  
 6,156,085 A 12/2000 Chiu et al.  
 D437,635 S 2/2001 Lozzio et al.  
 D438,214 S 2/2001 Gieseke et al.  
 D438,944 S 3/2001 Terpko et al.  
 6,209,347 B1 4/2001 Corrigan et al.  
 6,283,458 B1 9/2001 Cox et al.  
 D450,377 S 11/2001 Terpko et al.  
 6,345,516 B1 2/2002 Kesler et al.  
 6,348,086 B1 \* 2/2002 Harms et al. .... 96/125  
 6,361,590 B1 3/2002 Gilbert, Jr. et al.  
 6,494,940 B1 12/2002 Hak  
 D470,216 S \* 2/2003 Gustafson et al. .... D23/209  
 6,517,475 B1 2/2003 Brown et al.  
 D480,127 S 9/2003 Cox et al.  
 6,640,792 B2 11/2003 Harvey et al.  
 D491,654 S 6/2004 Gatchell et al.  
 D499,177 S 11/2004 Kosmider et al.  
 6,899,745 B2 5/2005 Gatchell et al.  
 D509,292 S 9/2005 Gatchell et al.  
 6,938,886 B2 9/2005 Glucksman  
 D513,797 S 1/2006 Wang  
 D515,190 S 2/2006 Bartholmey et al.  
 7,014,686 B2 3/2006 Gatchell et al.  
 7,168,427 B2 1/2007 Bachinski et al.  
 7,258,715 B2 8/2007 Cox et al.  
 D572,356 S 7/2008 Harber  
 7,594,944 B2 9/2009 Oh  
 7,808,246 B2 10/2010 Sobue et al.  
 7,815,705 B2 10/2010 Ehrenberg  
 7,874,431 B2 1/2011 Eisengraeber-Pabst et al.  
 8,016,922 B2 9/2011 Ehrenberg  
 D647,188 S 10/2011 Bergami  
 8,042,694 B2 10/2011 Driml et al.  
 D652,497 S \* 1/2012 Troxell et al. .... D23/365  
 D655,379 S 3/2012 Doyle et al.

D671,633 S \* 11/2012 Glasbrenner ..... D23/411  
 8,323,370 B2 12/2012 Troxell et al.  
 8,486,170 B2 7/2013 Conrad et al.  
 D694,871 S 12/2013 Maholick et al.  
 D707,338 S 6/2014 Ediger et al.  
 D713,023 S 9/2014 Chen et al.  
 D715,911 S 10/2014 Lin  
 2004/0035094 A1 2/2004 Jersey  
 2004/0065202 A1 4/2004 Gatchell et al.  
 2004/0187455 A1 \* 9/2004 Niakan et al. .... 55/486  
 2007/0221061 A1 9/2007 Steiner et al.  
 2014/0260144 A1 9/2014 Williams et al.  
 2014/0260996 A1 9/2014 Grider et al.

OTHER PUBLICATIONS

Dri-Eaz, Owner's Manual DefendAir HEPA 500 Air Scrubber 115v Model, available at [http://www.drieaz.com/\\_DEC/Uploads/Document/Manuals/DefendAir%20HEPA%20500%20Owner's%20Manual.pdf](http://www.drieaz.com/_DEC/Uploads/Document/Manuals/DefendAir%20HEPA%20500%20Owner's%20Manual.pdf), Copyright 2004 (18 pages).  
 Guide to Air Scrubbing, Dri-Eaz, available at [http://www.drieaz.com/\\_DEC/Uploads/Document/Docs/Guide%20to%20Air%20Scrubbing.pdf](http://www.drieaz.com/_DEC/Uploads/Document/Docs/Guide%20to%20Air%20Scrubbing.pdf), printed Jul. 27, 2013 (16 pages).  
 Dri-Eaz Air Filtration HEPA 500 Flyer, available at [http://www.drieaz.com/\\_DEC/Uploads/Document/Manuals/DE\\_HEPA500\\_Filters\\_Restoration\\_Print.pdf](http://www.drieaz.com/_DEC/Uploads/Document/Manuals/DE_HEPA500_Filters_Restoration_Print.pdf), printed Jul. 27, 2013 (1 page).  
 Photograph of filters of Dri-Eaz DefendAir HEPA 500, available at [http://www.drieaz.com/\\_DEC/Uploads/Document/Manuals/F284\\_HEPA500\\_DOP\\_Carbon\\_Photo.jpg](http://www.drieaz.com/_DEC/Uploads/Document/Manuals/F284_HEPA500_DOP_Carbon_Photo.jpg), printed Jul. 27, 2013 (1 page).  
 First Stage Pre-Filter for DefendAir HEPA 500, Dri-Eaz, available at [http://www.drieaz.com/\\_DEC/DEC\\_Product\\_Base.aspx?decID=1097](http://www.drieaz.com/_DEC/DEC_Product_Base.aspx?decID=1097), printed Jul. 27, 2013 (1 page).  
 Second Stage Pre-Filter for DefendAir HEPA 500, Dri-Eaz, available at [http://www.drieaz.com/\\_DEC/DEC\\_Product\\_Base.aspx?decID=1098](http://www.drieaz.com/_DEC/DEC_Product_Base.aspx?decID=1098), printed Jul. 27, 2013 (1 page).  
 Activated Carbon Filter for DefendAir HEPA 500, Dri-Eaz, available at [http://www.drieaz.com/\\_DEC/DEC\\_Product\\_Base.aspx?decID=1109](http://www.drieaz.com/_DEC/DEC_Product_Base.aspx?decID=1109), printed Jul. 27, 2013 (1 page).  
 HEPA 500 Filters for DefendAir HEPA 500, Dri-Eaz, available at [http://www.drieaz.com/\\_DEC/DEC\\_Product\\_Base.aspx?decID=1096](http://www.drieaz.com/_DEC/DEC_Product_Base.aspx?decID=1096), printed Jul. 27, 2013 (1 page).  
 DOP Stage 2 HEPA 500 Pre-Filter for DefendAir HEPA 500, Dri-Eaz, available at [http://www.drieaz.com/\\_DEC/DEC\\_Product\\_Base.aspx?decID=1129](http://www.drieaz.com/_DEC/DEC_Product_Base.aspx?decID=1129), printed Jul. 27, 2013 (1 page).  
 Specs of DefendAir HEPA 500, Dri-Eaz, available at [http://www.drieaz.com/\\_DEC/DEC\\_Product\\_Base.aspx?decID=1041&AspxAutoDetectCookieSupport=1](http://www.drieaz.com/_DEC/DEC_Product_Base.aspx?decID=1041&AspxAutoDetectCookieSupport=1) (Specs tab), printed Jul. 27, 2013 (1 page).  
 Overview of PRED600HC Portable Air Scrubber, Abatement Technologies, available at <http://www.abatement.com/government-industry-schools/port-air-scrub-pred600hc.htm> (Overview tab), Copyright 2013 (2 pages).  
 "The Predator 600 Portable Air Scrubber, Big Time Performance in a Small Package"; Brochure, available at <http://www.abatement.com/pdf/pred600-brochure.pdf>, Copyright 2012 (2 pages).  
 "Warning! Are the Molded Plastic Scrubbers You Are Using Safe? or, Could They Expose You to Fire and Safety Risks?," White Paper by Abatement Technologies, available at <http://www.abatement.com/pdf/benefits-rotational-molded-plastic-cabinets.pdf>, printed Jul. 27, 2013 (3 pages).  
 Specs of PRED600HC Portable Air Scrubber, Abatement Technologies, available at <http://www.abatement.com/government-industry-schools/port-air-scrub-pred600hc.htm> (Specs tab), Copyright 2013 (2 pages).  
 Comparison of PRED600HC Portable Air Scrubber, Abatement Technologies, available at <http://www.abatement.com/government-industry-schools/port-air-scrub-pred600hc.htm> (Comparison tab), Copyright 2013 (3 pages).

(56)

**References Cited**

OTHER PUBLICATIONS

Photos of PRED600HC Portable Air Scrubber, Abatement Technologies, available at <http://www.abatement.com/government-industry-schools/port-air-scrub-pred600hc.htm> (Photos tab), Copyright 2013 (2 pages).

Filters and Accessories for PRED600HC Portable Air Scrubber, Abatement Technologies, available at <http://www.abatement.com/government-industry-schools/port-air-scrub-pred600hc.htm> (Filters & Accessories tab), Copyright 2013 (2 pages).

Related Products for PRED600HC Portable Air Scrubber, Abatement Technologies, available at <http://www.abatement.com/government-industry-schools/port-air-scrub-pred600hc.htm> (Related Products tab), Copyright 2013 (3 pages).

International Search Report and Written Opinion for International Application No. PCT/US2014/024800, mailed Oct. 13, 2014 (16 pages).

International Search Report and Written Opinion for International Application No. PCT/US2014/024837, mailed Oct. 13, 2014 (15 pages).

\* cited by examiner



FIG. 1

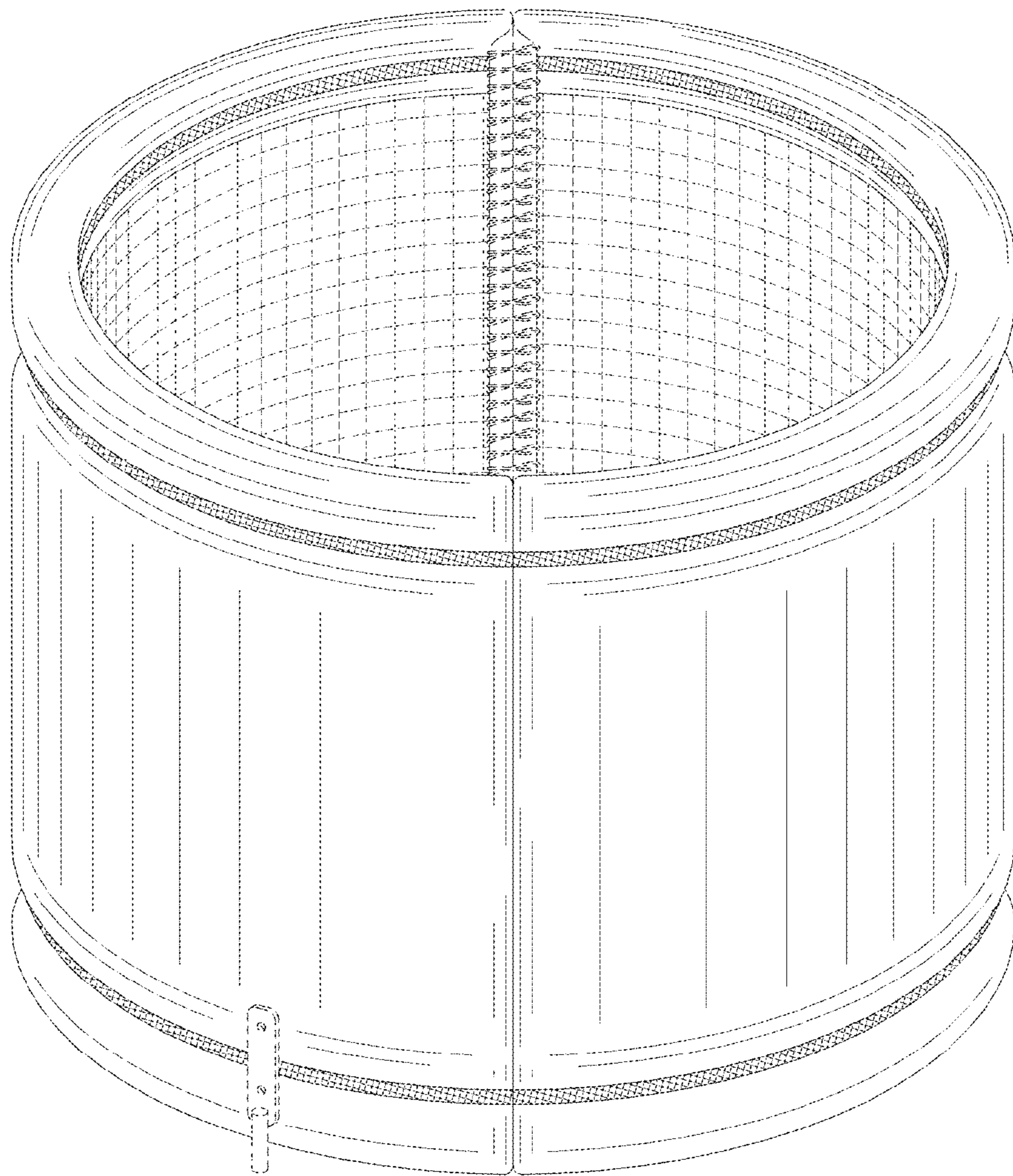


FIG. 2

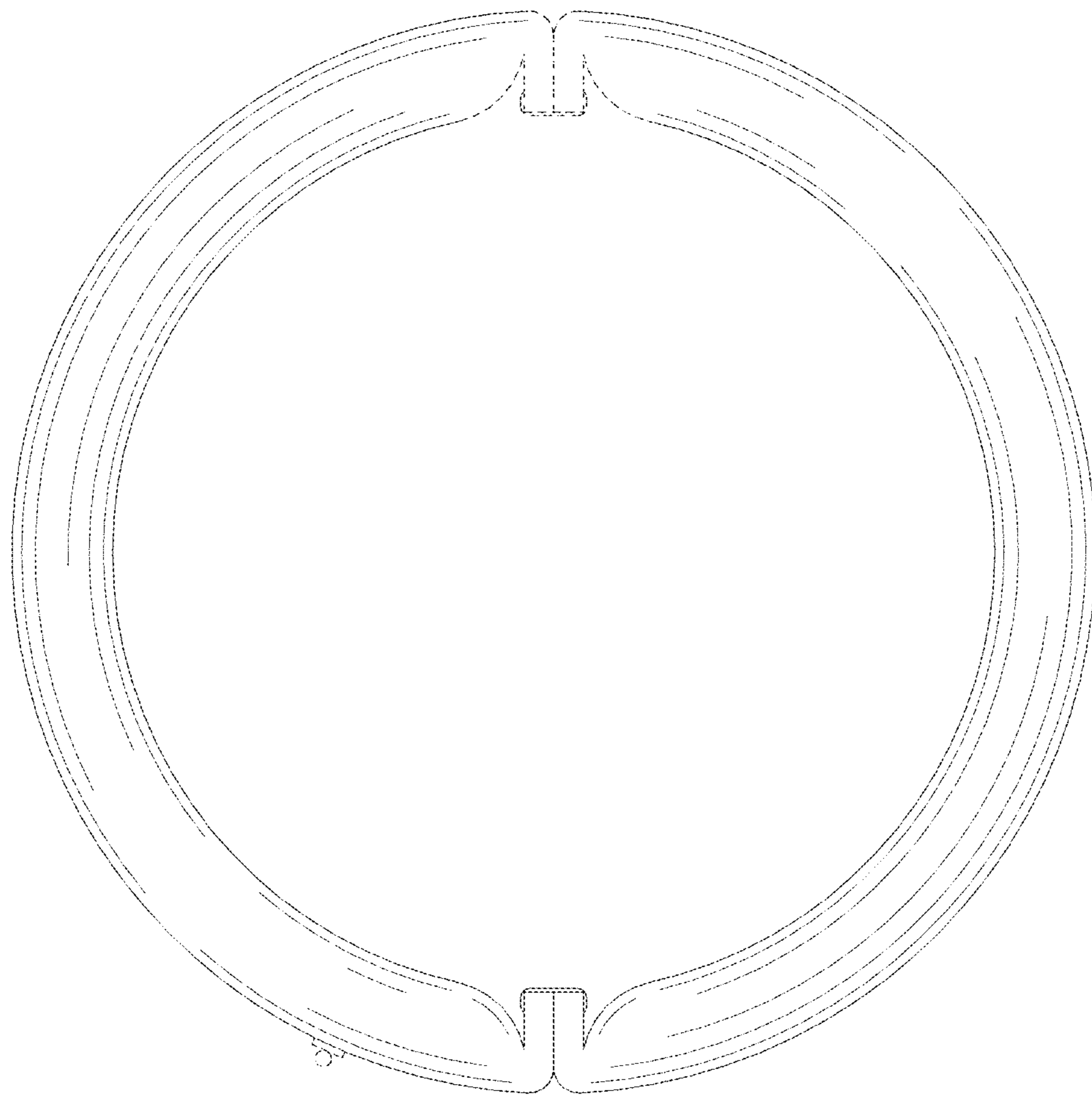


FIG. 3

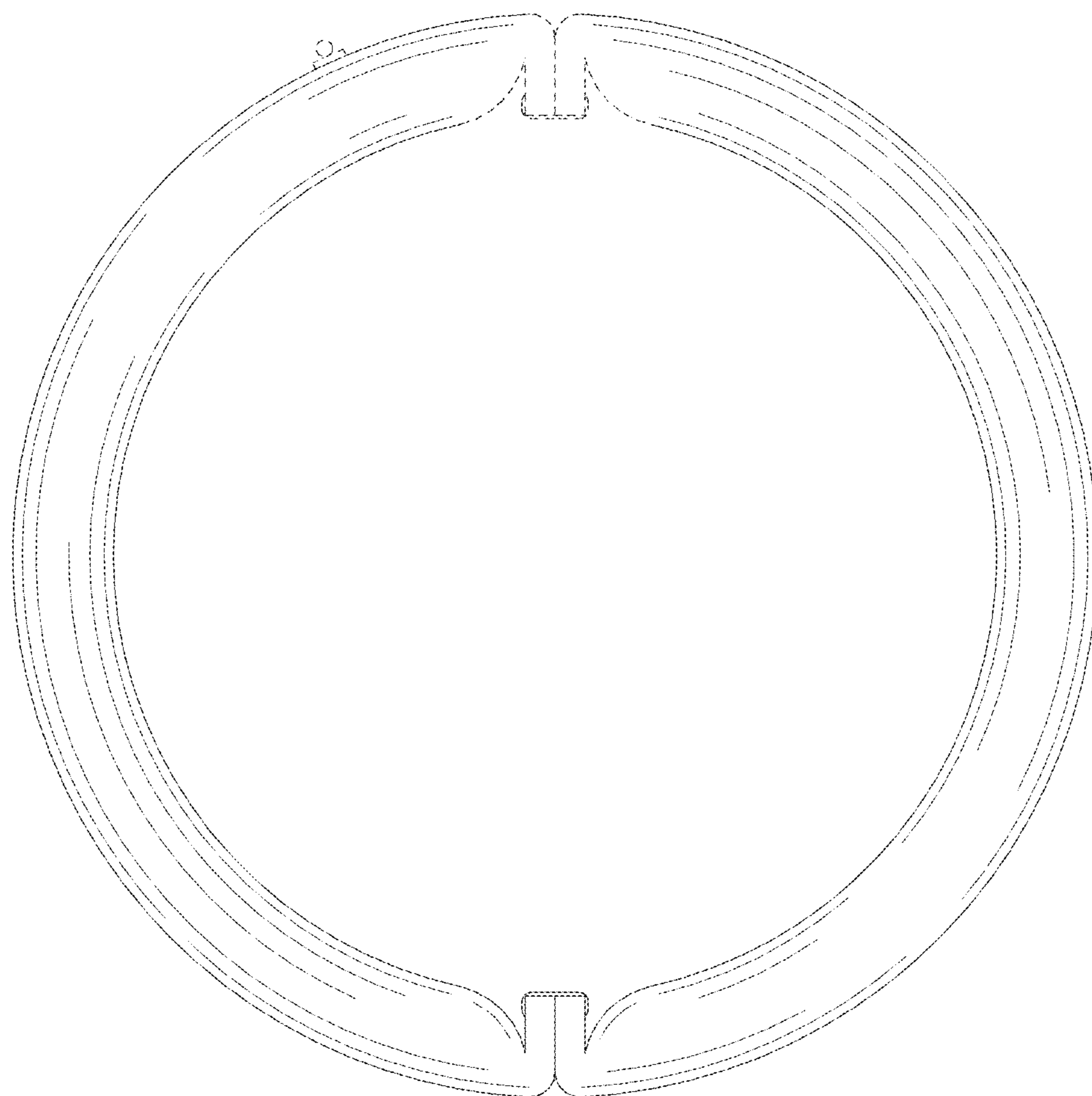


FIG. 4

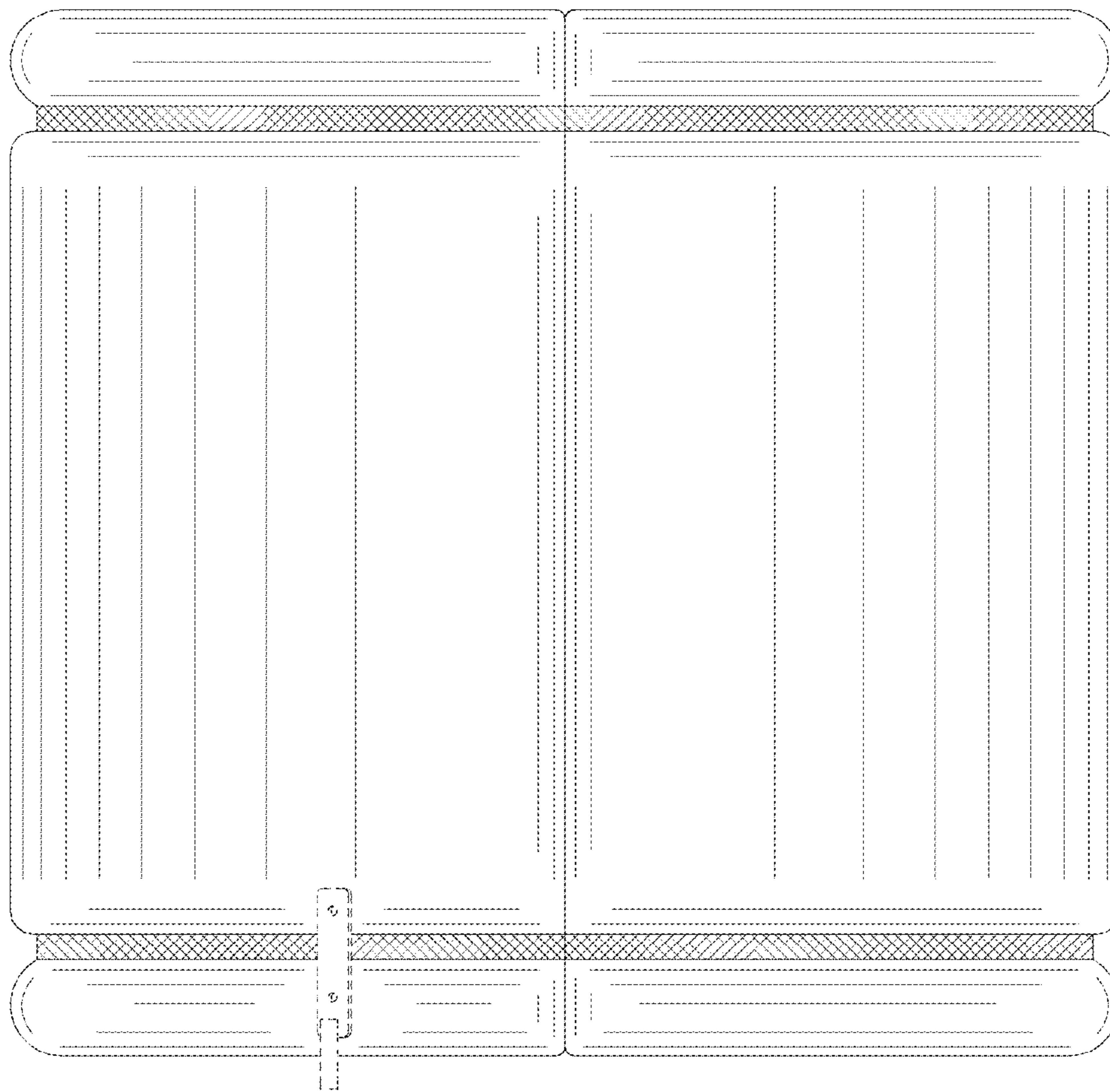


FIG. 5

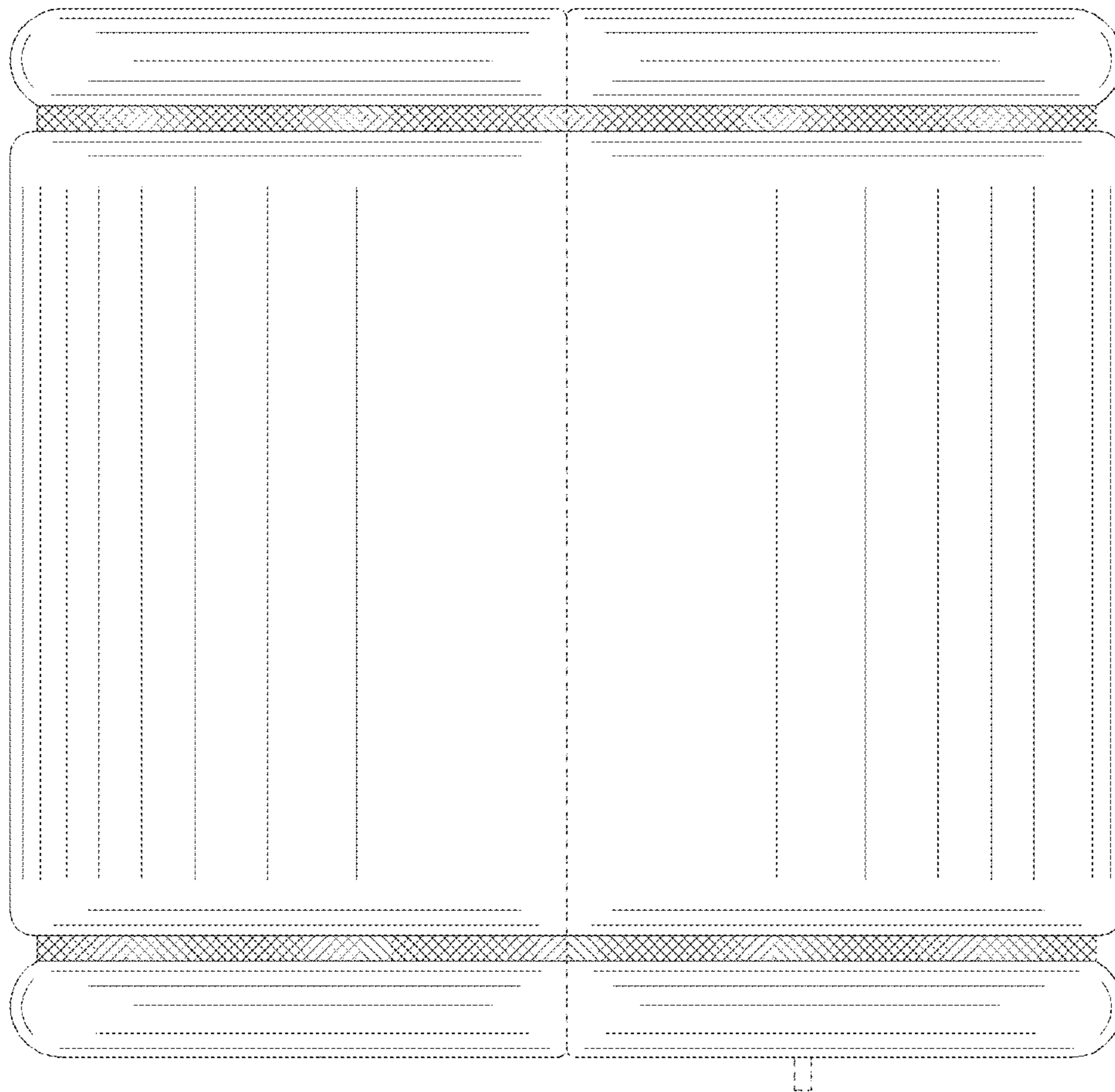




FIG. 6

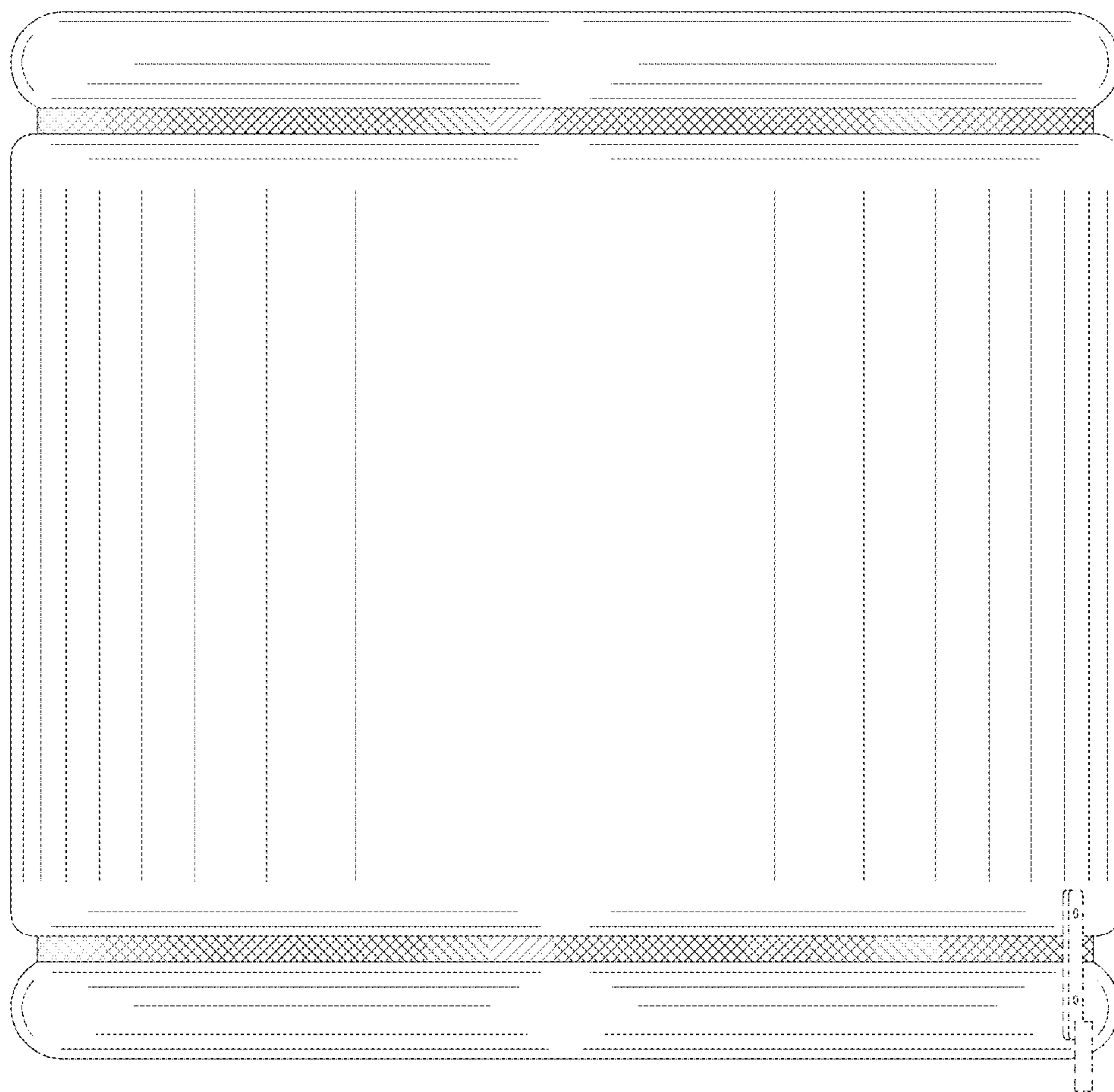
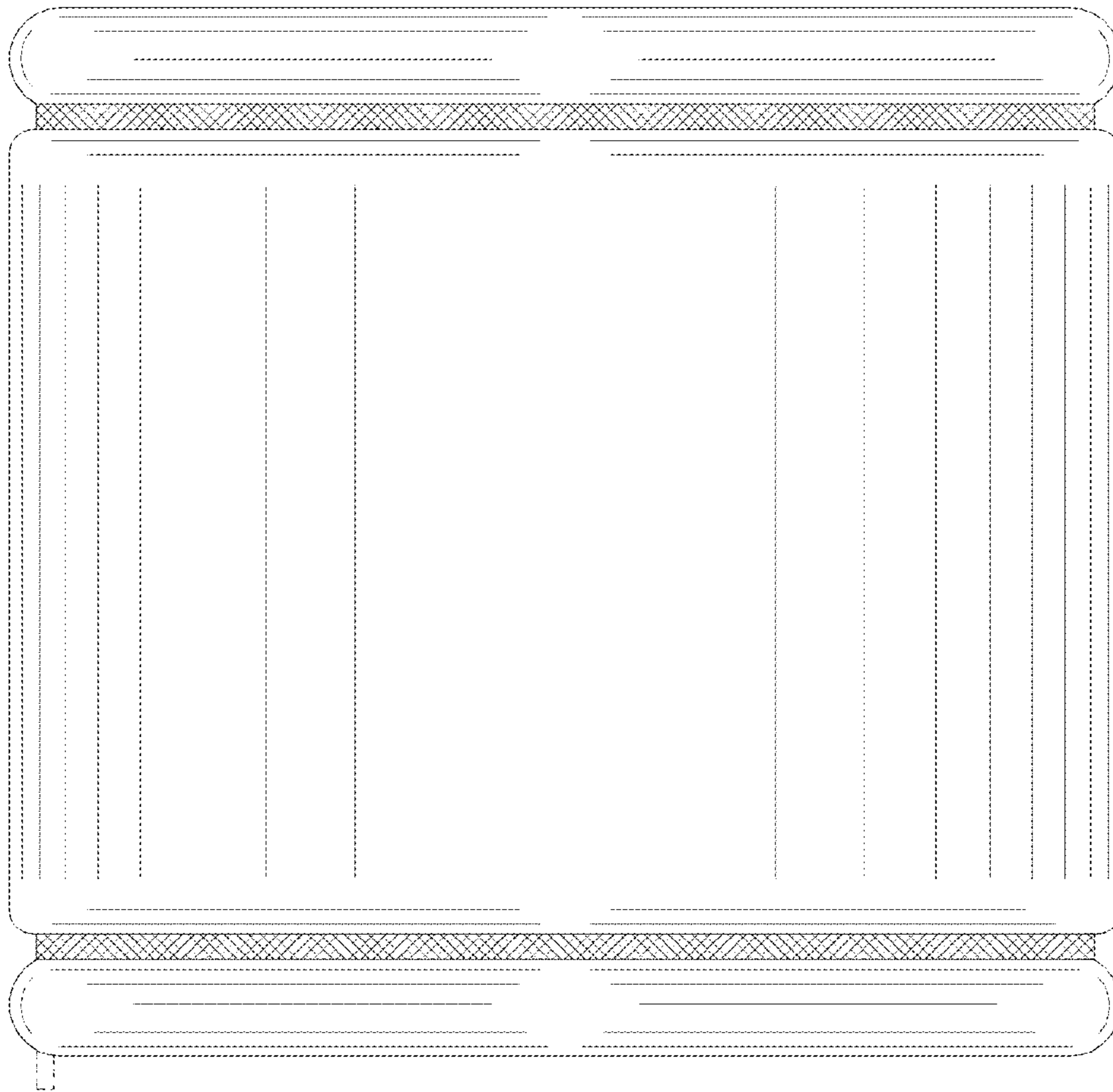


FIG. 7



UNITED STATES PATENT AND TRADEMARK OFFICE  
**CERTIFICATE OF CORRECTION**

PATENT NO. : D744,626 S  
APPLICATION NO. : 29/532875  
DATED : December 1, 2015  
INVENTOR(S) : Derek J. Leatzow et al.

Page 1 of 9

It is certified that error appears in the above-identified patent and that said Letters Patent is hereby corrected as shown below:

On the Title Page

Delete the title page and substitute therefore with the attached title page consisting of the corrected illustrative figure.

In the Drawings

Please replace FIGS. 1-7 with FIGS. 1-7 as shown on the attached pages.

Signed and Sealed this  
Fourth Day of July, 2017



Joseph Matal  
*Performing the Functions and Duties of the  
Under Secretary of Commerce for Intellectual Property and  
Director of the United States Patent and Trademark Office*



(12) **United States Design Patent**  
**Leatzow et al.**

(10) **Patent No.:** **US D744,626 S**  
(45) **Date of Patent:** **\*\* Dec. 1, 2015**

(54) **FILTER FOR AN AIR FILTRATION DEVICE**

(56) **References Cited**

(71) Applicant: **Illinois Tool Works, Inc.**, Glenview, IL (US)

**U.S. PATENT DOCUMENTS**  
3,780,260 A 12/1973 Elsner  
4,560,477 A \* 12/1985 Moldow 210/457  
4,629,482 A 12/1986 Davis  
4,658,707 A 4/1987 Hawkins et al  
4,772,297 A 9/1988 Anzai

(72) Inventors: **Derek J. Leatzow**, Chicago, IL (US);  
**Keith A. Grider**, Chicago, IL (US);  
**Daniel J. Greene**, Chicago, IL (US);  
**Antonio J. Belton**, Richton Park, IL (US)

(Continued)

**FOREIGN PATENT DOCUMENTS**

CN 101010142 A 8/2007  
WO WO 2006/012520 A2 2/2006

(73) Assignee: **Illinois Tool Works, Inc.**, Glenview, IL (US)

**OTHER PUBLICATIONS**

Features of DefendAir HEPA 500, Dri-Eaz, available at [http://www.drieaz.com/\\_DEC/DEC\\_Prodner\\_Base.aspx?decID=1041&AspxAutoDetectCookieSupport=1](http://www.drieaz.com/_DEC/DEC_Prodner_Base.aspx?decID=1041&AspxAutoDetectCookieSupport=1) (Feature tab), printed Jul. 27, 2013 (1 page).

(\*\*) Term: **15 Years**

(Continued)

(21) Appl. No.: **29/532,875**

(22) Filed: **Jul. 10, 2015**

*Primary Examiner* David Muller  
*Assistant Examiner* Nathan Johnston  
(74) *Attorney, Agent, or Firm* Neal, Gerber & Eisenberg LLP

**Related U.S. Application Data**

(62) Division of application No. 29/449,728, filed on Mar. 15, 2013.

(51) **LOC (10) CL** ..... **23-04**

(52) **U.S. Cl.**  
USPC ..... **D23/365**

(58) **Field of Classification Search**  
USPC ..... D23/365, 209, 363, 358, 386, 354, 341, D23/364, 314, 323, 330, 499; 55/385.3, 55/502, 497, 506, 505, 521, 495, 422, 493, 55-DIG. 30; 210/435, 130, 136, 248, 339, 210/448, 452, 497.1; D15/5  
CPC ..... B01D 46/0004; B01D 46/0041; B01D 46/30; B01D 46/0086; B01D 46/0024; B01D 46/44; B01D 46/444; B01D 46/46; B01D 46/446

See application file for complete search history.

(57) **CLAIM**  
The ornamental design for a filter for an air filtration device, as shown and described.

**DESCRIPTION**

FIG. 1 is a top front perspective view of a filter of our new design.  
FIG. 2 is a top plan view thereof.  
FIG. 3 is a bottom plan thereof.  
FIG. 4 is a front elevation thereof.  
FIG. 5 is a rear elevation view thereof.  
FIG. 6 is a left side elevation view thereof; and,  
FIG. 7 is a right side elevation view thereof.  
The portion of the filter shown in phantom is not part of the design sought to be patented and is provided for environmental purposes only.

**1 Claim, 7 Drawing Sheets**

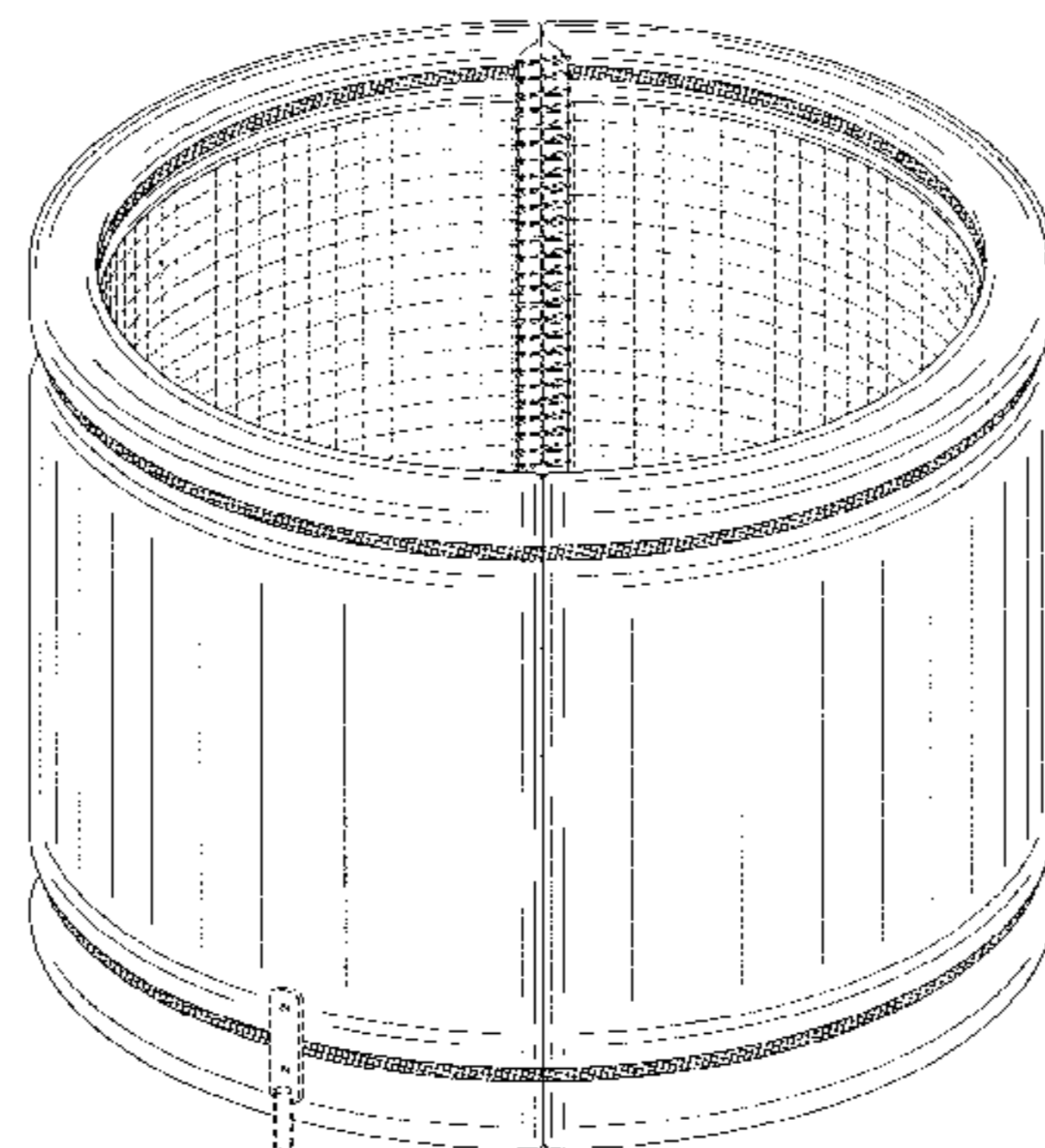


FIG. 1

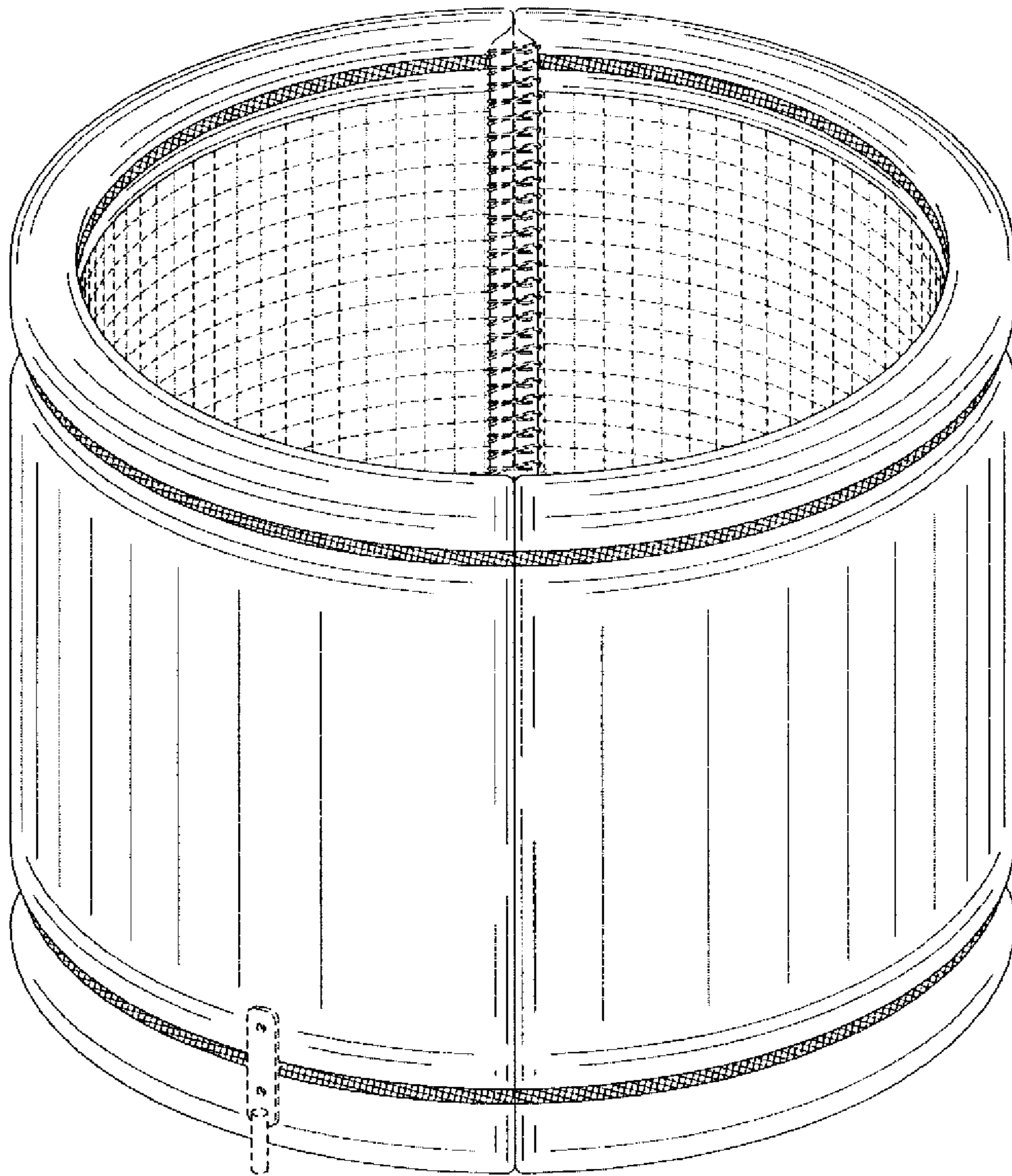


FIG. 2

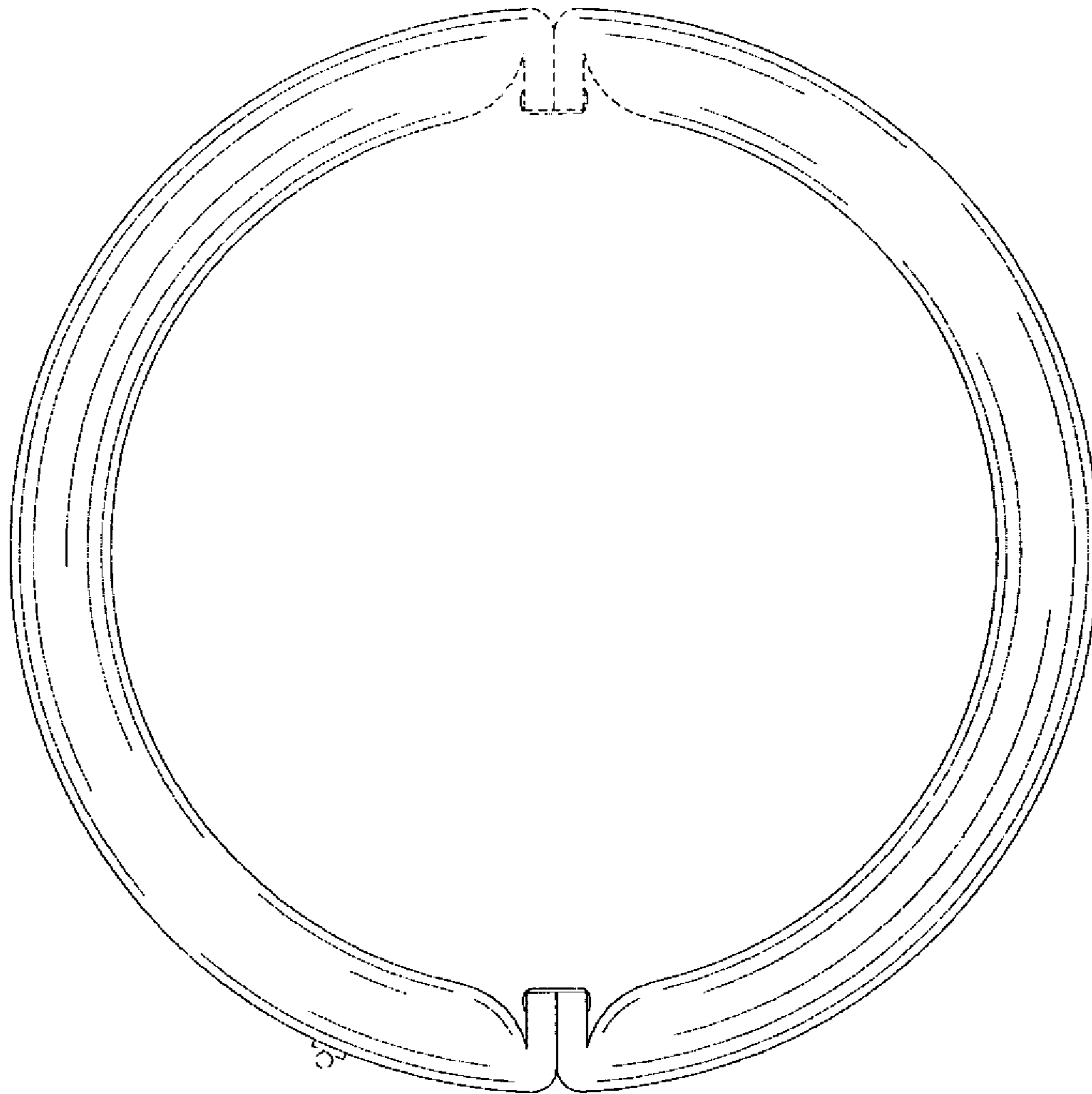




FIG. 3

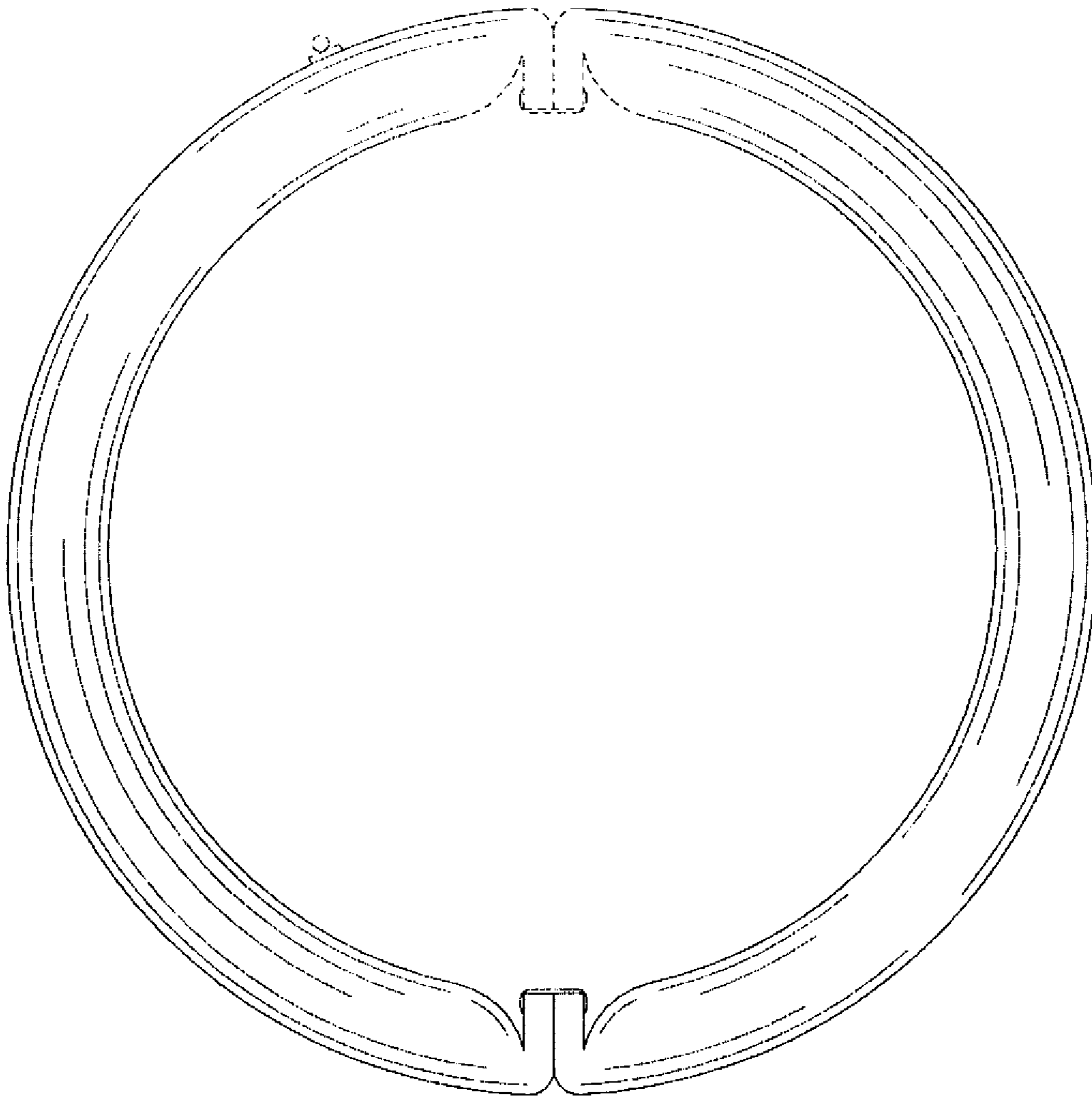


FIG. 4

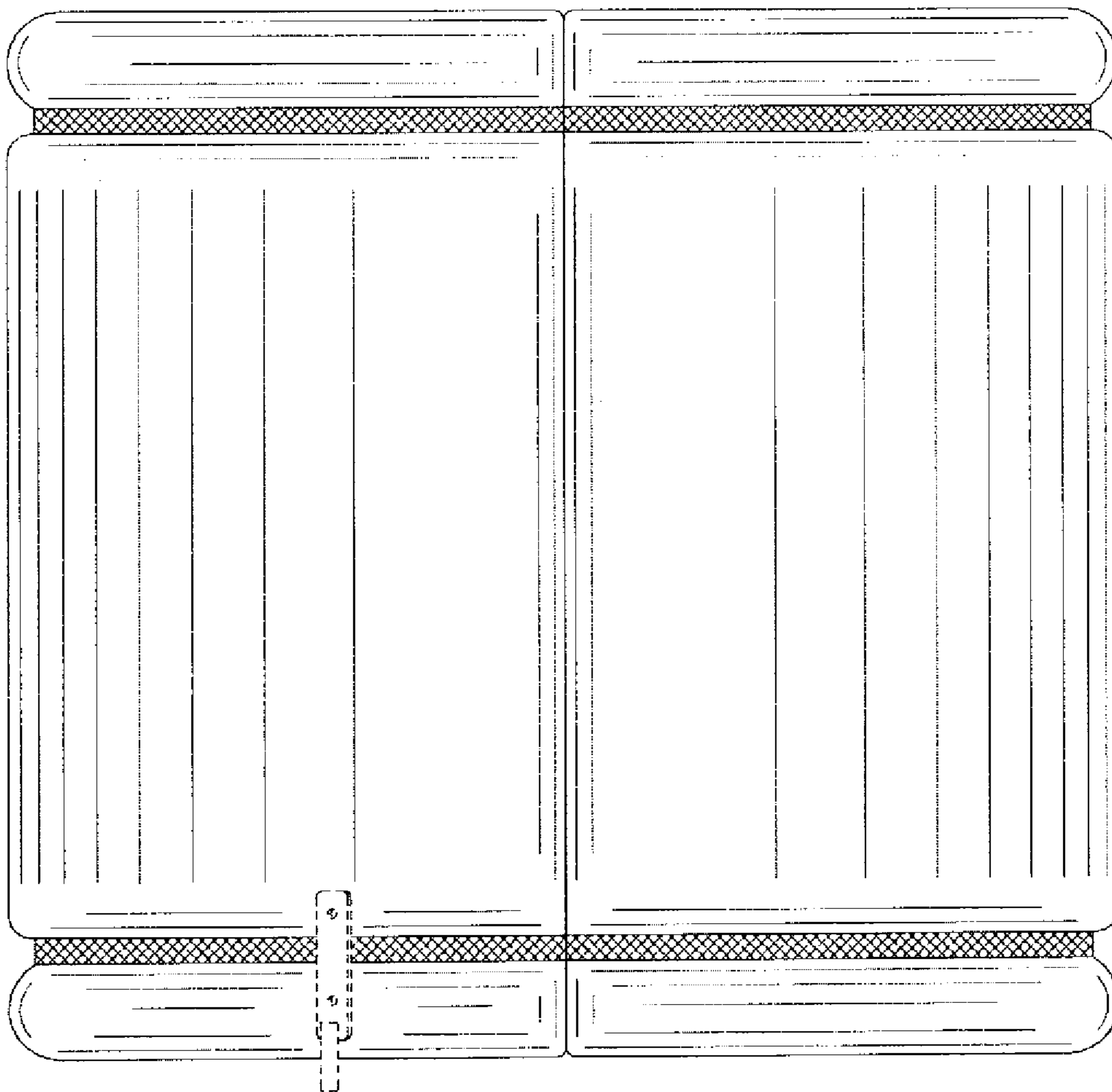


FIG. 5

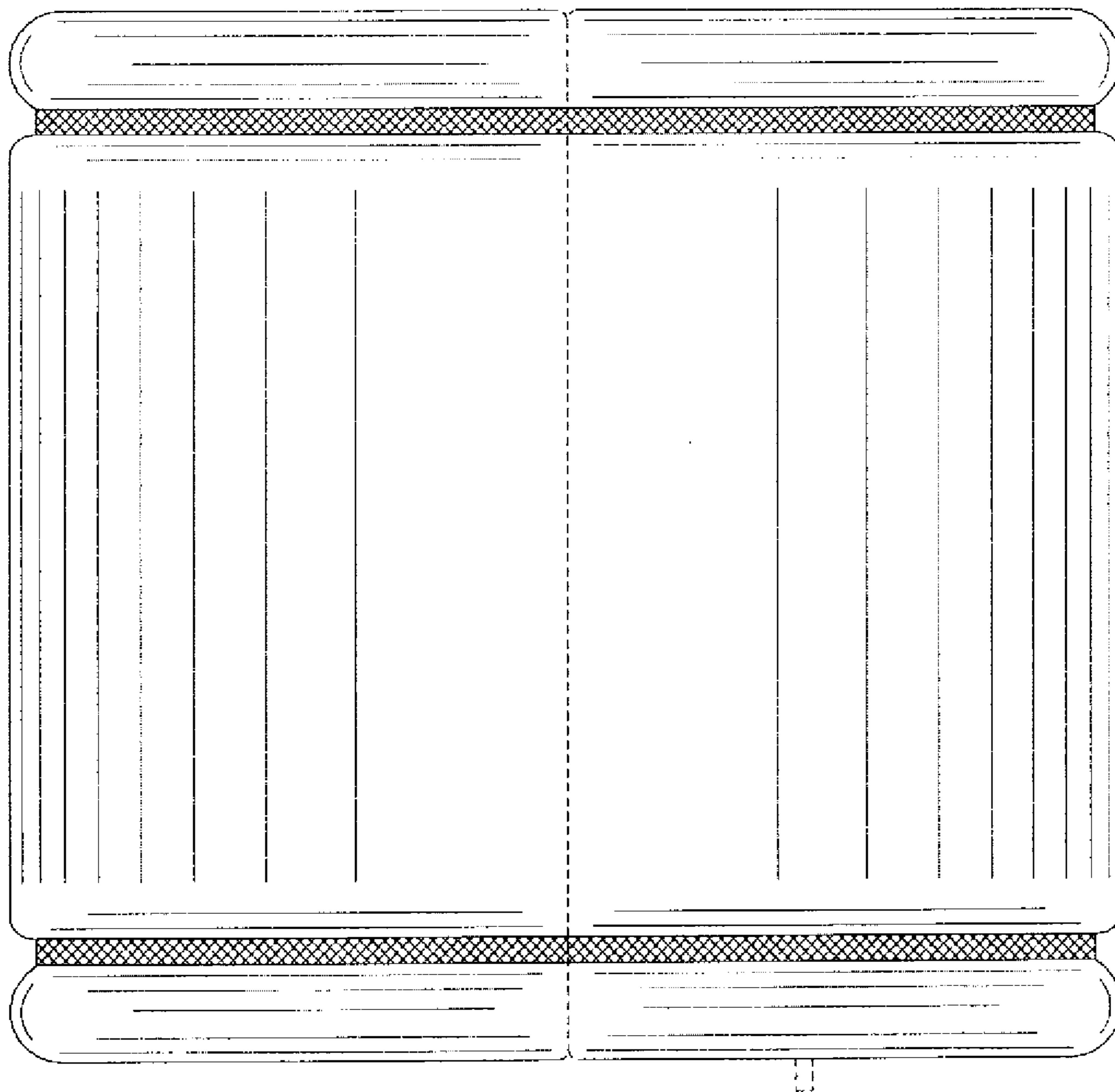




FIG. 6

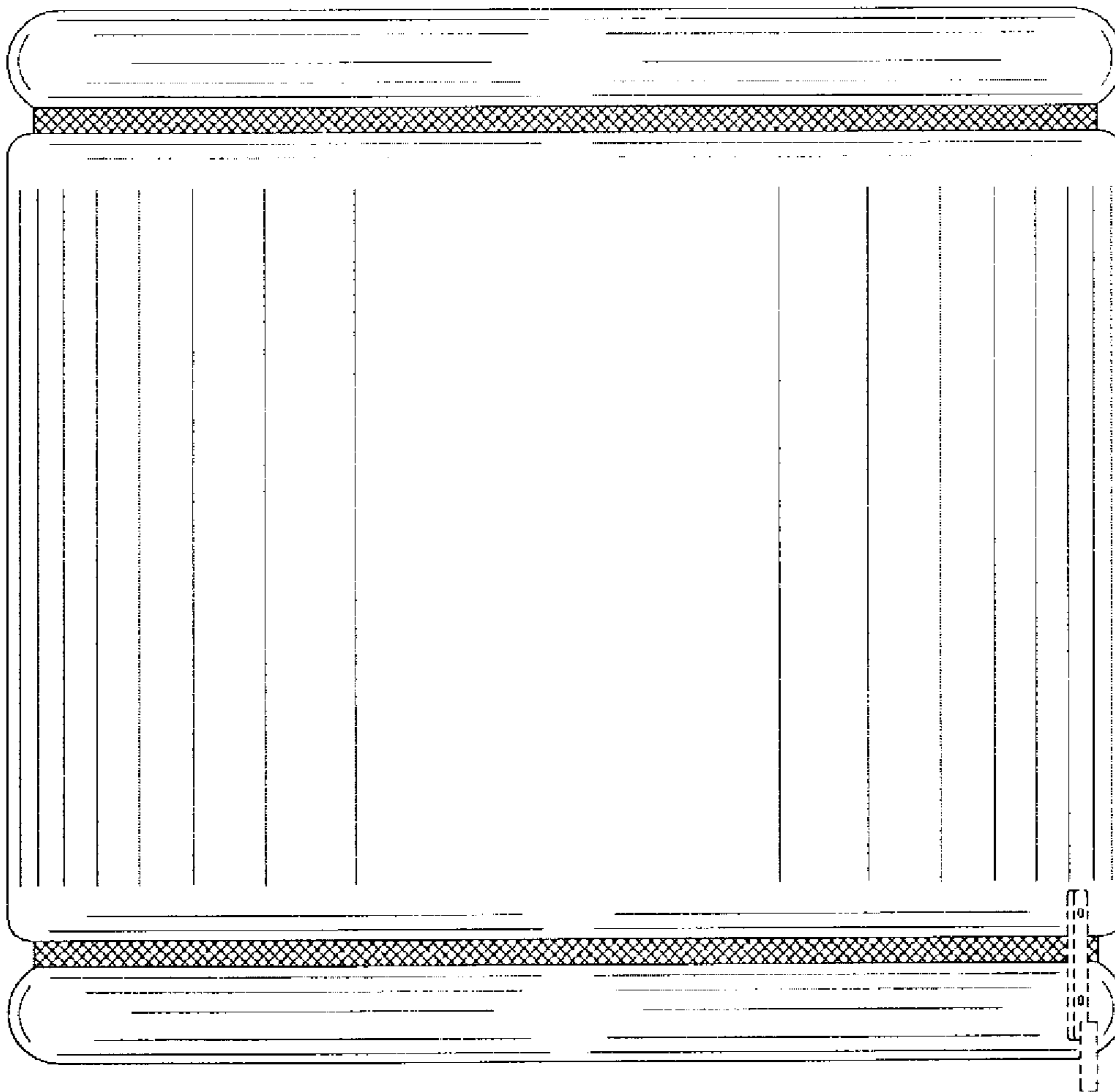


FIG. 7

