



US00D744623S

(12) **United States Design Patent**
Ren

(10) **Patent No.:** **US D744,623 S**
(45) **Date of Patent:** **** Dec. 1, 2015**

(54) **ELECTRIC HEATER**

(76) Inventor: **Jianhua Ren**, Jiangmen (CN)

(**) Term: **14 Years**

(21) Appl. No.: **29/419,803**

(22) Filed: **May 2, 2012**

(51) **LOC (10) CI.** **23-03**

(52) **U.S. CI.**
USPC **D23/332**

(58) **Field of Classification Search**

USPC D23/314, 332, 335-350, 378, 370, 381,
D23/354, 351, 386, 333, 328, 353, 361, 385,
D23/417, 357; 392/365, 367, 424, 383, 411,
392/360, 369, 373-376; 126/183, 110 B,
126/91 A, 92 A, 500, 544, 547; 431/125
See application file for complete search history.

(56) **References Cited**

U.S. PATENT DOCUMENTS

D620,569 S * 7/2010 Hall et al. D23/332
D639,919 S * 6/2011 Yu D23/314
D663,809 S * 7/2012 Ren D23/317

D663,810 S * 7/2012 Ren D23/317
D663,811 S * 7/2012 Ren D23/317
2004/0218912 A1* 11/2004 Shapiro et al. 392/365

* cited by examiner

Primary Examiner — T. Chase Nelson

Assistant Examiner — Ania Aman

(57) **CLAIM**

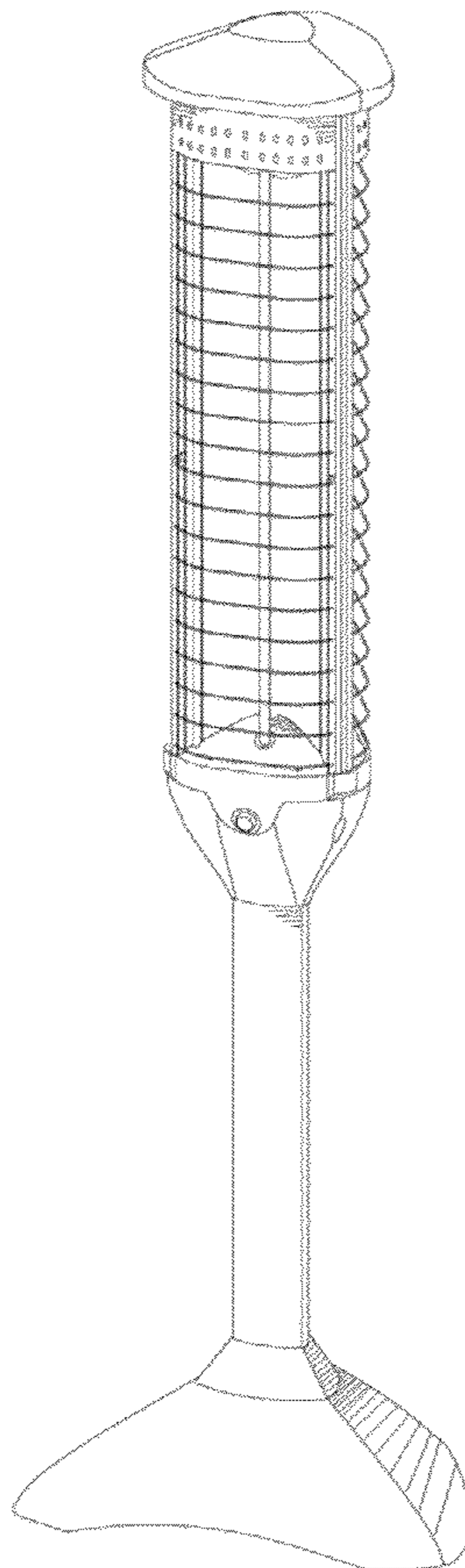
I claim the ornamental design for an electric heater, as shown and described.

DESCRIPTION

FIG. 1 is a front and right side perspective view of an electric heater, showing my new design;
FIG. 2 is a front view thereof;
FIG. 3 is a rear view thereof;
FIG. 4 is a left side view thereof;
FIG. 5 is a right side view thereof;
FIG. 6 is a top view thereof; and,
FIG. 7 is a bottom view thereof.

The structural features depicted by broken lines in FIG. 2, FIG. 3 and FIG. 7 have been shown for the purpose of illustrating portions of the electric heater that form no part of the claimed design.

1 Claim, 7 Drawing Sheets



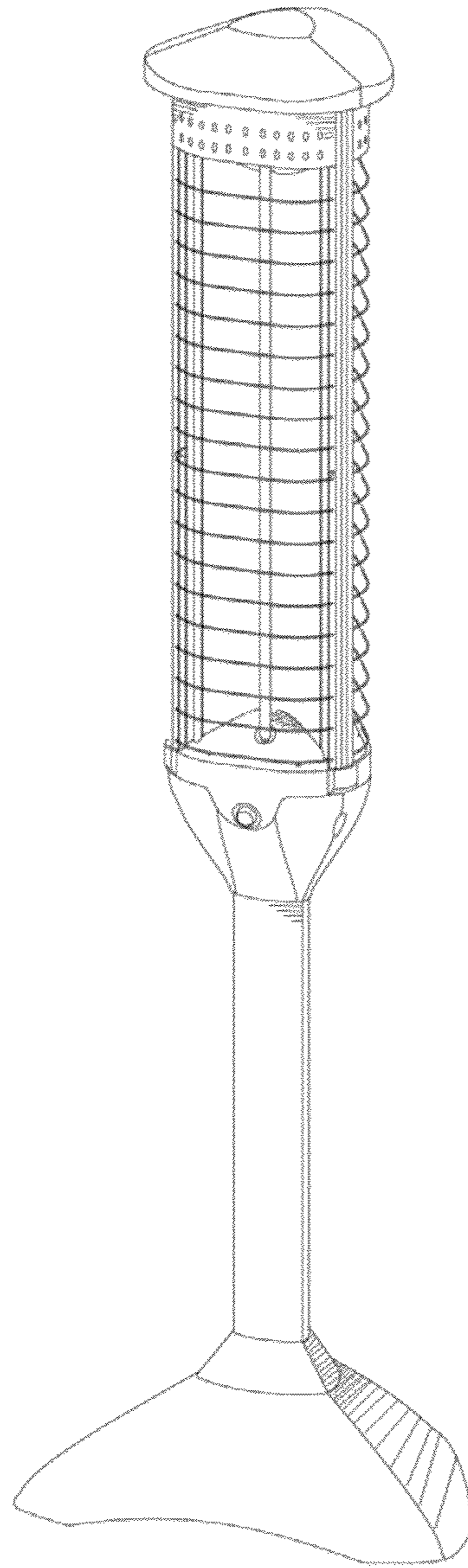


FIG. 1

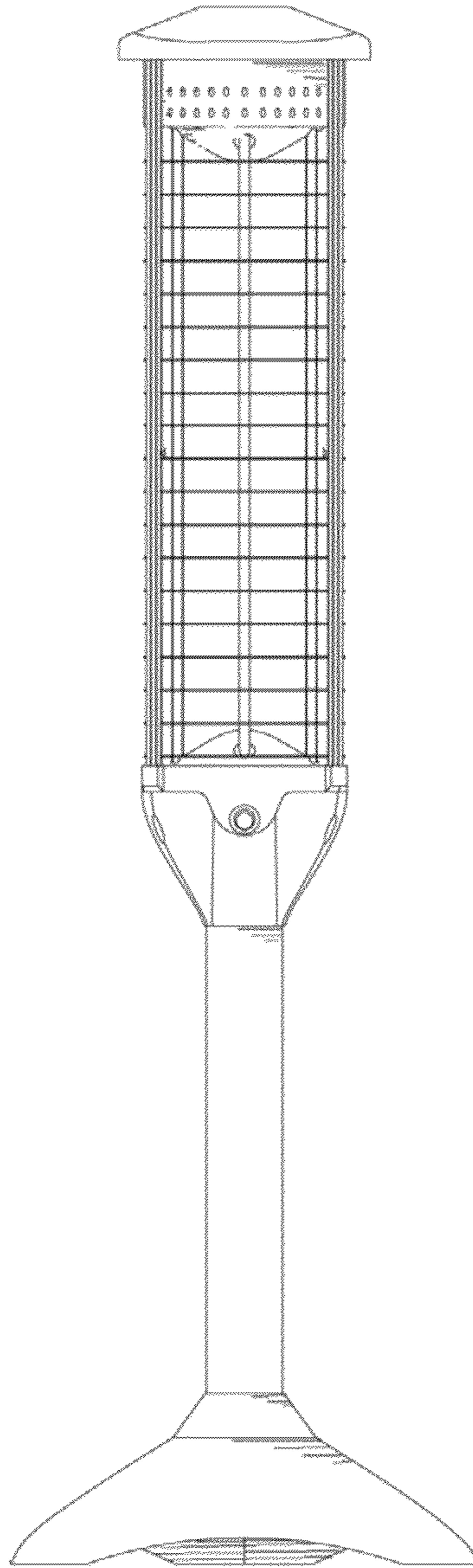


FIG. 2

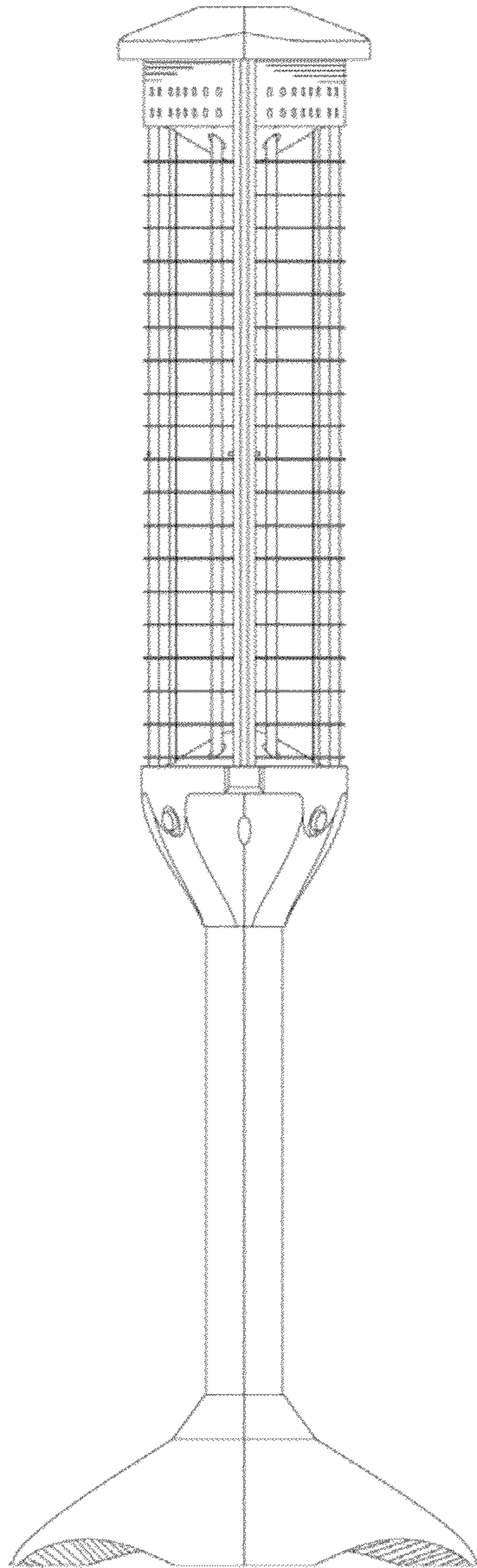


FIG. 3

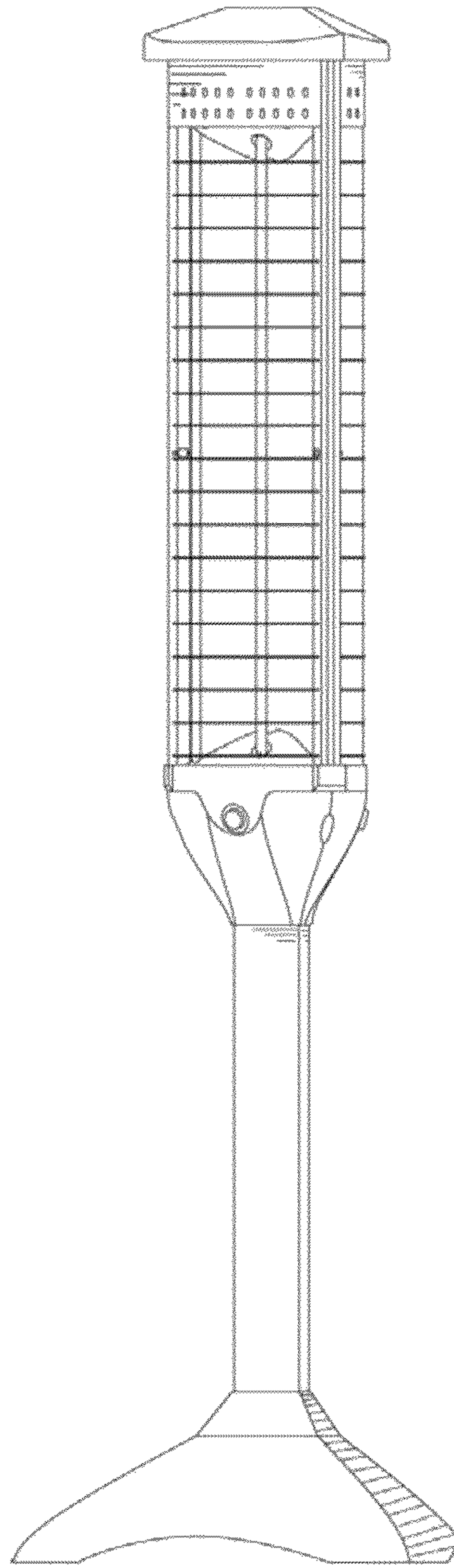


FIG. 4

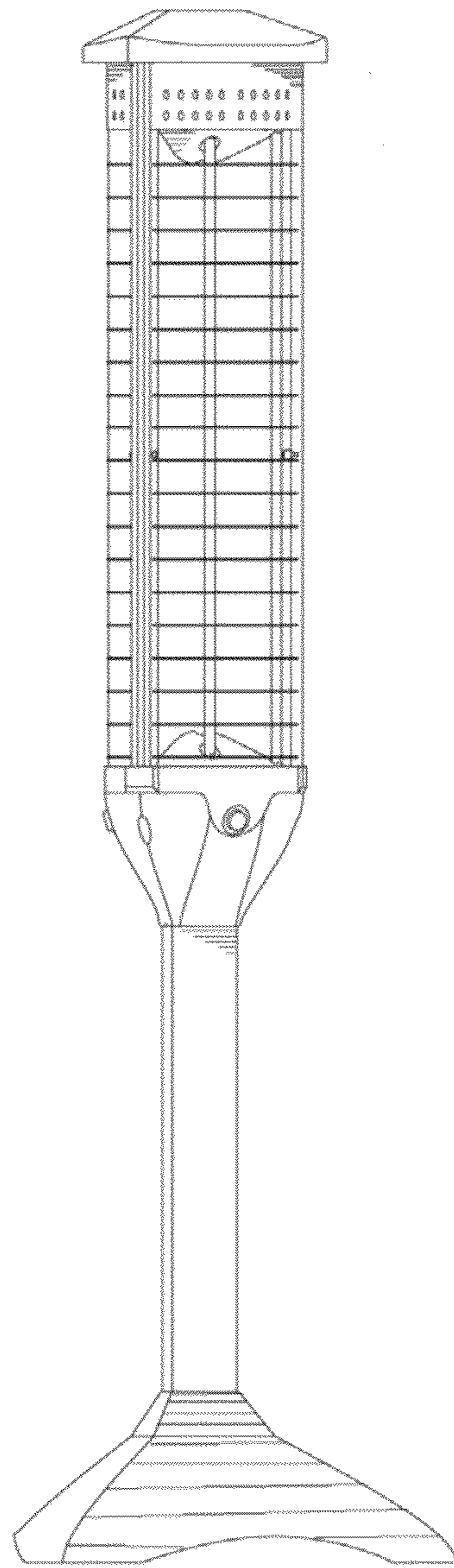


FIG. 5

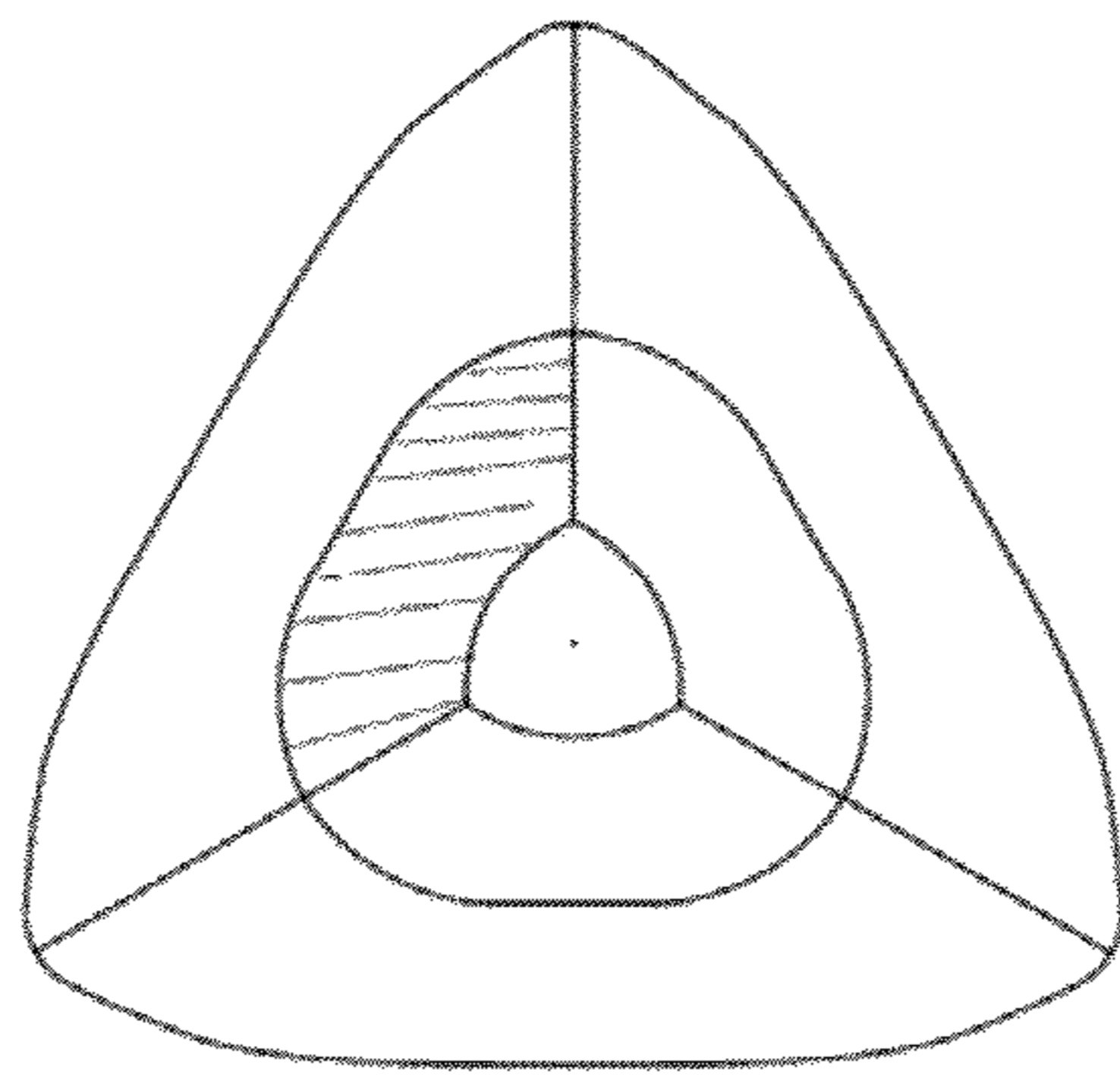


FIG. 6

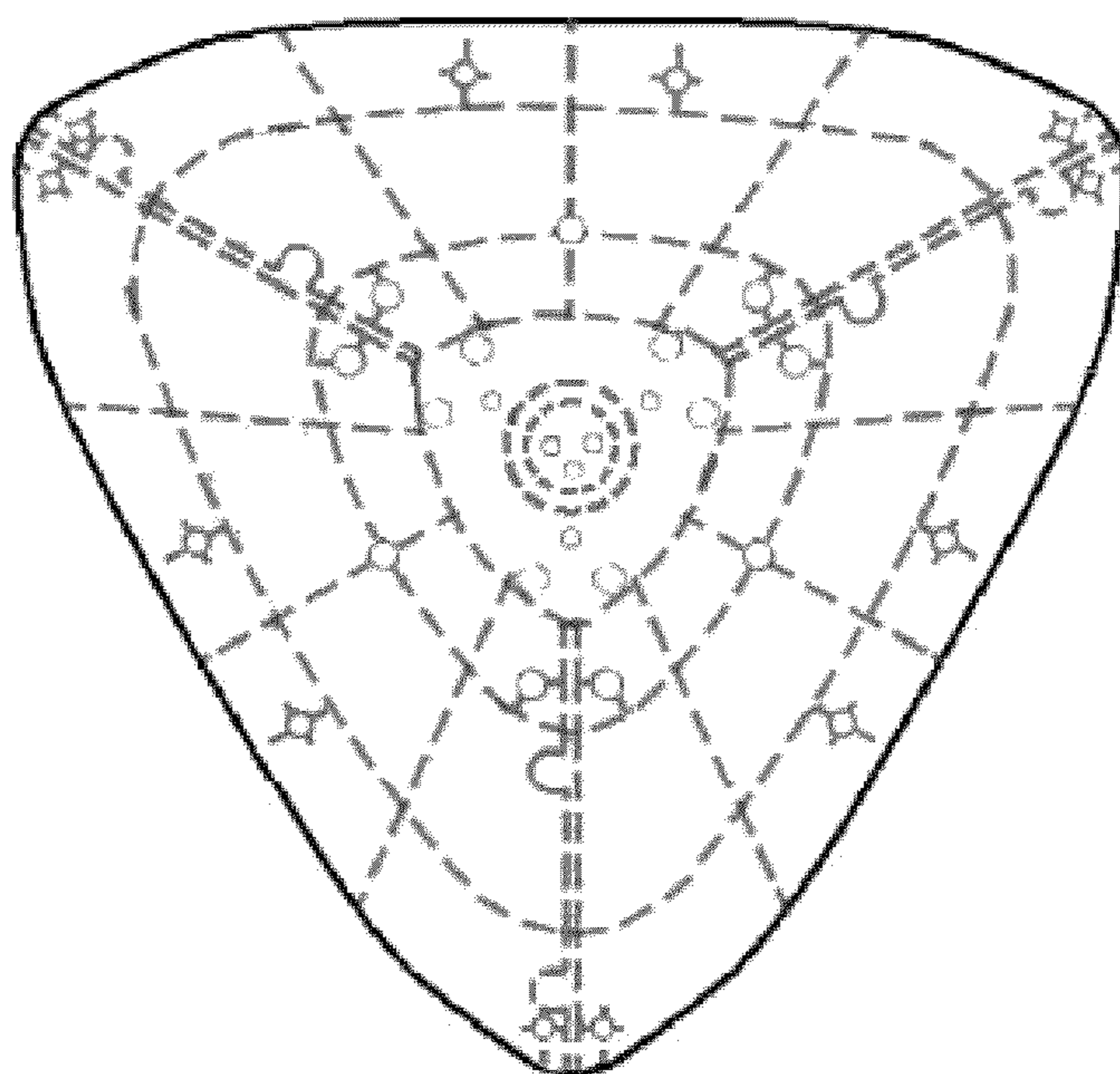


Fig 7