



US00D744620S

(12) **United States Design Patent**
Adkison et al.

(10) **Patent No.:** **US D744,620 S**
(45) **Date of Patent:** **** Dec. 1, 2015**

- (54) **SINK**
- (71) Applicant: **Acorn Engineering Company**, City of Industry, CA (US)
- (72) Inventors: **Christopher Adkison**, Ontario, CA (US); **Darryl Boeltl**, Whittier, CA (US)
- (73) Assignee: **Acorn Engineering Company**, City of Industry, CA (US)
- (**) Term: **14 Years**
- (21) Appl. No.: **29/474,740**
- (22) Filed: **Jan. 23, 2015**
- (51) **LOC (10) Cl.** **23-02**
- (52) **U.S. Cl.**
USPC **D23/284**
- (58) **Field of Classification Search**
USPC D23/271-274, 284, 286, 291-293.1, D23/303, 308
CPC E03C 1/00; E03C 1/01; E03C 1/02; E03C 1/12; E03C 1/18
See application file for complete search history.

- D345,784 S 4/1994 O'Connell et al.
- D391,353 S 2/1998 McKeone
- D393,057 S 3/1998 Gardner et al.
- D412,204 S 7/1999 Slothower et al.
- D415,261 S 10/1999 Thomas
- D426,623 S 6/2000 Svendsen
- D433,109 S 10/2000 Wilke et al.
- D448,458 S 9/2001 Beltran
- D452,300 S 12/2001 Jones
- D471,263 S 3/2003 Bayer et al.
- D499,797 S 12/2004 Bates
- D507,334 S 7/2005 Beltran
- D560,783 S 1/2008 Marshall et al.
- D585,116 S 1/2009 Gomez et al.
- D599,448 S 9/2009 Durringer et al.
- D622,825 S 8/2010 LeTourneau et al.
- D632,766 S 2/2011 Matsuura et al.
- D634,410 S 3/2011 Palomba et al.
- D645,125 S 9/2011 Palomba et al.
- D645,946 S 9/2011 Salazar
- D670,795 S 11/2012 Wang

Primary Examiner — Robert Delehanty
(74) *Attorney, Agent, or Firm* — William S. Ramsey

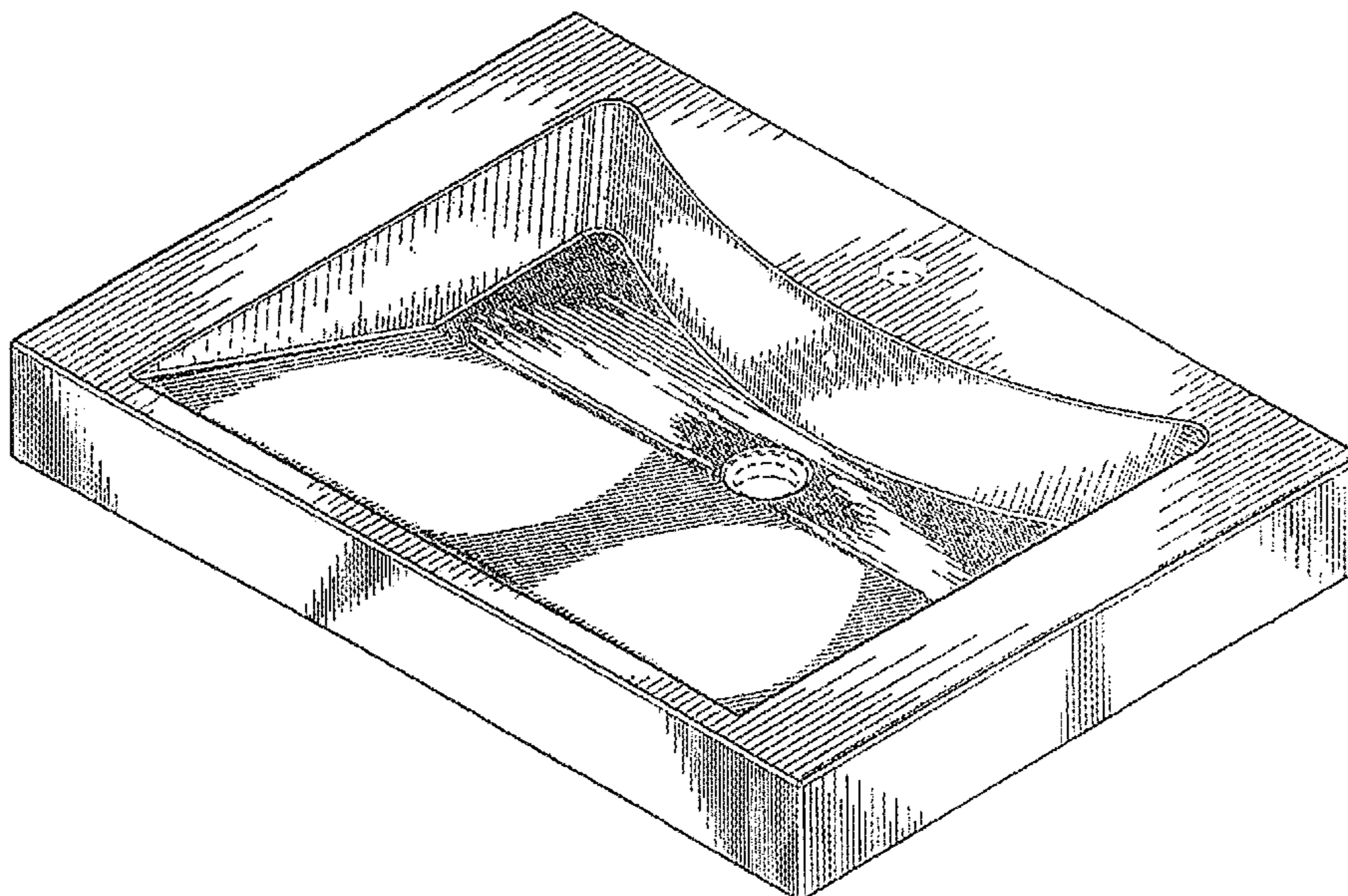
(57) **CLAIM**
The ornamental design for a sink, as shown and described.

DESCRIPTION

FIG. 1 is a perspective view of a sink showing our new design; FIG. 2 is a top plan view thereof; FIG. 3 is a front elevational view thereof; FIG. 4 is a left side elevational view thereof; and, FIG. 5 is a right side elevational view thereof. The back and bottom sides of the sink are unornamented.

1 Claim, 5 Drawing Sheets

- (56) **References Cited**
U.S. PATENT DOCUMENTS
- D143,104 S 12/1945 Young
- D198,016 S 4/1964 Kaiser
- D211,524 S 6/1968 Plantholt
- D212,418 S 10/1968 Doman
- D255,923 S 7/1980 Rosenkranz
- D314,612 S 2/1991 Sauter et al.



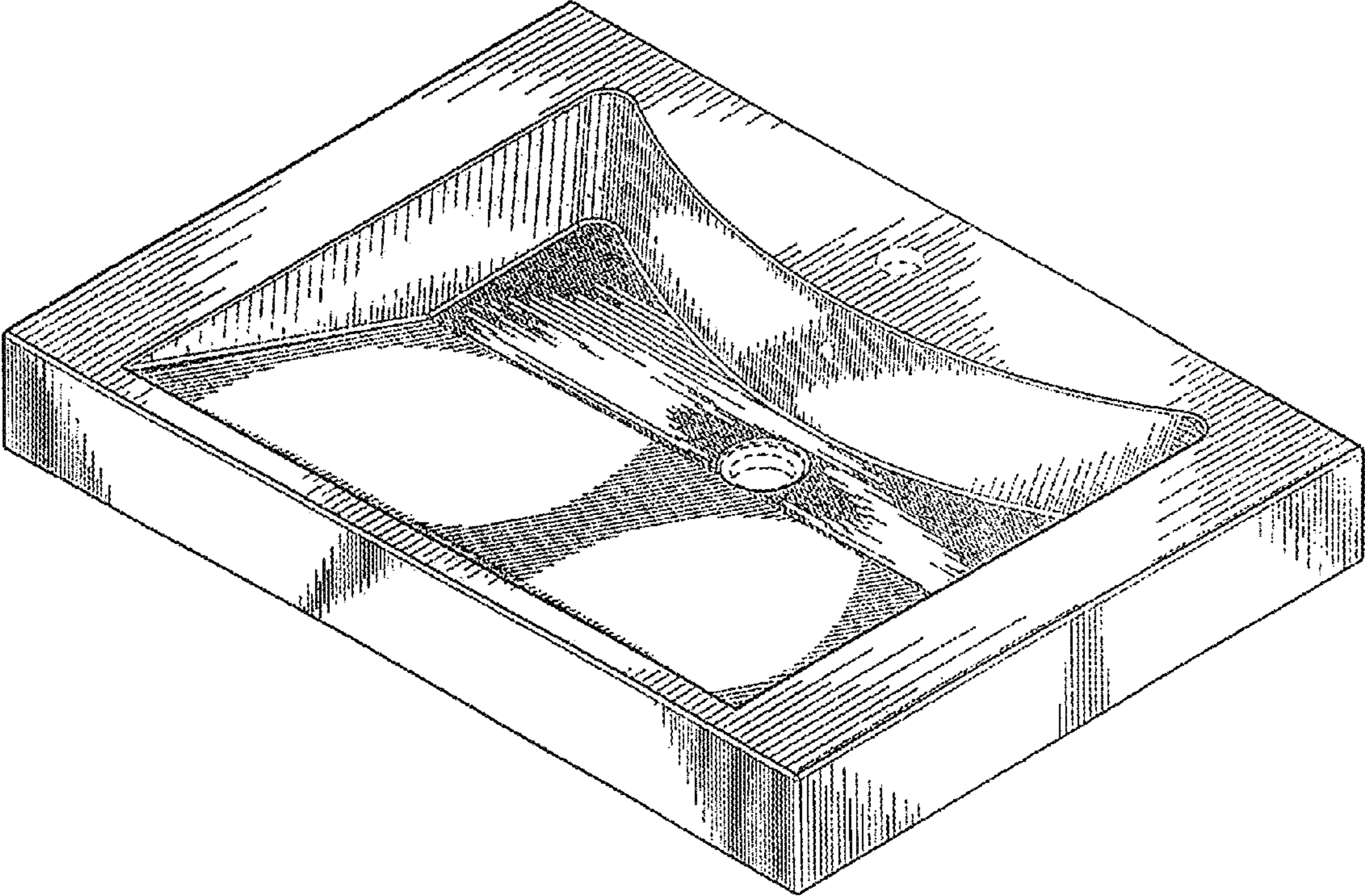


FIG: 1

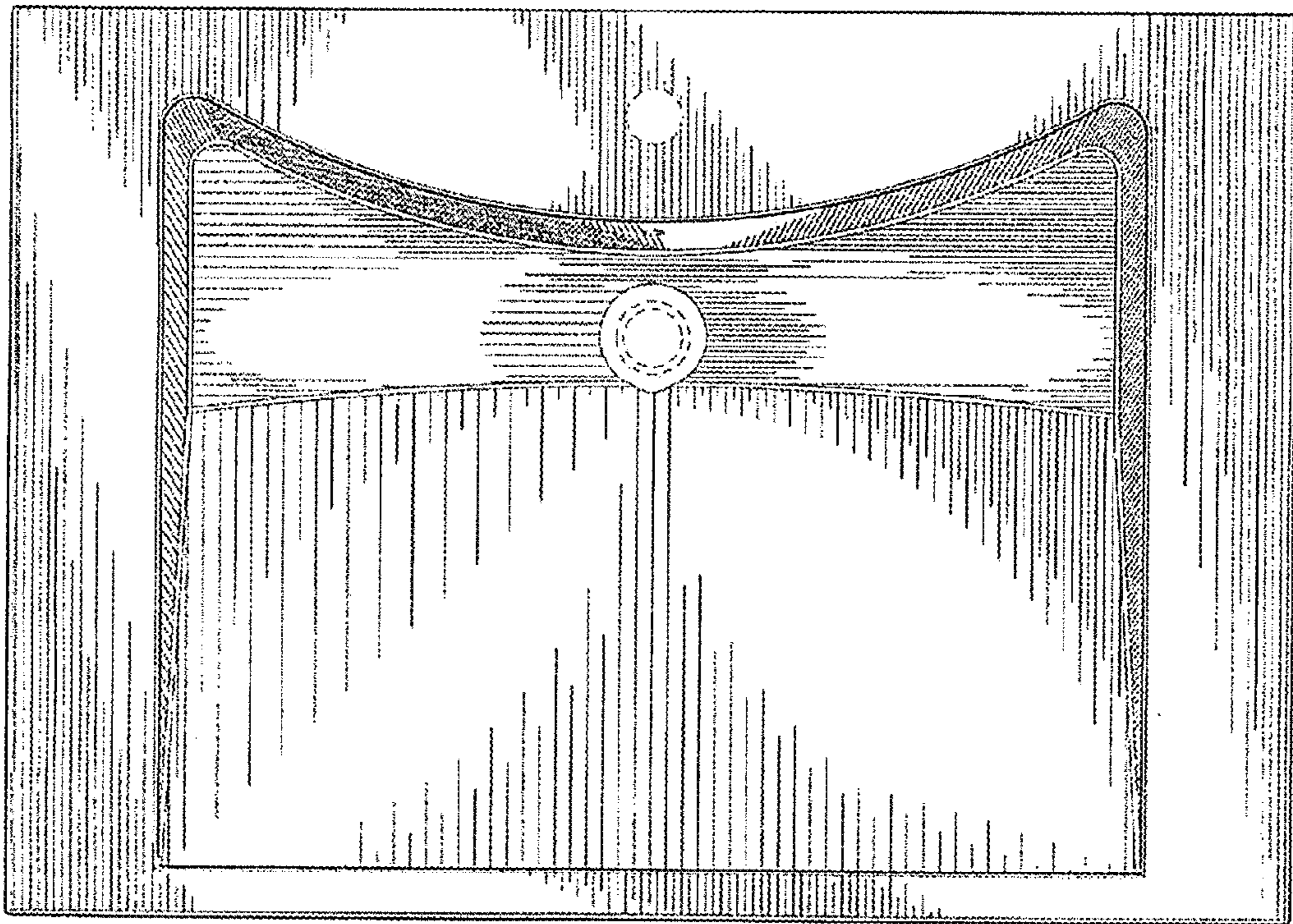


FIG: 2

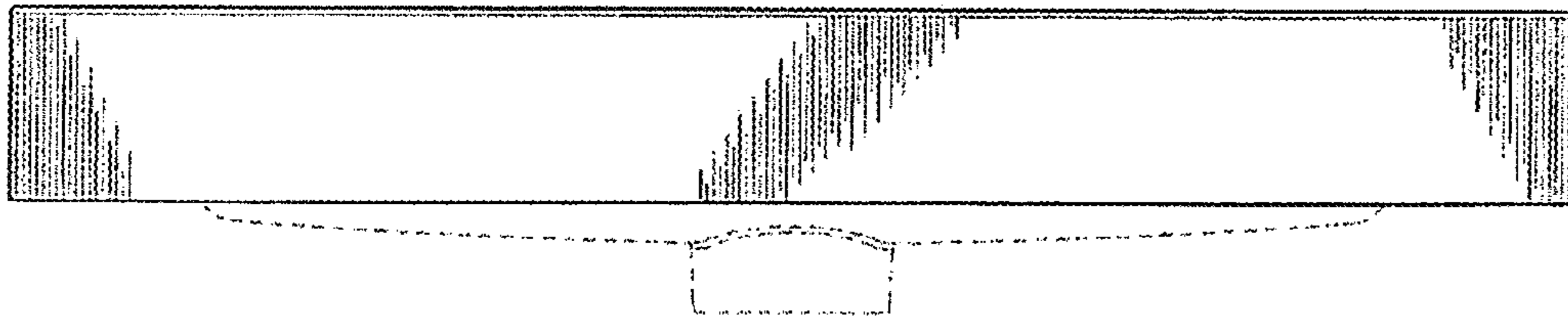


FIG: 3

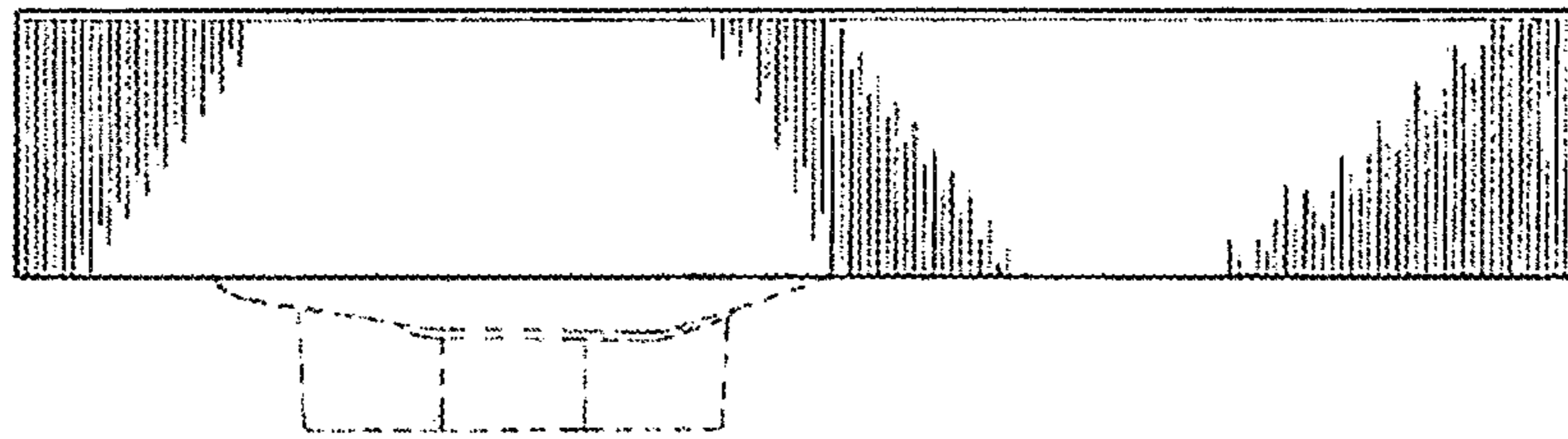


FIG: 4

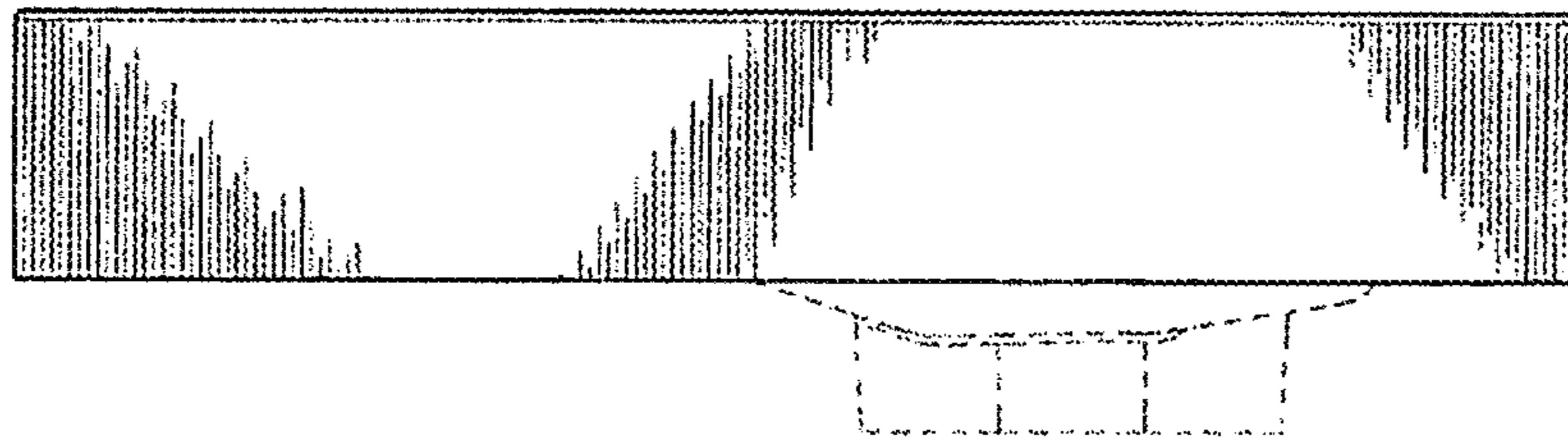


FIG: 5