



US00D744618S

(12) **United States Design Patent**
Gooding

(10) **Patent No.:** **US D744,618 S**

(45) **Date of Patent:** **** Dec. 1, 2015**

(54) **FLANGE SHIELD**

(71) Applicant: **Thermaflue Systems Limited,**
Doncaster (GB)

(72) Inventor: **David Gooding,** Doncaster (GB)

(73) Assignee: **Thermaflue Systems Limited** (GB)

(**) Term: **14 Years**

(21) Appl. No.: **29/492,858**

(22) Filed: **Jun. 3, 2014**

(30) **Foreign Application Priority Data**

May 6, 2014 (WO) DM/083 617

(51) **LOC (10) Cl.** **23-01**

(52) **U.S. Cl.**
USPC **D23/259**

(58) **Field of Classification Search**
USPC D23/259-265; 285/45, 47, 53; 150/156,
150/901; 138/149; 137/375, 377, 382
See application file for complete search history.

(56) **References Cited**

U.S. PATENT DOCUMENTS

2,985,552	A *	5/1961	Watanabe	150/156
3,116,774	A *	1/1964	Callahan	220/200
4,039,098	A *	8/1977	Stilts	220/694.1
4,207,918	A *	6/1980	Burns et al.	137/375
4,489,473	A *	12/1984	Nakagami	29/451
4,556,082	A *	12/1985	Riley et al.	137/375
D293,703	S *	1/1988	Kaye	D23/249
4,925,605	A *	5/1990	Petronko	264/46.6
5,158,114	A *	10/1992	Botsolas	138/149
5,522,433	A *	6/1996	Nygaard	138/149
5,878,776	A *	3/1999	Love	137/375
6,520,201	B2 *	2/2003	Sweeney et al.	137/377

6,640,825	B2 *	11/2003	McAtarian	137/312
D486,205	S *	2/2004	Petschek	D23/249
6,907,907	B2 *	6/2005	Maida	138/149
D605,900	S *	12/2009	Bodum	D7/607
7,637,288	B2 *	12/2009	Kressierer/Huber et al.	138/149
8,944,092	B2 *	2/2015	Earp	137/313
2004/0168754	A1 *	9/2004	Chen	150/156

FOREIGN PATENT DOCUMENTS

GB 2509834 A 7/2014

* cited by examiner

Primary Examiner — John Windmuller

Assistant Examiner — Steven Czyn

(74) *Attorney, Agent, or Firm* — Clark Hill PLC; James R. Foley

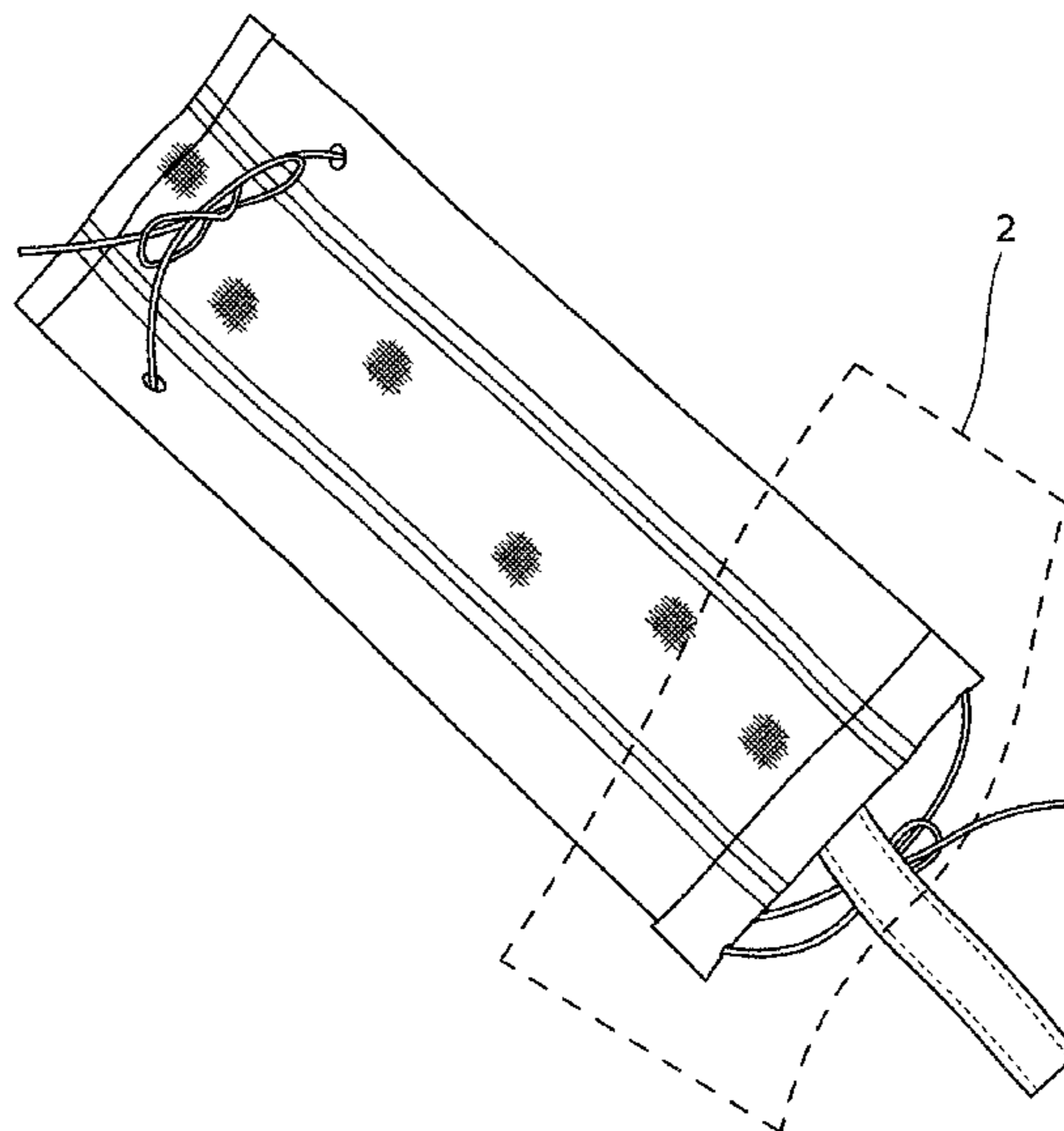
(57) **CLAIM**

The ornamental design for a flange shield, as shown and described.

DESCRIPTION

FIG. 1 is a top view of an unfolded flange shield;
 FIG. 2 is an enlarged view of the unfolded flange shield taken along line 2-2 as illustrated in FIG. 1;
 FIG. 3 is a side view of the folded flange shield;
 FIG. 4 is an enlarged view of the folded flange shield taken along line 4-4 as illustrated in FIG. 3;
 FIG. 5 is a side-front view of the folded and joined flange shield;
 FIG. 6 is a front-side view of the folded and joined flange shield;
 FIG. 7 is a top view of the folded and joined flange shield; and,
 FIG. 8 is an enlarged view of the folded and joined flange shield taken along line 8-8 as illustrated in FIG. 7.
 The broken lines represent stitch lines and form no part of the claimed design.

1 Claim, 8 Drawing Sheets



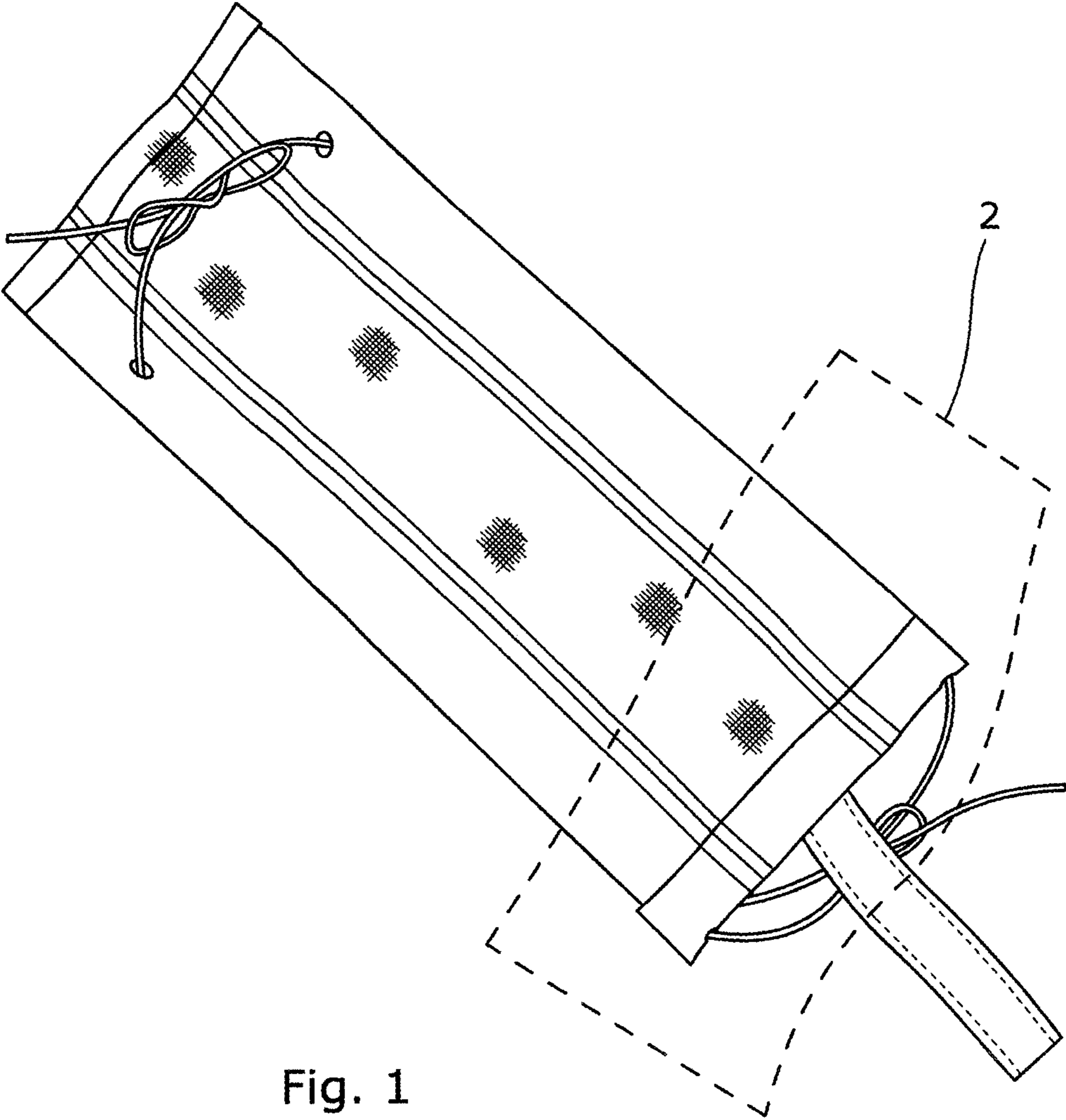


Fig. 1

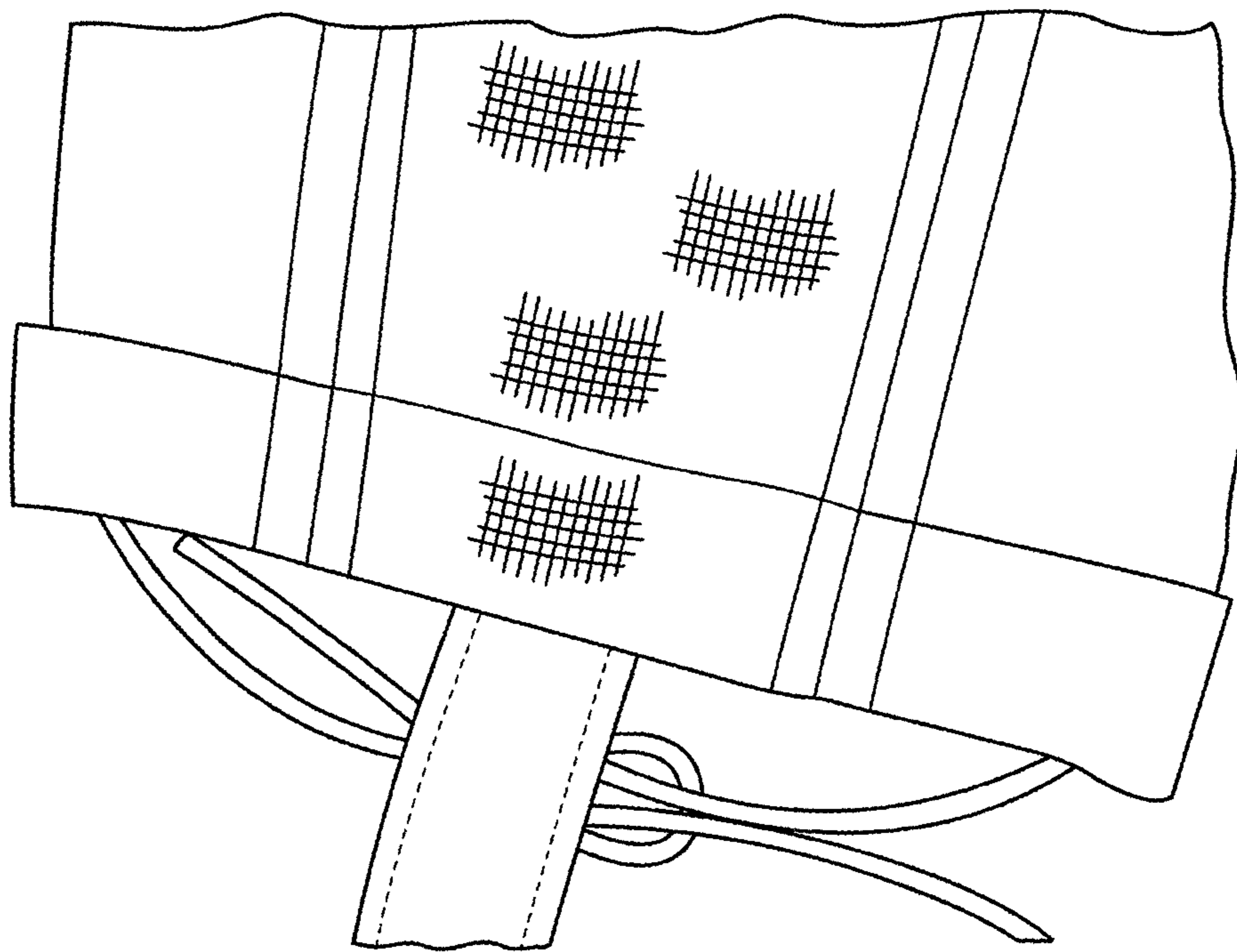


Fig. 2

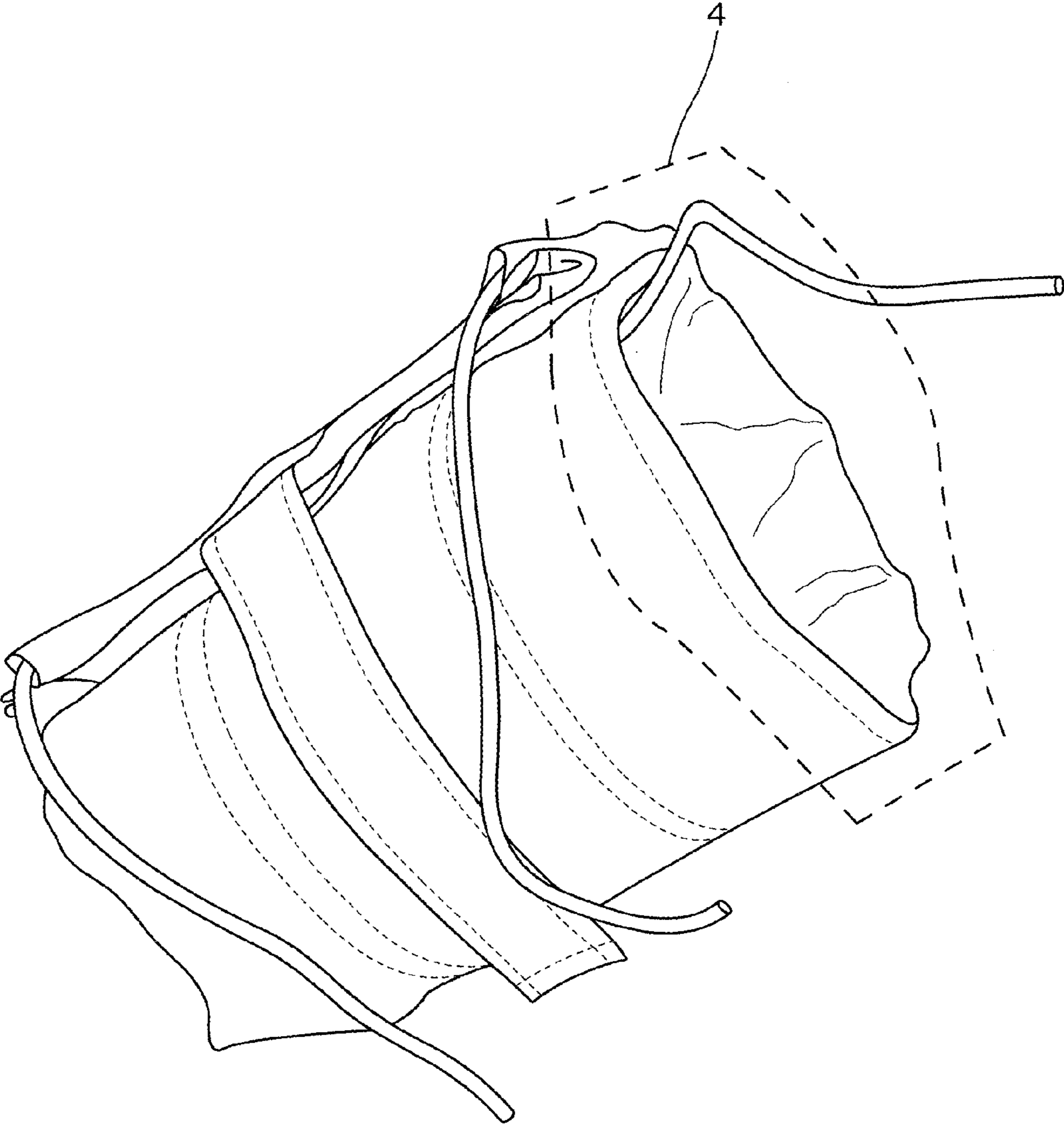


Fig. 3

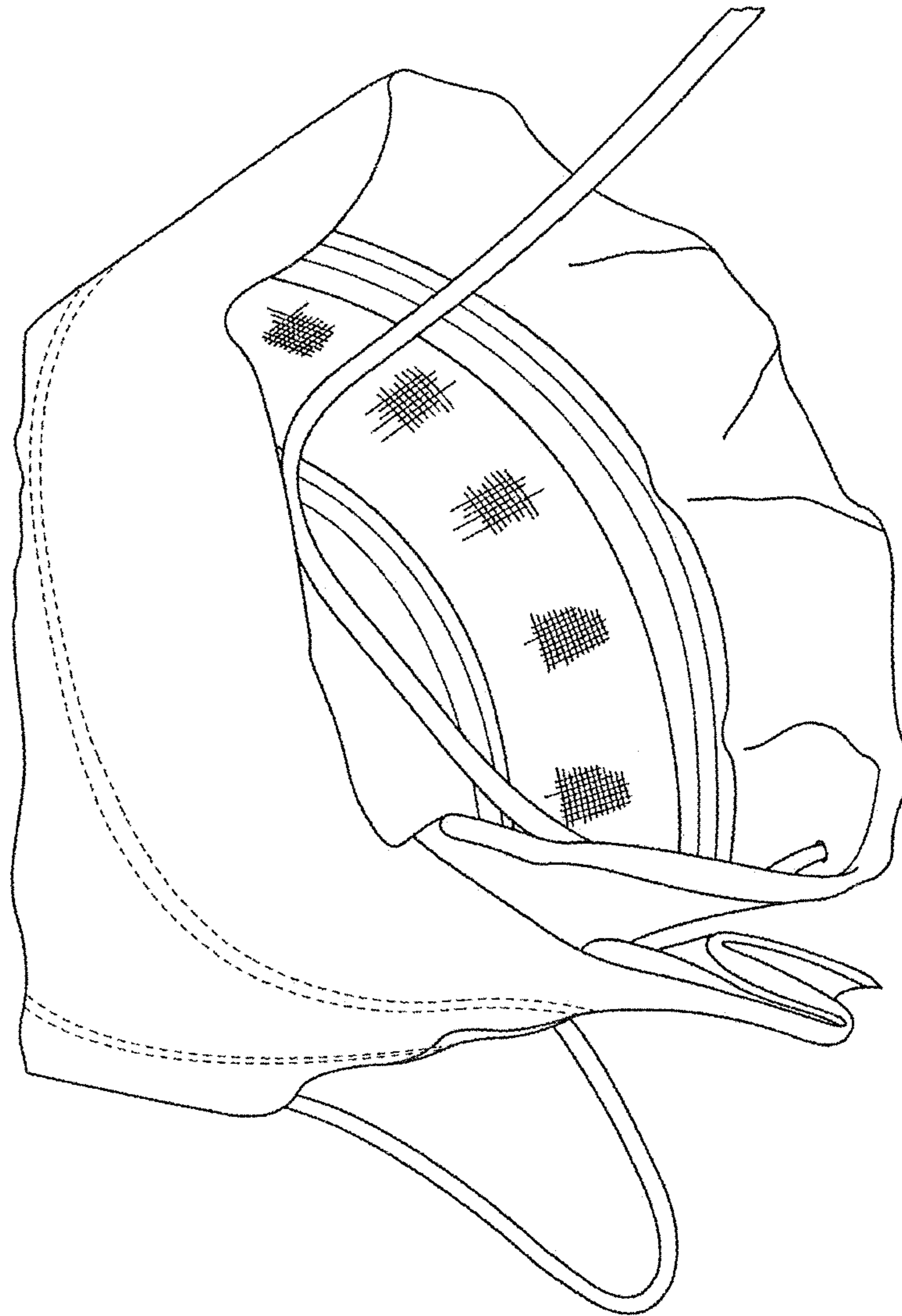


Fig. 4

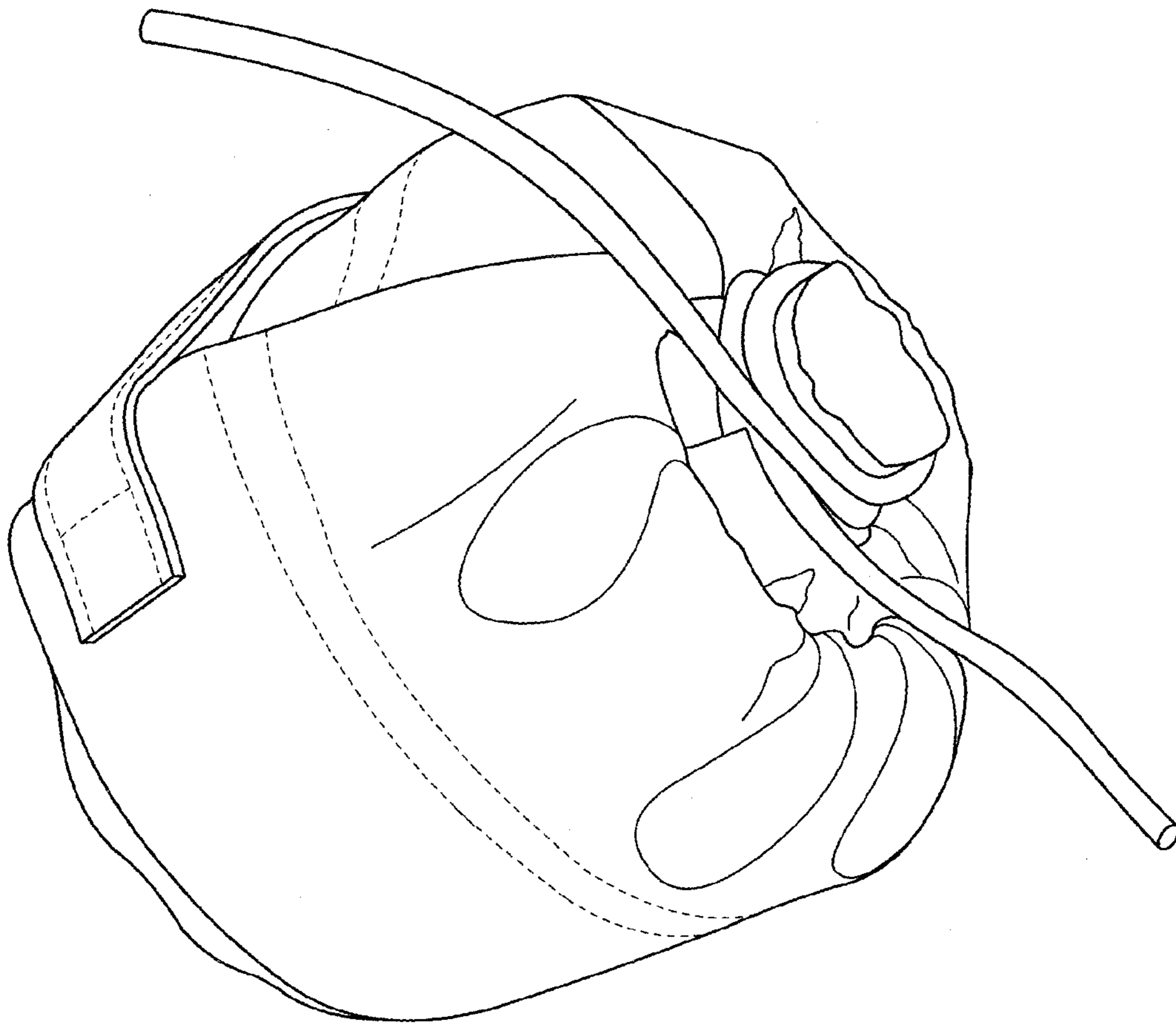


Fig. 5

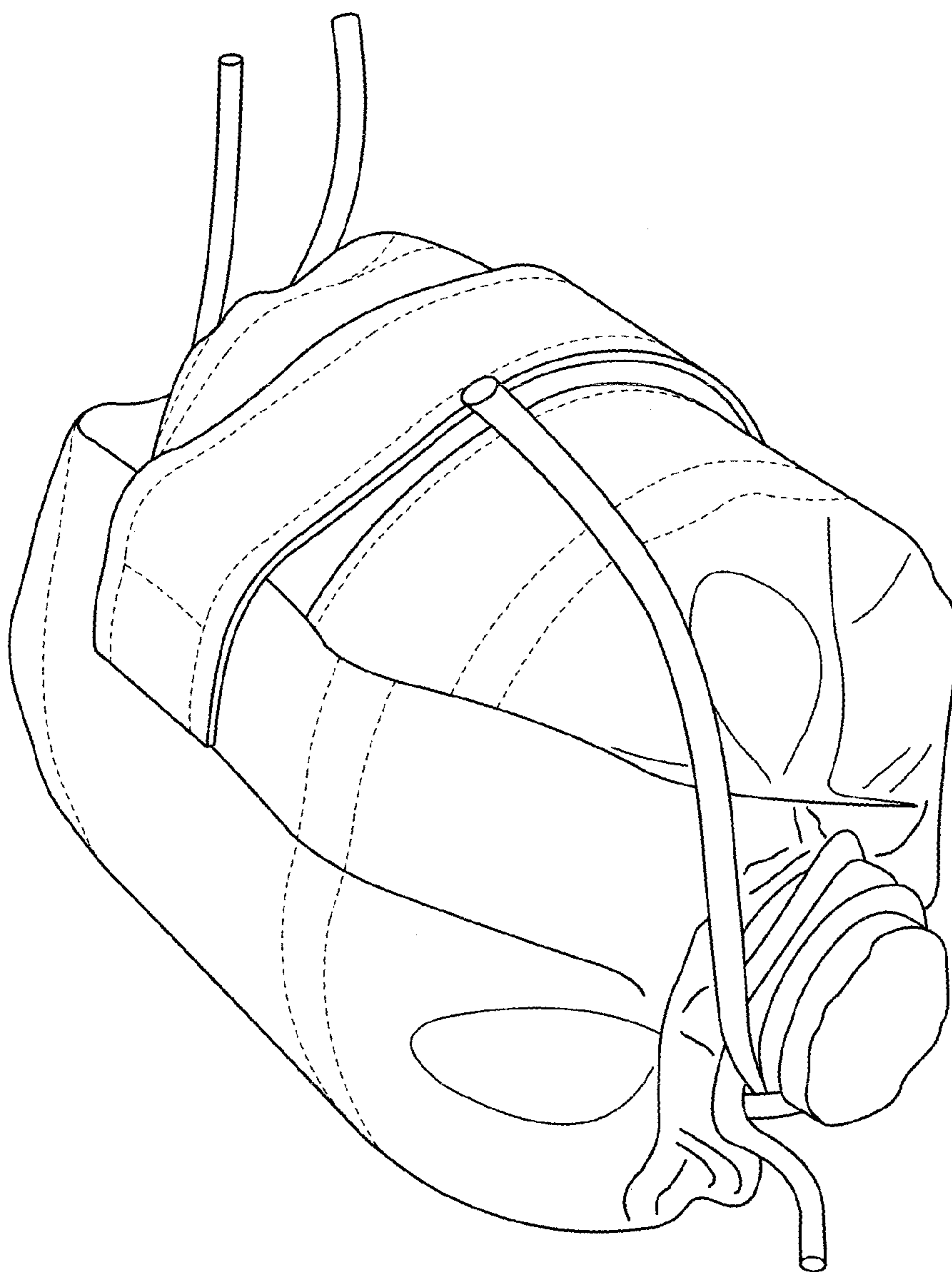


Fig. 6

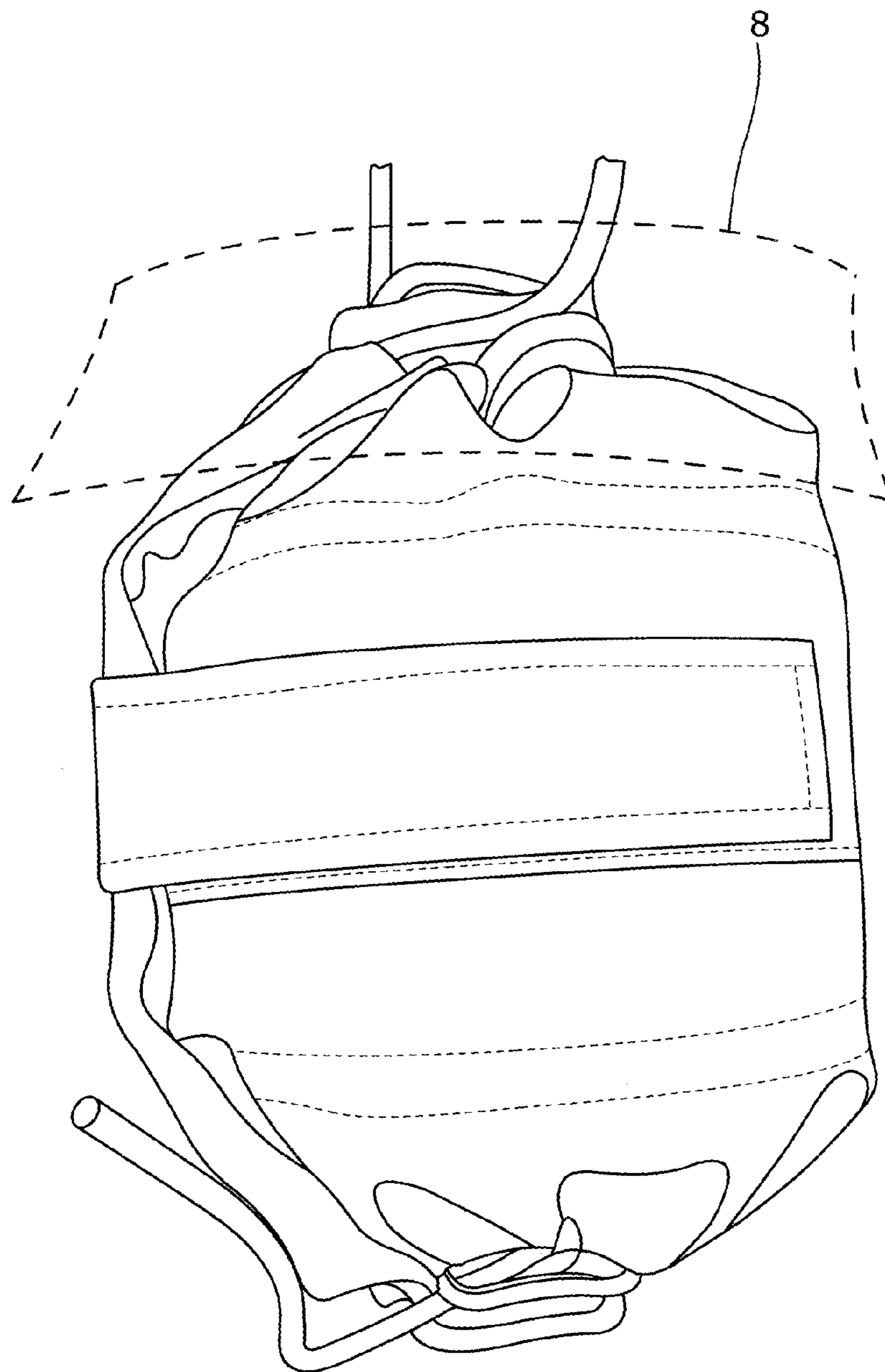


Fig. 7

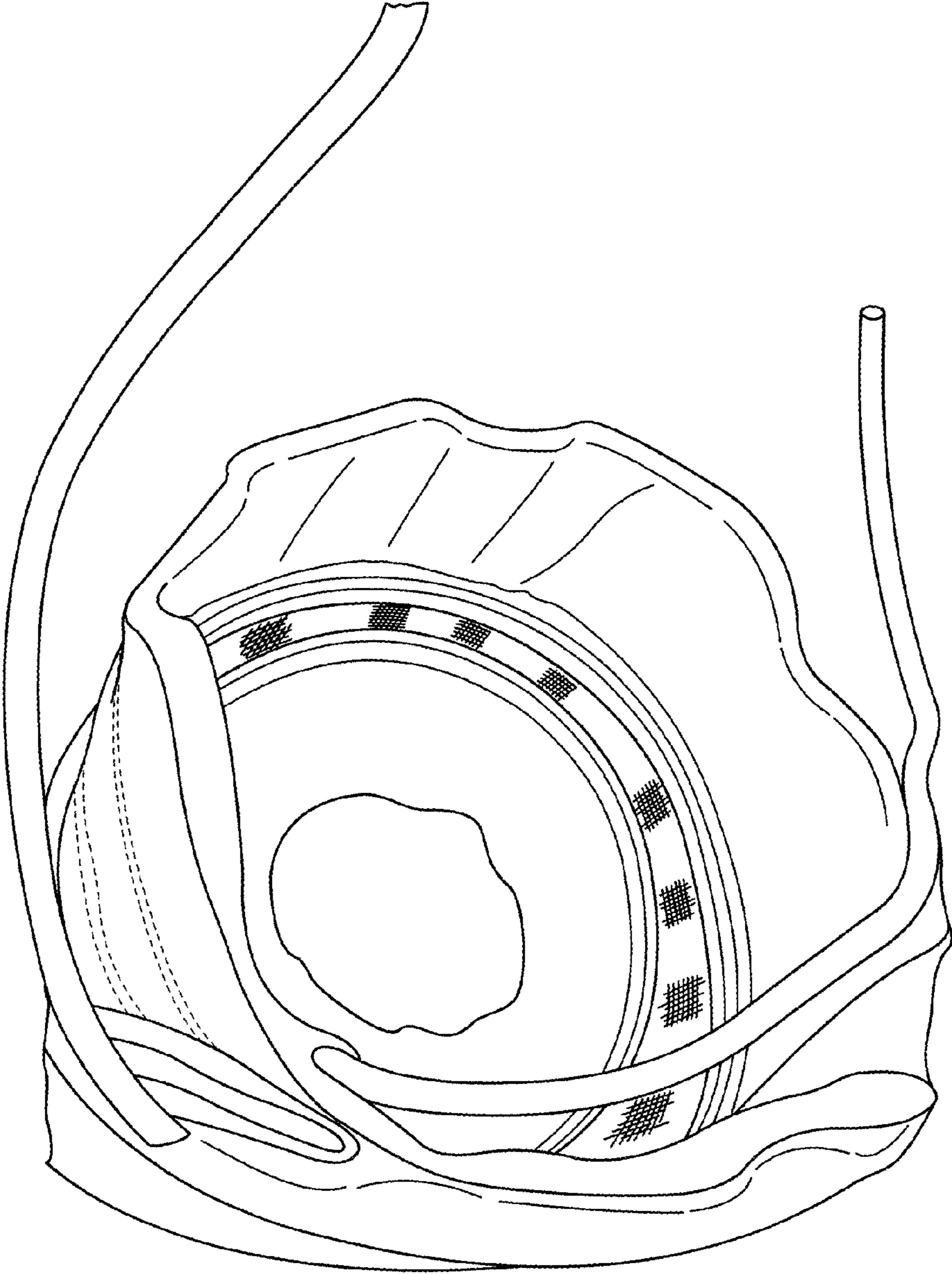


Fig. 8