



US00D744615S

(12) **United States Design Patent**  
**Fulkerson et al.**

(10) **Patent No.:** **US D744,615 S**

(45) **Date of Patent:** **\*\* Dec. 1, 2015**

- (54) **PINCH VALVE**
- (71) Applicant: **Nordson Corporation**, Westlake, OH (US)
- (72) Inventors: **Terrence M. Fulkerson**, Brunswick Hills, OH (US); **Donna Campbell**, Huron, OH (US)
- (73) Assignee: **NORDSON CORPORATION**, Westlake, OH (US)

- D276,299 S 11/1984 Reardon
- D281,482 S 11/1985 Suzuki
- D318,412 S 7/1991 Williams
- D348,922 S 7/1994 Thrasher et al.
- D355,584 S 2/1995 Clivio
- D368,299 S 3/1996 Ratledge
- D403,049 S 12/1998 Ohtani et al.
- D424,167 S 5/2000 Yuen et al.
- D436,520 S 1/2001 Bulman
- 6,179,221 B1 1/2001 Goldberg et al.
- D443,811 S 6/2001 Tisbo

(Continued)

(\*\*) Term: **14 Years**

(21) Appl. No.: **29/520,816**

(22) Filed: **Mar. 18, 2015**

**Related U.S. Application Data**

(62) Division of application No. 29/448,979, filed on Mar. 14, 2013, now Pat. No. Des. 726,873.

(51) **LOC (10) Cl.** ..... **23-01**

(52) **U.S. Cl.**  
USPC ..... **D23/233**

(58) **Field of Classification Search**  
USPC ..... D23/233-237, 244-249; D7/398;  
D34/39; 239/337, 349, 353, 569;  
118/300, 308; 137/209; 417/390, 559;  
D8/358, 359; D3/24; D14/484  
CPC ..... F16K 7/06; F16K 7/065; F16K 7/07;  
F16K 7/04; F16K 1/00; F16K 15/00; F16K  
25/00; A61M 39/284  
See application file for complete search history.

(56) **References Cited**

**U.S. PATENT DOCUMENTS**

- D94,288 S 1/1935 Teahen
- D244,943 S 7/1977 Balmer, Jr.
- 4,372,528 A 2/1983 Raftis

**OTHER PUBLICATIONS**

Orbit Website Search, Oct. 28, 2014, 1/1 Designs-Questel Pinch Valve, shown in pp. 1-16.

*Primary Examiner* — Cynthia Ramirez

*Assistant Examiner* — Gino Colan

(74) *Attorney, Agent, or Firm* — Baker & Hostetler LLP

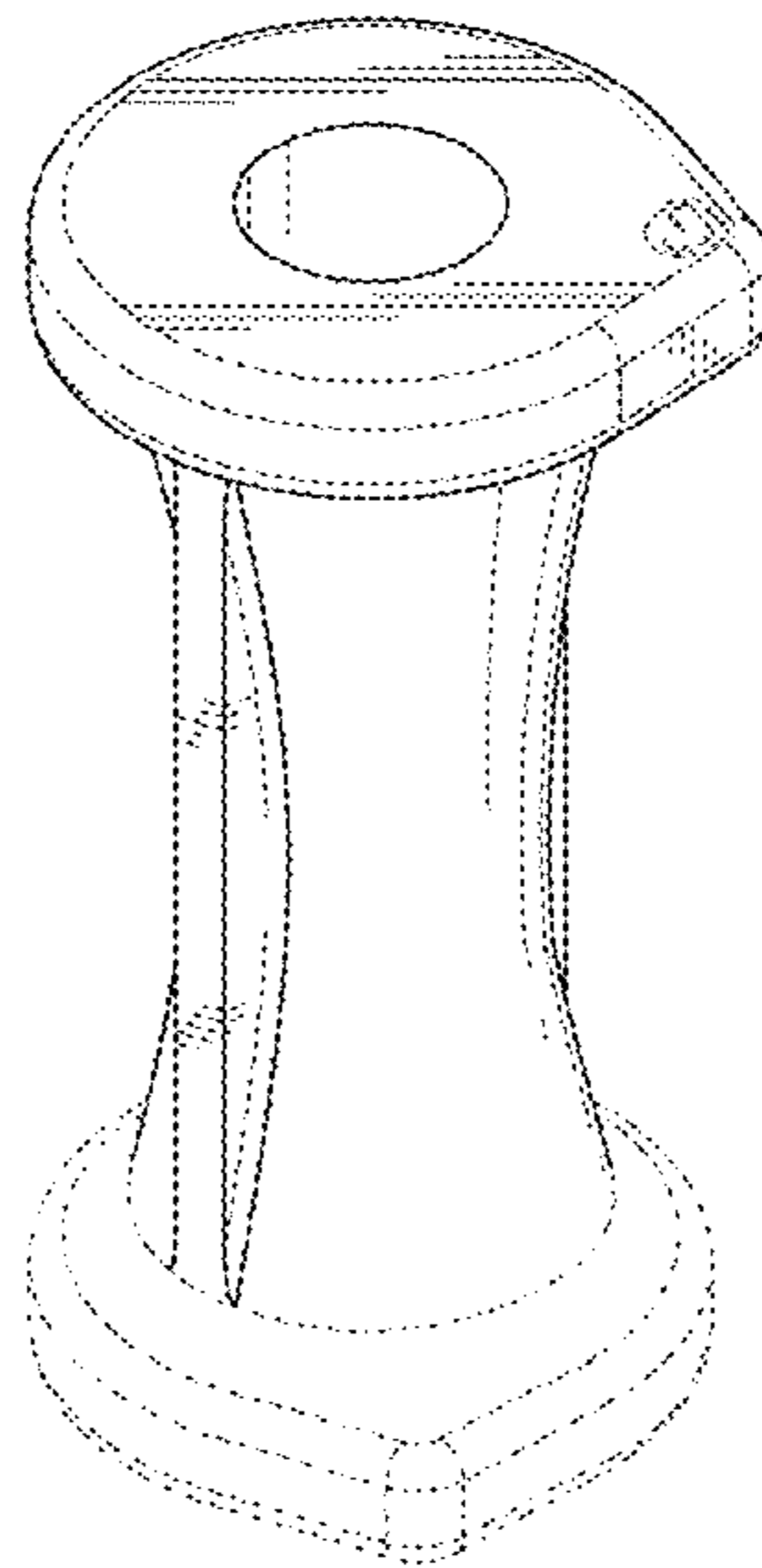
(57) **CLAIM**

The ornamental design for a pinch valve, as shown and described.

**DESCRIPTION**

FIG. 1 is a perspective view of a pinch valve of the new design;  
FIG. 2 is a front elevational view of the pinch valve of FIG. 1;  
FIG. 3 is a right side elevational view of the pinch valve of FIG. 1;  
FIG. 4 is a left side elevational view of the pinch valve of FIG. 1;  
FIG. 5 is a rear elevational view of the pinch valve of FIG. 1;  
FIG. 6 is a top plan view of the pinch valve of FIG. 1; and,  
FIG. 7 is a bottom plan view of the pinch valve of FIG. 1.  
The broken lines in the drawings are included for the purpose of illustrating elements of the pinch valve and form no part of the claimed design.

**1 Claim, 4 Drawing Sheets**



(56)

**References Cited**

U.S. PATENT DOCUMENTS

6,278,061 B1 8/2001 Daoud  
6,619,563 B2 9/2003 van der Steur  
D486,061 S 2/2004 Mullins et al.  
6,705,545 B1 3/2004 Sroka et al.  
D504,307 S 4/2005 Dayan  
D504,806 S 5/2005 Basaran et al.  
D508,199 S 8/2005 Winig et al.  
D523,251 S 6/2006 Parpala  
D524,911 S 7/2006 Thompson et al.

D537,709 S 3/2007 Thorner  
D545,561 S 7/2007 Vandecasteele  
D546,920 S 7/2007 Fulkerson  
D557,118 S 12/2007 Linginfelter  
D563,207 S 3/2008 Kawazoe  
D583,651 S 12/2008 Kawazoe  
D597,629 S 8/2009 Fulkerson  
D603,480 S 11/2009 Ibanez Sapina  
D617,421 S 6/2010 Fulkerson  
D692,100 S 10/2013 Freeth  
D726,873 S 4/2015 Fulkerson et al.  
2002/0139301 A1 10/2002 Attinoto et al.  
2005/0158187 A1 7/2005 Fulkerson et al.

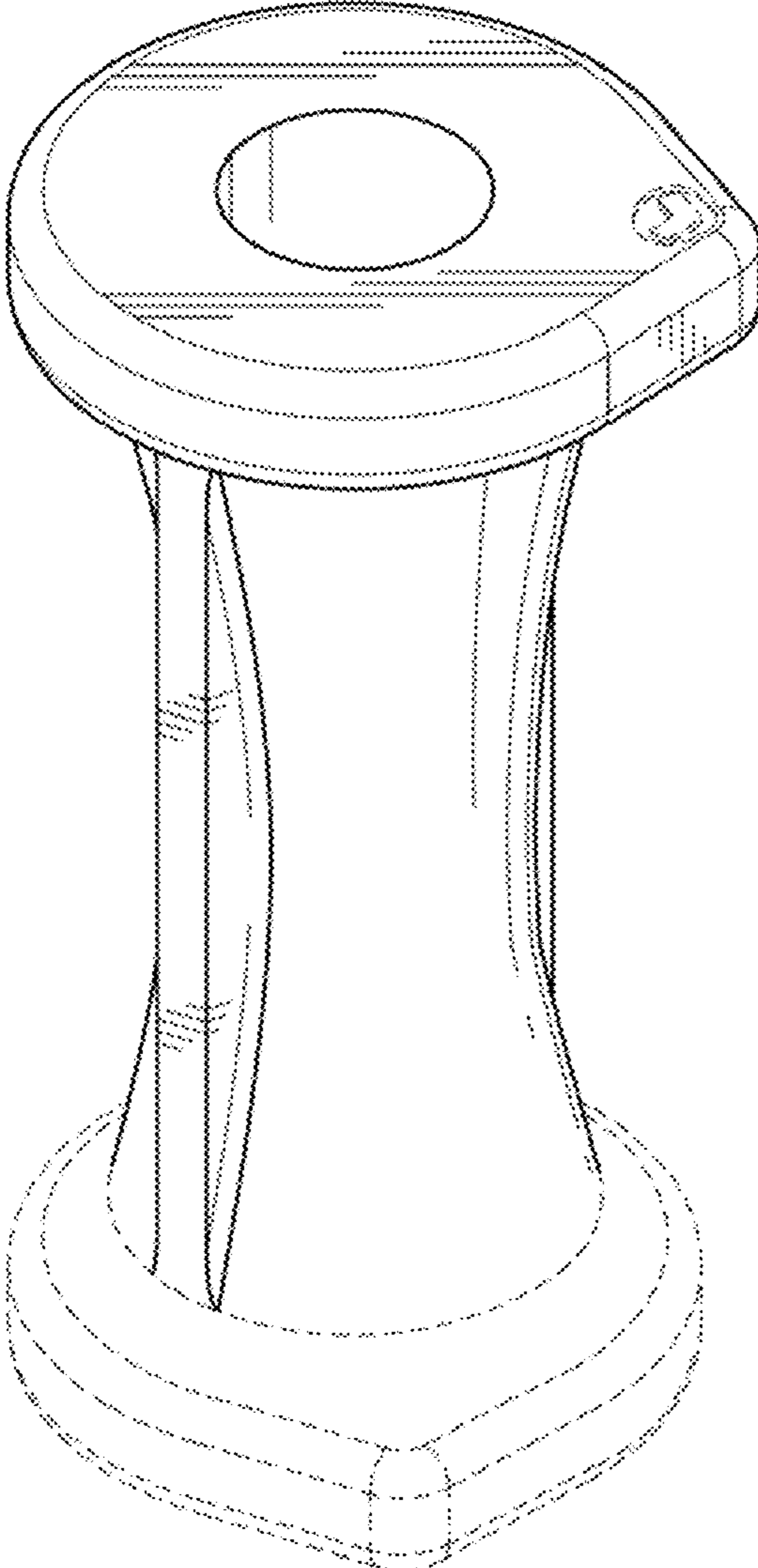


FIG. 1

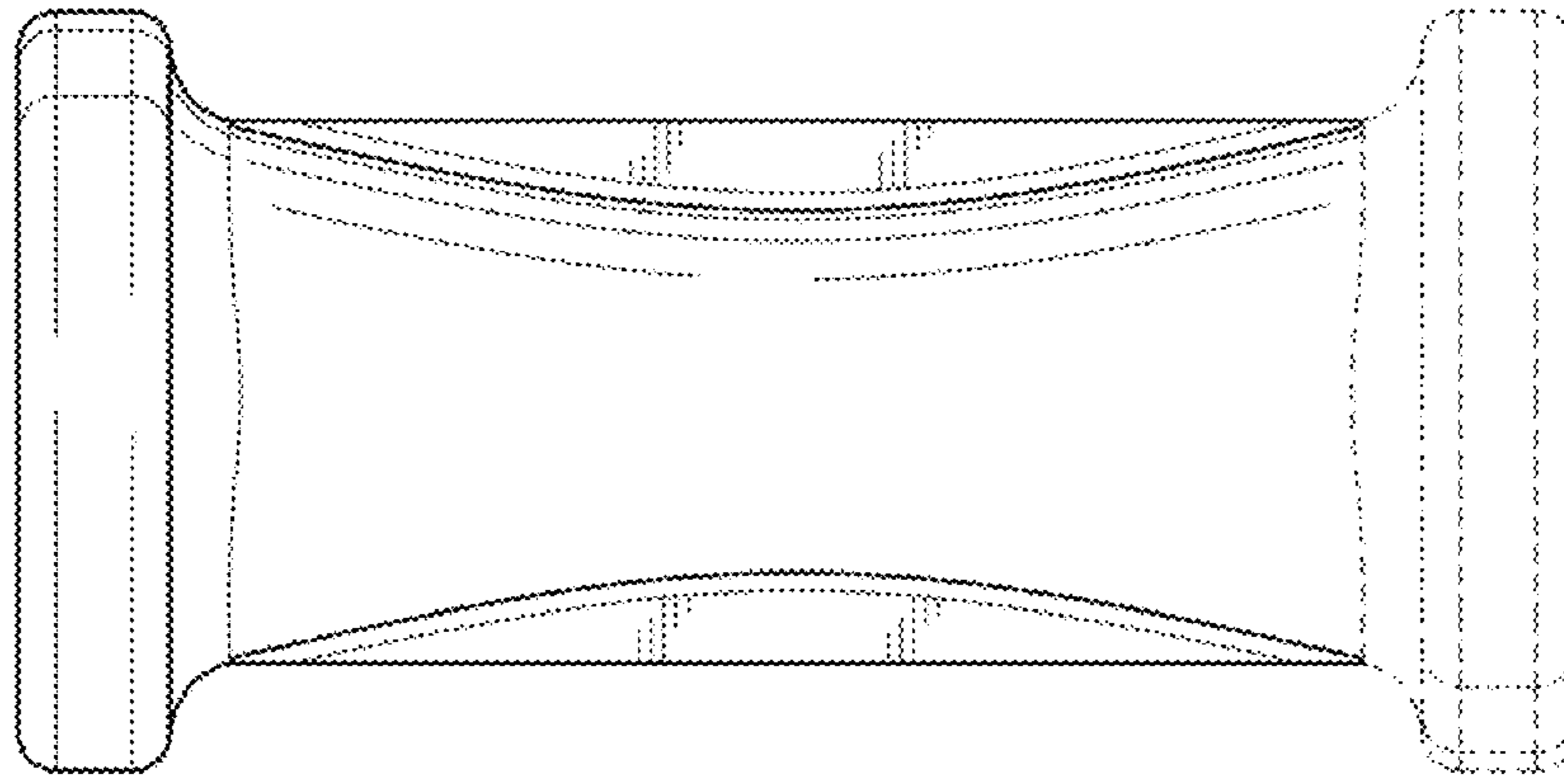


FIG. 3

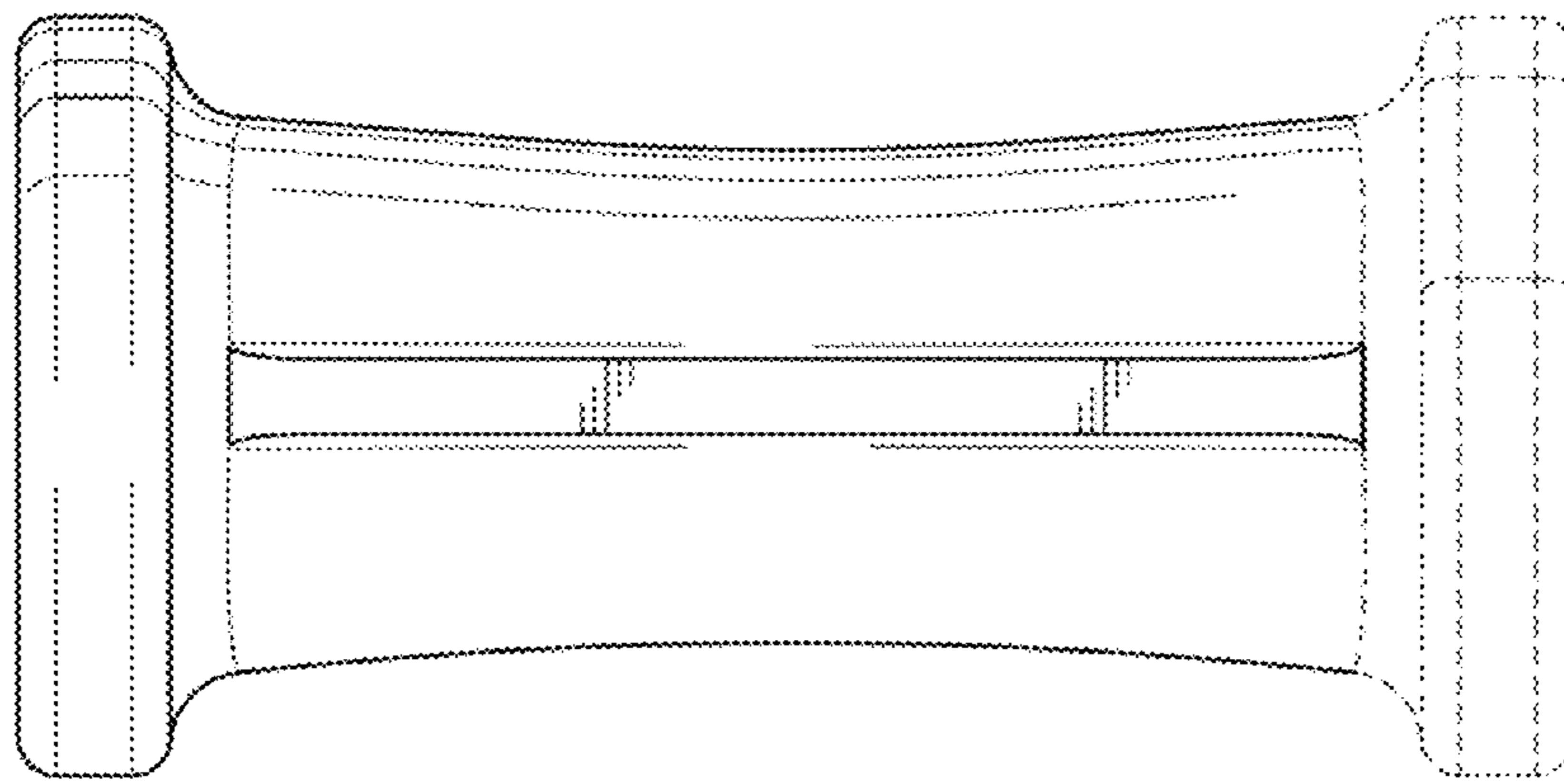


FIG. 2

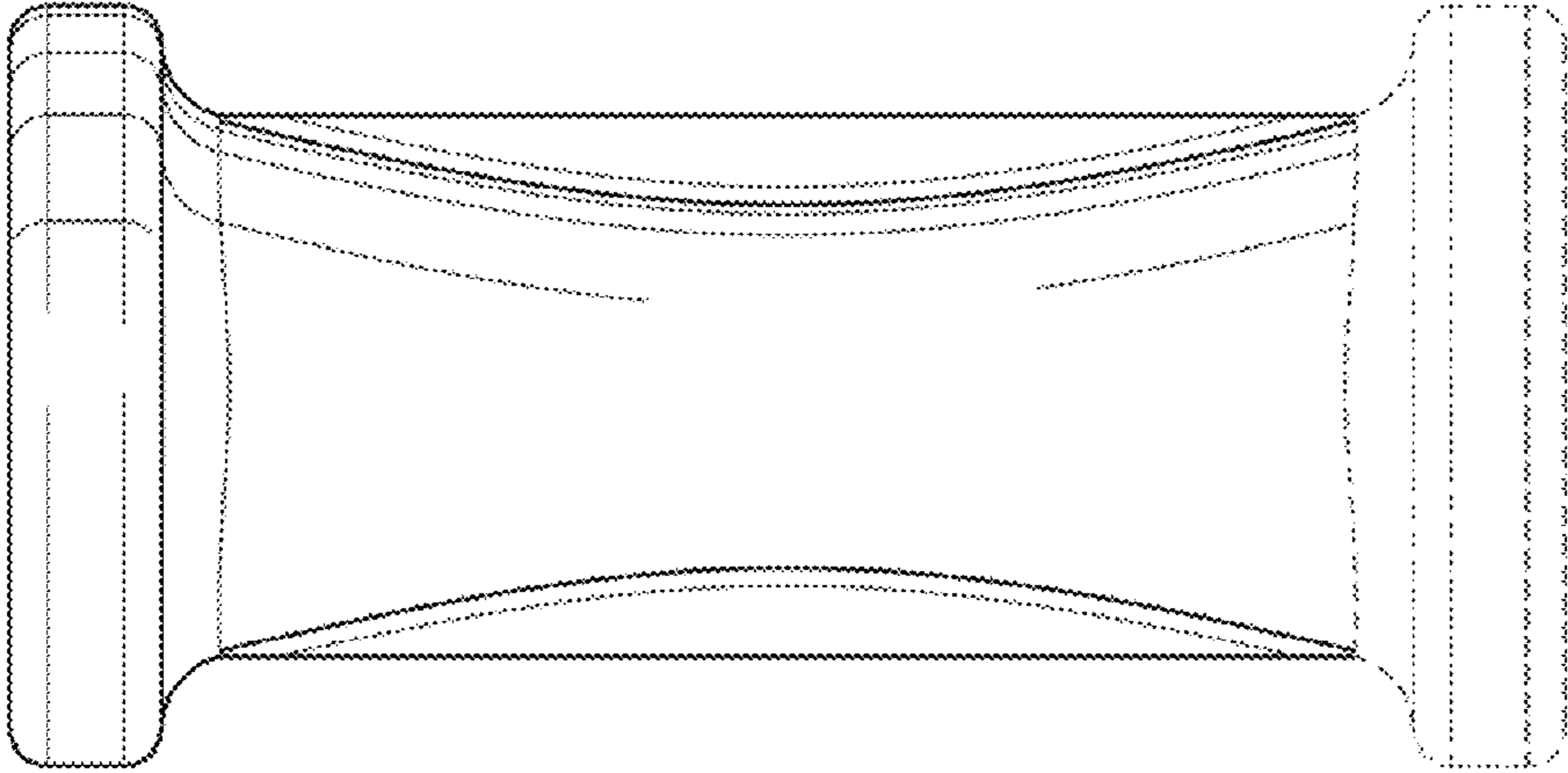


FIG. 4

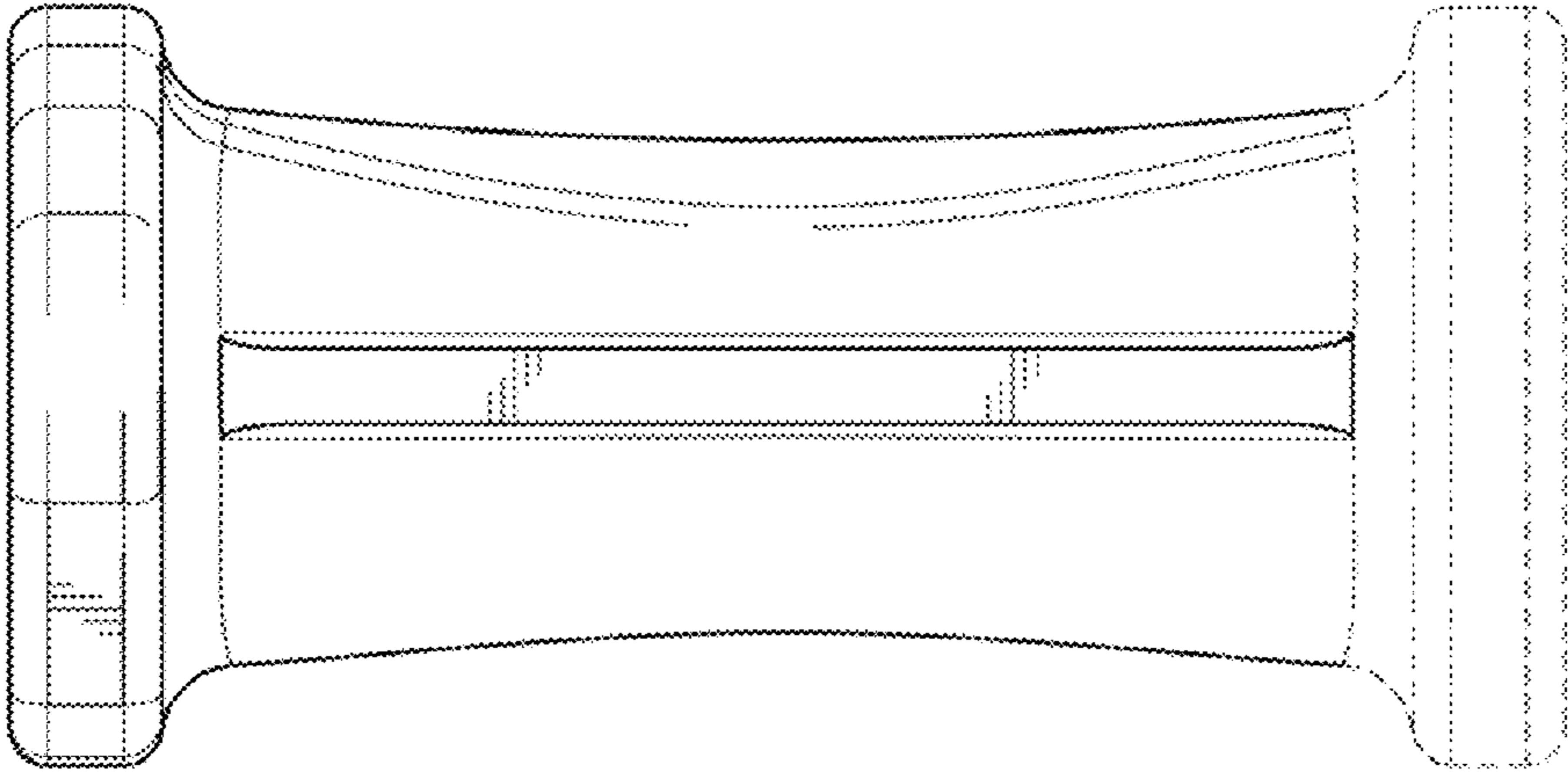


FIG. 5



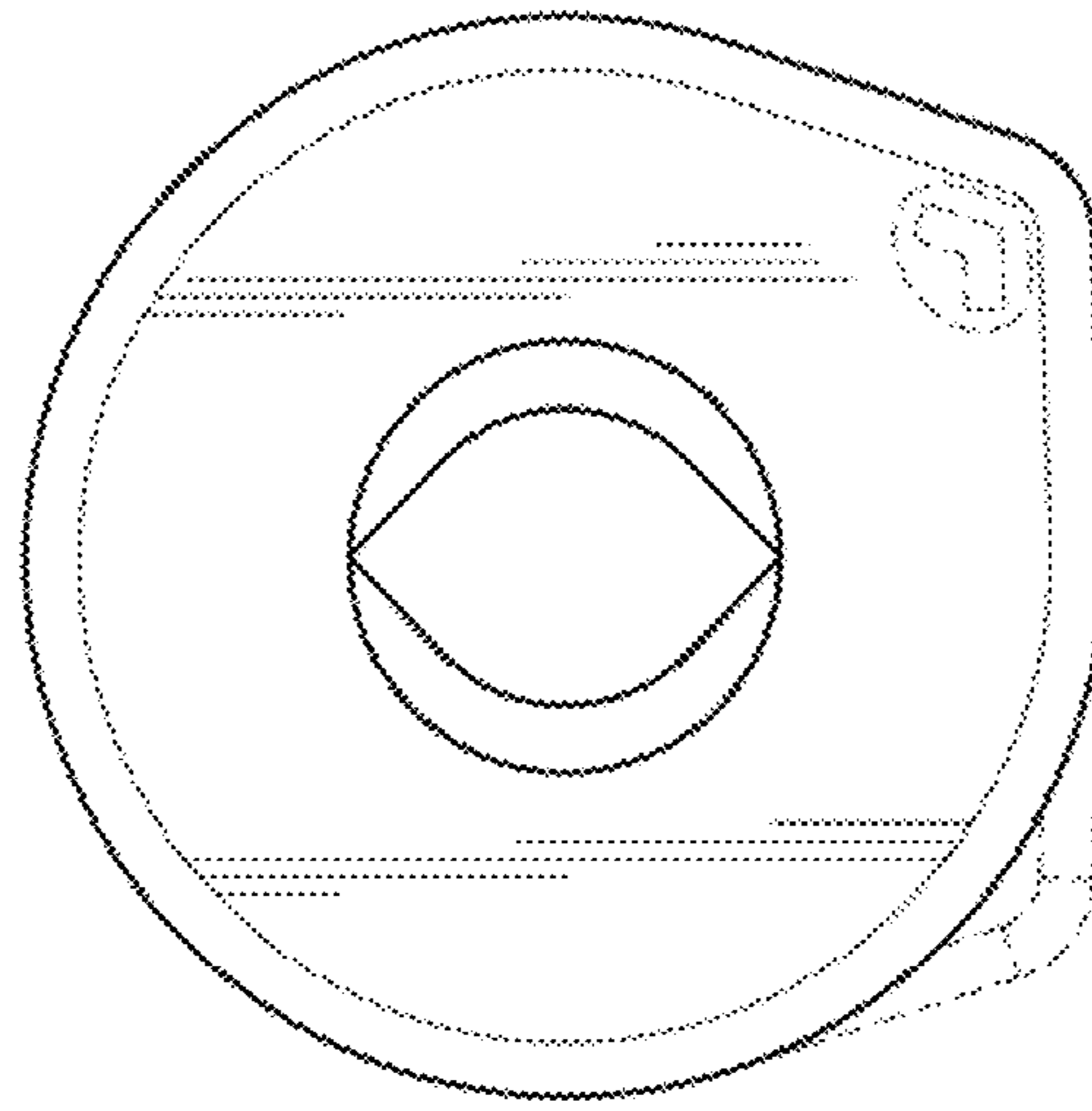


FIG. 6

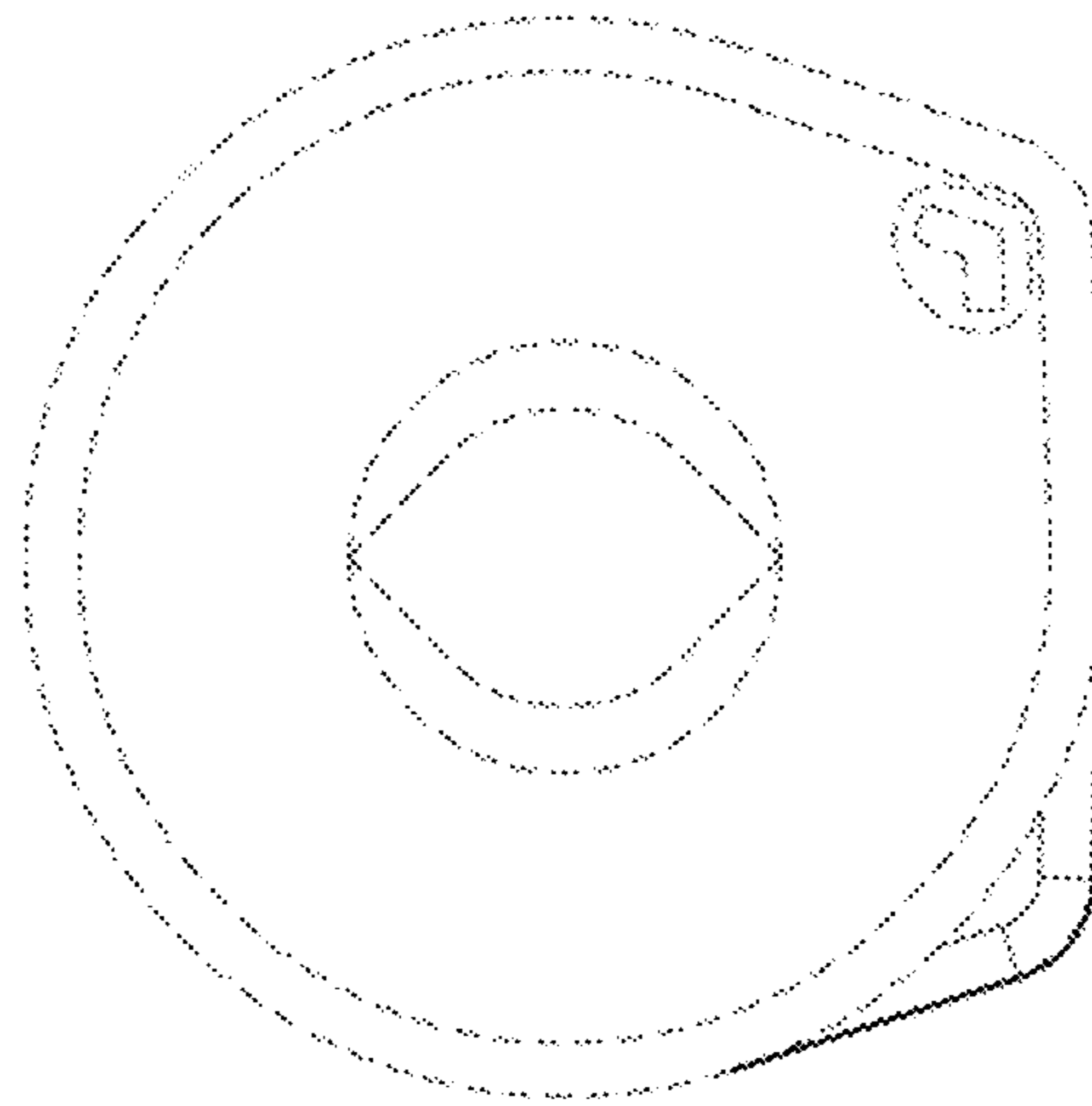


FIG. 7