



US00D744613S

(12) **United States Design Patent**  
**Crawford**

(10) **Patent No.:** **US D744,613 S**  
(45) **Date of Patent:** **\*\* Dec. 1, 2015**

- (54) **PORTABLE SPRAY SYSTEM**
- (71) Applicant: **OutSol Inc.**, Oceanside, CA (US)
- (72) Inventor: **Christopher Jackson Crawford**,  
Oceanside, CA (US)
- (73) Assignee: **OutSol, LLC**, Oceanside, CA (US)
- (\*\*) Term: **14 Years**
- (21) Appl. No.: **29/500,152**
- (22) Filed: **Aug. 21, 2014**
- (51) **LOC (10) Cl.** ..... **23-01**
- (52) **U.S. Cl.**  
USPC ..... **D23/225**
- (58) **Field of Classification Search**  
USPC ..... D23/213, 225, 283; 4/602, 603;  
239/152-154; 222/465.1; D32/53  
See application file for complete search history.

				222/184
D607,968	S *	1/2010	Wojciechowski .....	D23/213
D639,388	S *	6/2011	Plantz .....	D23/225
D647,174	S *	10/2011	Henderson .....	D23/225
8,141,754	B2 *	3/2012	Conner .....	B05B 9/007
				222/325
D670,788	S *	11/2012	Plantz .....	D23/225
D683,814	S *	6/2013	Woodling .....	D23/225
D698,889	S *	2/2014	Zabalo Ondarra .....	D23/202
8,662,413	B2 *	3/2014	Rotondo .....	B05B 9/0861
				239/152
D706,388	S *	6/2014	Abernethy .....	D23/225

\* cited by examiner

*Primary Examiner* — Robin V Webster  
(74) *Attorney, Agent, or Firm* — Todd J. Langford

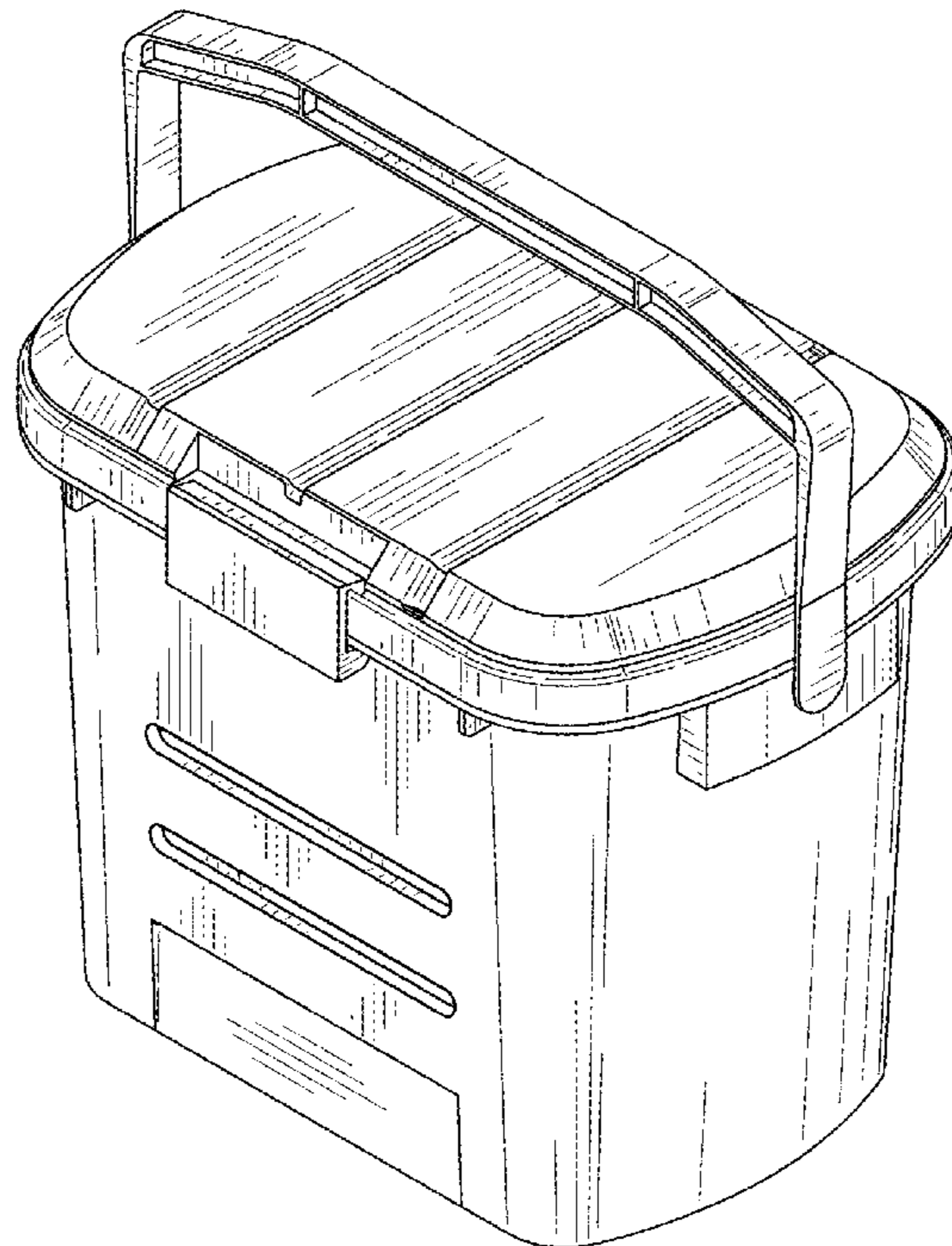
(57) **CLAIM**  
The ornamental design for a portable spray system, as shown and described.

**DESCRIPTION**

FIG. 1 is a perspective view of the portable spray system; FIG. 2 is a front side view; FIG. 3 is a back view; FIG. 4 is a left side view; FIG. 5 is a right side view; FIG. 6 is a top view; and, FIG. 7 is a bottom view thereof. The broken lines showing the bottom of the portable spray system are for the purpose of illustration only and form no part of the claimed design.

**1 Claim, 4 Drawing Sheets**

- (56) **References Cited**  
U.S. PATENT DOCUMENTS
- 5,251,345 A \* 10/1993 Pechner ..... A47K 3/325  
4/603
- D376,907 S \* 12/1996 Simpson ..... D23/283
- 5,911,520 A \* 6/1999 Kenney ..... A47K 3/288  
4/603
- D415,556 S \* 10/1999 Sangha ..... D23/225
- D418,201 S \* 12/1999 Shanklin ..... D23/225
- 6,059,143 A \* 5/2000 Weir ..... A45F 3/00



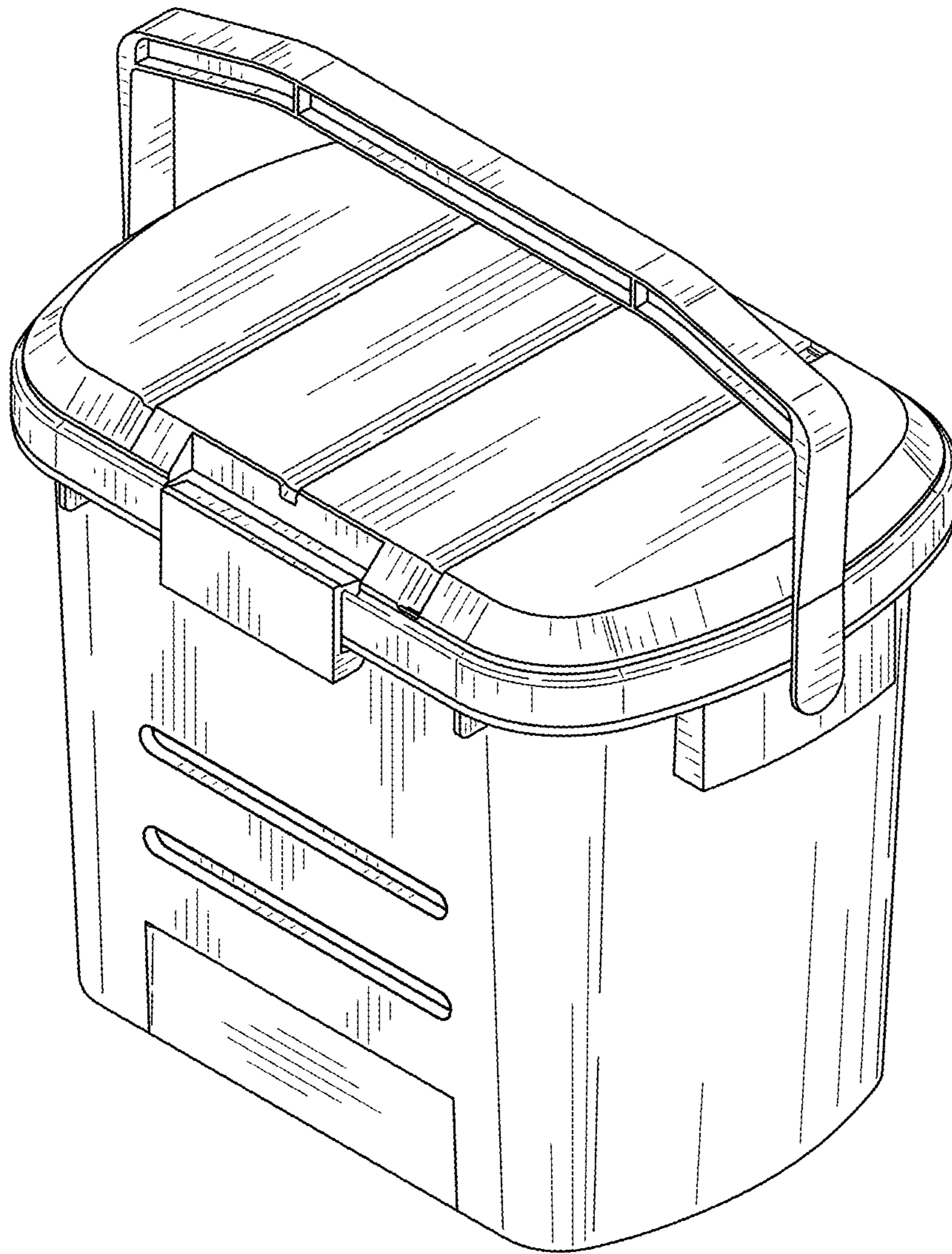


FIG. 1

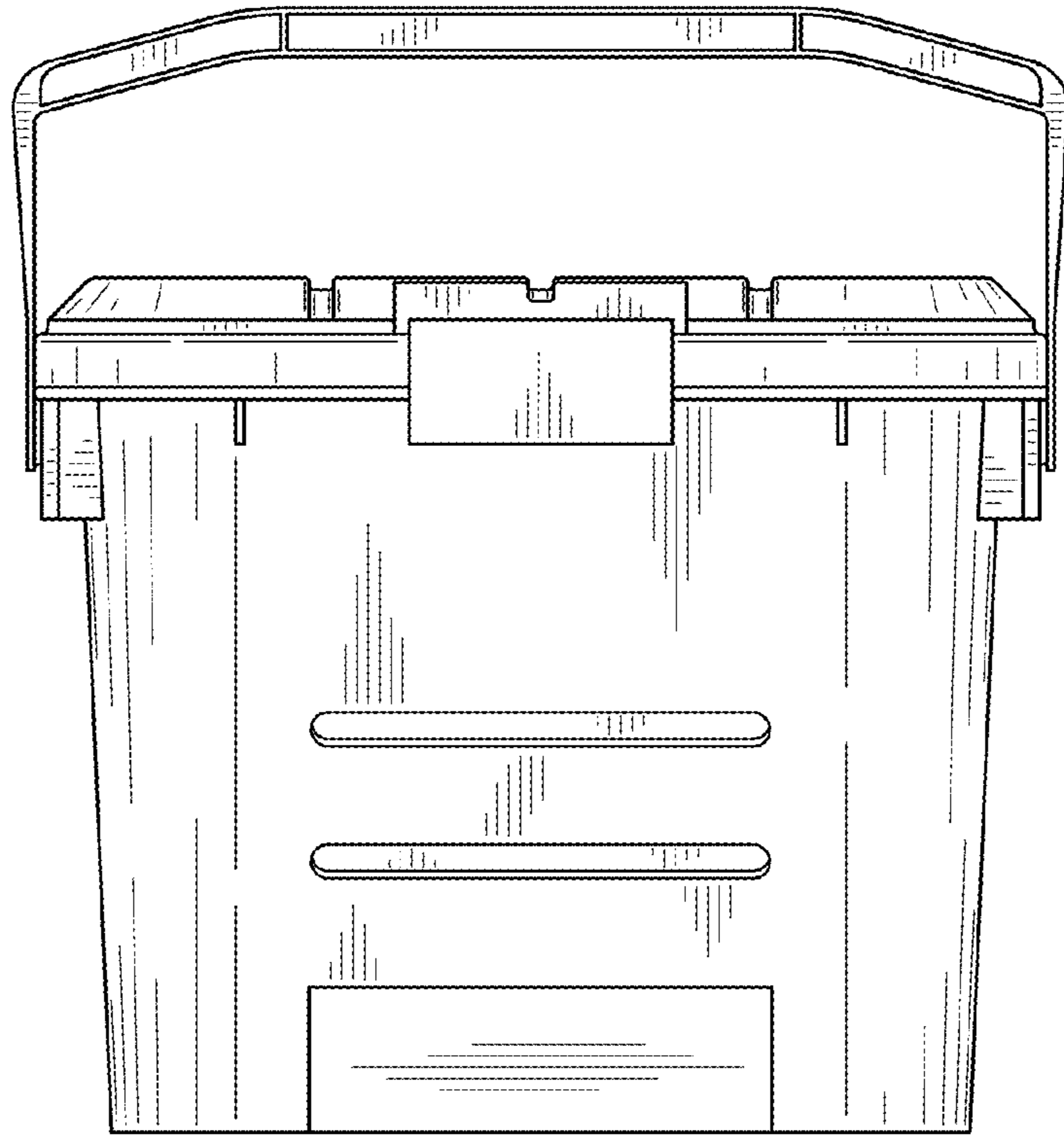


FIG. 2

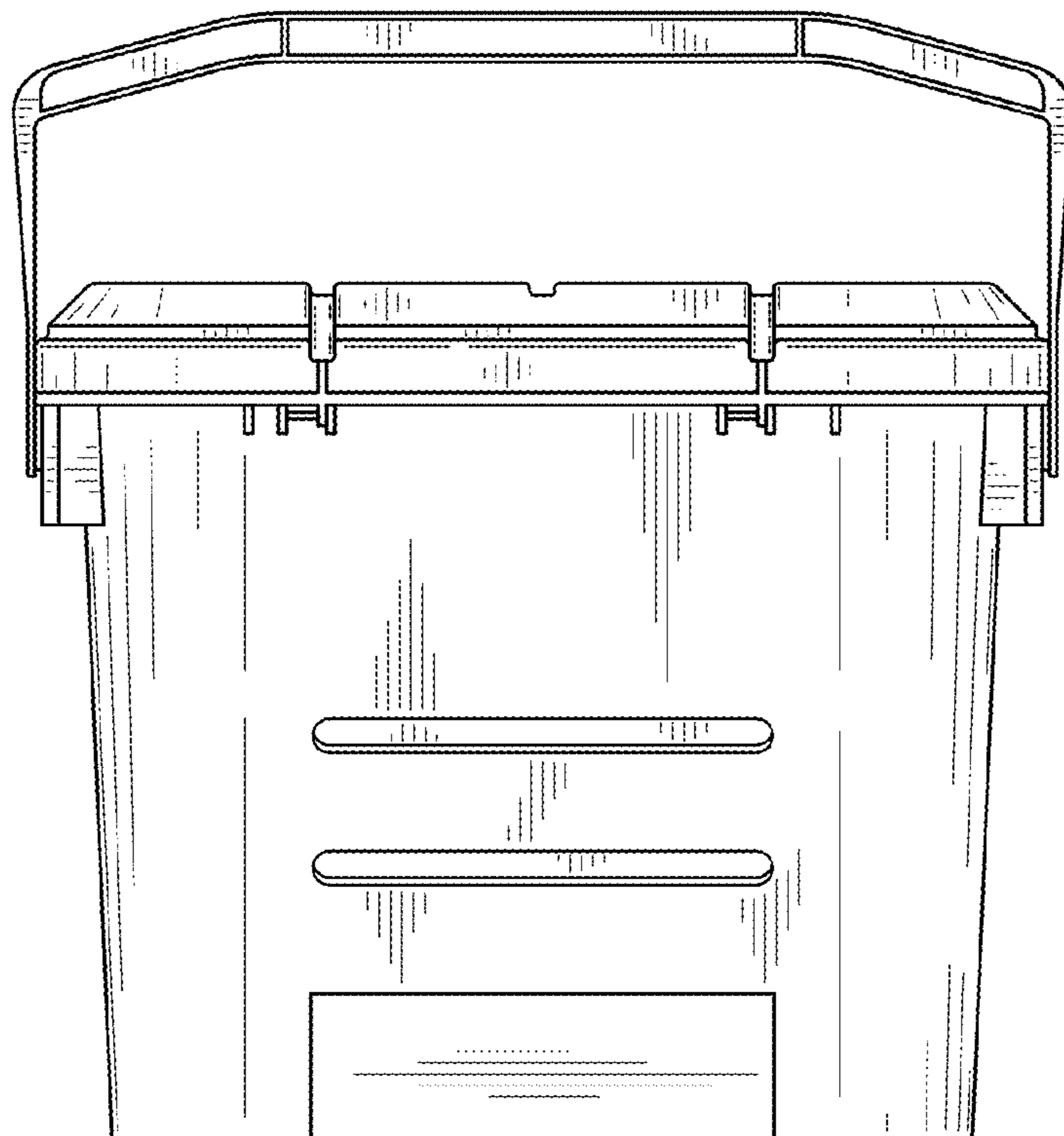


FIG. 3

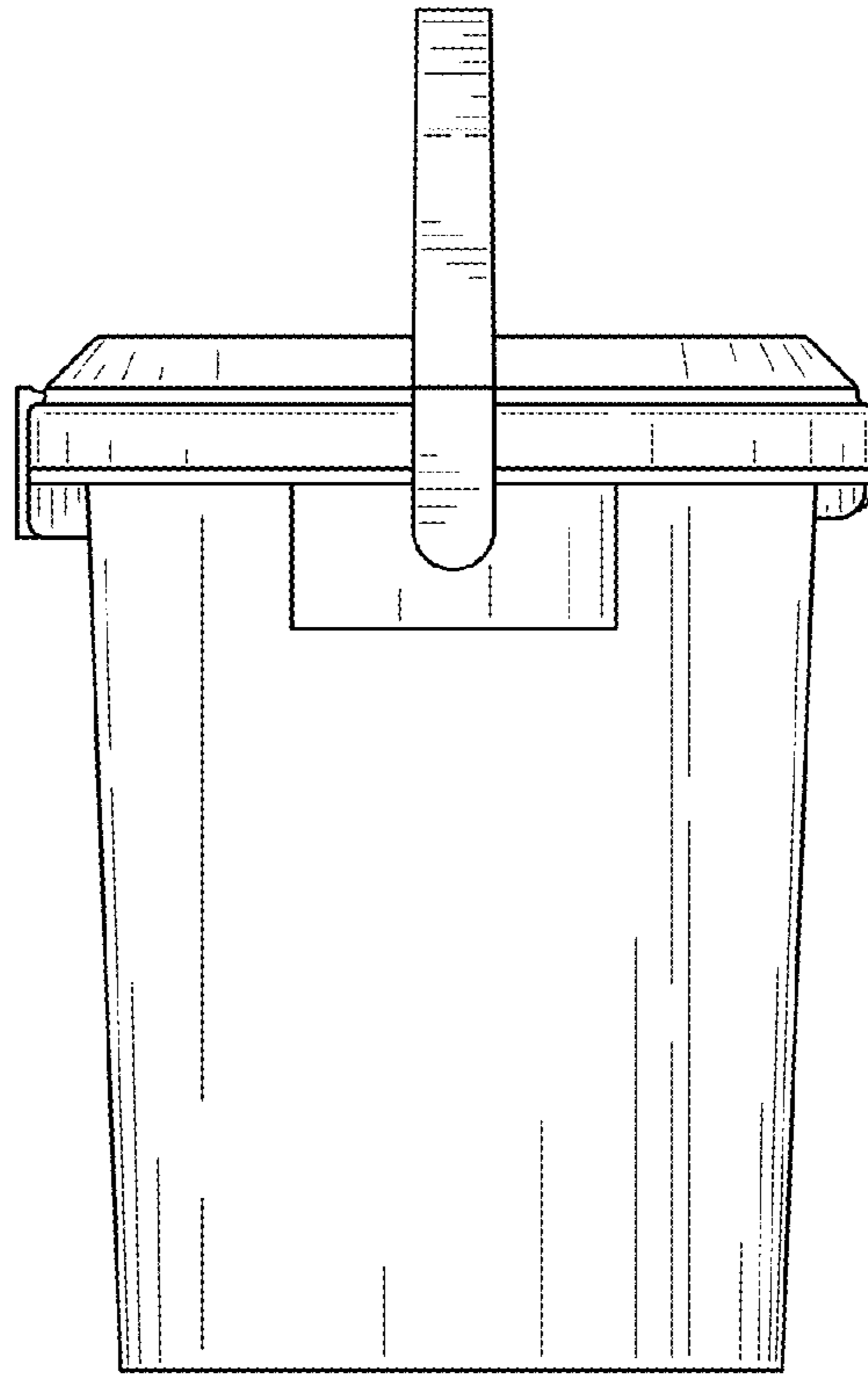


FIG. 4

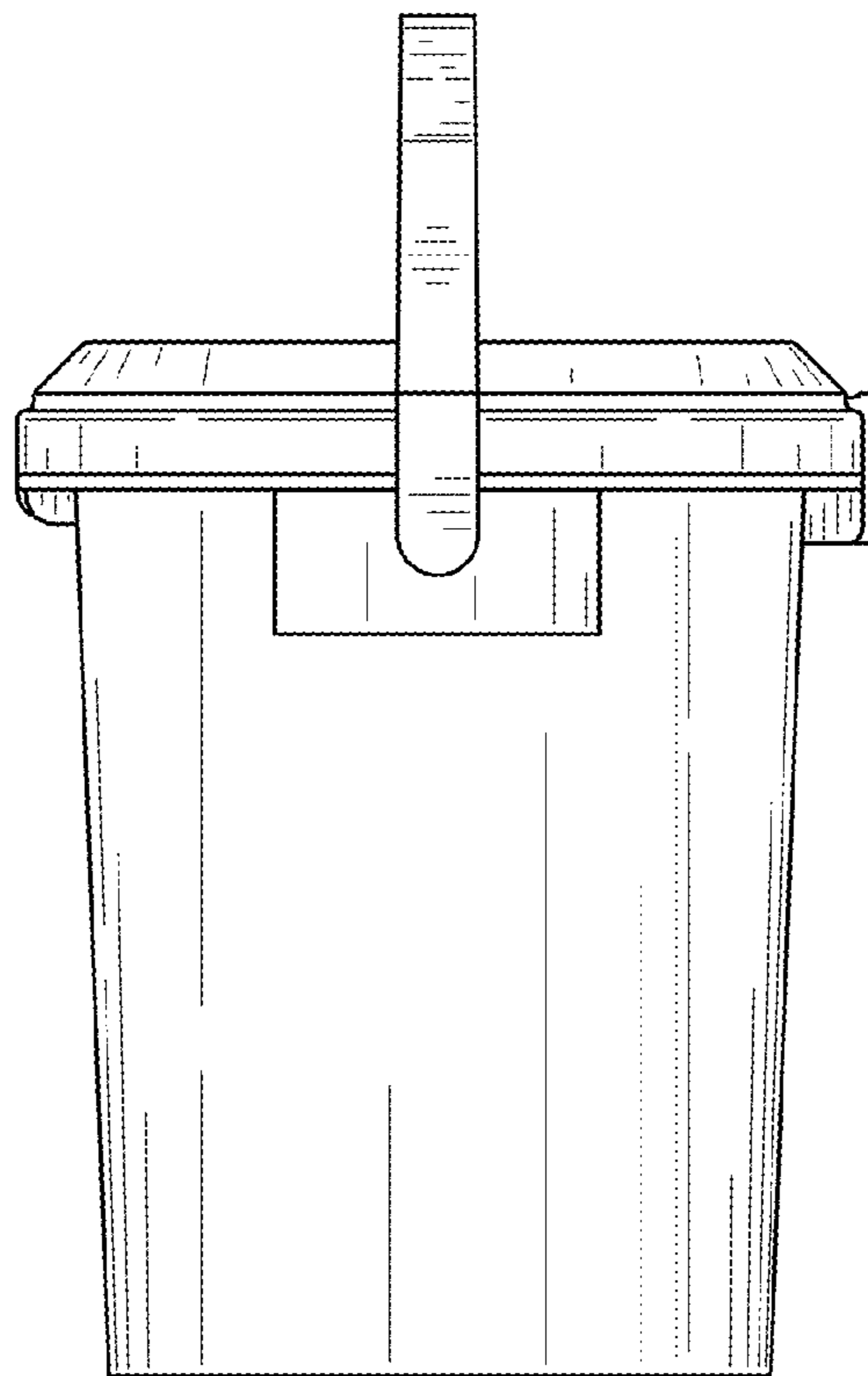


FIG. 5

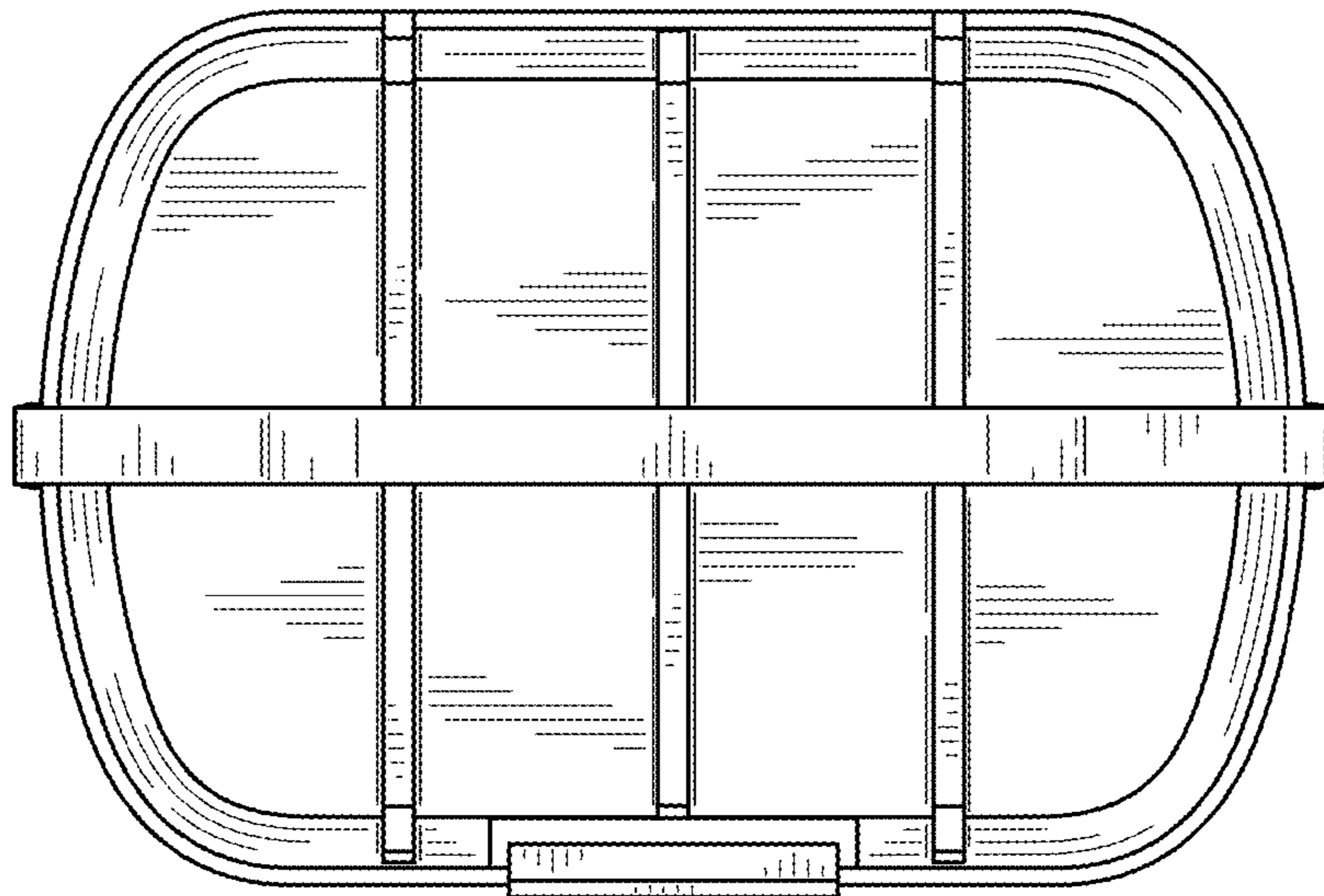


FIG. 6

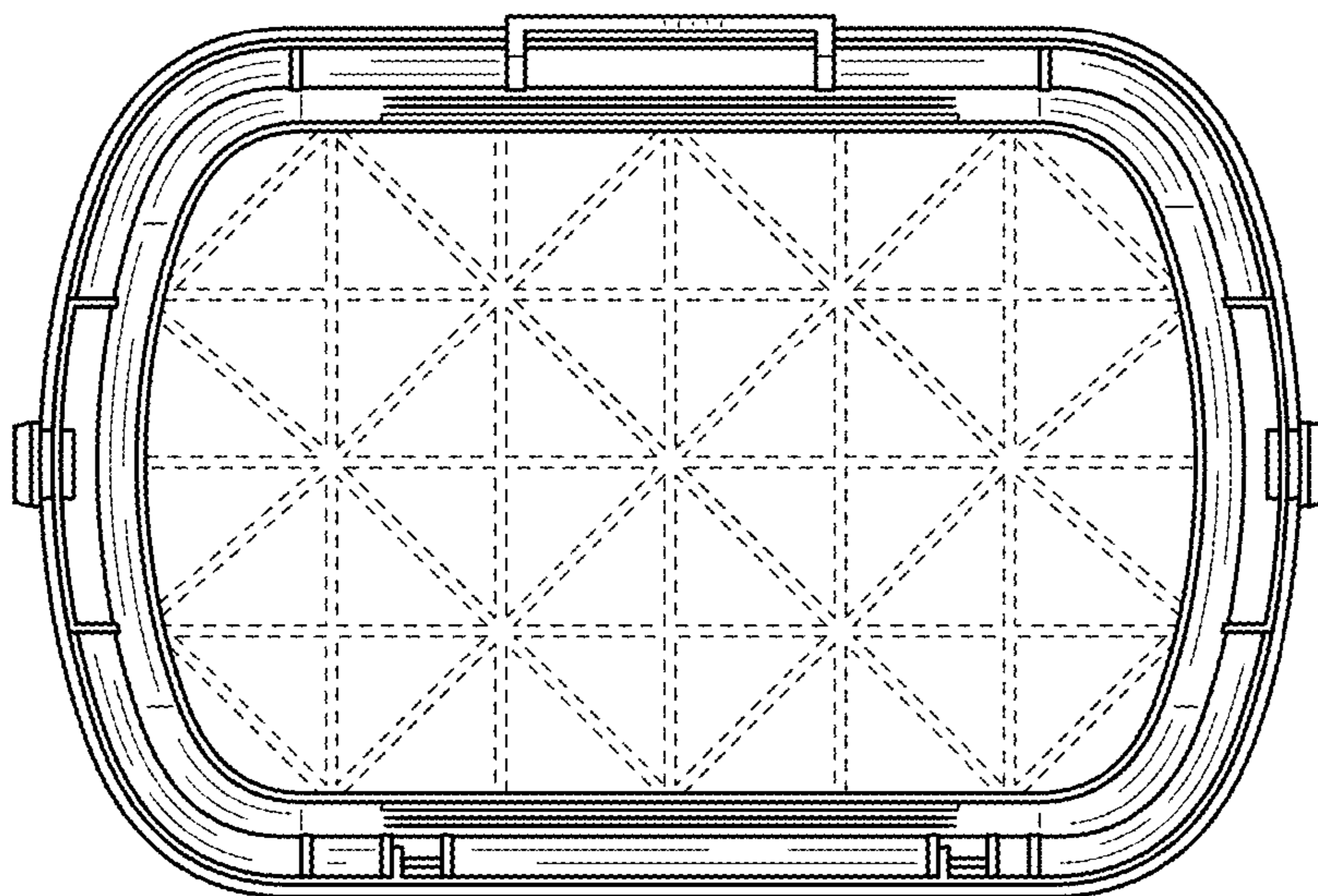


FIG. 7