



US00D744609S

(12) **United States Design Patent**
Hermann

(10) **Patent No.:** **US D744,609 S**
(45) **Date of Patent:** **** Dec. 1, 2015**

- (54) **STORAGE TANK**
- (71) Applicant: **Nexus eWater Pty Ltd**, Fyshwick (AU)
- (72) Inventor: **Andrew James Hermann**, Mawson (AU)
- (73) Assignee: **Nexus eWater Pty Ltd**, Fyshwick (AU)
- (**) Term: **14 Years**
- (21) Appl. No.: **29/502,426**
- (22) Filed: **Sep. 16, 2014**
- (51) **LOC (10) Cl.** **23-01**
- (52) **U.S. Cl.**
USPC **D23/202**
- (58) **Field of Classification Search**
USPC D23/202-205, 211.1; 220/581, 565,
220/586, 587, 4.13, 4.12; 206/0.6
CPC B65D 90/08
See application file for complete search history.

- 5,806,702 A * 9/1998 Sabo E03F 11/00
220/4.12
- 6,227,396 B1 * 5/2001 Small B65D 88/022
220/4.12
- 6,655,541 B2 * 12/2003 Schutz B65D 77/0466
206/597
- D629,864 S * 12/2010 Stack D23/202
- 7,854,338 B2 * 12/2010 Graf B29C 65/02
220/4.05
- D647,166 S * 10/2011 Kimball D23/202

* cited by examiner

Primary Examiner — Robin V Webster

(74) *Attorney, Agent, or Firm* — Finnegan, Henderson, Farabow, Garrett & Dunner LLP.

(57) **CLAIM**

The ornamental design for a storage tank, as shown and described.

DESCRIPTION

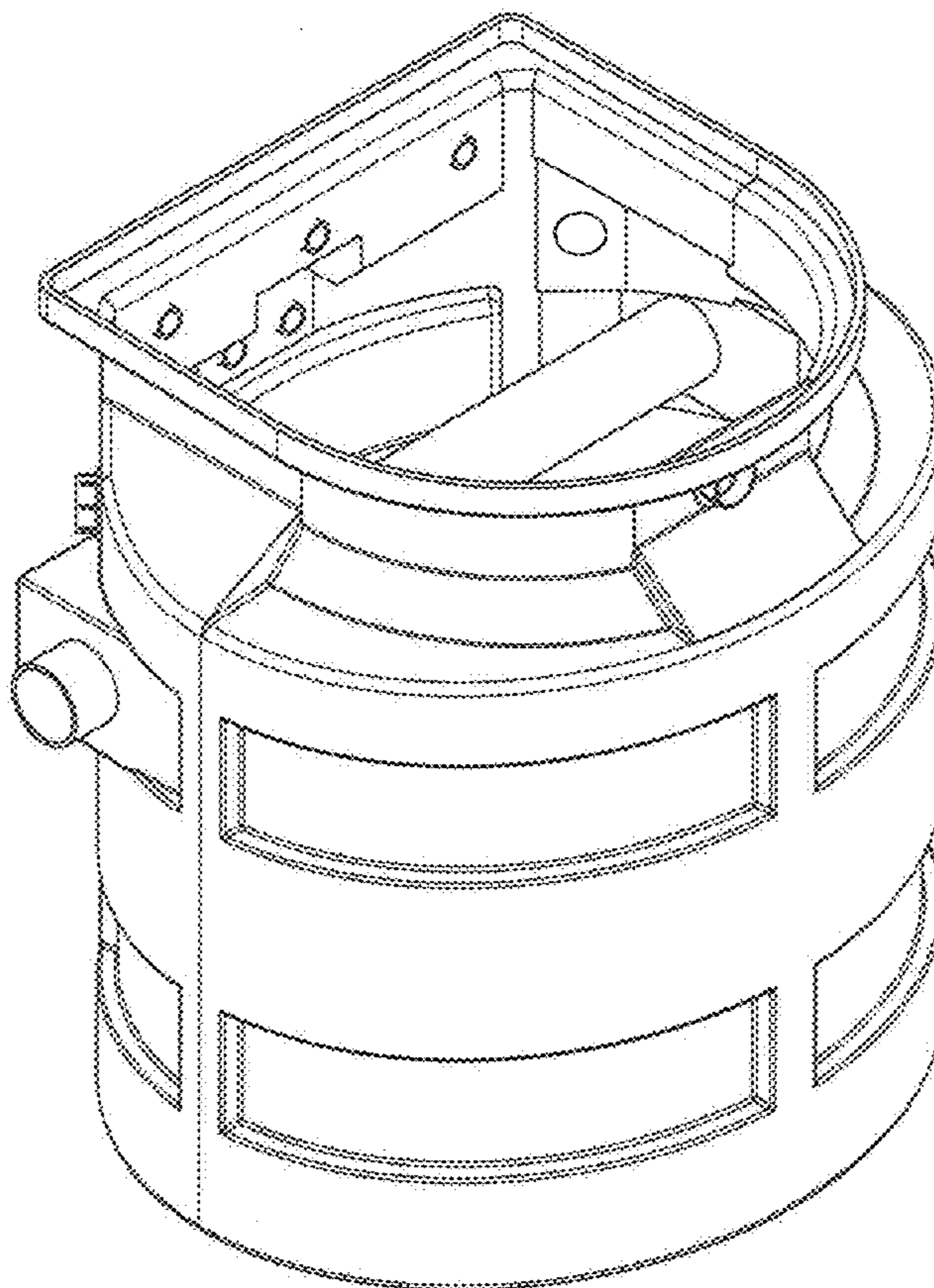
FIG. 1 is a perspective view of a storage tank;
FIG. 2 is a plan view of the storage tank;
FIG. 3 is a bottom view of the storage tank;
FIG. 4 is a front view of the storage tank;
FIG. 5 is a rear view of the storage tank;
FIG. 6 is a side view, from one side, of the storage tank; and,
FIG. 7 is a side view, from the other side, of the storage tank.

(56) **References Cited**

U.S. PATENT DOCUMENTS

- 3,990,600 A * 11/1976 Rossitto B65D 88/08
220/565
- 4,112,644 A * 9/1978 Allen B65D 90/08
156/69

1 Claim, 7 Drawing Sheets



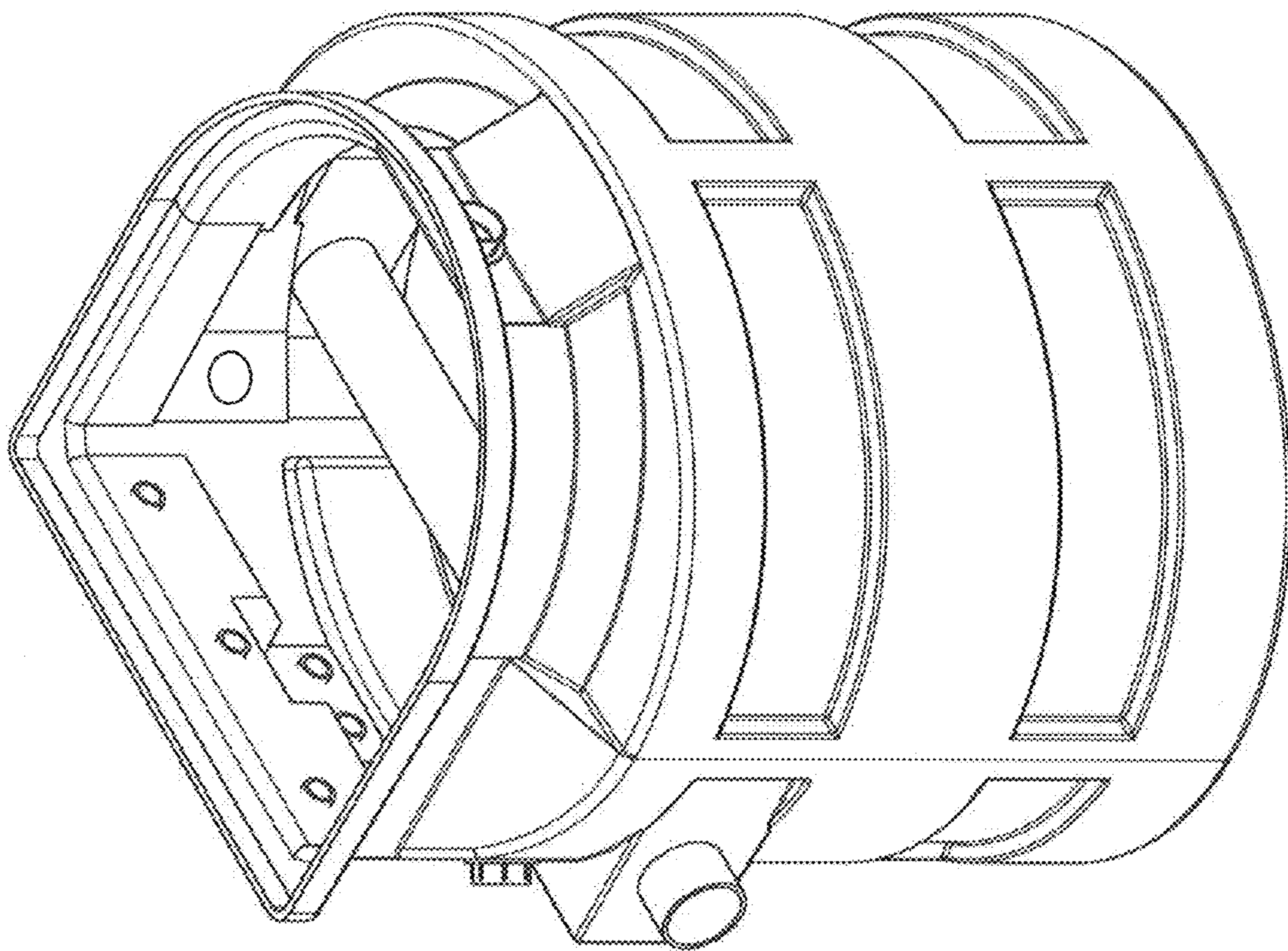


FIG. 1

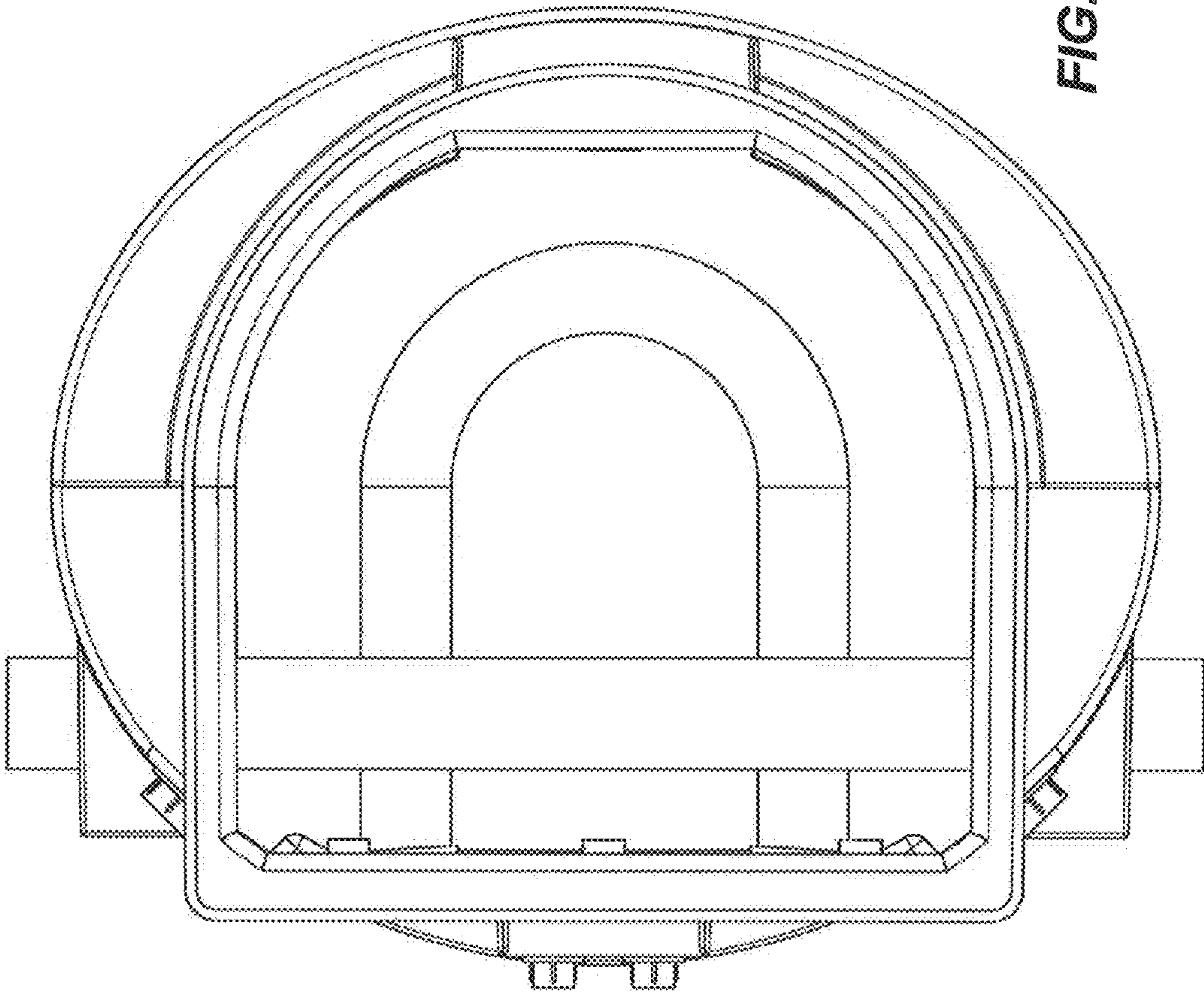


FIG. 2

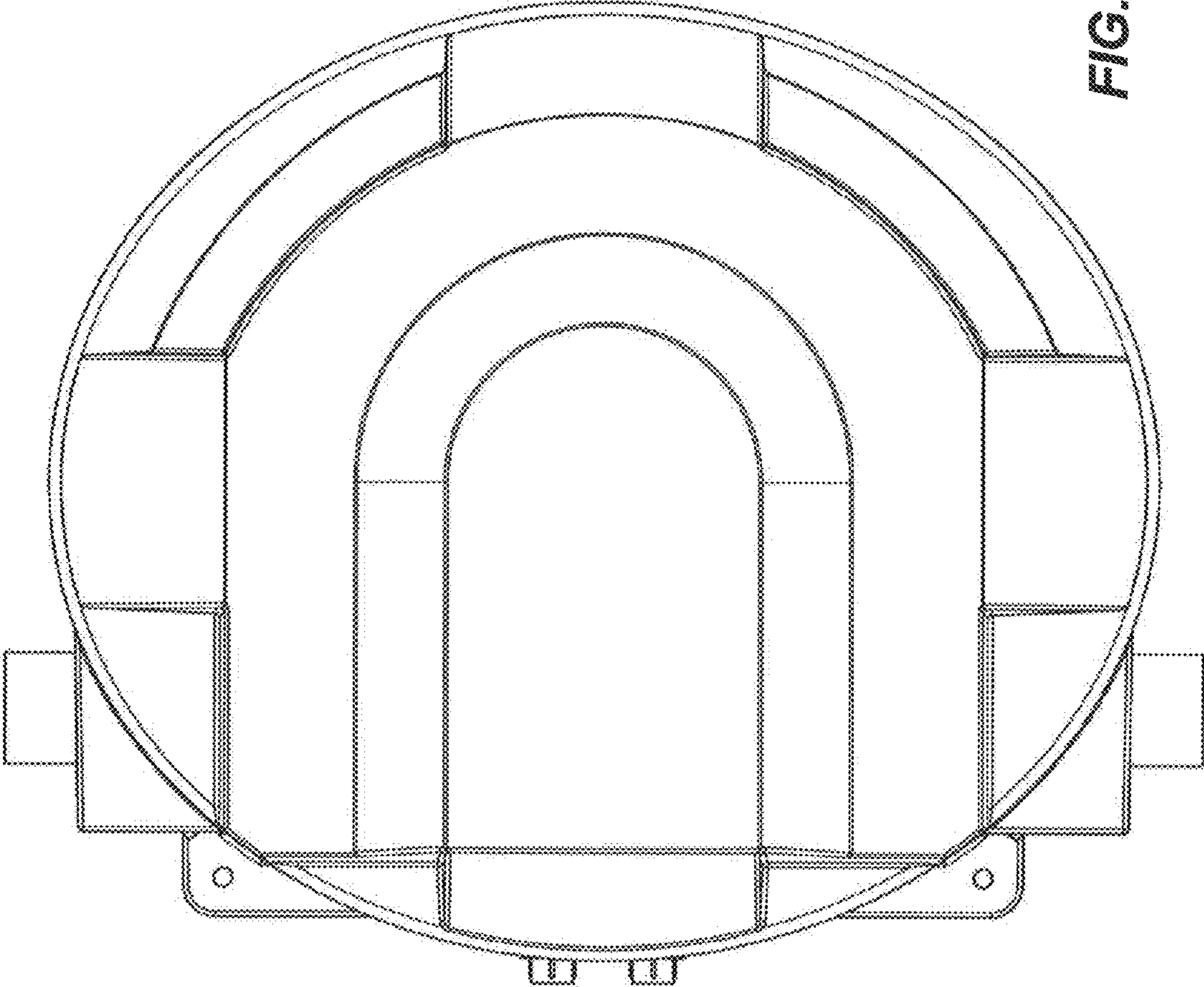


FIG. 3

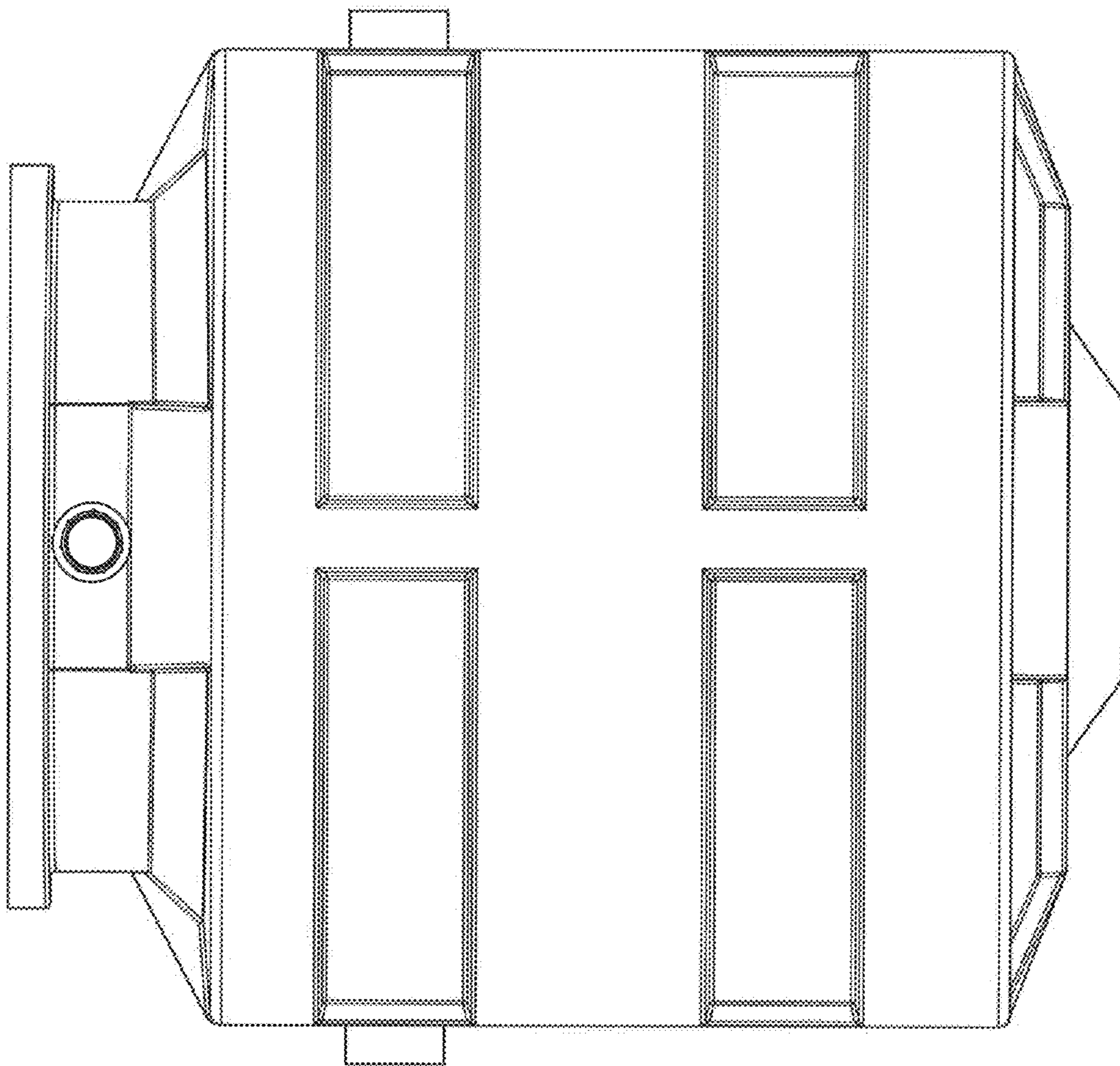


FIG. 4

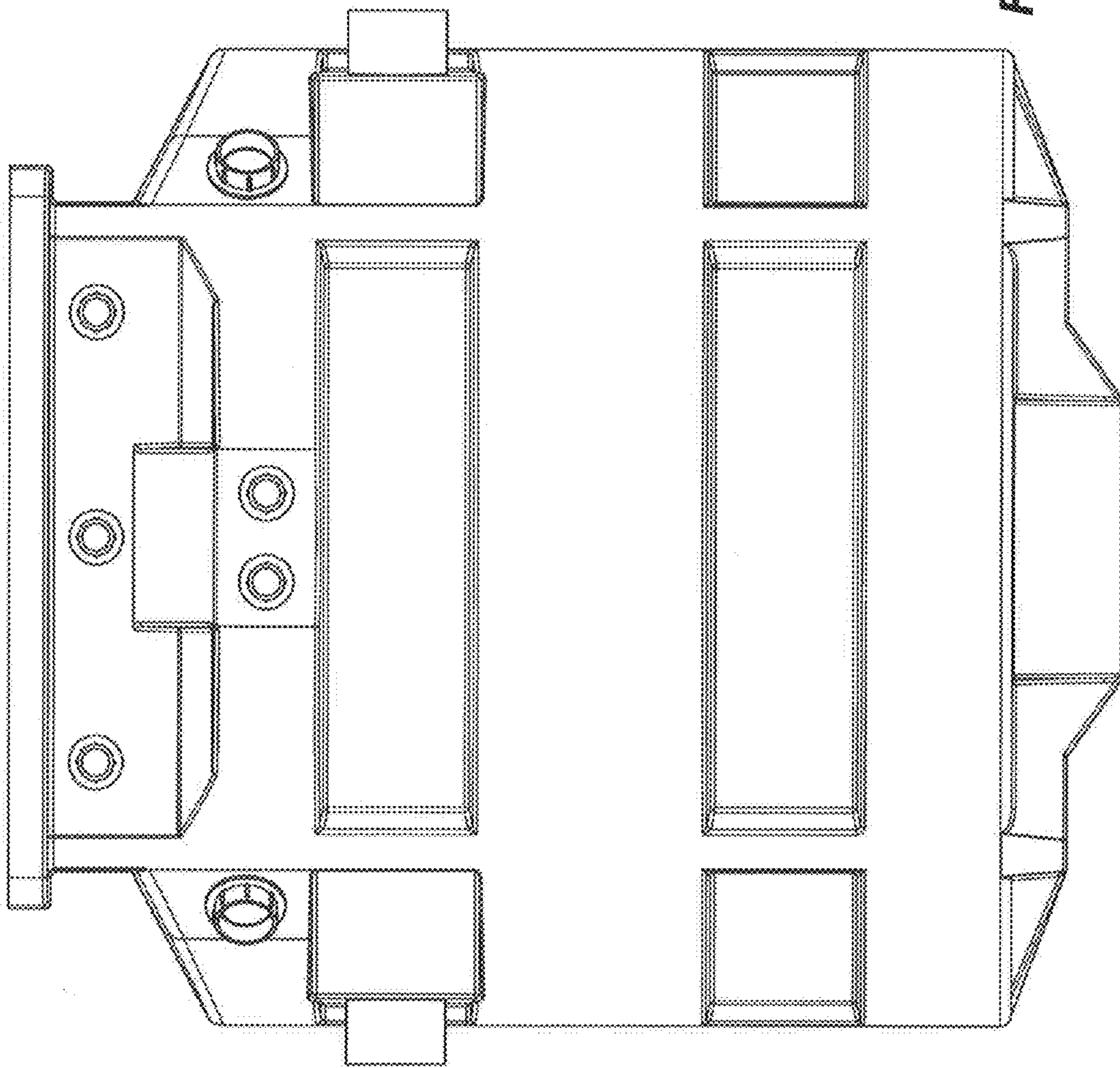


FIG. 5

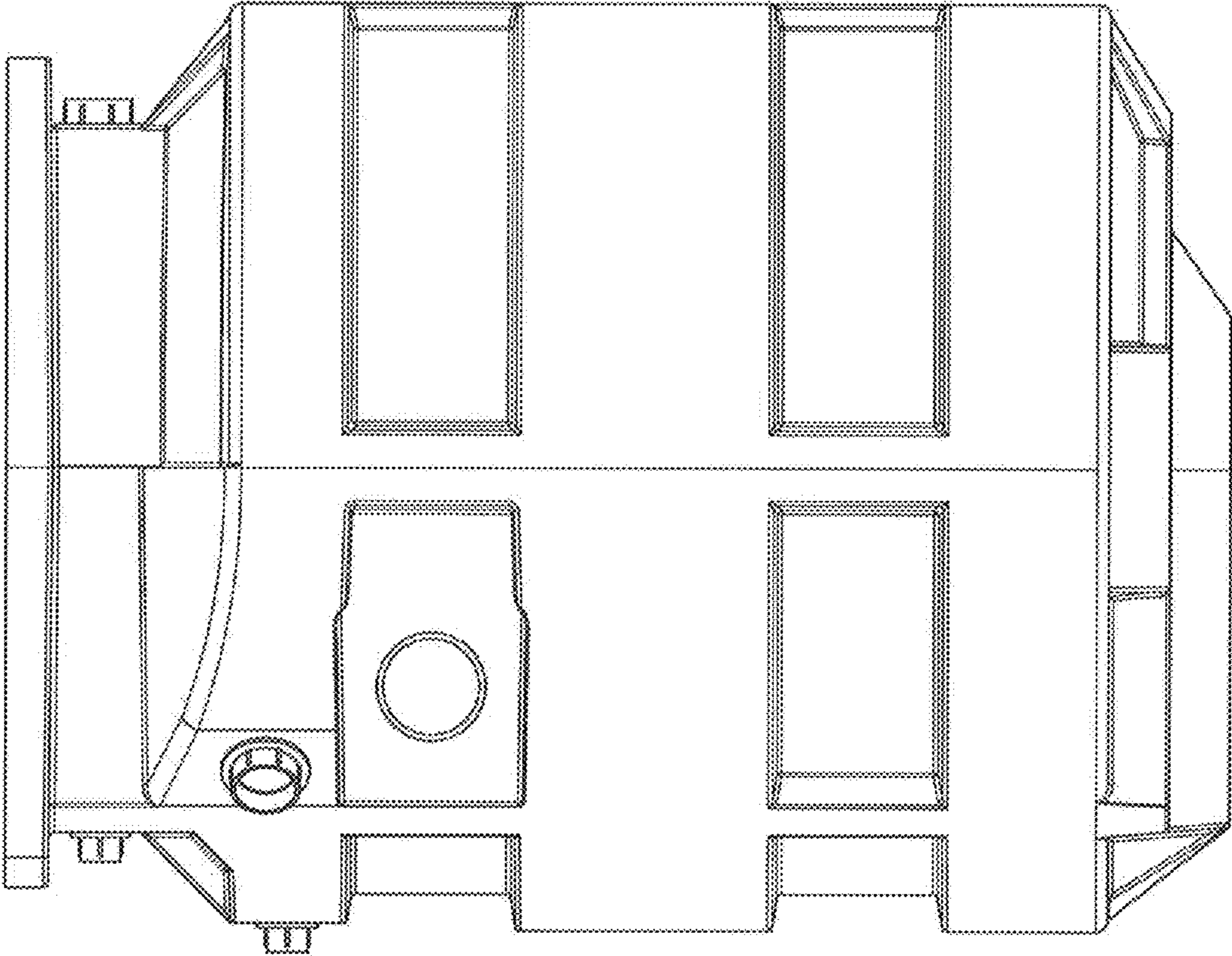


FIG. 6

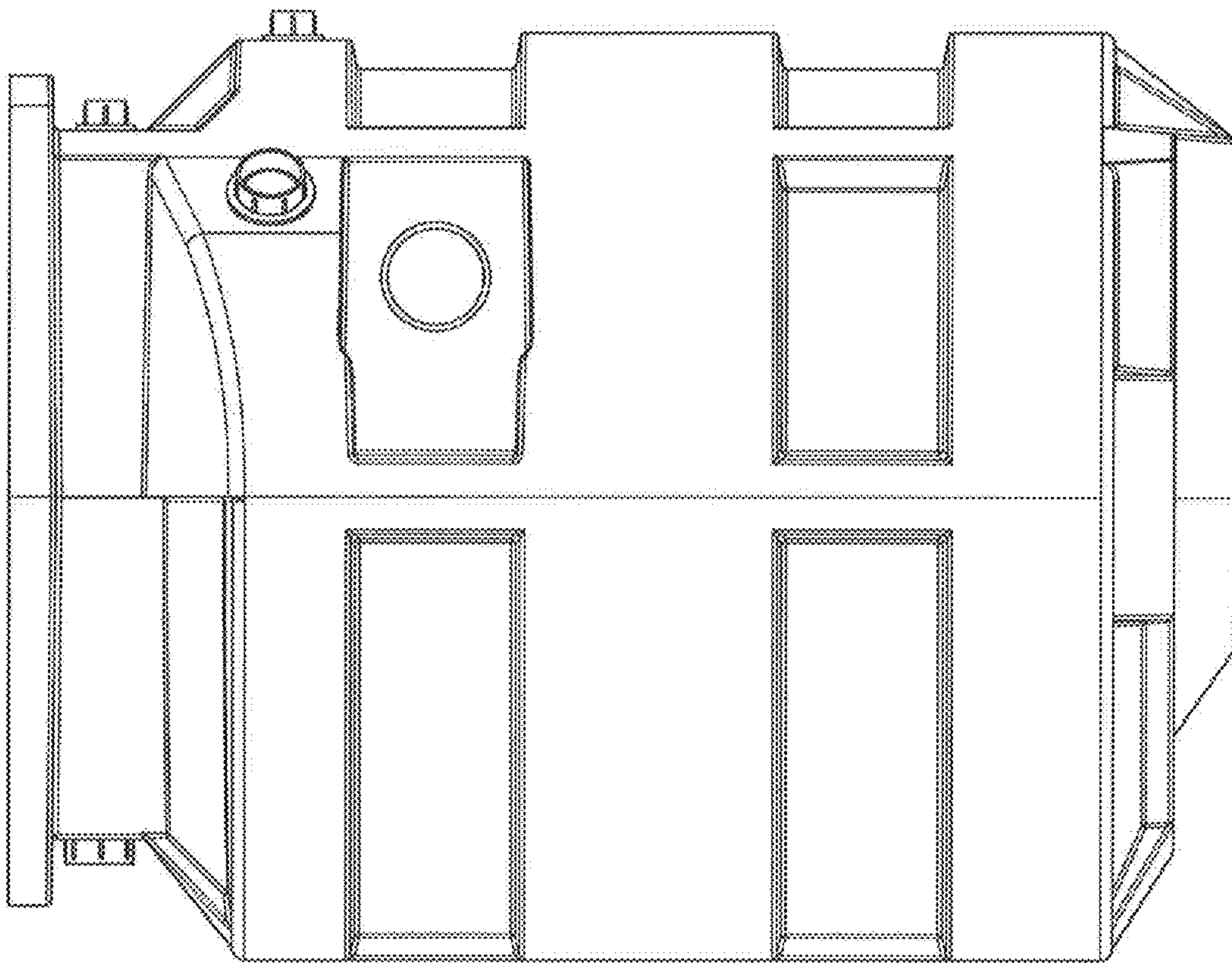


FIG. 7