



US00D744603S

(12) **United States Design Patent**
Lin

(10) **Patent No.:** **US D744,603 S**
(45) **Date of Patent:** **** Dec. 1, 2015**

(54) **PERSONAL FLOATATION DEVICE**

(71) Applicant: **Joseph Lin**, Torrance, CA (US)

(72) Inventor: **Joseph Lin**, Torrance, CA (US)

(73) Assignee: **Sport Dimension Inc.**, Carson, CA (US)

(**) Term: **14 Years**

(21) Appl. No.: **29/471,697**

(22) Filed: **Nov. 4, 2013**

(51) **LOC (10) Cl.** **29-02**

(52) **U.S. Cl.**
USPC **D21/805**

(58) **Field of Classification Search**

USPC D21/804–807; D29/100, 101.1, 101, 4;
2/456, 458, 467, 463; 441/88, 89, 106,
441/108, 111, 114–117; D6/392, 595, 596,
D6/601, 604, 605
CPC B63C 9/115; B63C 9/087; B63C 9/093;
B63C 9/105; B63C 9/1055; B63C 9/11;
B63C 9/125; B63C 9/1255; B63C 9/13;
B63C 9/131; B63C 9/133; B63C 9/135;
B63C 9/15; B63C 9/155; B63C 9/18

See application file for complete search history.

(56) **References Cited**

U.S. PATENT DOCUMENTS

4,555,234	A *	11/1985	Kent	441/106
4,692,125	A *	9/1987	Wessman	441/112
5,588,892	A *	12/1996	McMahon	441/116
D379,839	S *	6/1997	McMahon	D21/805
6,859,939	B1 *	3/2005	Osburn, Sr.	2/69
D623,714	S	9/2010	Steger		
D679,355	S *	4/2013	Fireman	D21/805

* cited by examiner

Primary Examiner — Zenia Bennett

(74) *Attorney, Agent, or Firm* — Raymond Sun

(57) **CLAIM**

The ornamental design for a personal floatation device, as shown and described.

DESCRIPTION

FIG. 1 is a rear perspective view of my personal floatation device.

FIG. 2 is a front elevation view thereof.

FIG. 3 is a rear elevation view thereof.

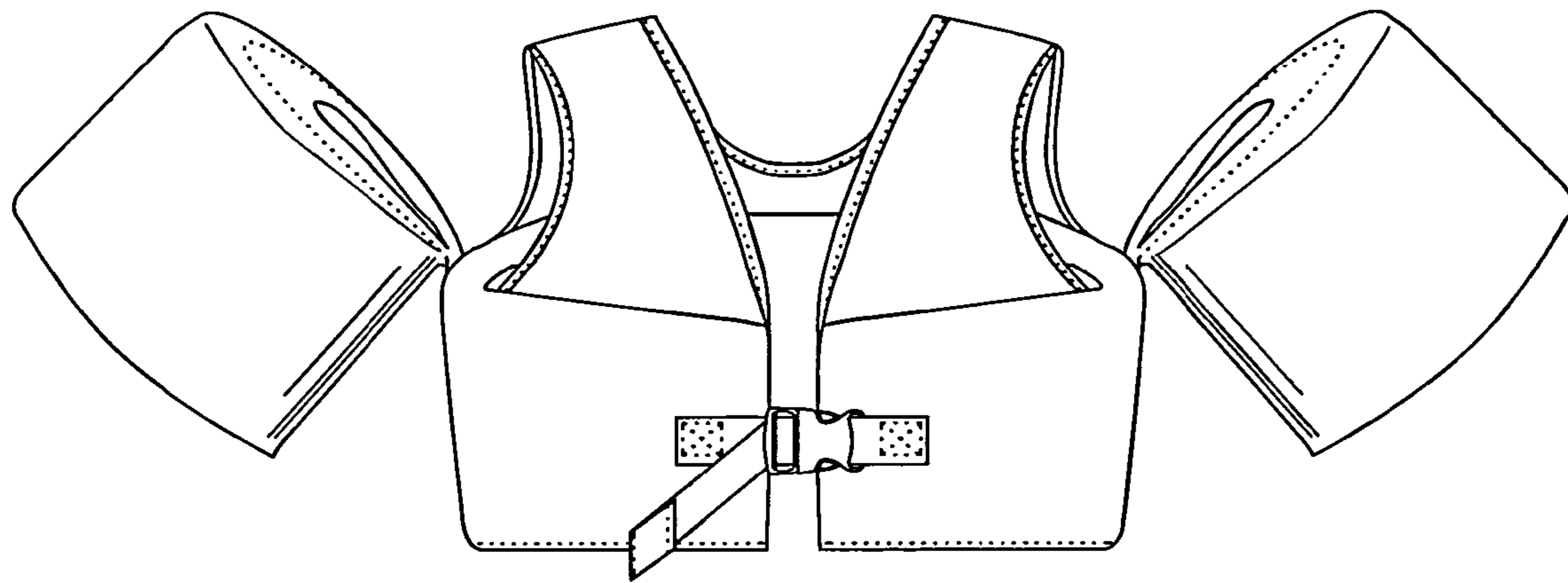
FIG. 4 is a top elevation view thereof.

FIG. 5 is a bottom elevation view thereof; and,

FIG. 6 is a left elevation view thereof, the right elevation view being symmetrical thereto.

The broken lines form no part of the claimed design.

1 Claim, 3 Drawing Sheets



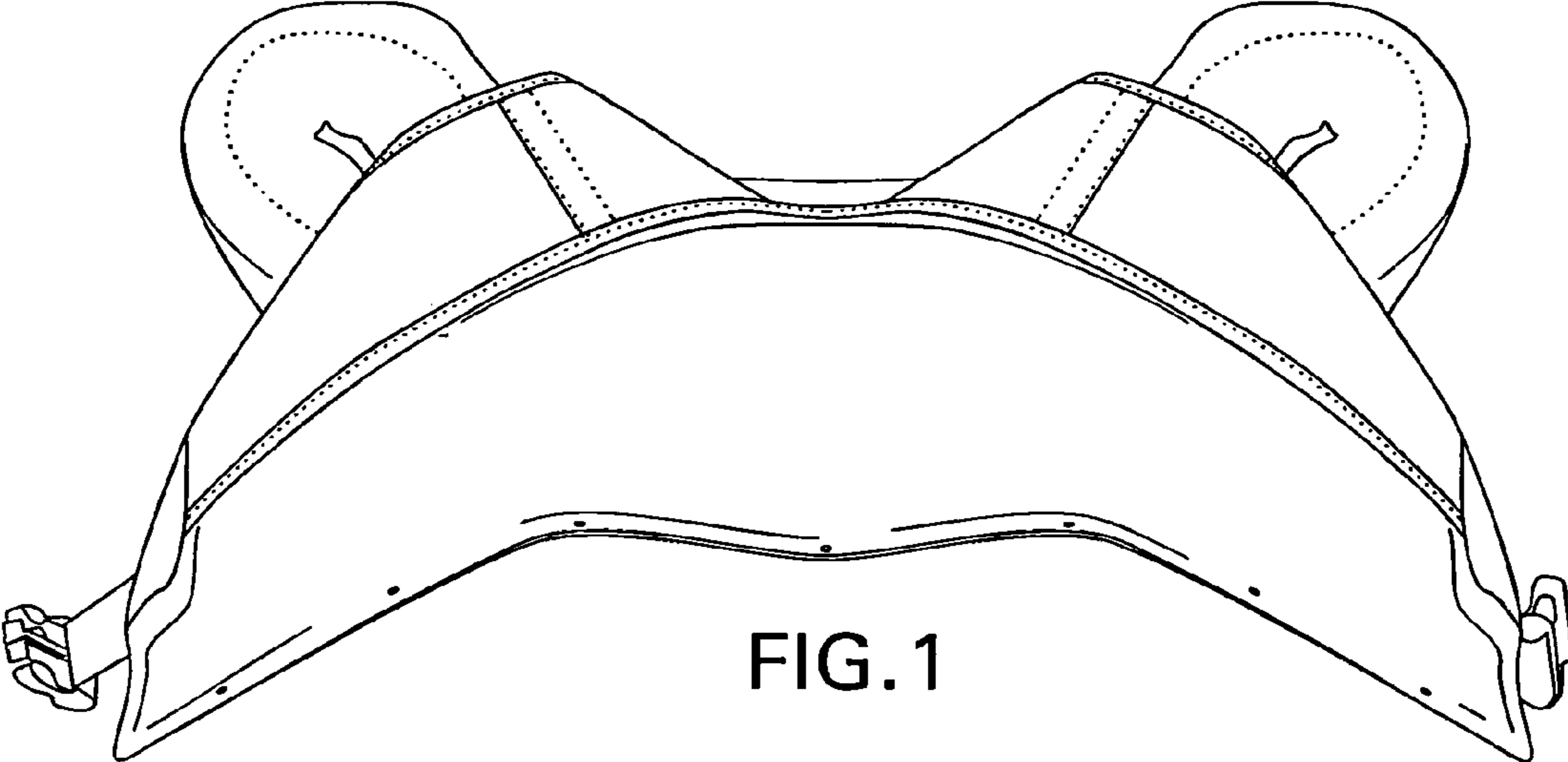


FIG. 1

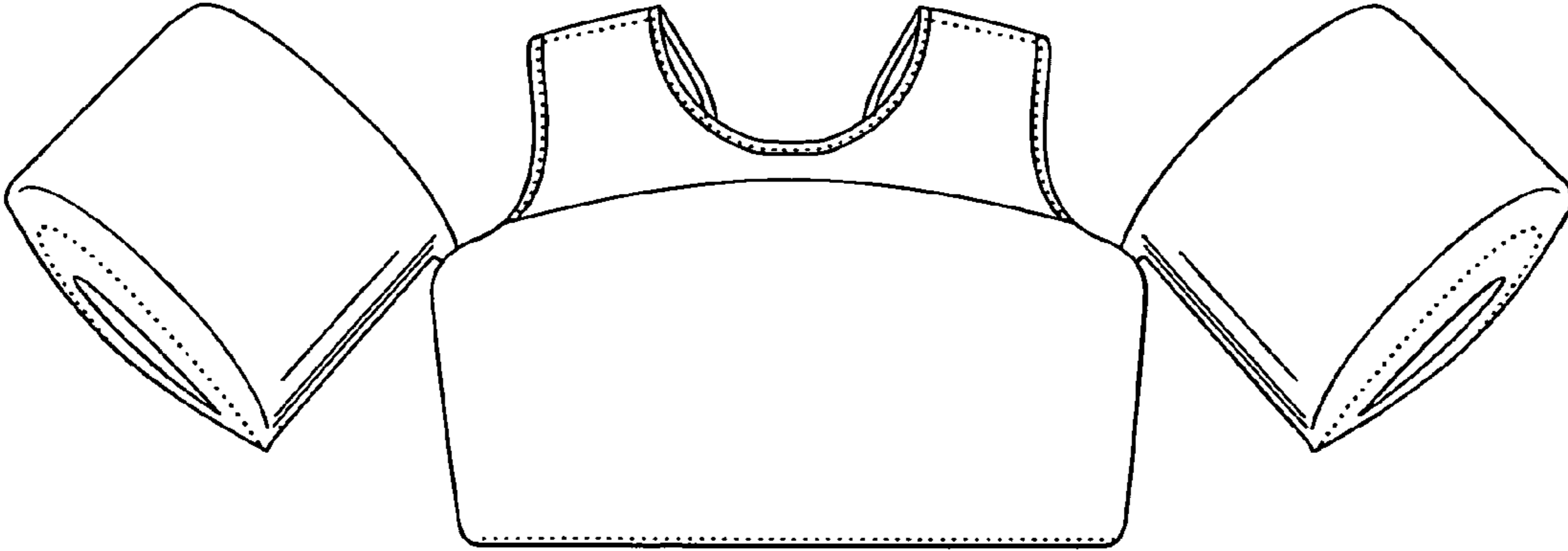


FIG. 2

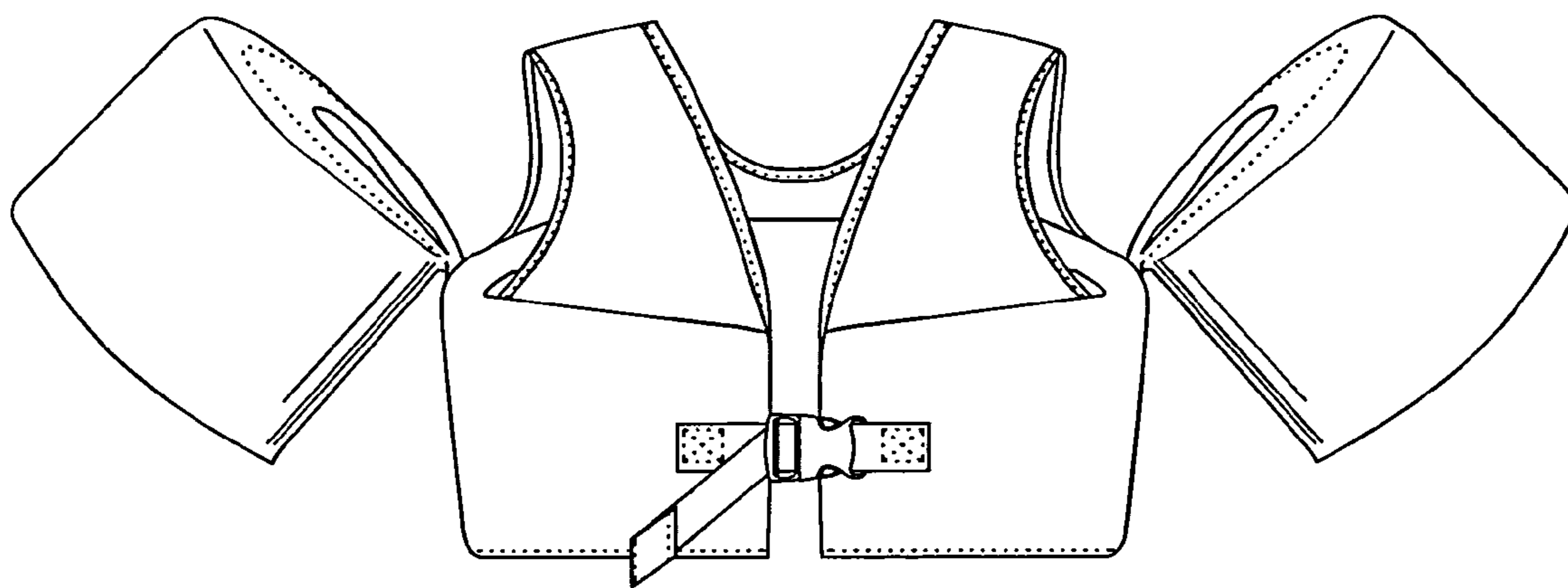


FIG. 3

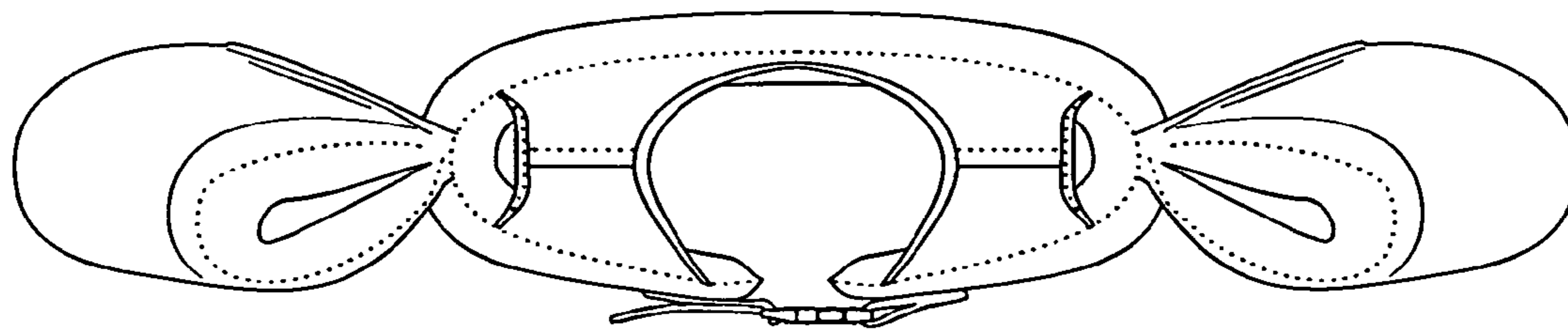


FIG. 4

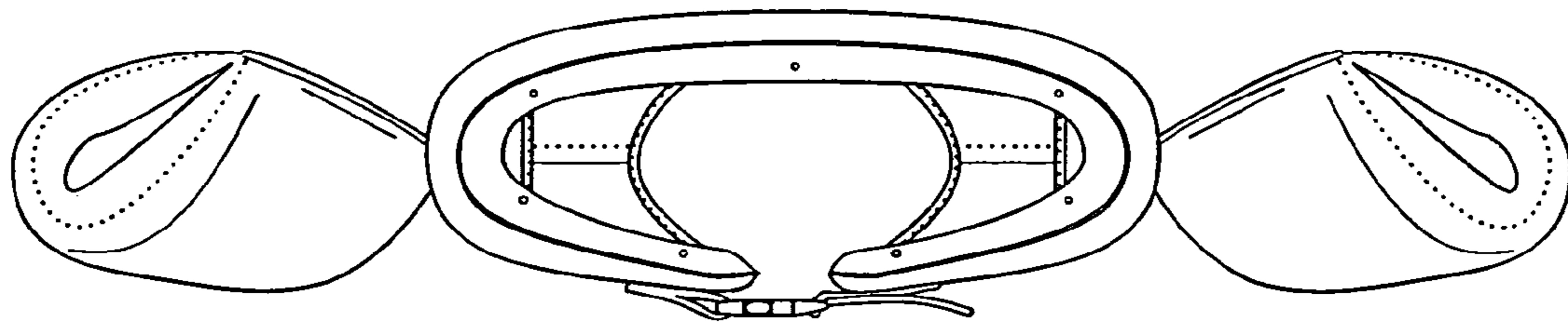


FIG. 5

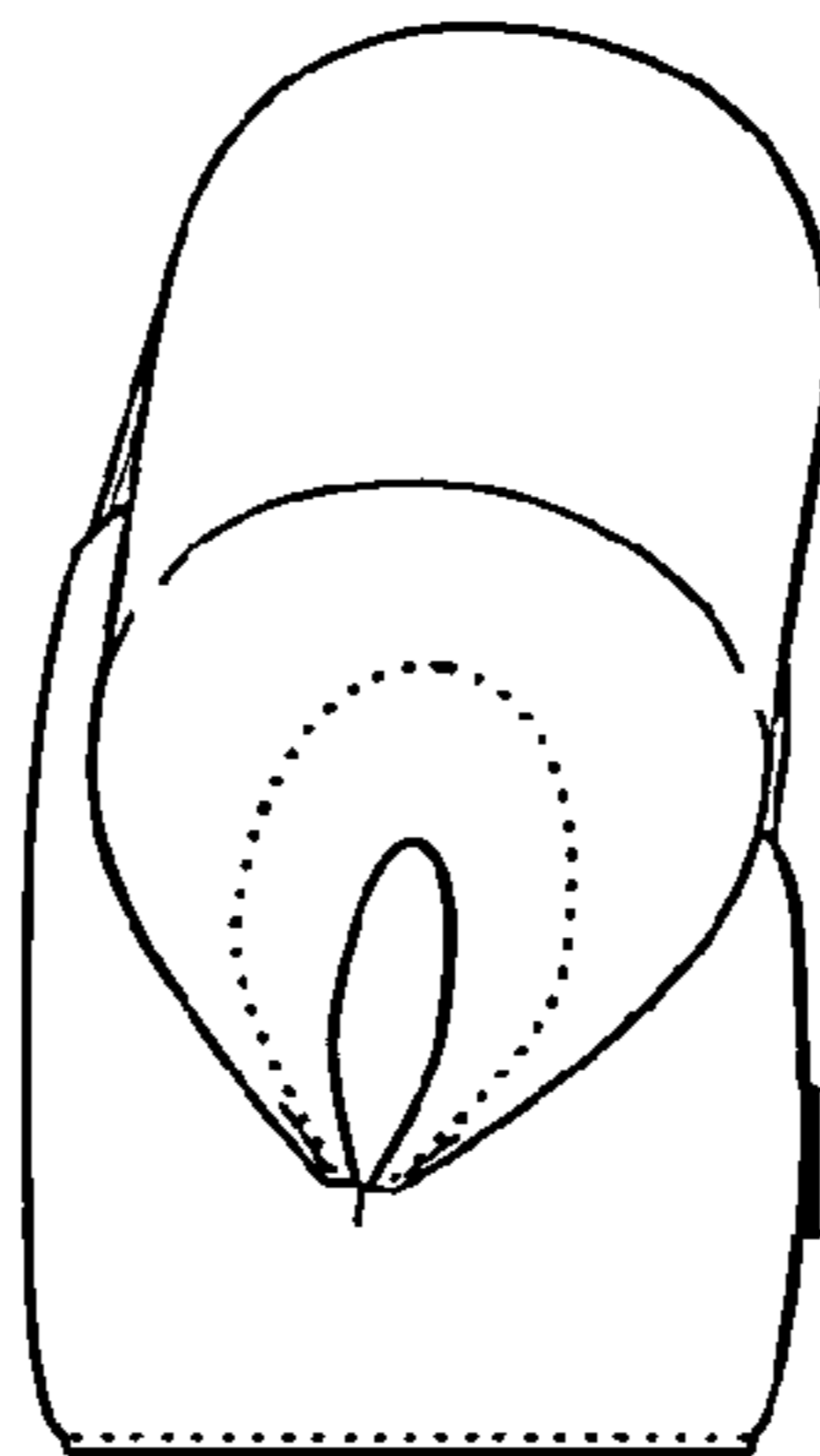


FIG. 6