



US00D744601S

(12) **United States Design Patent**
Sleeman

(10) **Patent No.:** **US D744,601 S**
(45) **Date of Patent:** **** Dec. 1, 2015**

(54) **ON-LAND SWIVEL SKI MACHINE**

(71) Applicant: **Alan Edgar Sleeman**, Elkhorn, WI (US)

(72) Inventor: **Alan Edgar Sleeman**, Elkhorn, WI (US)

(73) Assignee: **Alan E. Sleeman**, Elkhorn, WI (US)

(**) Term: **14 Years**

(21) Appl. No.: **29/474,400**

(22) Filed: **Sep. 8, 2014**

(51) **LOC (10) Cl.** **21-02**

(52) **U.S. Cl.**
USPC **D21/668**

(58) **Field of Classification Search**
USPC D21/662, 670, 772, 668, 687, 686, 673,
D21/674, 665; D3/226, 301; 224/222, 250;
D6/327, 320, 324; D24/192; D2/909,
D2/914, 913, 946; D29/121.2, 120.1;
36/136, 71.5, 96, 115, 72 R; 482/71,
482/146, 51, 79, 70, 54, 72, 141, 139, 62,
482/128, 130; 280/811, 87.042, 11.212;
2/22; 114/61.22; 440/21, 24; 188/29
CPC A63B 22/02; A63B 21/0552; A63B
21/1469; A63B 23/03541; A63B 71/1225;
A63B 2071/1258; A43B 23/24; A43B 5/00;
A43B 3/16; A43B 5/18
See application file for complete search history.

(56) **References Cited**

U.S. PATENT DOCUMENTS

4,179,134 A * 12/1979 Atkinson 280/87.042
D299,369 S * 1/1989 Smith et al. D21/668

D335,905 S * 5/1993 Cutter et al. D21/668
D343,214 S * 1/1994 Easley et al. D21/668
5,342,266 A * 8/1994 Dailey 482/71
D351,435 S * 10/1994 Peterson et al. D21/668
D352,535 S * 11/1994 Miller D21/668
5,499,957 A * 3/1996 Metcalf et al. 482/70
D375,767 S * 11/1996 Camfield et al. D21/668
5,702,274 A * 12/1997 White 440/21
5,830,114 A * 11/1998 Halfen et al. 482/70
D425,940 S * 5/2000 Halfen et al. D21/668
2010/0144496 A1 * 6/2010 Schmidt 482/70
2012/0277068 A1 * 11/2012 Zhou et al. 482/71
2015/0190679 A1 * 7/2015 Carbone et al. 482/146

* cited by examiner

Primary Examiner — Robert M Spear
Assistant Examiner — Ryan Harvey

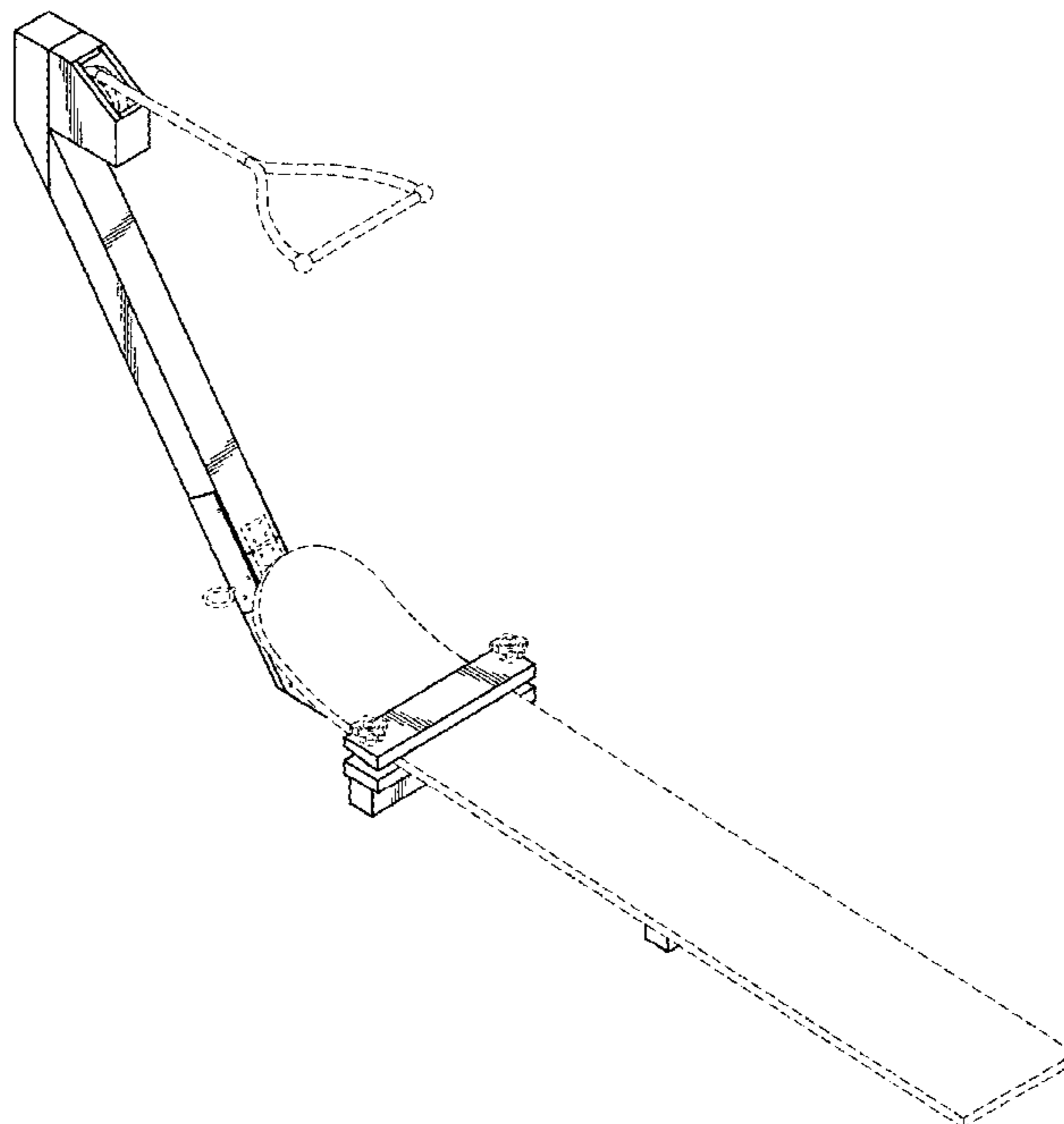
(57) **CLAIM**

I claim the ornamental design of an on-land swivel ski machine, as shown and described.

DESCRIPTION

FIG. 1 is a perspective view of an on-land swivel ski machine with ski board outlined.
FIG. 2 is a perspective view of an on-land swivel ski machine.
FIG. 3 is a left side view.
FIG. 4 is a right side view.
FIG. 5 is a top view.
FIG. 6 is a bottom view.
FIG. 7 is a back view.
FIG. 8 is a front view; and,
FIG. 9 is a perspective view of a collapsed configuration of the on-land swivel ski machine.
The broken lines illustrate portions of the article that form no part of the claimed design.

1 Claim, 7 Drawing Sheets



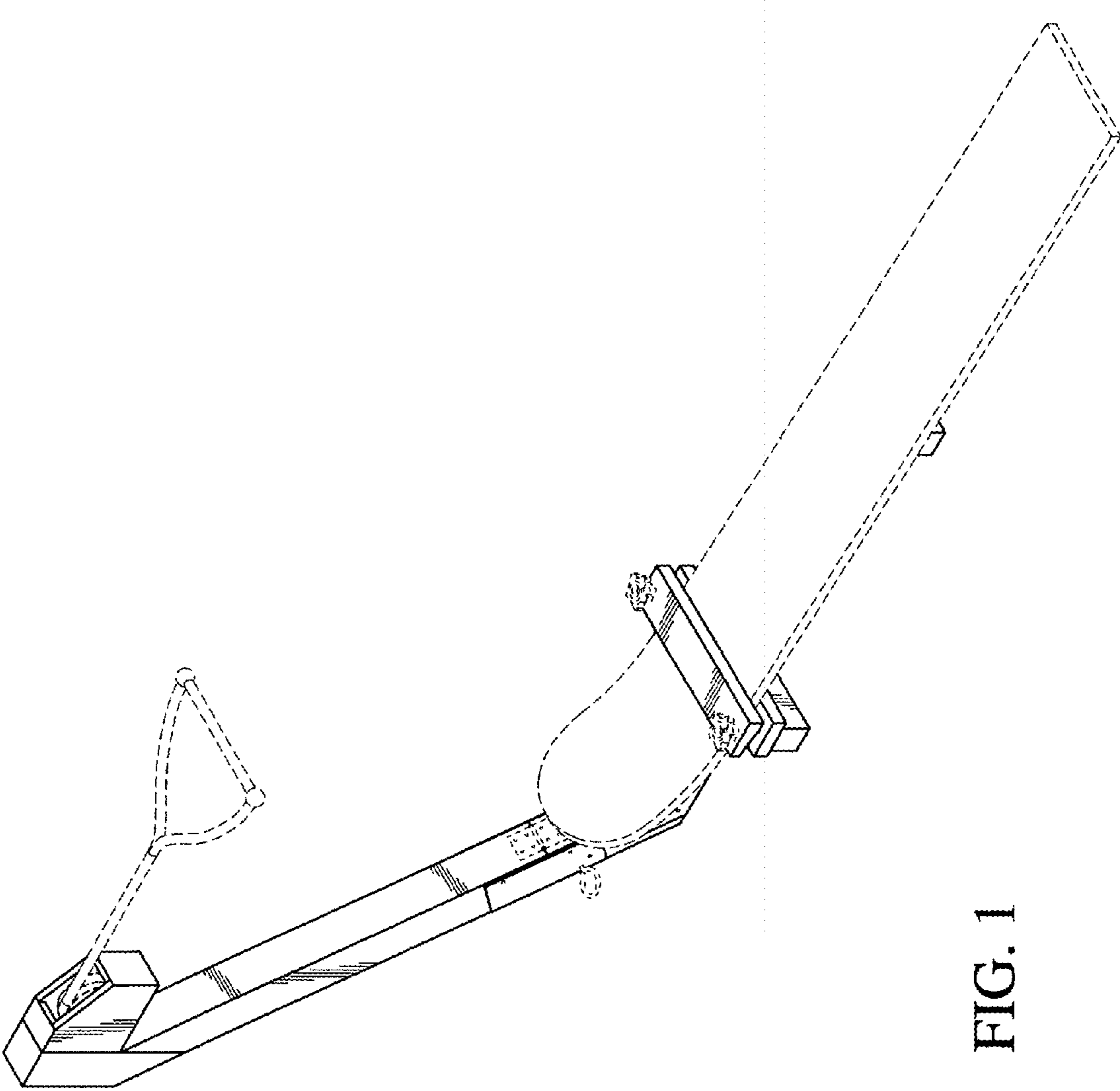


FIG. 1

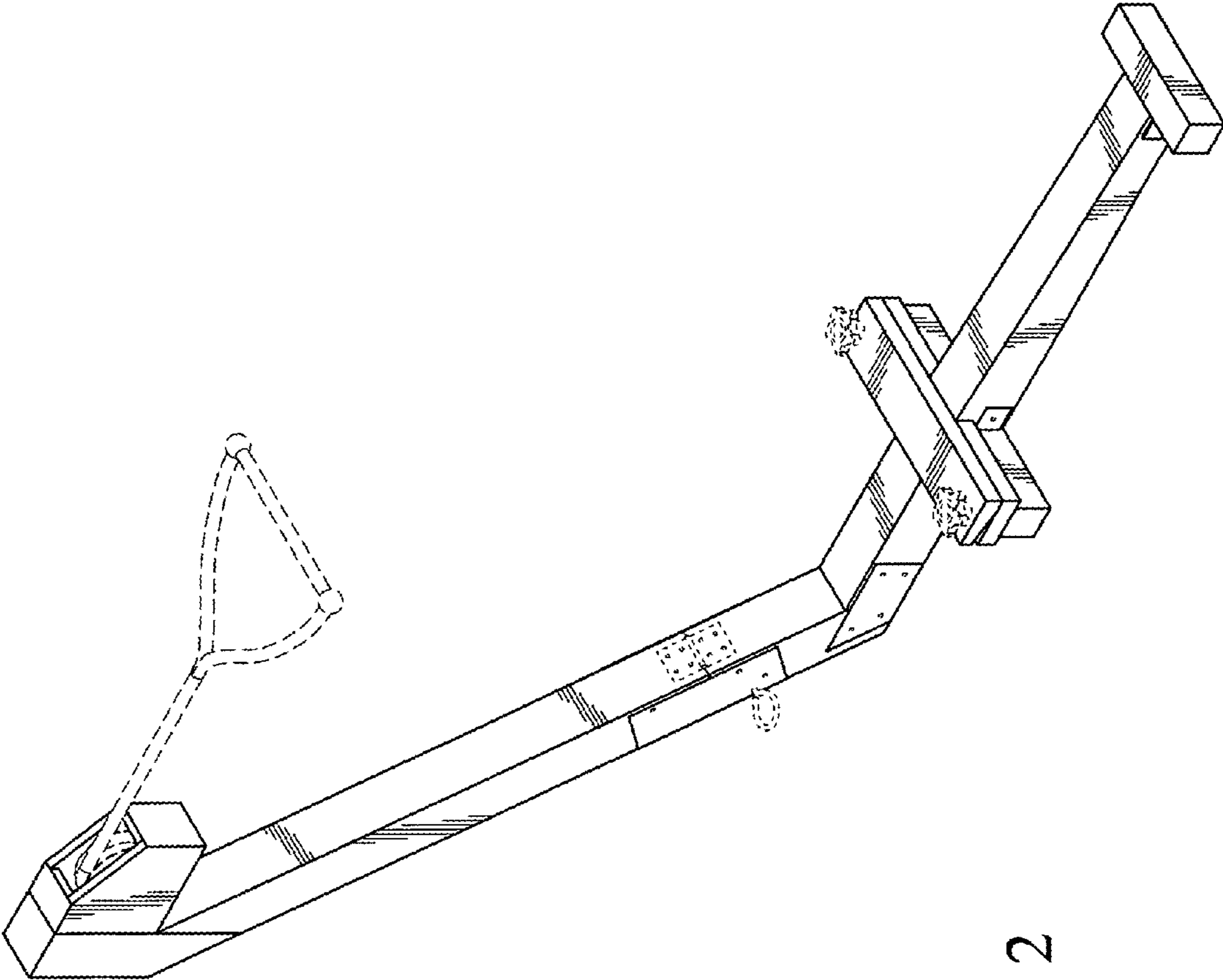
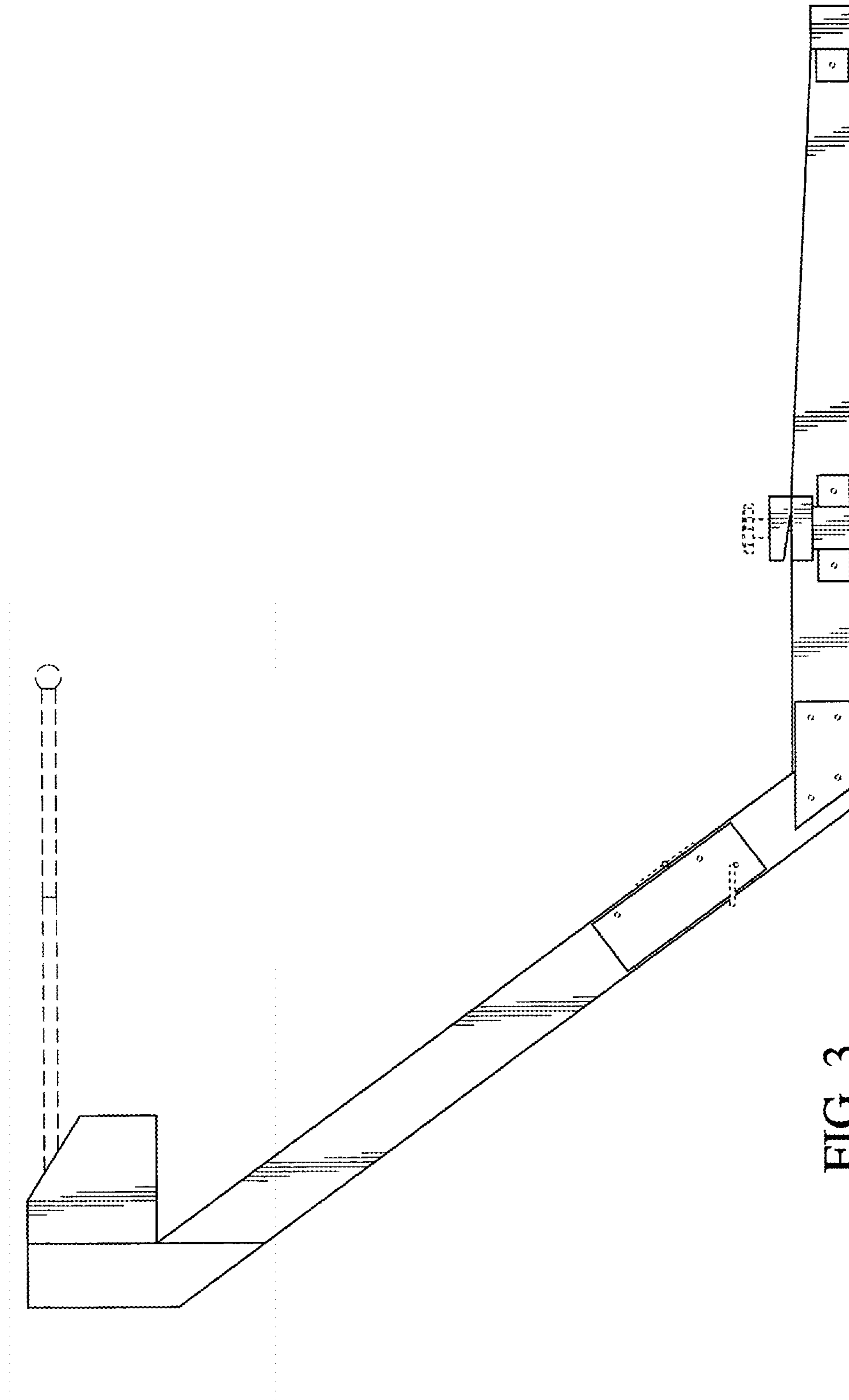
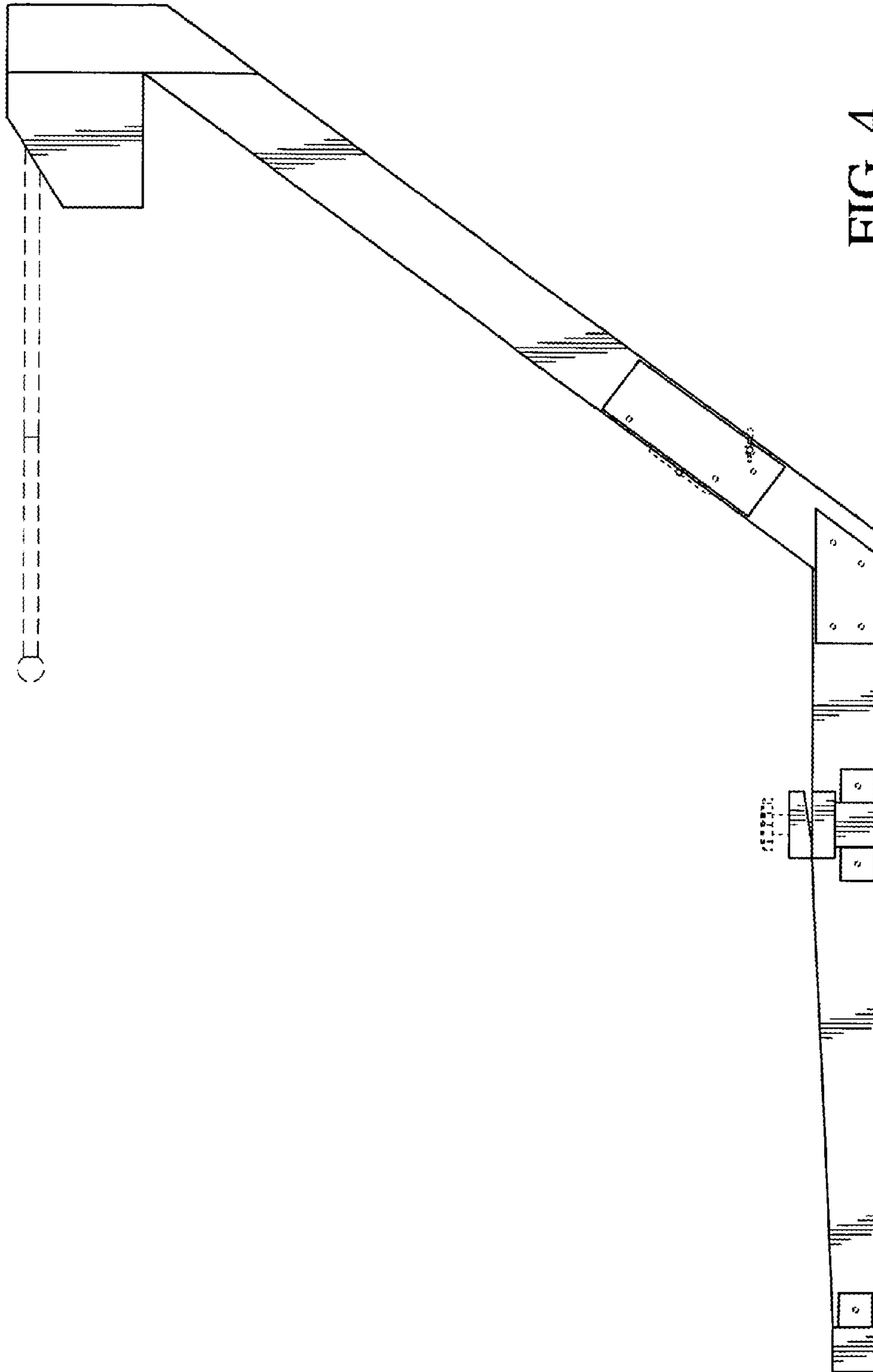


FIG. 2





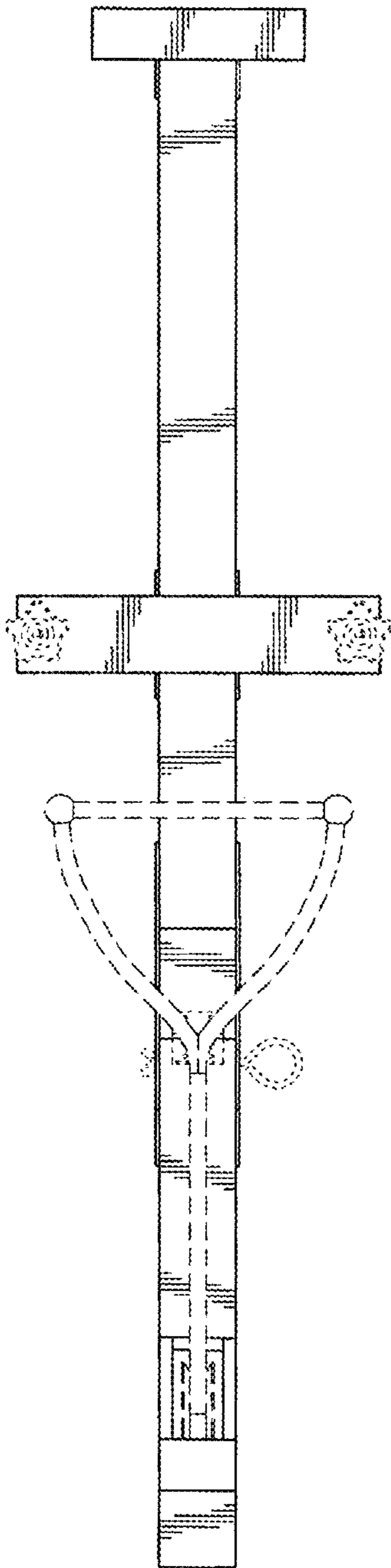


FIG. 5

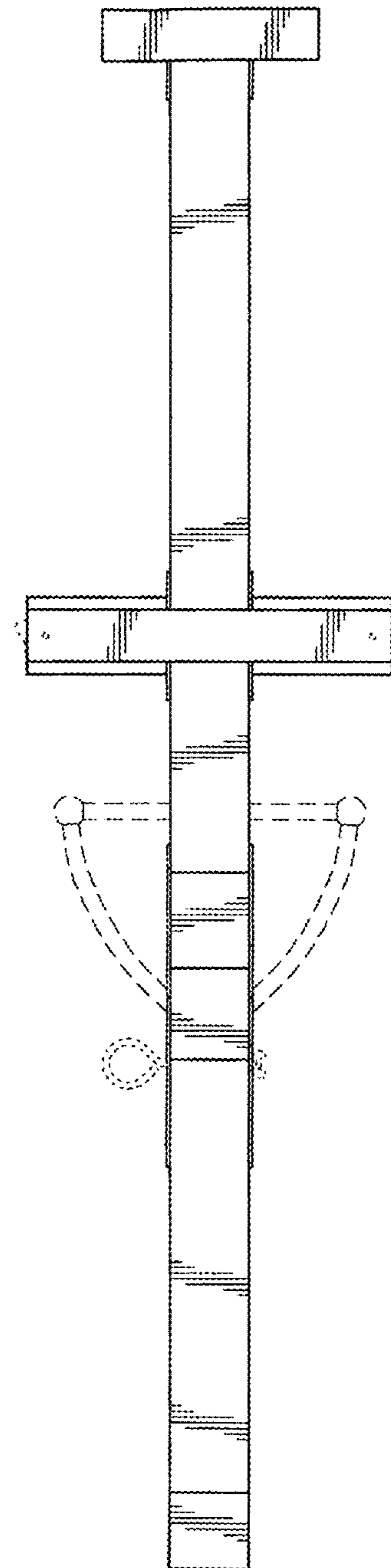


FIG. 6

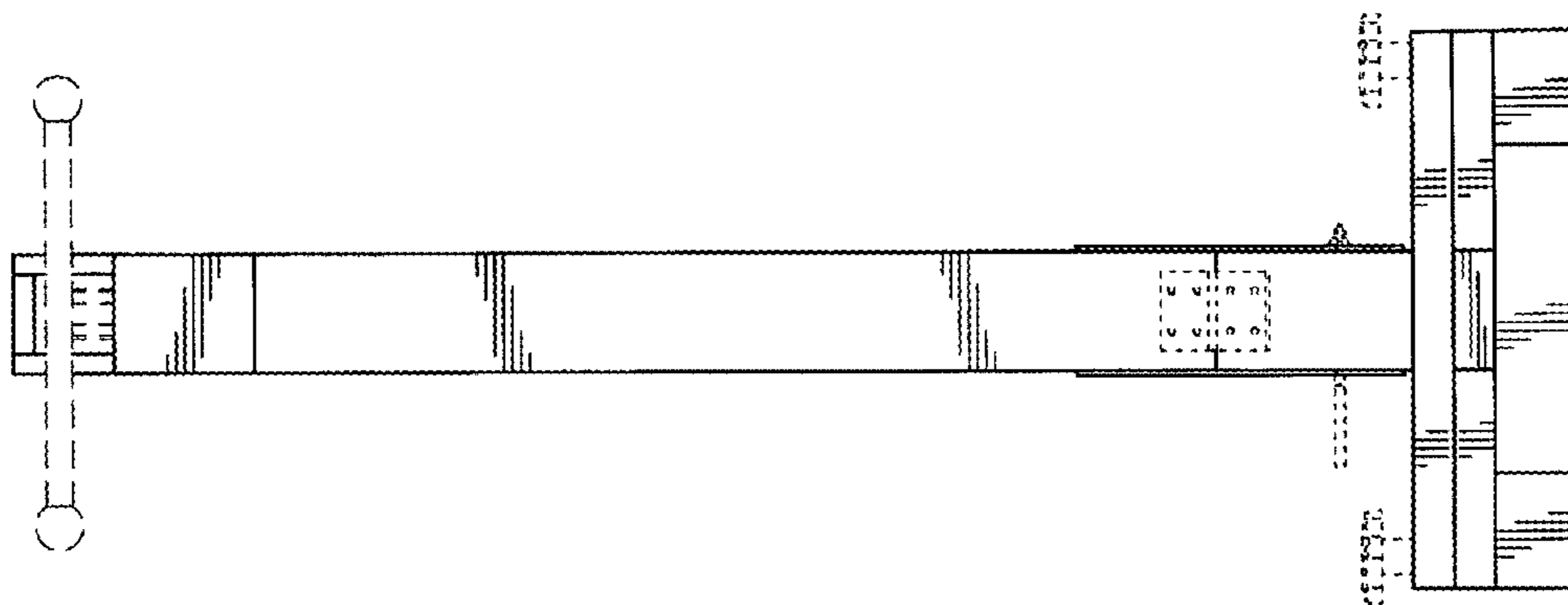


FIG. 8

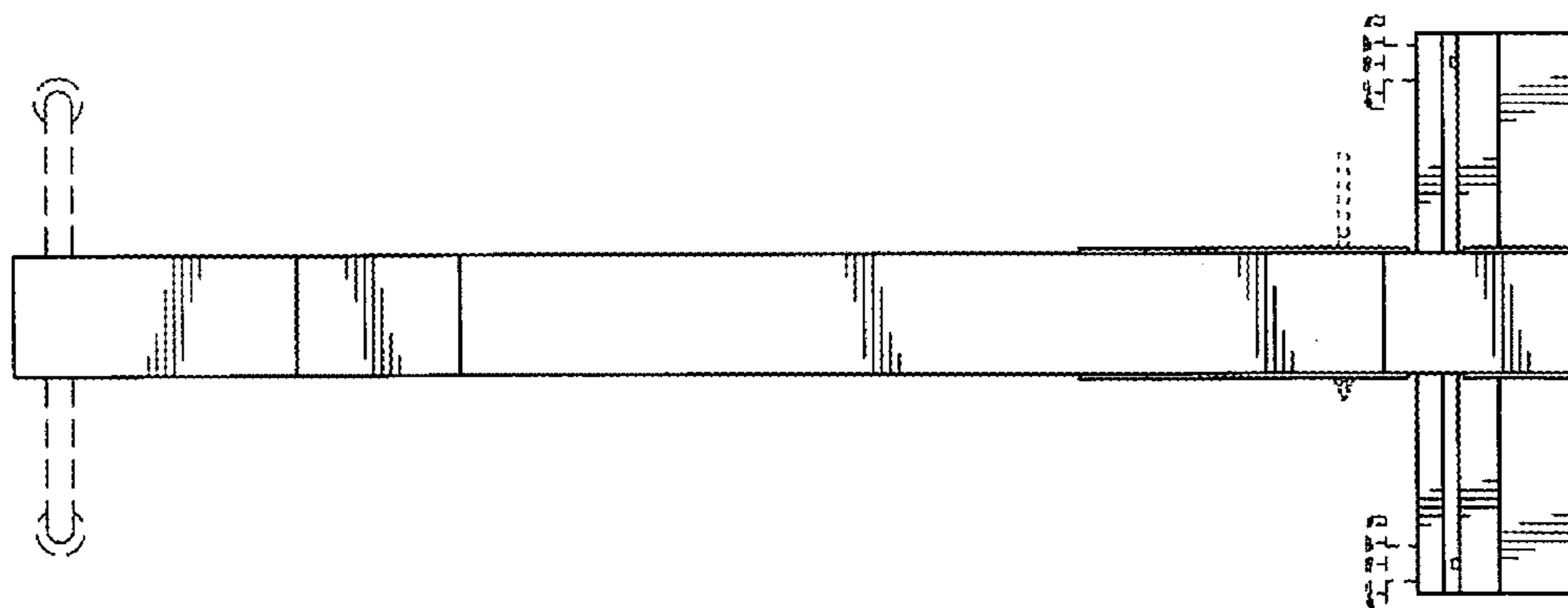


FIG. 7

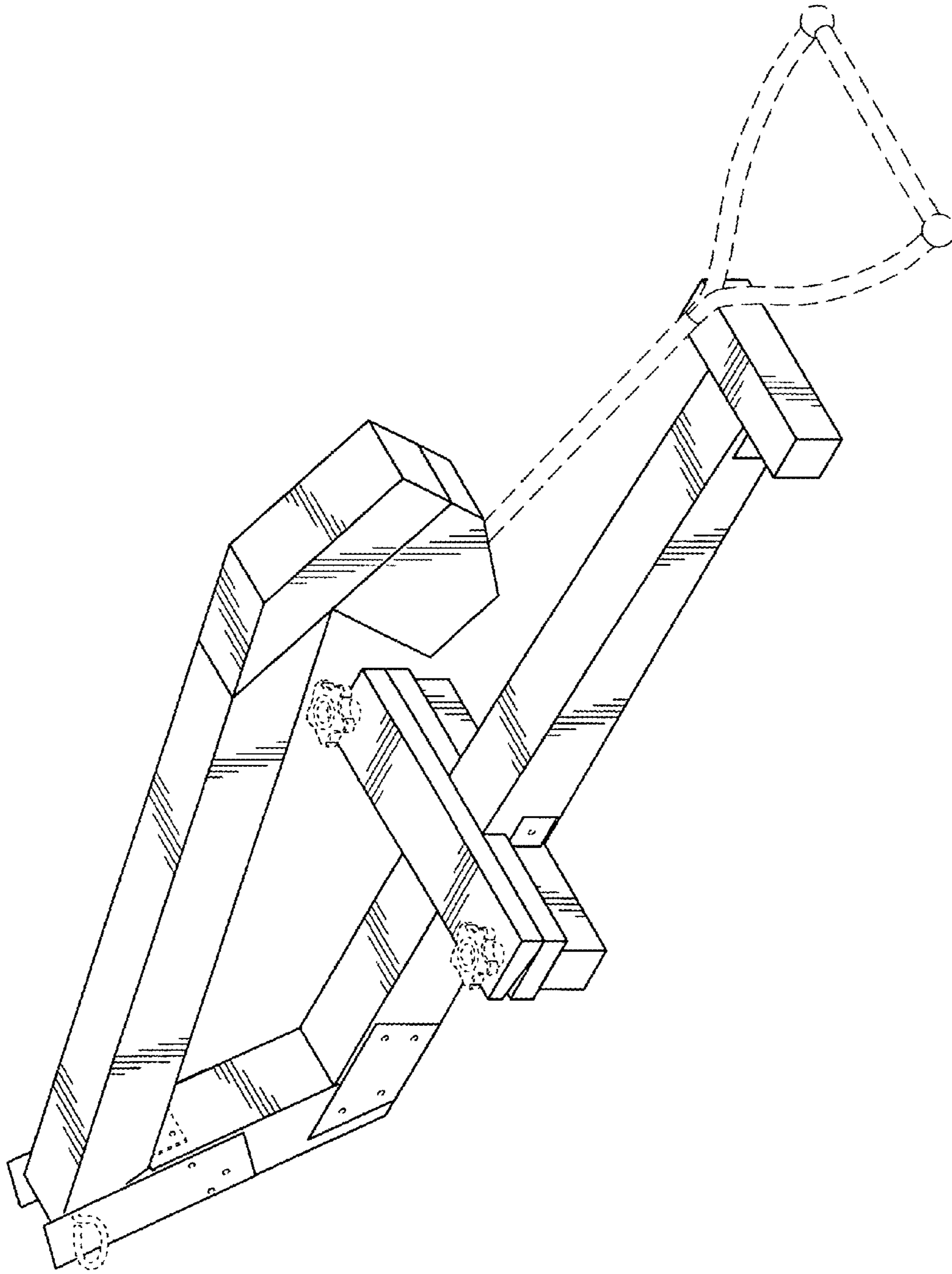


FIG. 9