



US00D744600S

(12) **United States Design Patent**
Gan

(10) **Patent No.:** **US D744,600 S**

(45) **Date of Patent:** **** Dec. 1, 2015**

(54) **REMOTE CONTROL MOTORCYCLE**

(71) Applicant: **Chon Seong Gan**, Irvine, CA (US)

(72) Inventor: **Chon Seong Gan**, Irvine, CA (US)

(73) Assignee: **MerchSource, LLC**, Irvine, CA (US)

(**) Term: **14 Years**

(21) Appl. No.: **29/494,170**

(22) Filed: **Jun. 18, 2014**

(51) **LOC (10) Cl.** **21-01**

(52) **U.S. Cl.**

USPC **D21/538**

(58) **Field of Classification Search**

USPC D21/533, 538, 432, 615; 446/72, 429,
446/431, 433, 440, 454, 455, 456, 465,
446/468; 280/209, 219, 828

CPC A63H 17/00; A63H 17/16; A63H 17/21;
A63H 17/26; A63H 17/262; A63H 17/36;
A63H 3/26; A63H 3/46; A63H 31/00

See application file for complete search history.

(56) **References Cited**

U.S. PATENT DOCUMENTS

D208,484 S *	9/1967	Wetherwell	D21/538
4,107,872 A *	8/1978	Tucker et al.	446/290
D269,099 S *	5/1983	Goldfarb et al.	D21/538
D275,505 S *	9/1984	Takasaka	D21/538
D346,414 S *	4/1994	Wong	D21/538

D476,381 S *	6/2003	Mukaida	D21/538
7,503,828 B2 *	3/2009	Lee	446/465
7,722,429 B2 *	5/2010	Campbell	446/376
D713,475 S *	9/2014	Hui	D21/538
2006/0121824 A1 *	6/2006	Lee et al.	446/440
2006/0270310 A1 *	11/2006	Campbell et al.	446/268

* cited by examiner

Primary Examiner — Cynthia M Chin

(74) *Attorney, Agent, or Firm* — Avyno Law, P.C.

(57) **CLAIM**

I claim the ornamental design for a remote control motorcycle, as shown and described.

DESCRIPTION

FIG. 1 is a front left perspective view of a remote control motorcycle.

FIG. 2 is a rear perspective view of the remote control motorcycle of FIG. 1.

FIG. 3 is a right side view of the remote control motorcycle of FIG. 1.

FIG. 4 is a left side view of the remote control motorcycle of FIG. 1.

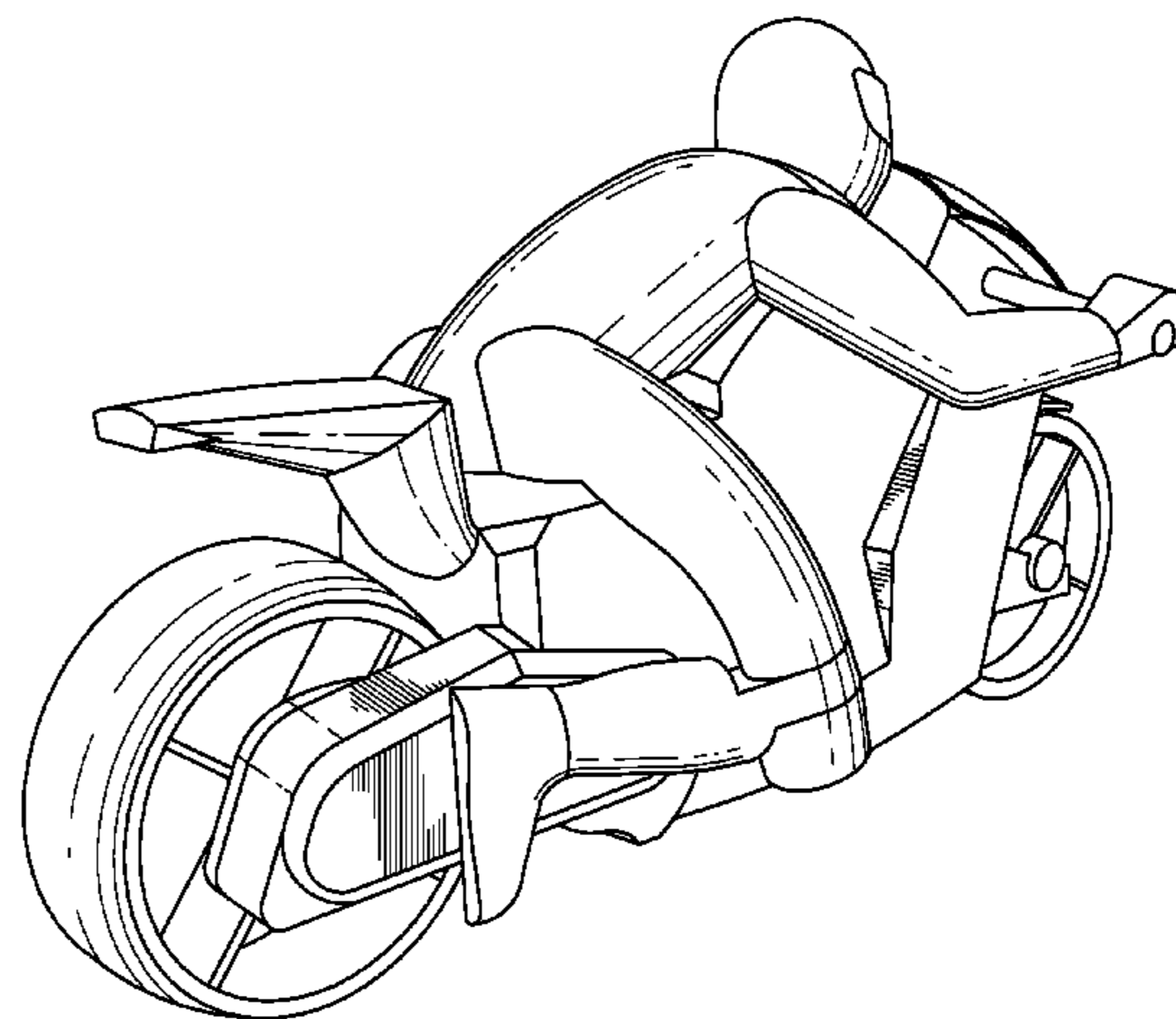
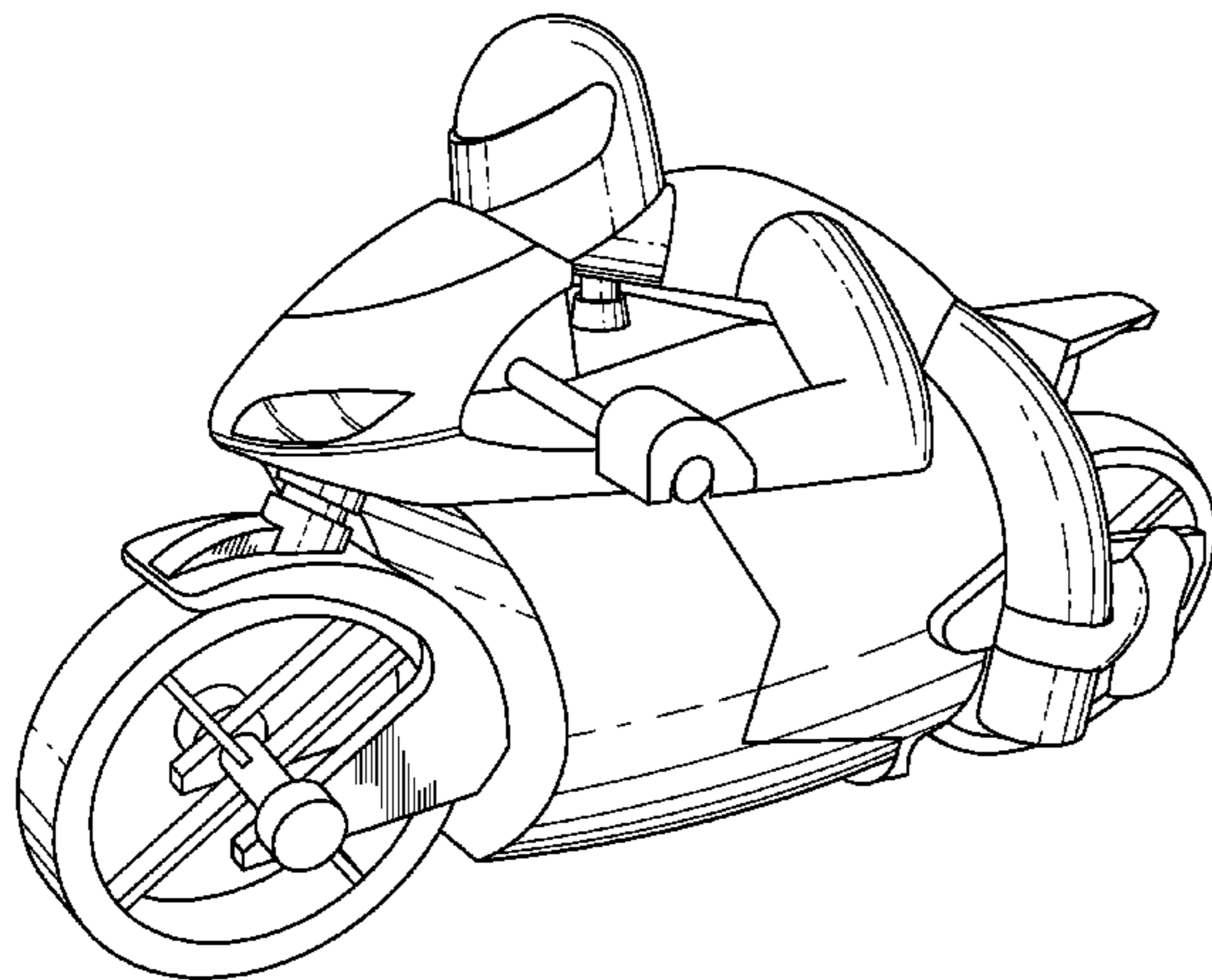
FIG. 5 is a top view of the remote control motorcycle of FIG. 1.

FIG. 6 is a bottom view of the remote control motorcycle of FIG. 1.

FIG. 7 is a front view of the remote control motorcycle of FIG. 1; and,

FIG. 8 is a rear view of the remote control motorcycle of FIG. 1.

1 Claim, 7 Drawing Sheets



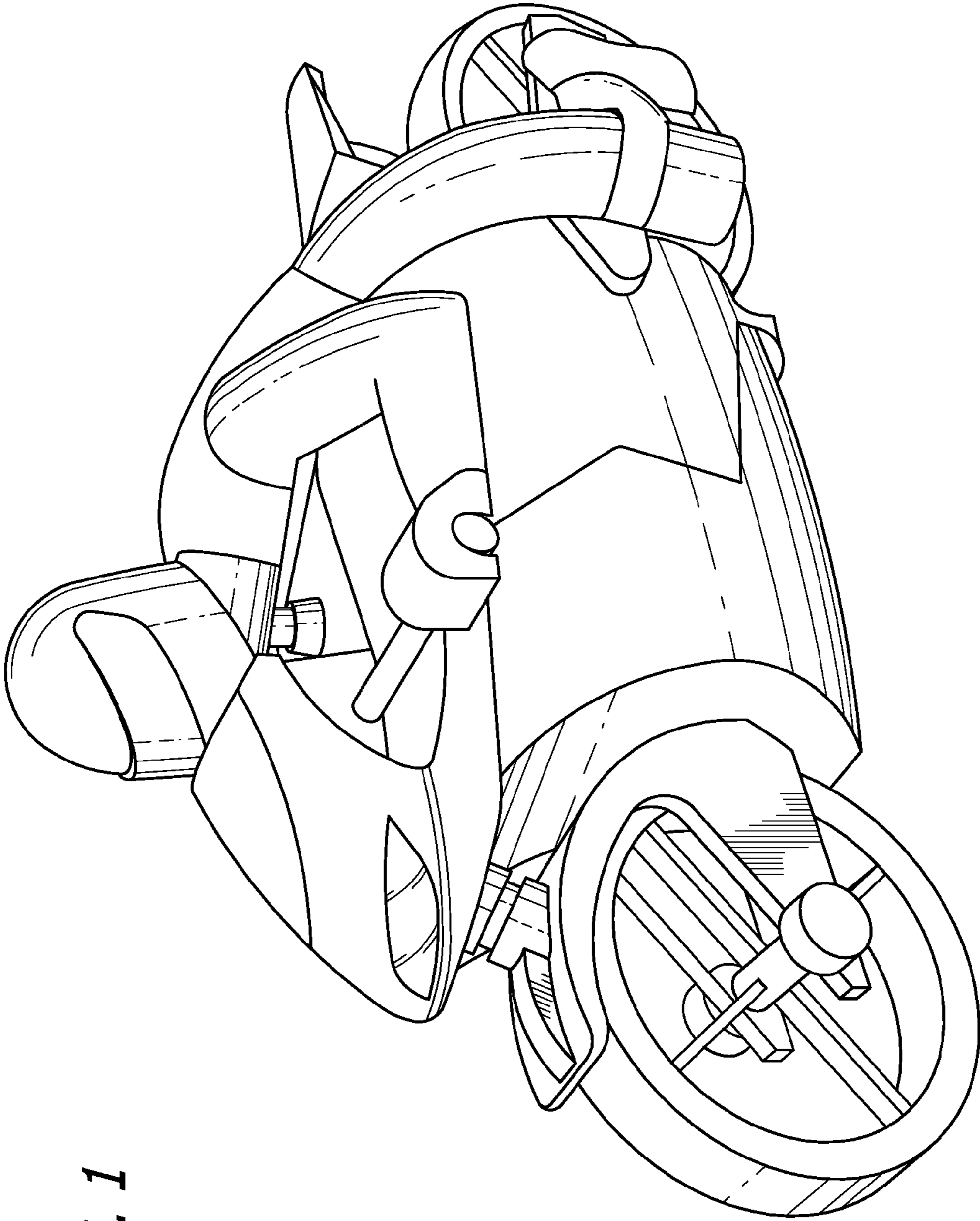


FIG. 1



FIG. 2

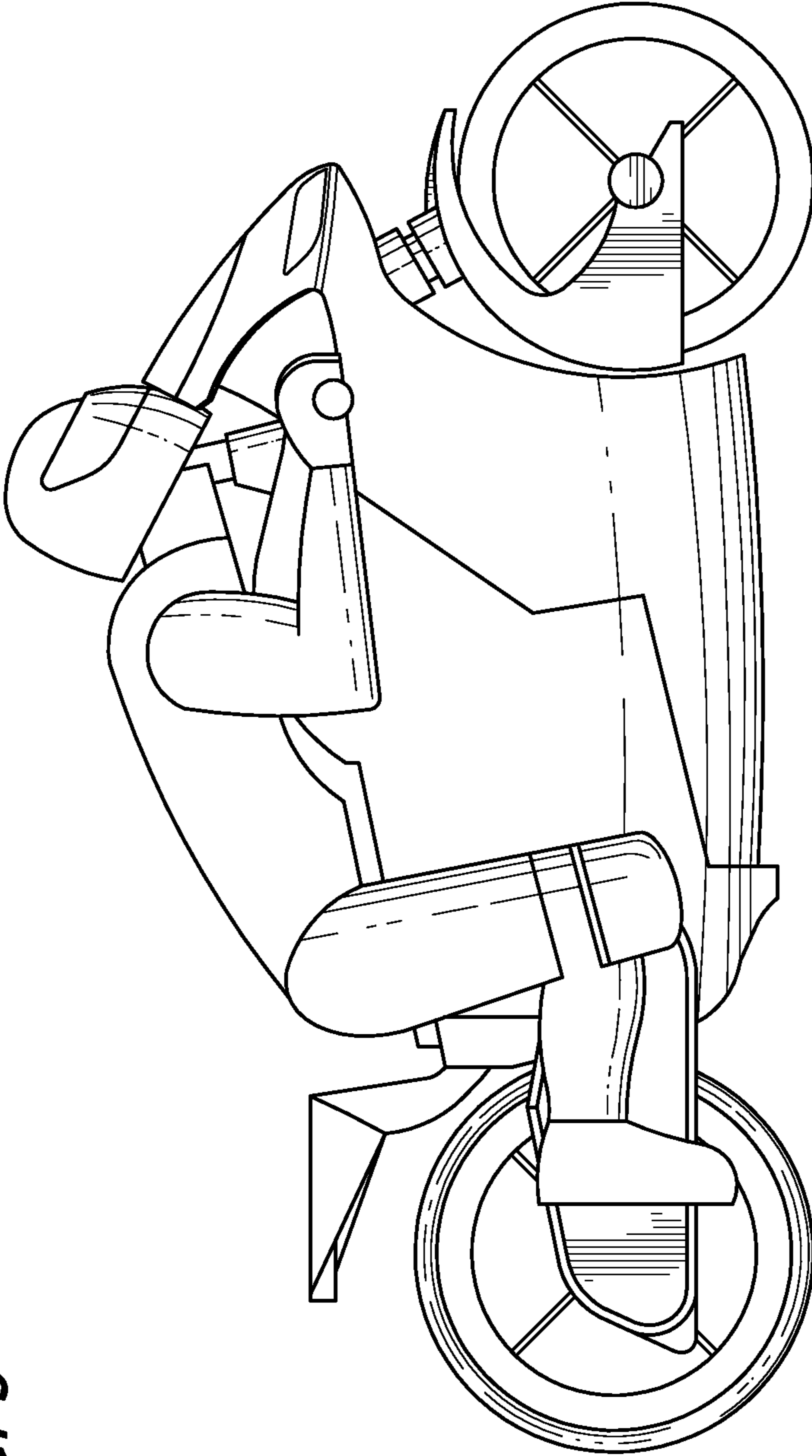


FIG. 3

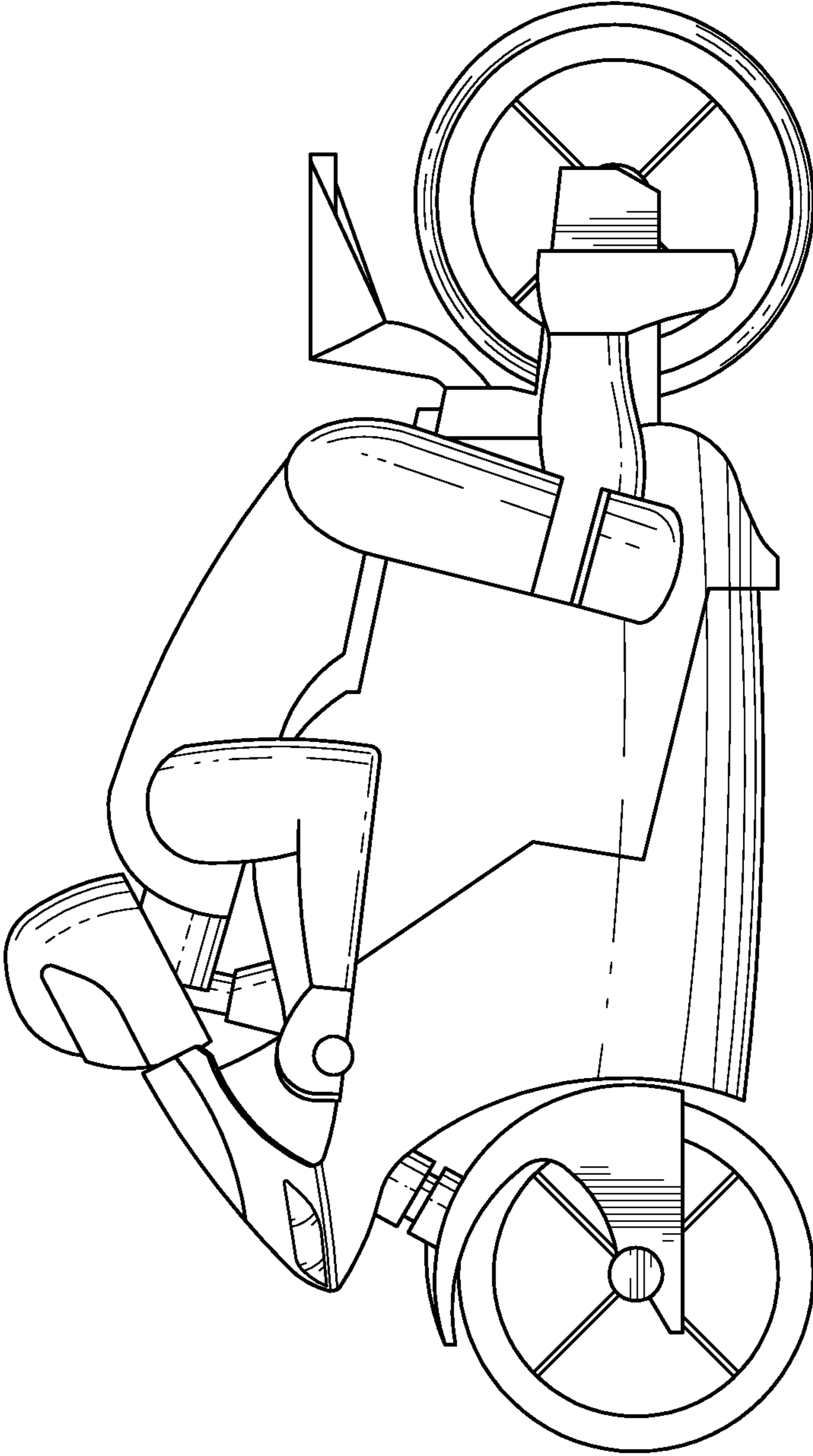


FIG. 4

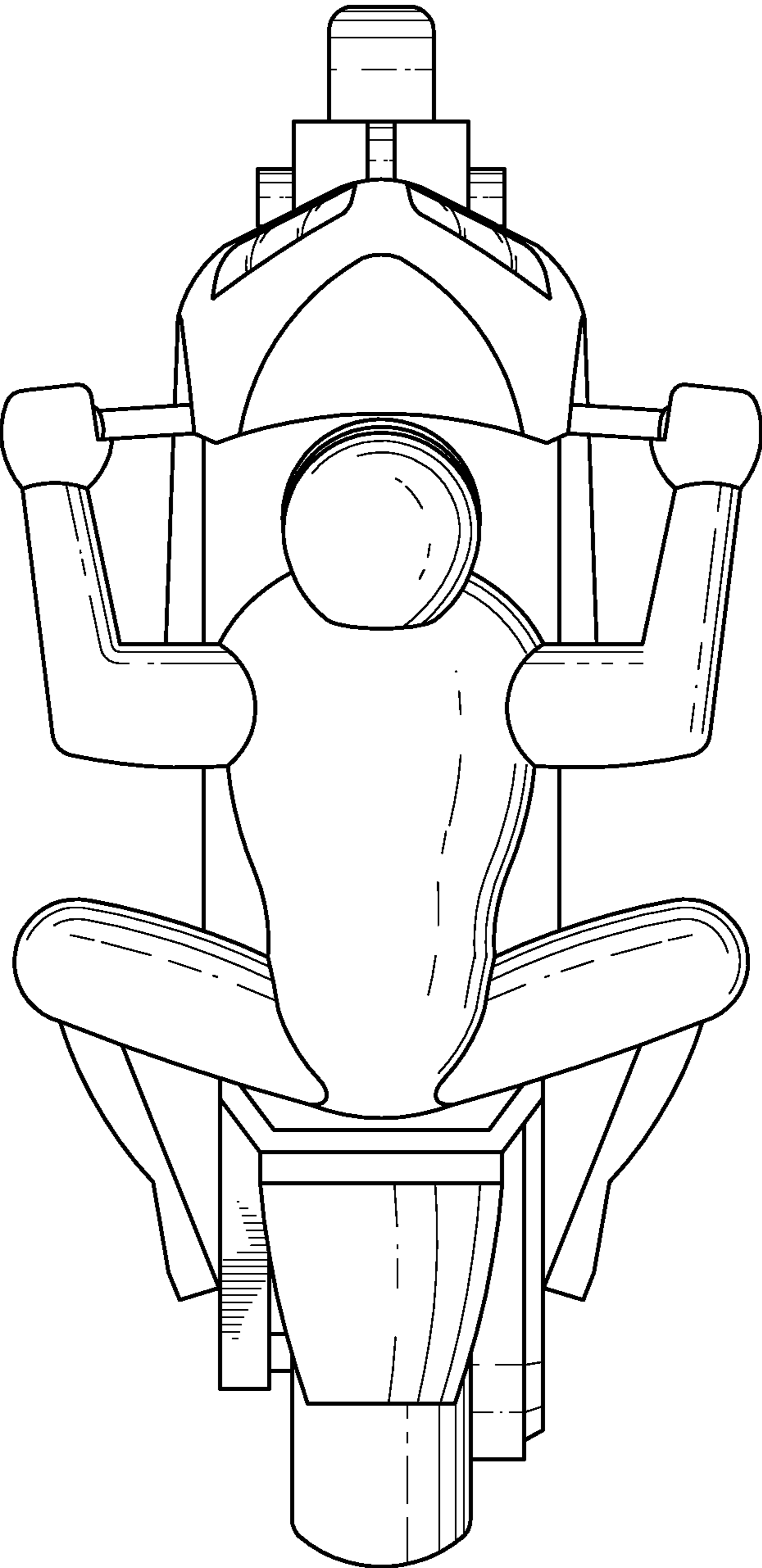


FIG. 5

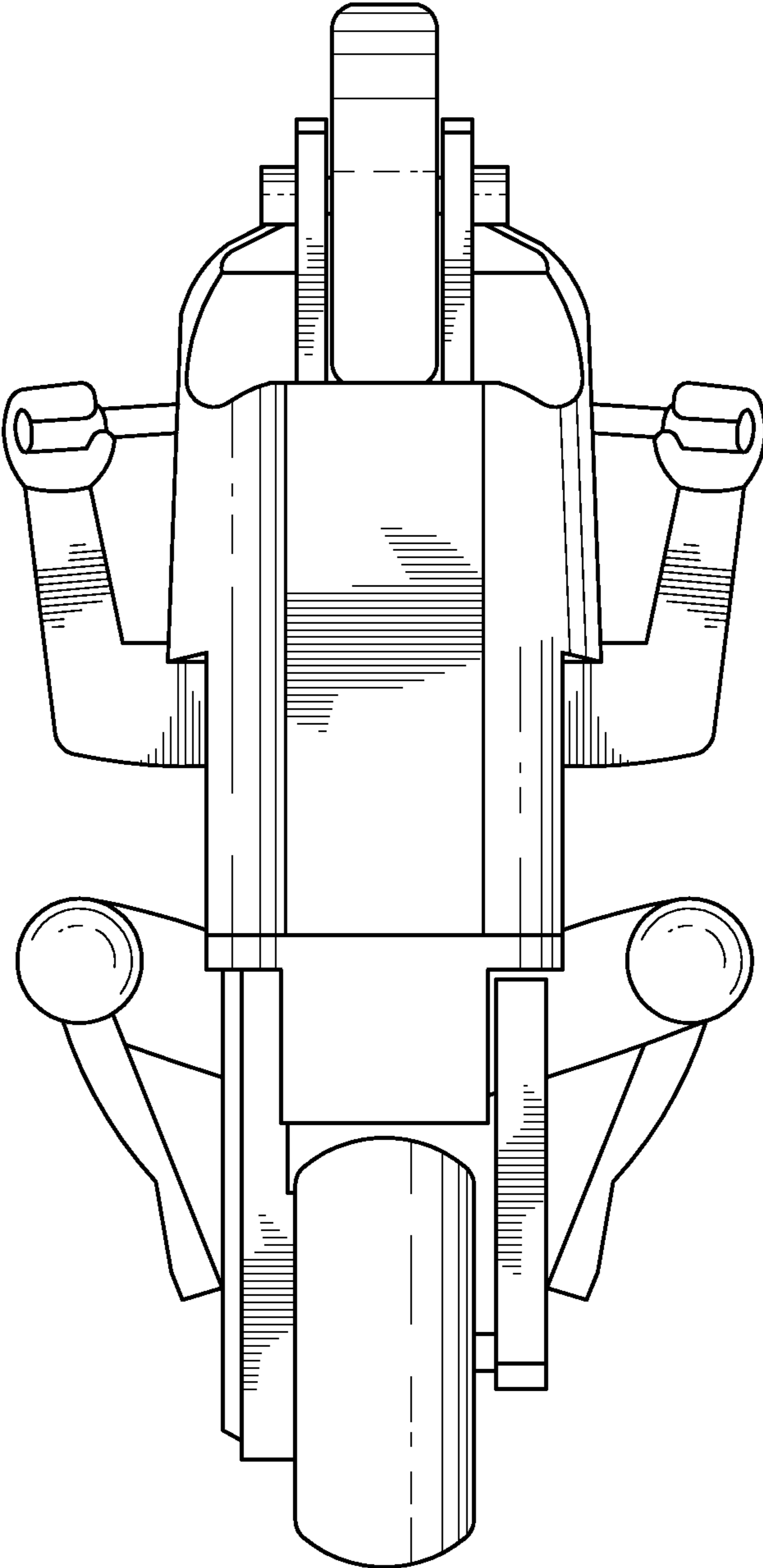


FIG. 6

FIG. 8

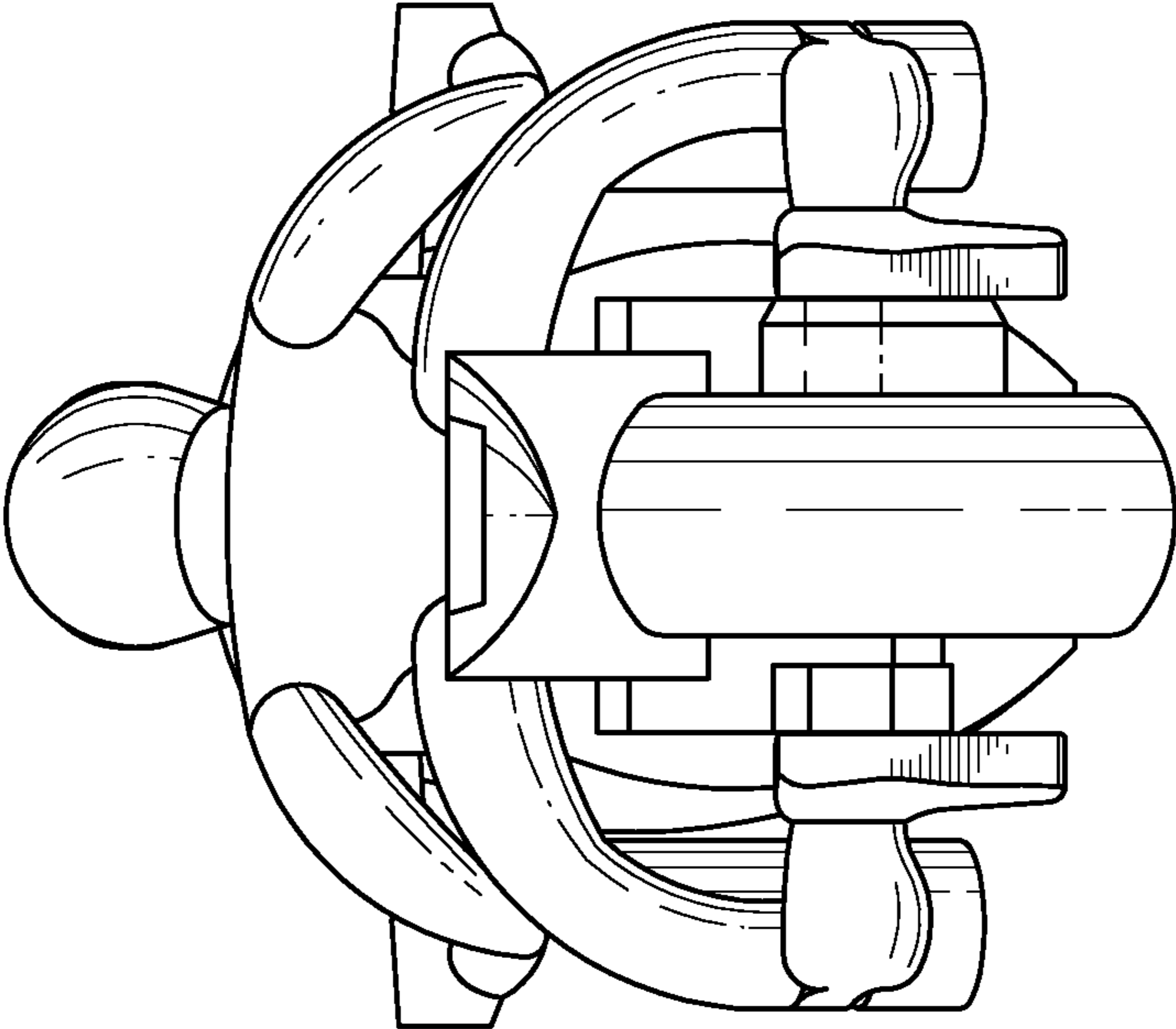


FIG. 7

