



US00D744596S

(12) **United States Design Patent**  
**Young et al.**

(10) **Patent No.:** **US D744,596 S**  
(45) **Date of Patent:** **\*\* Dec. 1, 2015**

(54) **GAME CONTROLLER**

(71) Applicant: **MAD CATZ INTERACTIVE, INC.**,  
San Diego, CA (US)

(72) Inventors: **Andrew Brian Young**, Oakdale (GB);  
**Robert Ian Hall**, Bristol (GB)

(73) Assignee: **MAD CATZ INTERACTIVE, INC.**,  
San Diego, CA (US)

(\*\*) Term: **14 Years**

(21) Appl. No.: **29/507,803**

(22) Filed: **Oct. 30, 2014**

(51) **LOC (10) Cl.** ..... **21-01**

(52) **U.S. Cl.**  
USPC ..... **D21/333; D14/401**

(58) **Field of Classification Search**  
USPC ..... D14/399–401, 412–416, 217, 496;  
D21/324, 333, 328; 273/148 B; 463/1,  
463/29–39, 46, 47; 345/156–161, 905, 30  
CPC ..... A63F 3/00; A63F 7/00; A63F 9/24  
See application file for complete search history.

(56) **References Cited**

**U.S. PATENT DOCUMENTS**

6,231,444 B1 \* 5/2001 Goto ..... A63F 13/06  
273/148 B  
6,342,009 B1 \* 1/2002 Soma ..... A63F 13/06  
273/148 B

D469,437 S \* 1/2003 Hussaini ..... D14/401  
D469,766 S \* 2/2003 Hussaini ..... D14/401  
6,743,100 B1 \* 6/2004 Neiser ..... A63F 13/06  
273/148 B  
6,998,548 B2 \* 2/2006 Huang ..... H01H 9/0214  
200/5 R  
7,063,321 B2 \* 6/2006 Hussaini ..... A63F 13/06  
273/148 B  
D544,924 S \* 6/2007 Meyer ..... D21/328  
D545,317 S \* 6/2007 Wang ..... D14/401  
D608,784 S \* 1/2010 Biheller ..... D14/401  
D672,397 S \* 12/2012 Wai ..... D14/401  
D715,296 S \* 10/2014 Huang ..... D14/401  
D715,362 S \* 10/2014 He ..... D14/401

\* cited by examiner

*Primary Examiner* — Prabhakar Deshmukh

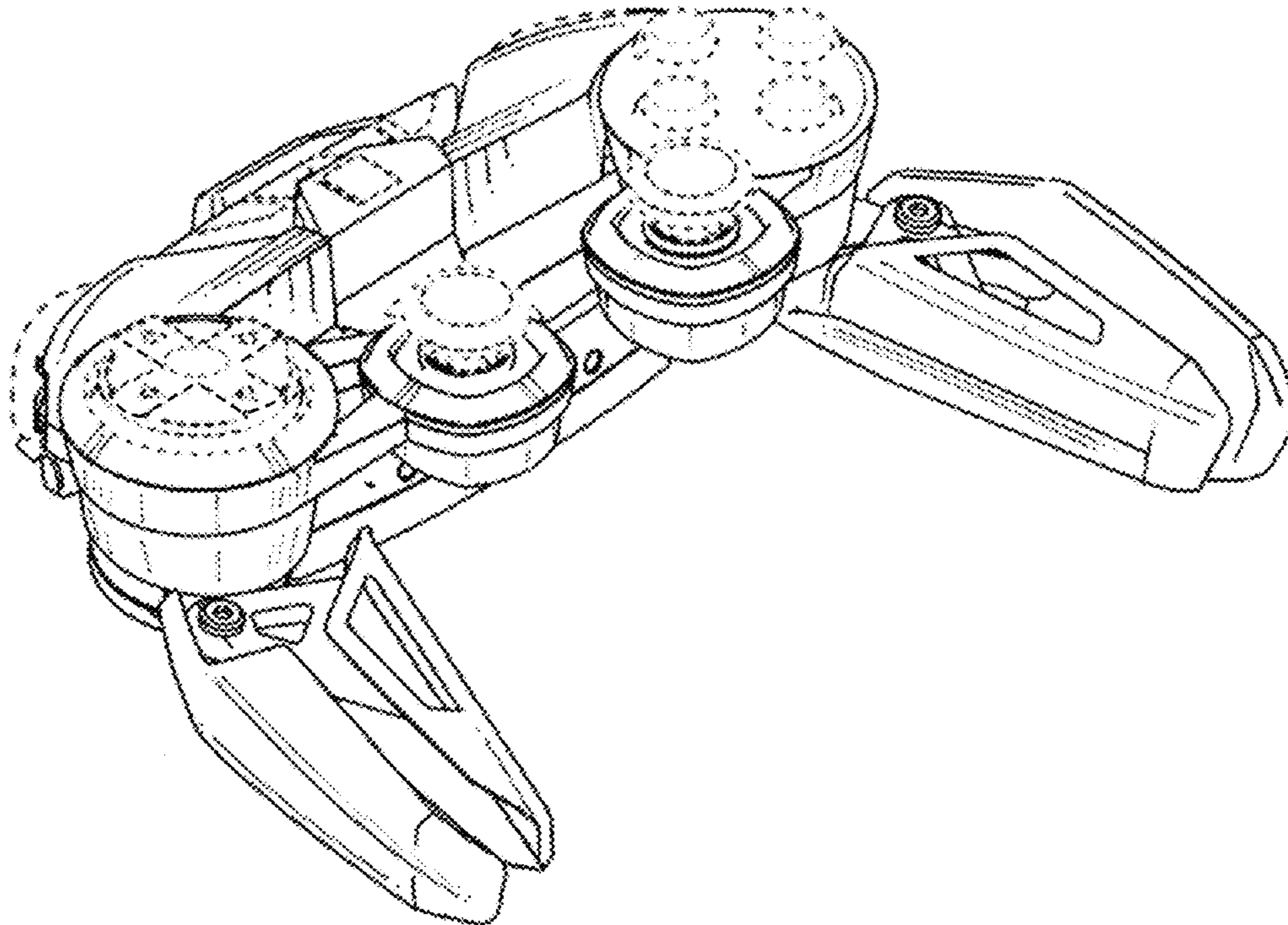
(57) **CLAIM**

The ornamental design for a game controller, as shown and described.

**DESCRIPTION**

FIG. 1 is a first perspective view of a game controller;  
FIG. 2 is a second perspective view thereof;  
FIG. 3 is a front view thereof;  
FIG. 4 is a rear view thereof;  
FIG. 5 is a left side view thereof;  
FIG. 6 is a right side view thereof;  
FIG. 7 is a top view thereof; and,  
FIG. 8 is a bottom view thereof.  
The broken lines in the drawings form no part of the claimed design.

**1 Claim, 8 Drawing Sheets**



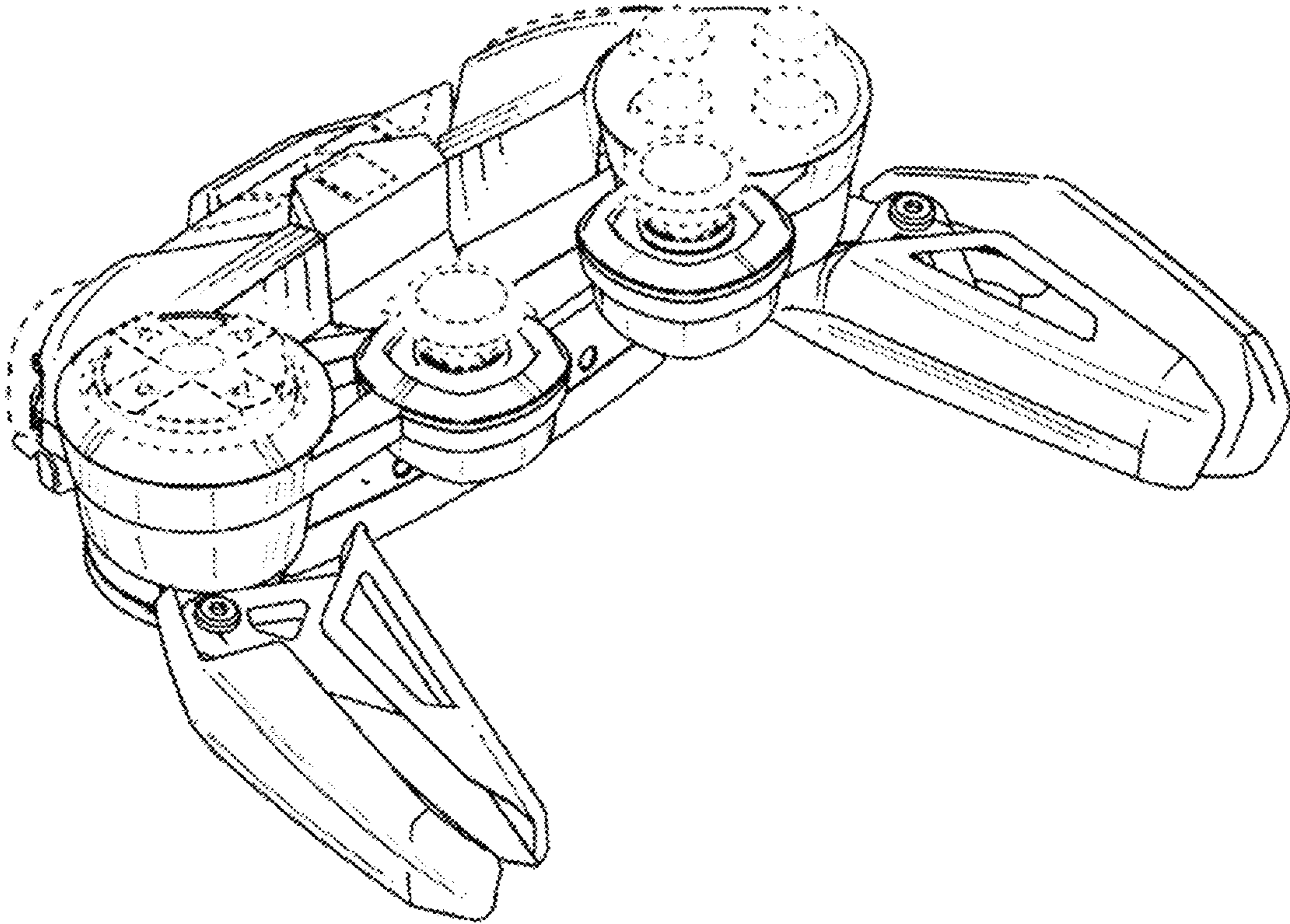


FIG. 1

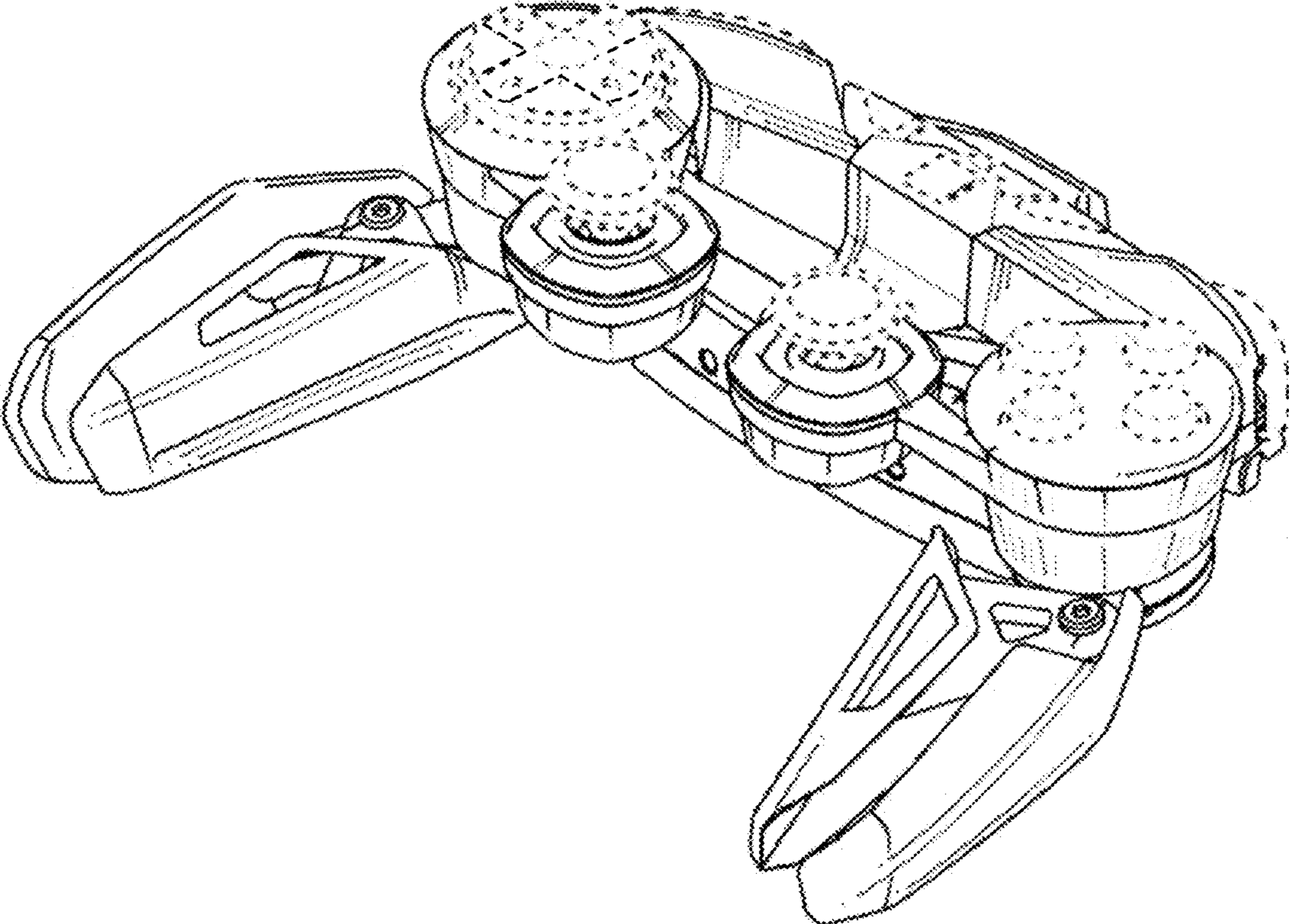


FIG. 2

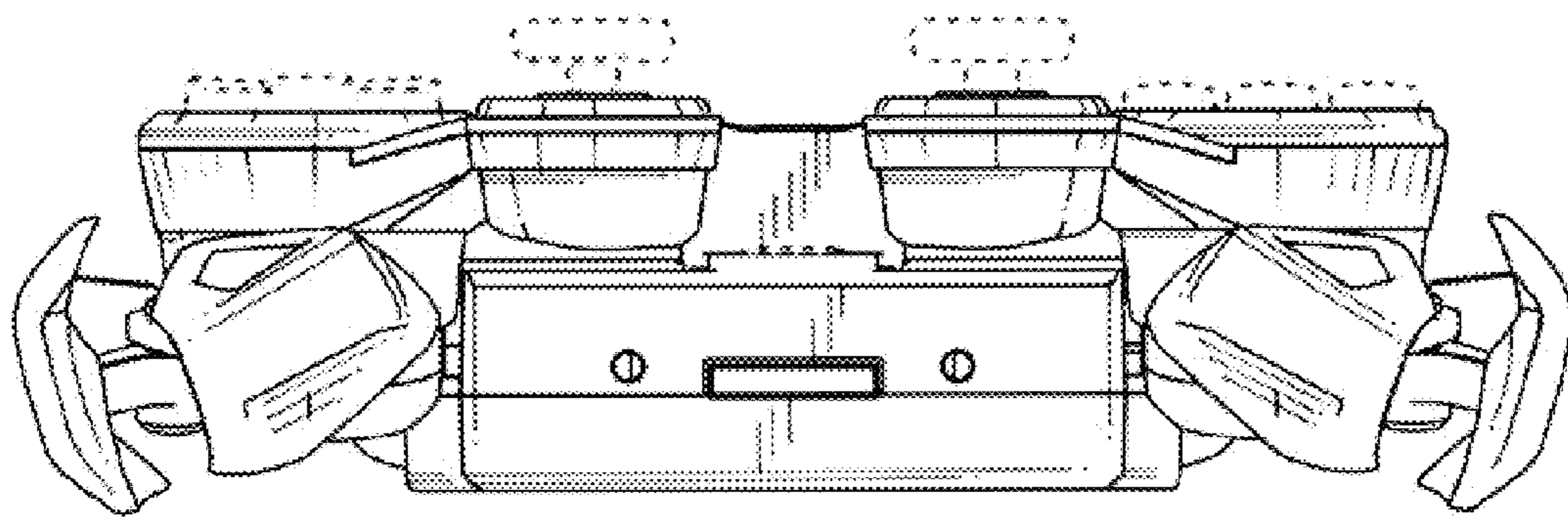


FIG. 3

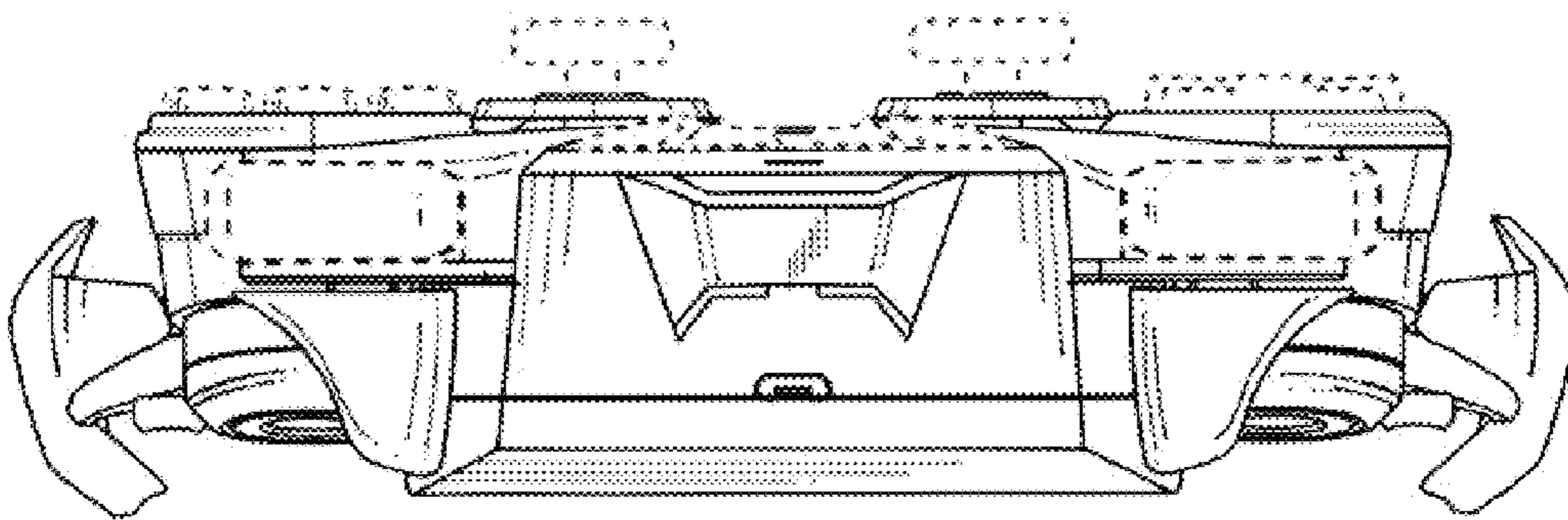


FIG. 4

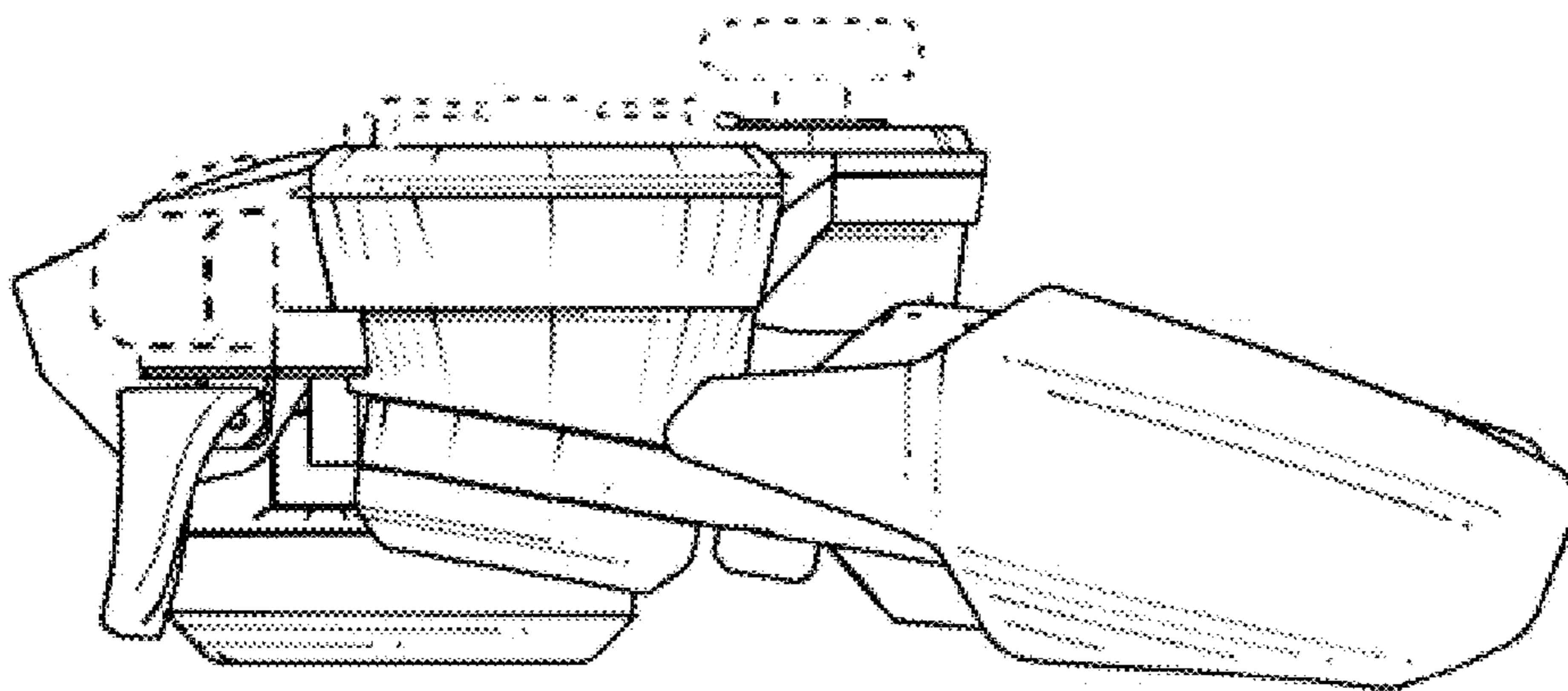


FIG. 5

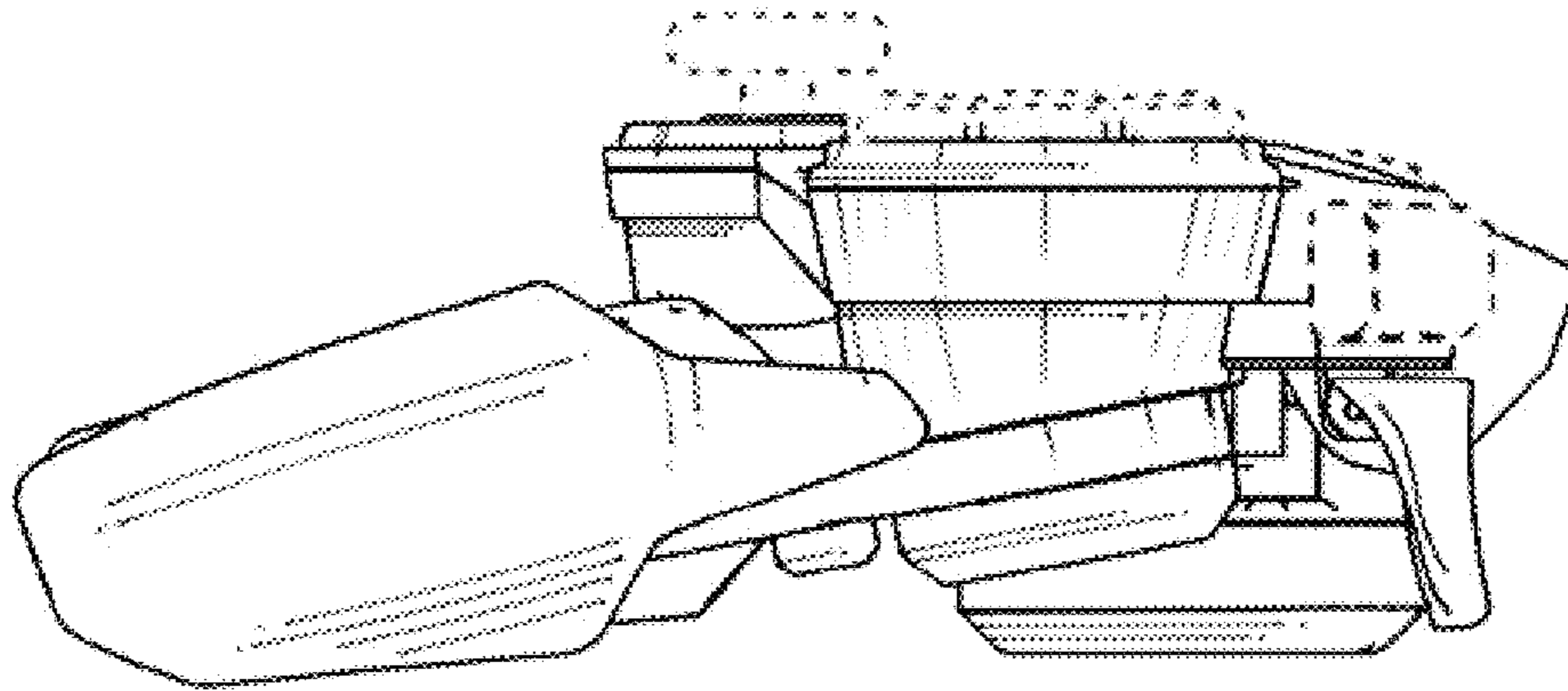


FIG. 6

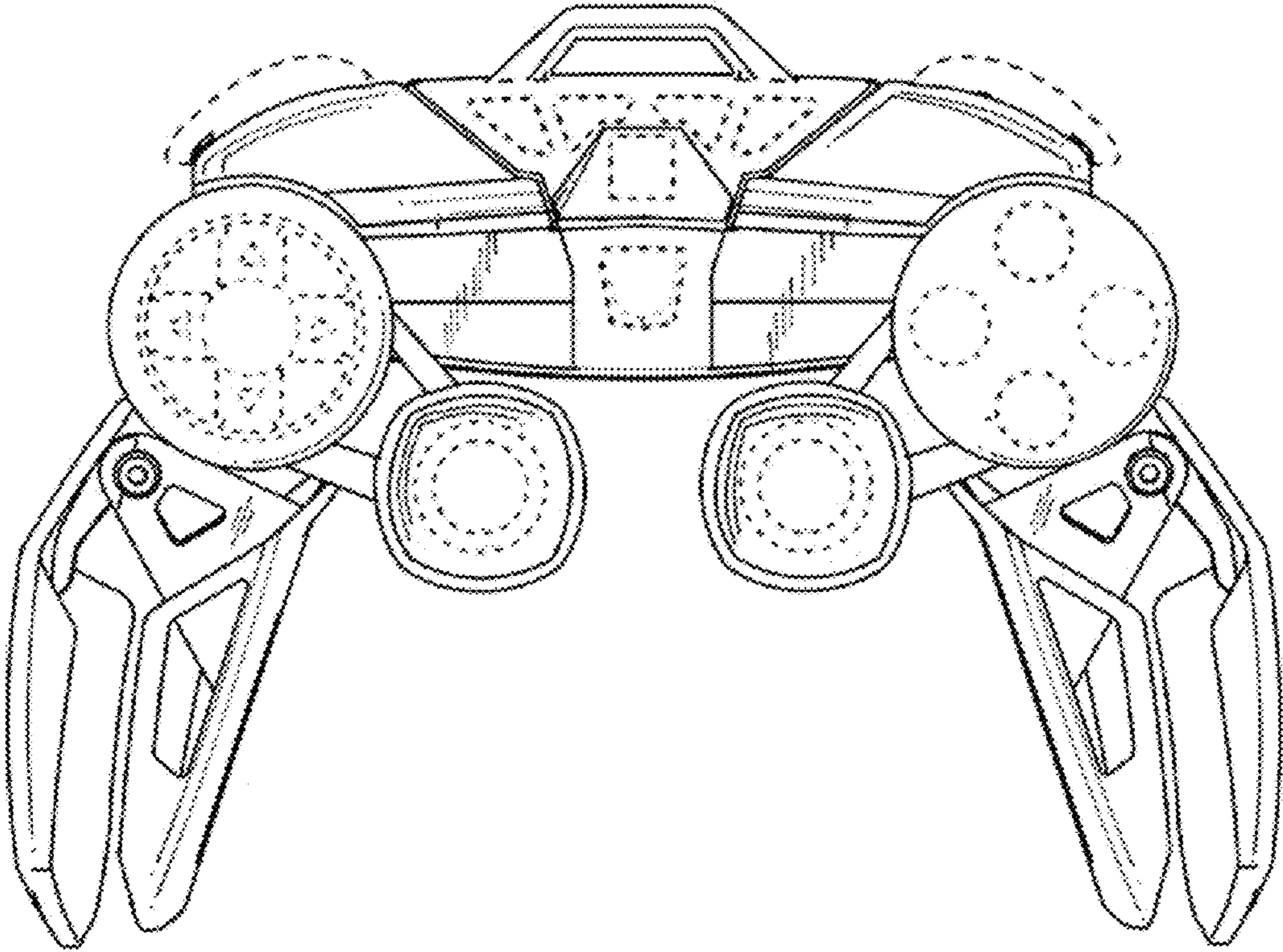


FIG. 7



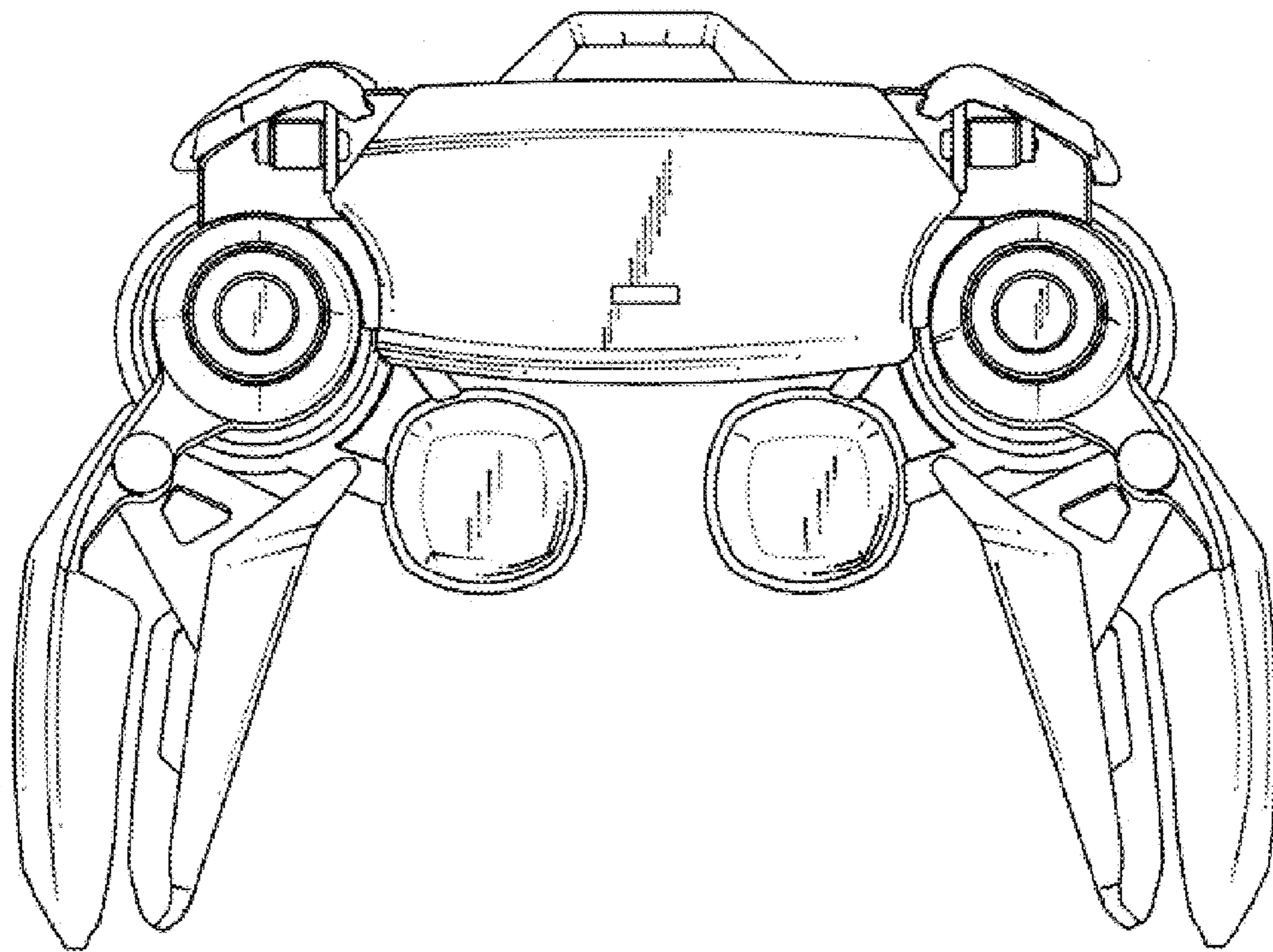


FIG. 8