



US00D744595S

(12) **United States Design Patent**
Chapman et al.

(10) **Patent No.:** **US D744,595 S**

(45) **Date of Patent:** **** Dec. 1, 2015**

(54) **LIGHTED SIGN ENCLOSURE**

(71) Applicants: **David Chapman**, Roseville, CA (US);
Frank Sigrist, Ripon, CA (US)

(72) Inventors: **David Chapman**, Roseville, CA (US);
Frank Sigrist, Ripon, CA (US)

(**) Term: **14 Years**

(21) Appl. No.: **29/465,278**

(22) Filed: **Aug. 26, 2013**

(51) **LOC (10) Cl.** **20-03**

(52) **U.S. Cl.**
USPC **D20/39**

(58) **Field of Classification Search**
USPC D20/10, 17, 19, 29, 42, 40, 43, 99;
D6/308, 310, 515, 553, 575, 579;
40/27, 538, 540-553, 564, 572, 574,
40/446, 489, 568, 573, 581-588, 605,
40/606.01, 607.1, 610, 611.01, 612,
40/615-618, 624; D19/1, 10; D12/193,
D12/196

CPC G09F 13/04; G09F 13/0413; G09F
2013/0445; G09F 13/22

See application file for complete search history.

(56) **References Cited**

U.S. PATENT DOCUMENTS

910,576 A * 1/1909 Randall 229/125.19
1,648,772 A * 11/1927 Lubarsky 40/618
D163,421 S * 5/1951 Rothman D12/193
2,565,575 A * 8/1951 Rosenthal 40/219
2,598,507 A * 5/1952 Cohn 40/618

2,966,754 A * 1/1961 Orkin 40/618
4,322,905 A * 4/1982 Kruse 40/610
4,754,380 A * 6/1988 Wang 362/244
D304,348 S * 10/1989 Dunn D20/10
5,295,050 A * 3/1994 Helstern et al. 362/27
D371,393 S * 7/1996 McMillan D20/42
D430,216 S * 8/2000 Dunn D20/10
6,390,648 B1 * 5/2002 Privas et al. 362/276
D458,969 S * 6/2002 Lakin D20/10
6,557,283 B1 * 5/2003 Canfield 40/564
D489,031 S * 4/2004 Leibman D12/193
D497,648 S * 10/2004 Carlson D20/10
D596,238 S * 7/2009 Huang et al. D20/29
2005/0024856 A1 * 2/2005 Helenowski 362/147

* cited by examiner

Primary Examiner — Karen E Kearney

Assistant Examiner — Nathaniel D Buckner

(74) *Attorney, Agent, or Firm* — Heisler & Associate

(57) **CLAIM**

The ornamental design for a lighted sign enclosure, as shown and described.

DESCRIPTION

FIG. 1 is a front perspective view of a lighted sign enclosure.

FIG. 2 is a left side view of the invention.

FIG. 3 is a right side view of the invention.

FIG. 4 is a front elevation view of the invention.

FIG. 5 is a bottom plan view of the invention, the top plan view being a mirror image.

FIG. 6 is a rear elevation view of the invention; and,

FIG. 7 is a rear perspective view of the invention.

In the drawings, the broken lines illustrate features that form no part of the claimed design.

1 Claim, 2 Drawing Sheets

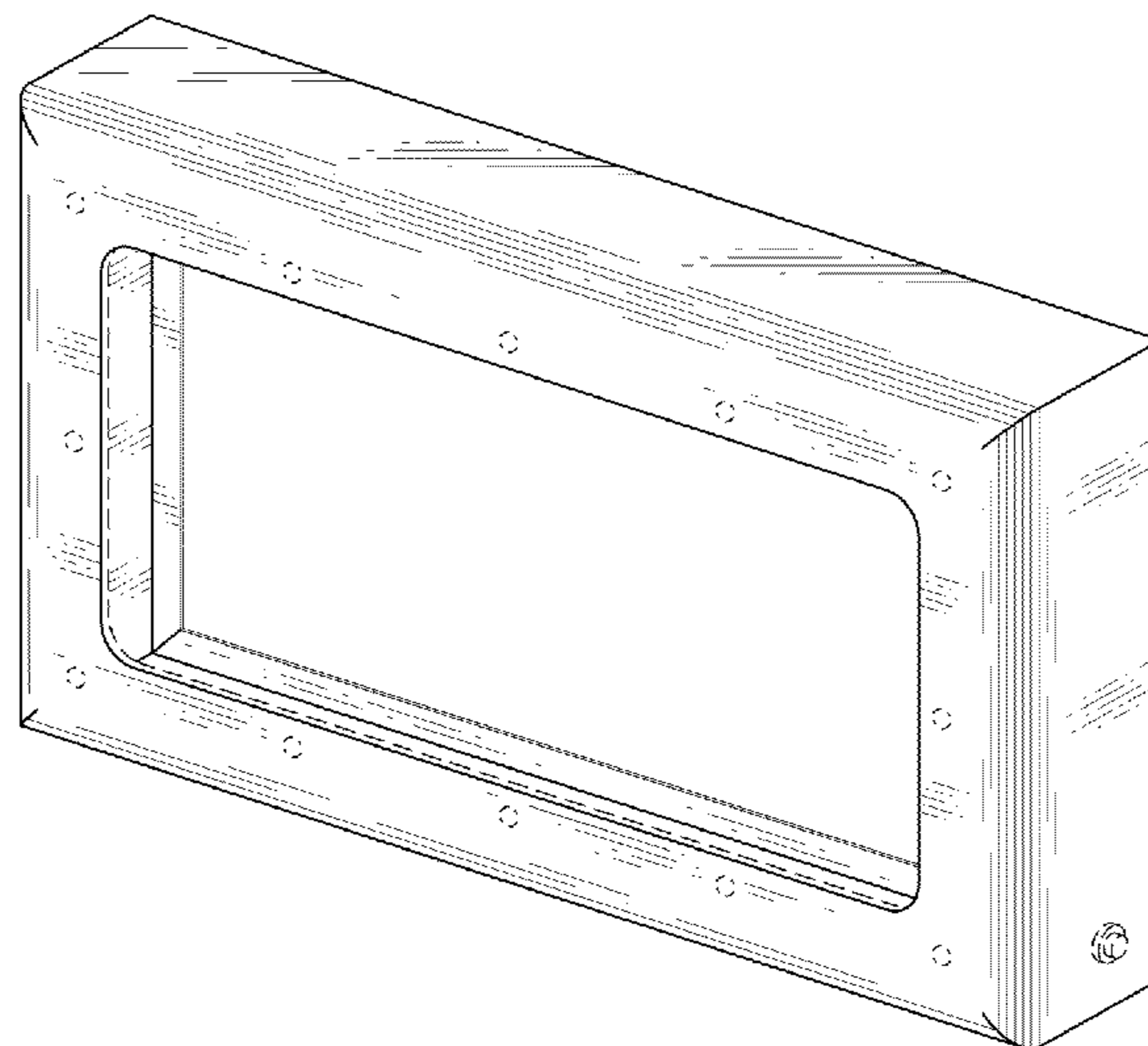


Fig. 1

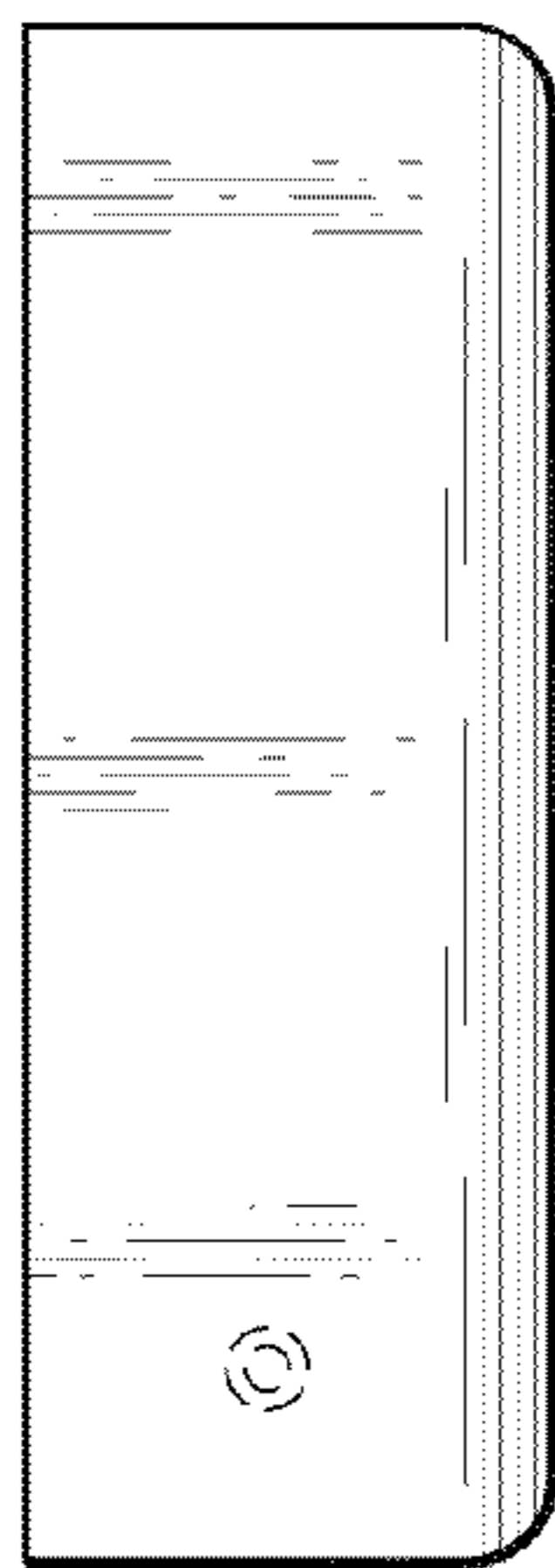
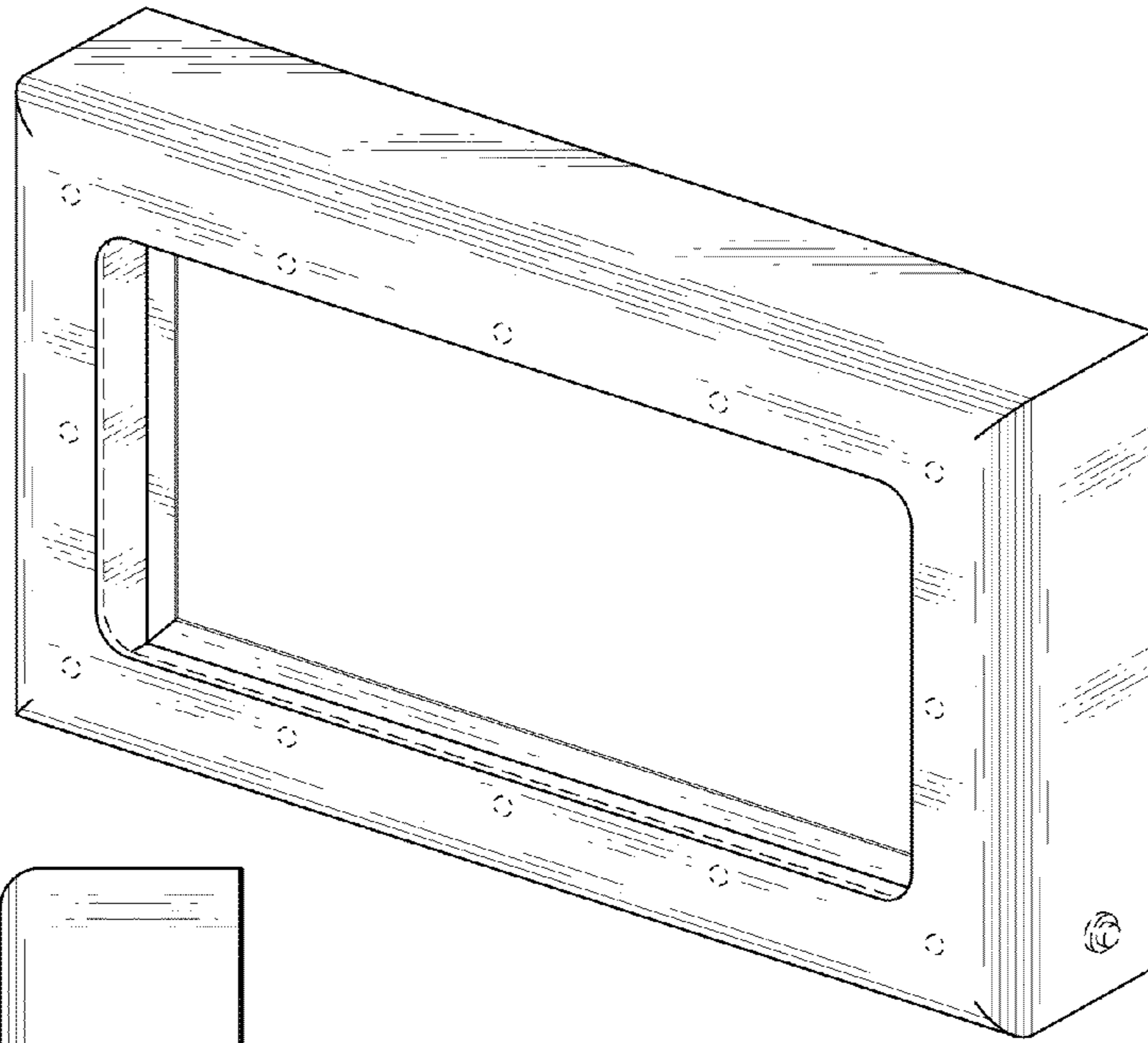


Fig. 2

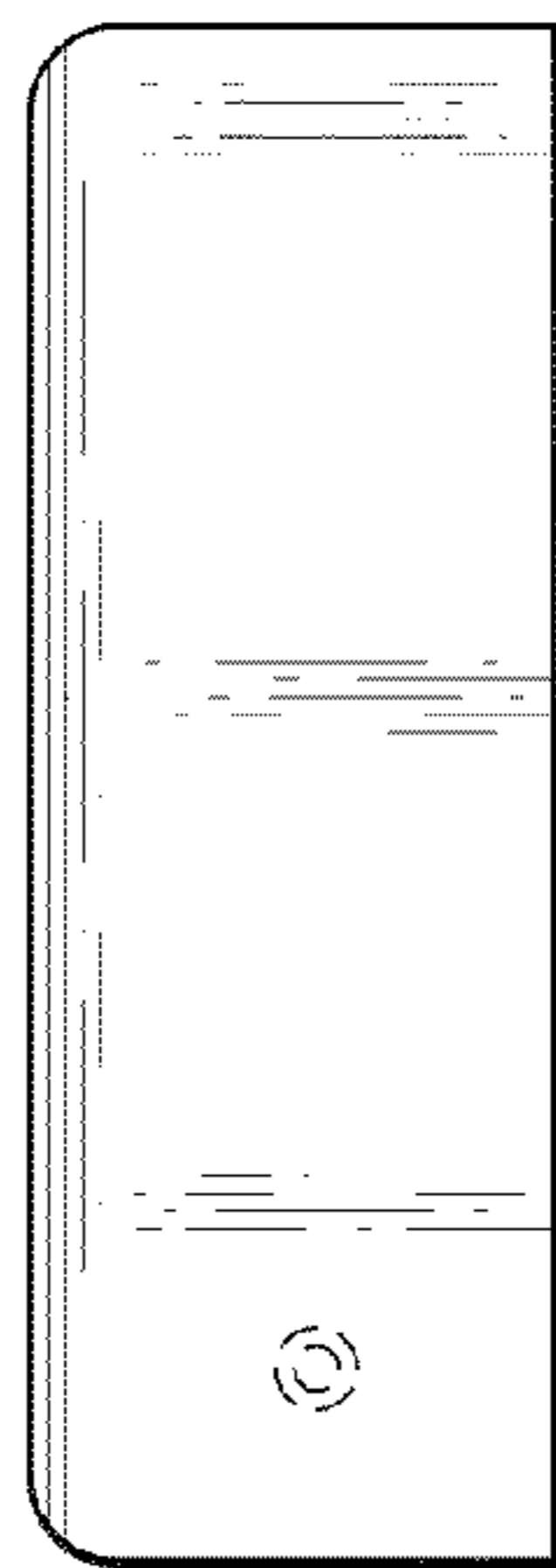


Fig. 3

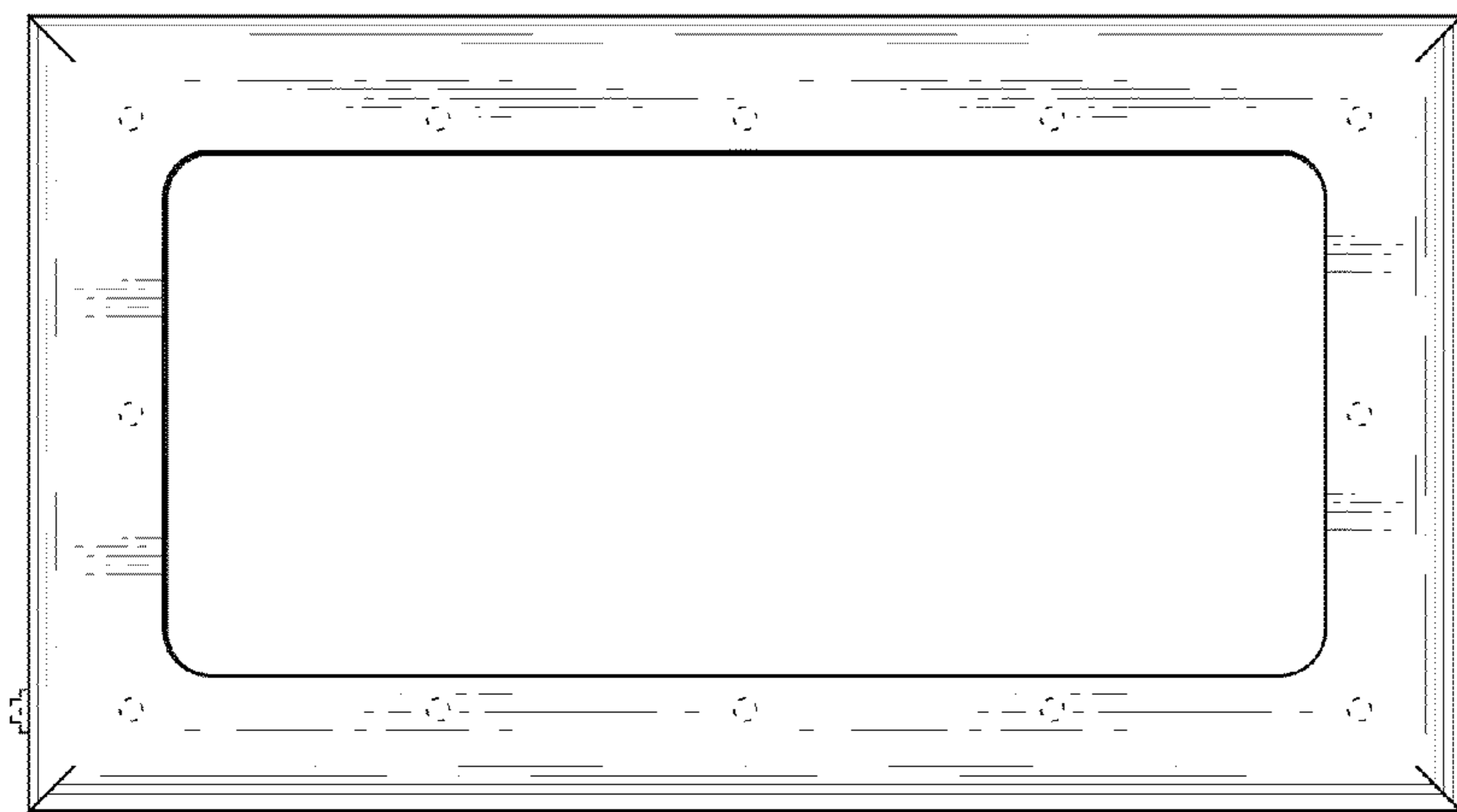


Fig. 4

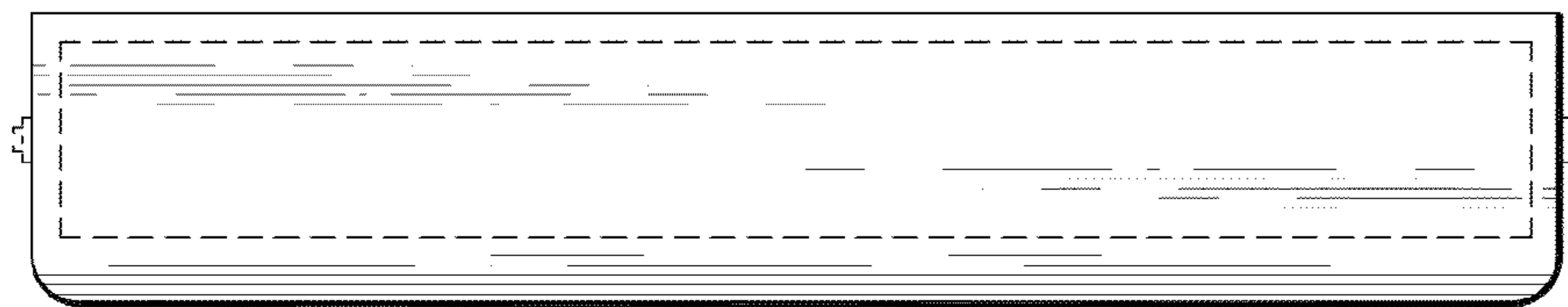


Fig. 5

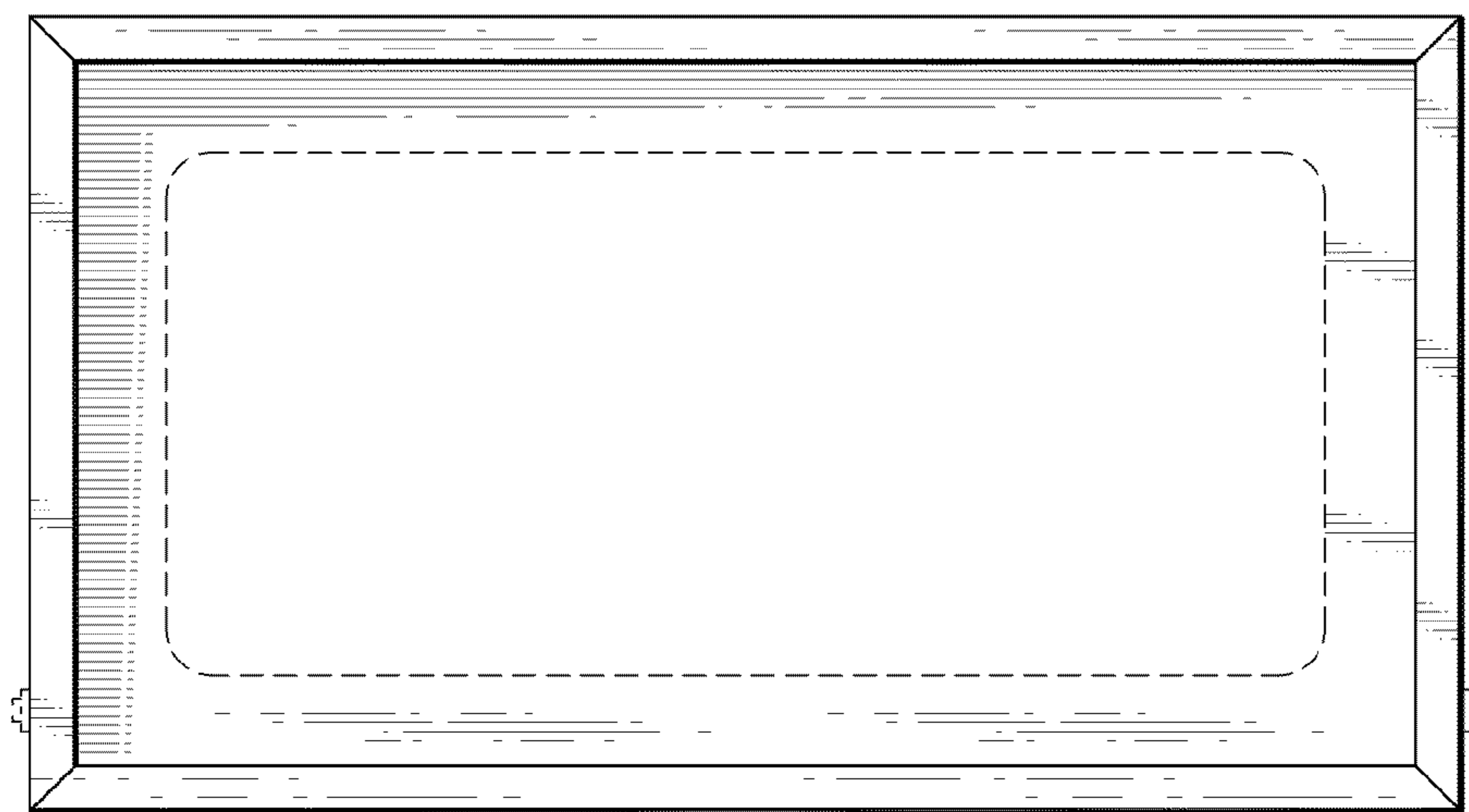


Fig. 6

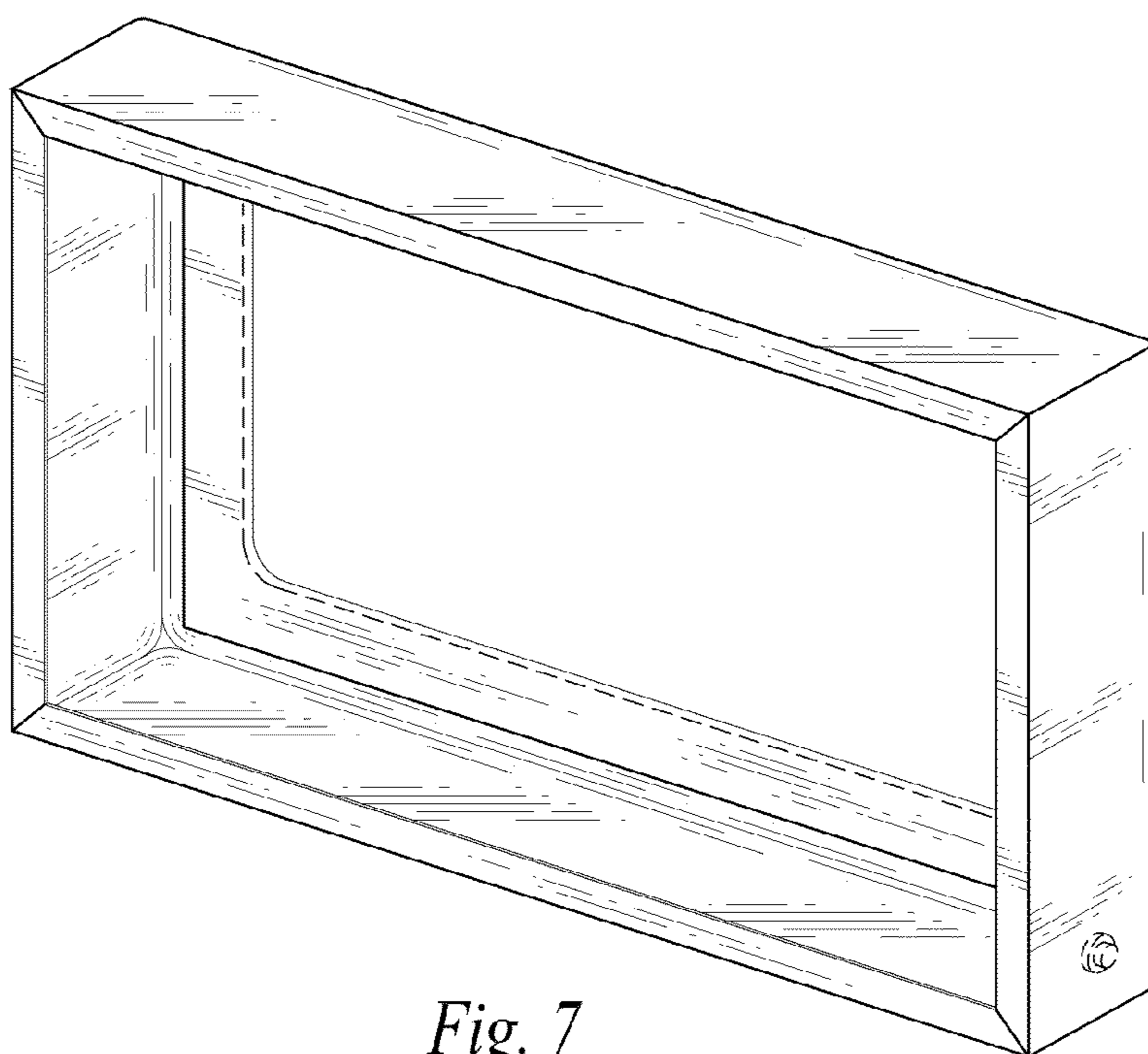


Fig. 7