



US00D744593S

(12) **United States Design Patent**
Dumm et al.

(10) **Patent No.:** **US D744,593 S**

(45) **Date of Patent:** **** Dec. 1, 2015**

(54) **VENDING MACHINE WITH SLIDE**

(56) **References Cited**

(71) Applicant: **Wm. Wrigley Jr. Company**, Chicago, IL (US)

U.S. PATENT DOCUMENTS

(72) Inventors: **Jereme Dumm**, River Forest, IL (US);
David Chesley, Duxbury, MA (US);
Neema Pourian, Chicago, IL (US)

D107,210 S *	11/1937	Behling	D10/88
D402,782 S *	12/1998	Johnson	D99/28
D415,330 S *	10/1999	King	D99/28
D572,955 S *	7/2008	Barcena Zafra	D6/515
D586,598 S *	2/2009	Tefel et al.	D6/515
D597,138 S *	7/2009	Herndon et al.	D20/2
D604,973 S *	12/2009	Morrison et al.	D6/515
D691,204 S *	10/2013	d'Amore et al.	D20/1
2008/0128445 A1 *	6/2008	Huang et al.	221/7

(73) Assignee: **WM. WRIGLEY JR. COMPANY**, Chicago, IL (US)

* cited by examiner

(**) Term: **14 Years**

Primary Examiner — Mary Ann Calabrese

(21) Appl. No.: **29/449,962**

(74) *Attorney, Agent, or Firm* — Rebecca A. Aumann

(22) Filed: **Mar. 15, 2013**

(57) **CLAIM**

The ornamental design for vending machine with slide, as shown and described.

(51) **LOC (10) Cl.** **20-01**

DESCRIPTION

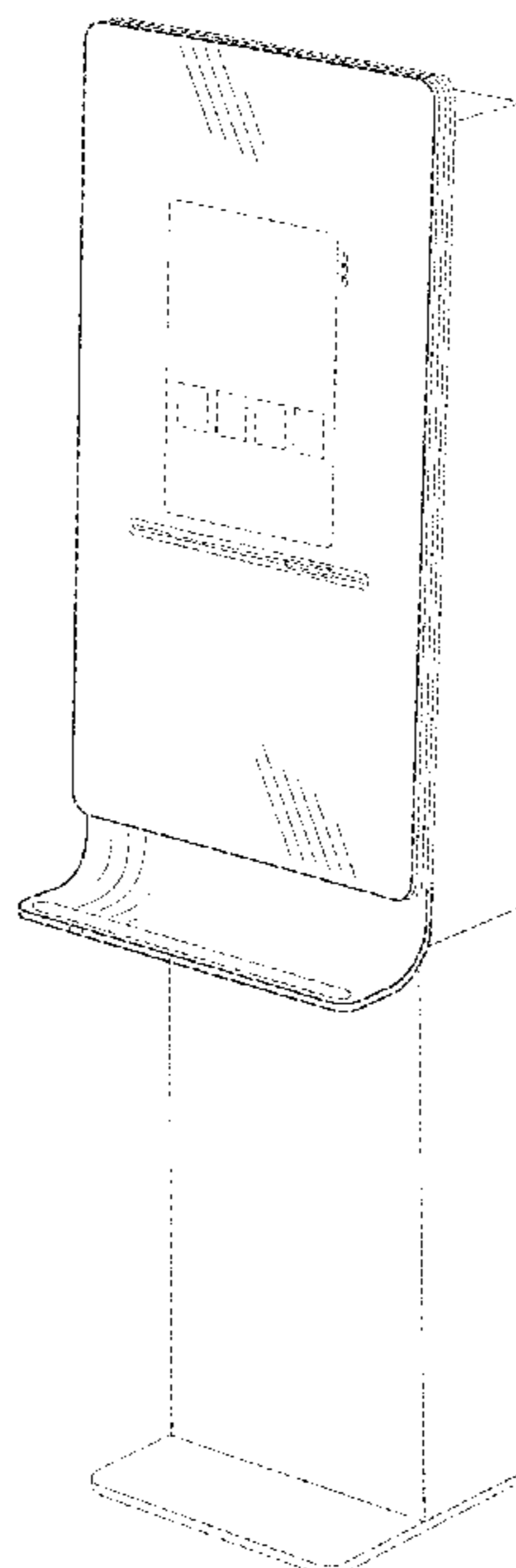
(52) **U.S. Cl.**
USPC **D20/8**

(58) **Field of Classification Search**
USPC D20/1-9; 221/2, 6, 9, 12, 13, 76, 81,
221/96, 110, 123, 124, 140, 150 R, 150 A,
221/150 HC, 155, 156, 159, 190, 213, 231,
221/251, 311; D99/28; D6/515;
D7/305-312; D15/89; 194/236, 239,
194/350
CPC G07F 9/02; G07F 9/026; G07F 9/06;
G07F 11/00; G07F 11/06; G07F 11/24;
G07F 11/62; G07F 11/165; G07F 13/00;
G07F 13/10; G07F 17/42

FIG. 1 is a perspective view of a vending machine front panel and slide.
FIG. 2 is a front view of the vending machine front panel and slide of FIG. 1.
FIG. 3 is a rear view of the vending machine front panel and slide of FIG. 1.
FIG. 4 is a right side view of the vending machine front panel and slide of FIG. 1.
FIG. 5 is a left side view of the vending machine front panel and slide of FIG. 1.
FIG. 6 is a top view of the vending machine front panel and slide of FIG. 1; and,
FIG. 7 is a bottom view of the vending machine front panel and slide of FIG. 1.
In the drawings, the broken lines illustrate environment and form no part of the claimed design.

See application file for complete search history.

1 Claim, 4 Drawing Sheets



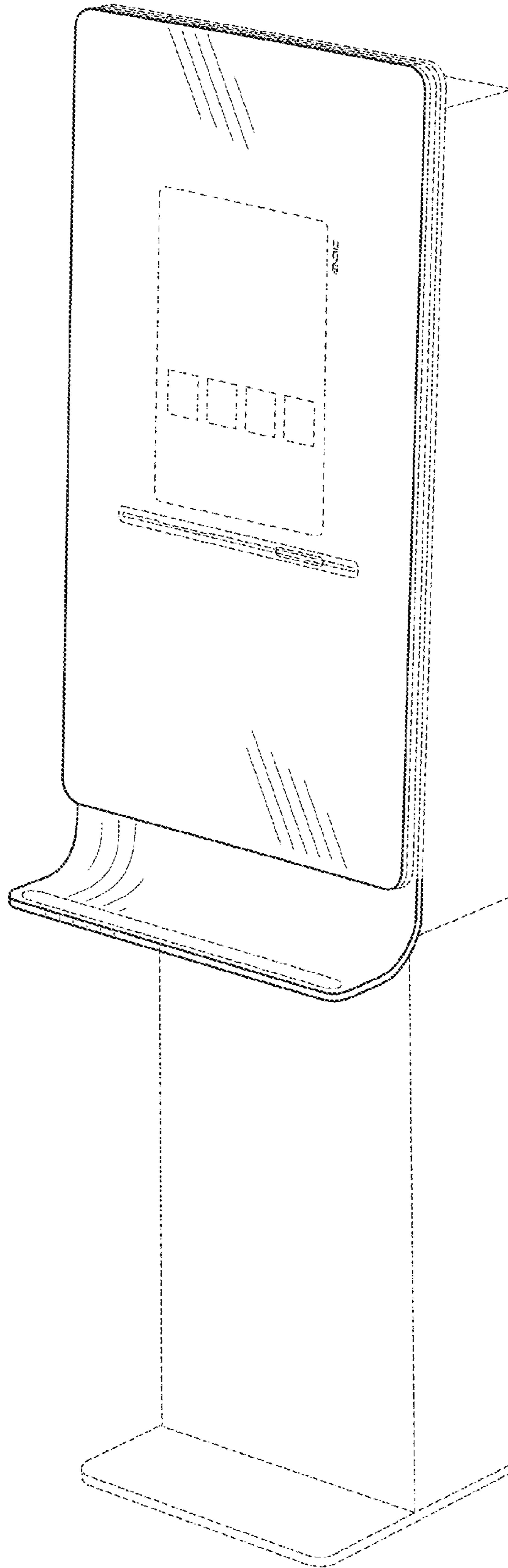


FIG. 1

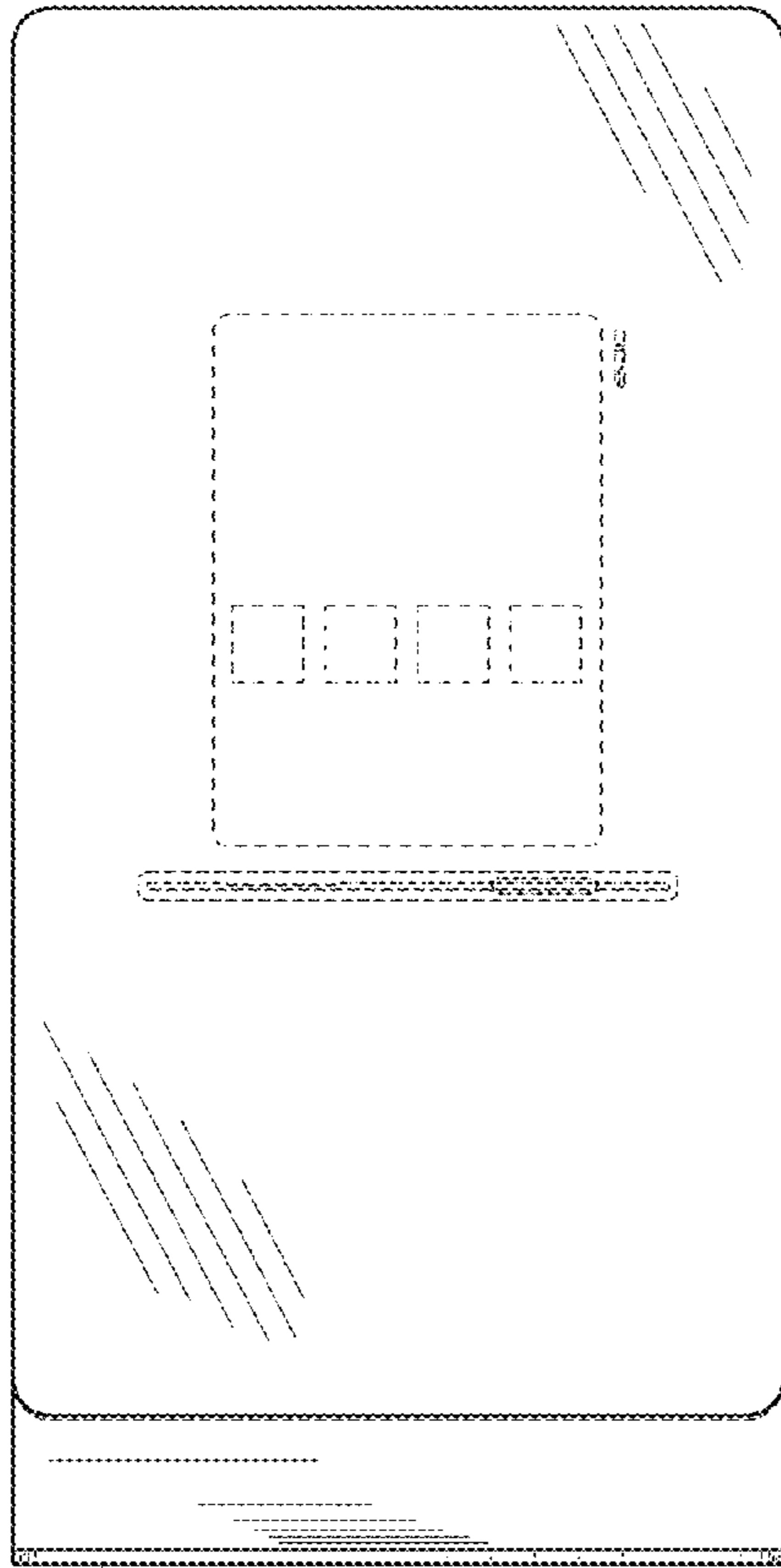


FIG. 2

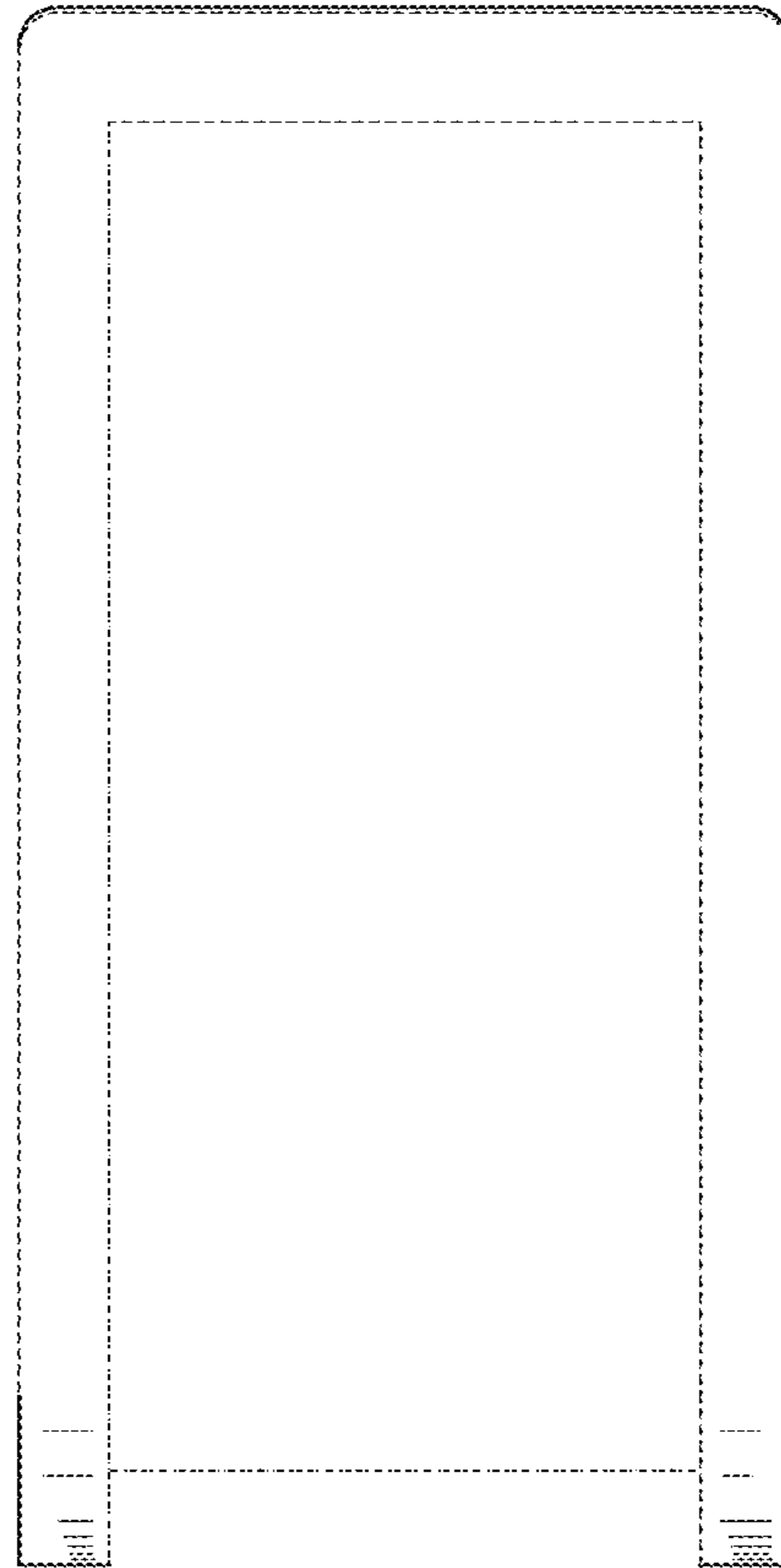
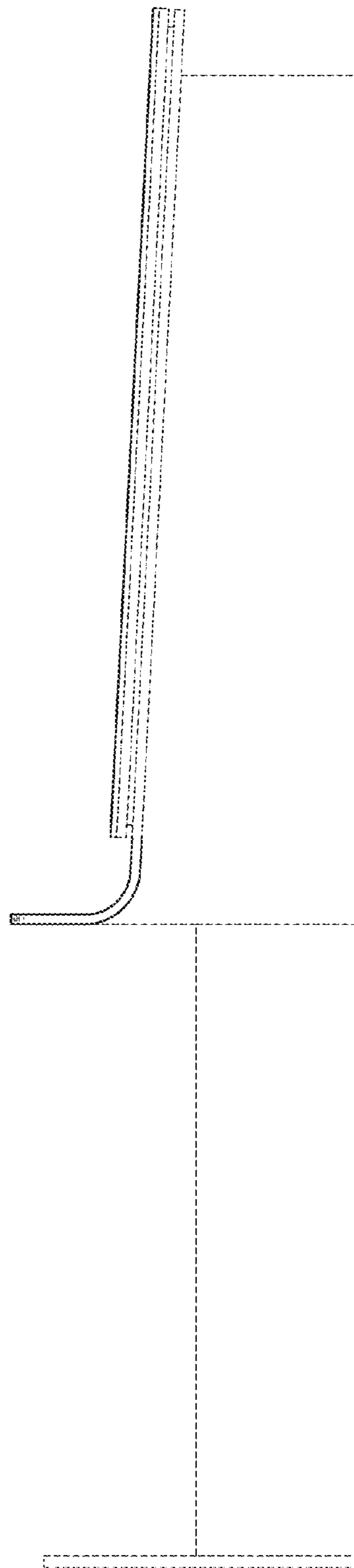
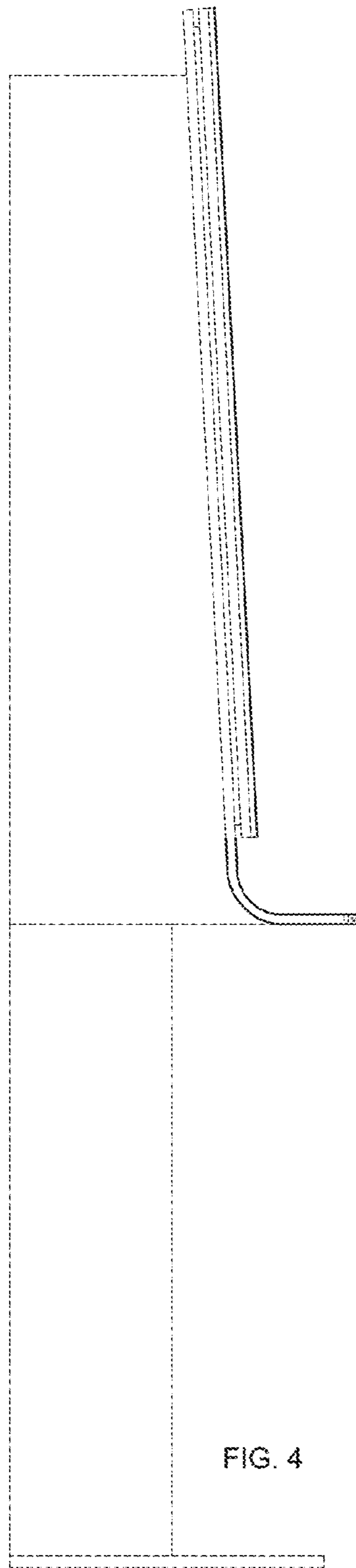


FIG. 3



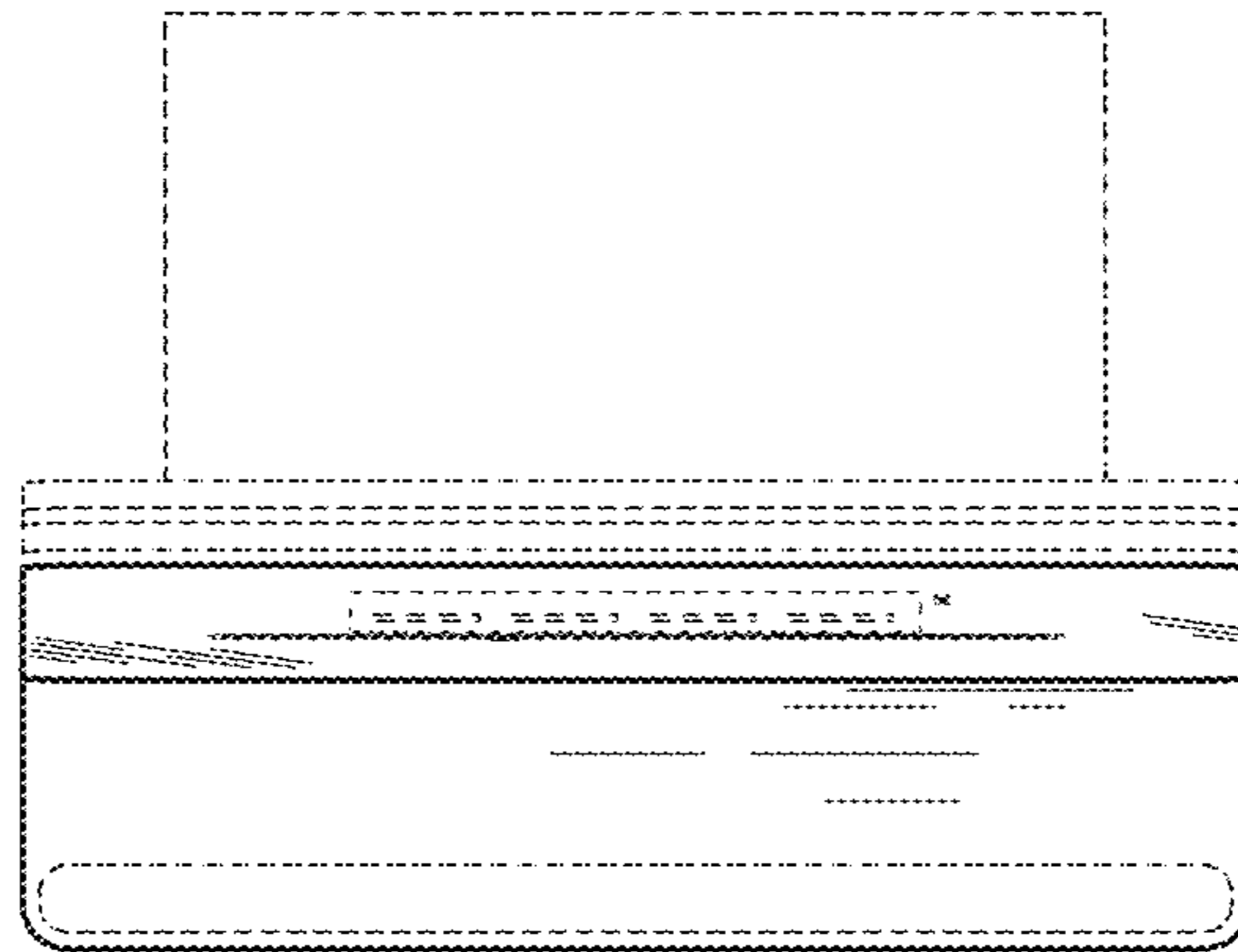


FIG. 6

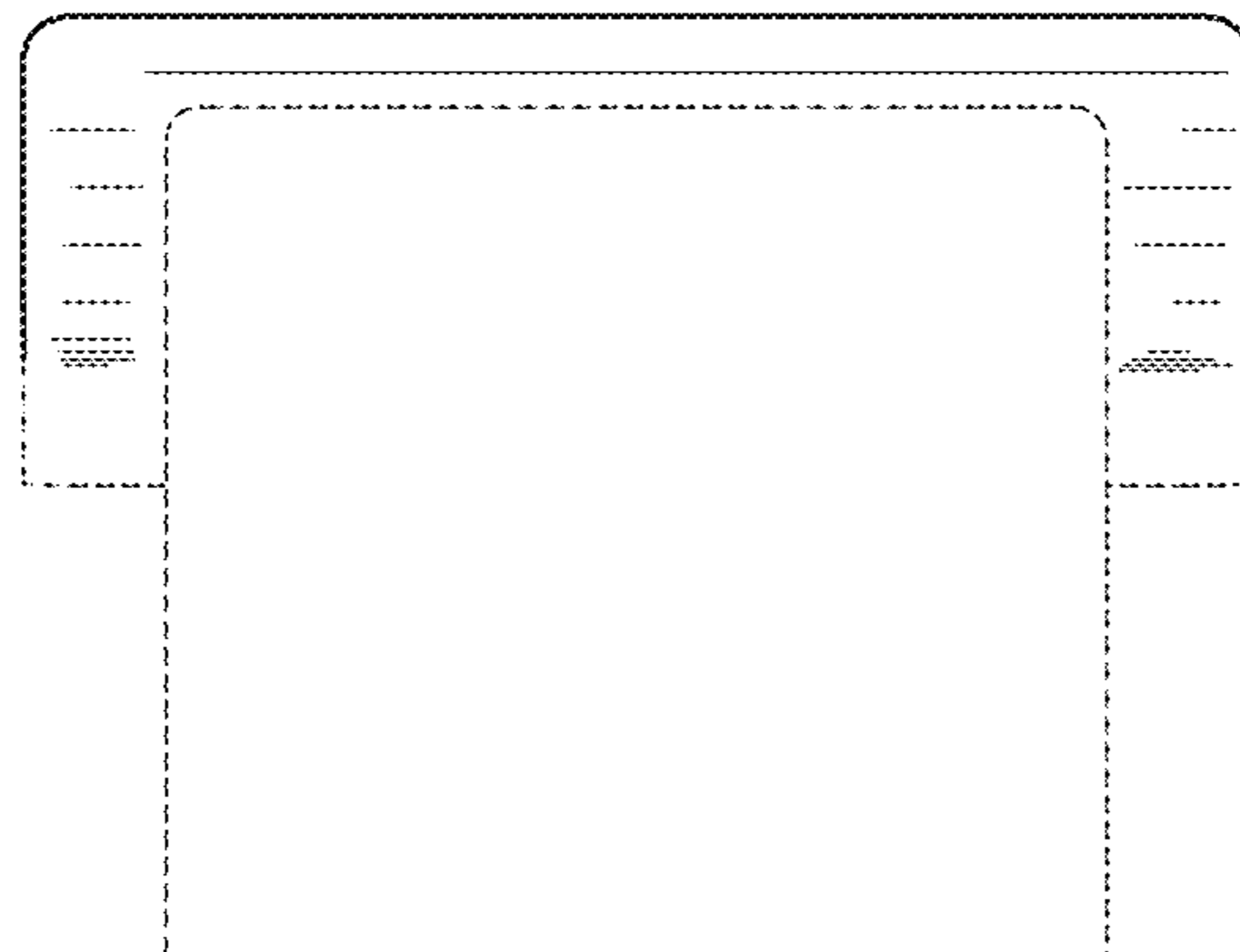


FIG. 7