



US00D744592S

(12) **United States Design Patent**
Morimoto

(10) **Patent No.:** **US D744,592 S**

(45) **Date of Patent:** **** *Dec. 1, 2015**

(54) **MARKING PEN**

(71) Applicant: **Makiko Morimoto**, Nara (JP)

(72) Inventor: **Makiko Morimoto**, Nara (JP)

(73) Assignee: **KURETAKE CO., LTD.**, Nara (JP)

(*) Notice: This patent is subject to a terminal disclaimer.

(**) Term: **14 Years**

(21) Appl. No.: **29/492,942**

(22) Filed: **Jun. 4, 2014**

Related U.S. Application Data

(62) Division of application No. 29/447,209, filed on Mar. 1, 2013, now Pat. No. Des. 711,471.

(30) **Foreign Application Priority Data**

Nov. 15, 2012 (JP) 2012-027945
Nov. 15, 2012 (JP) 2012-027946
Nov. 15, 2012 (JP) 2012-027947

(51) **LOC (10) Cl.** **19-06**

(52) **U.S. Cl.**
USPC **D19/200**

(58) **Field of Classification Search**
USPC D14/411; D19/115-186, 192-204;
24/11 F, 11 P, 11 R; 401/52, 99-104,
401/192, 195, 196, 198, 261, 264, 266
CPC B43K 1/12; B43K 8/024; A45D 34/04;
B65D 47/42

See application file for complete search history.

(56) **References Cited**

U.S. PATENT DOCUMENTS

1,924,337 A * 8/1933 Troupa 15/244.1
1,942,283 A * 1/1934 Hale 15/105.51

2,217,439	A *	10/1940	Fuller	15/188
2,219,909	A *	10/1940	Schlicker	132/317
2,874,826	A *	2/1959	Matthews et al.	206/522
3,314,584	A *	4/1967	Knapp et al.	206/586
5,657,955	A *	8/1997	Adams	248/345.1
6,086,286	A *	7/2000	Loarie et al.	404/7
6,648,545	B1 *	11/2003	Loarie et al.	404/7
6,805,241	B2 *	10/2004	Smith	206/592
7,503,716	B2 *	3/2009	Herrmann et al.	401/52
7,886,898	B2 *	2/2011	Tsakiris	206/77.1
8,236,114	B2 *	8/2012	Gangl	156/40
8,303,202	B1 *	11/2012	Garcia	401/52
2010/0021228	A1 *	1/2010	Yamamoto et al.	401/196
2012/0160261	A1 *	6/2012	Harden	132/311

* cited by examiner

Primary Examiner — Elizabeth Albert

(74) *Attorney, Agent, or Firm* — Andrew F. Young, Esq.;
Lackebach Siegel, LLP

(57) **CLAIM**

The ornamental design for a marking pen, as shown and described.

DESCRIPTION

FIG. 1 is a front perspective view of a marking pen showing my new design.

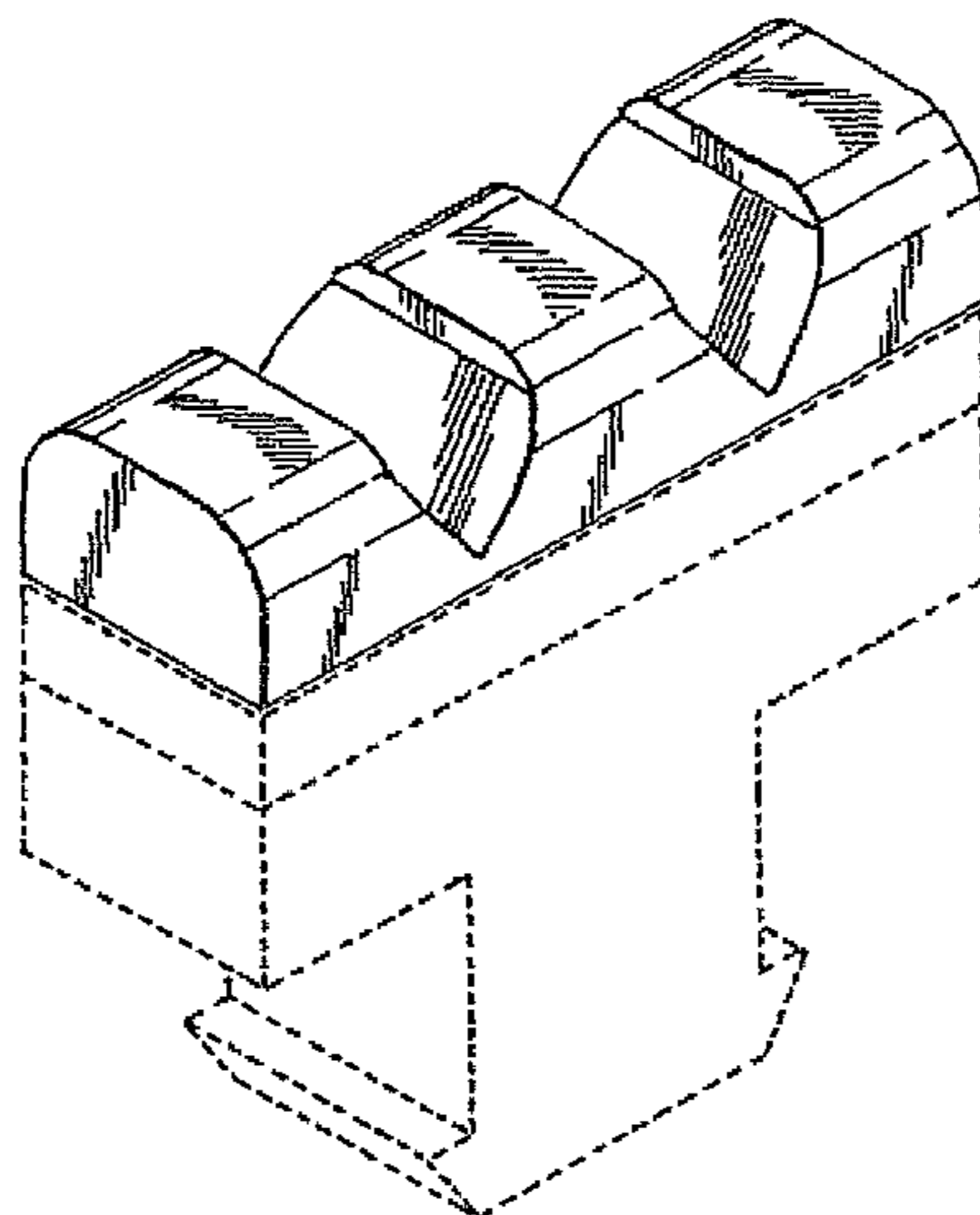
FIG. 2 is a front elevation view of FIG. 1, a back elevation view being a mirror image thereof.

FIG. 3 is a left side elevation view of FIG. 1, a right side elevation view being a mirror image thereof; and,

FIG. 4 is a top plan view of FIG. 1.

The broken lines in the drawings are included to show portions of the marking pen that form no part of the claimed design.

1 Claim, 1 Drawing Sheet



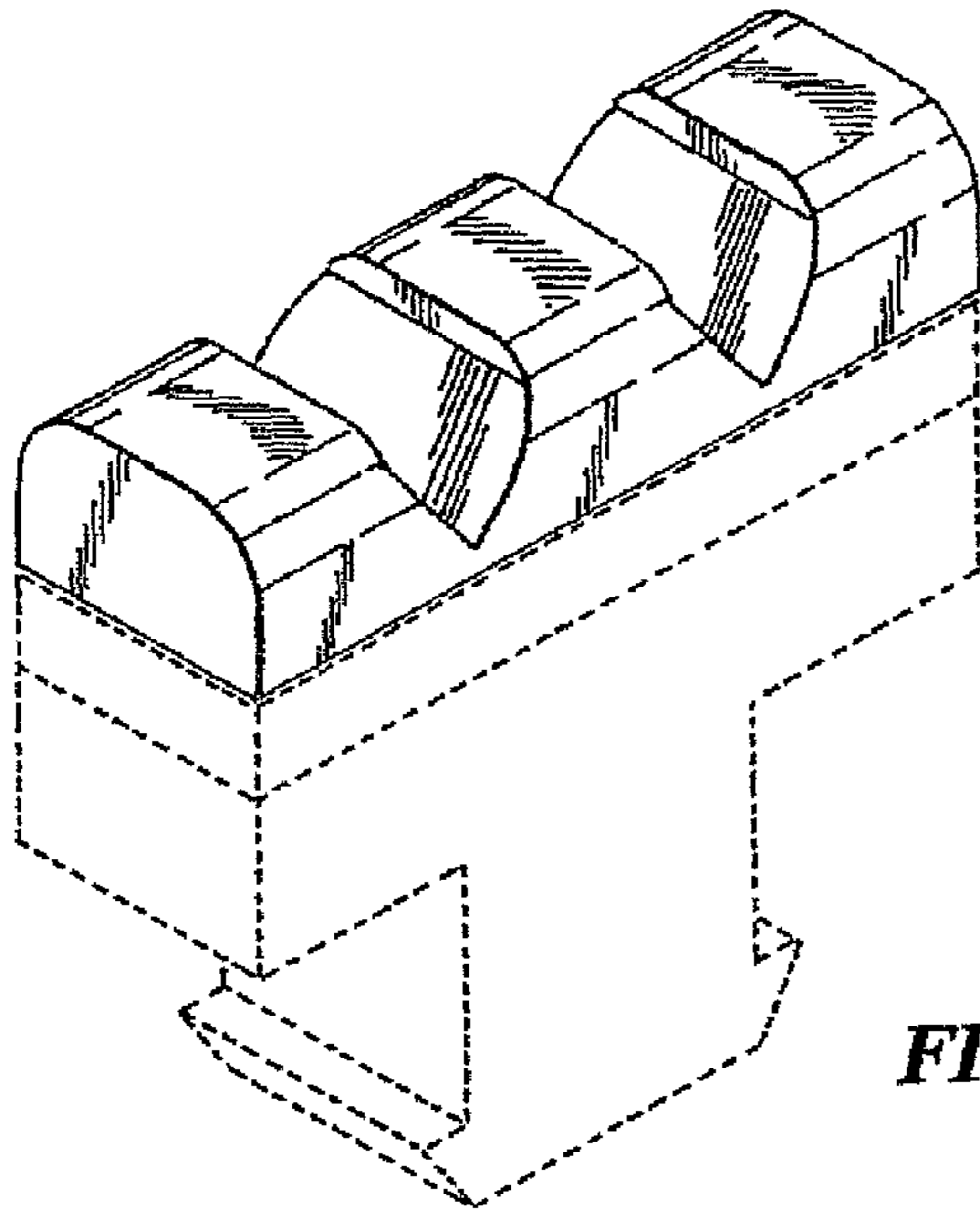


FIG. 1

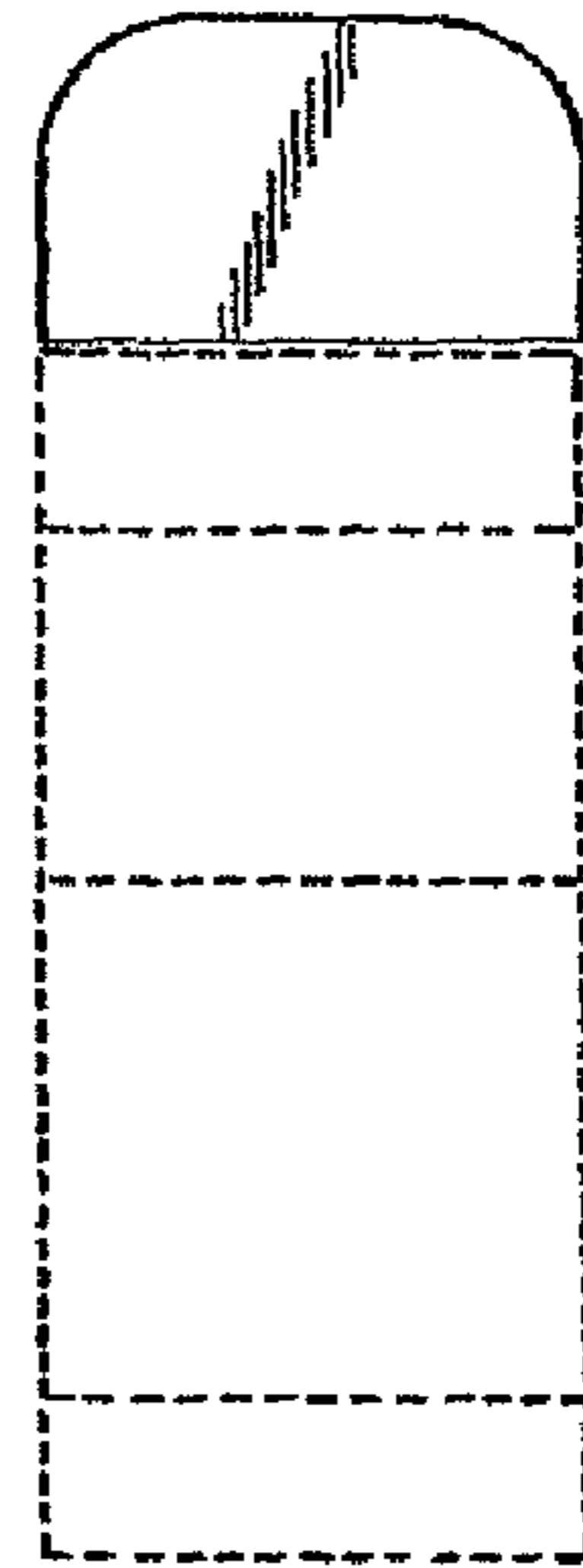


FIG. 3

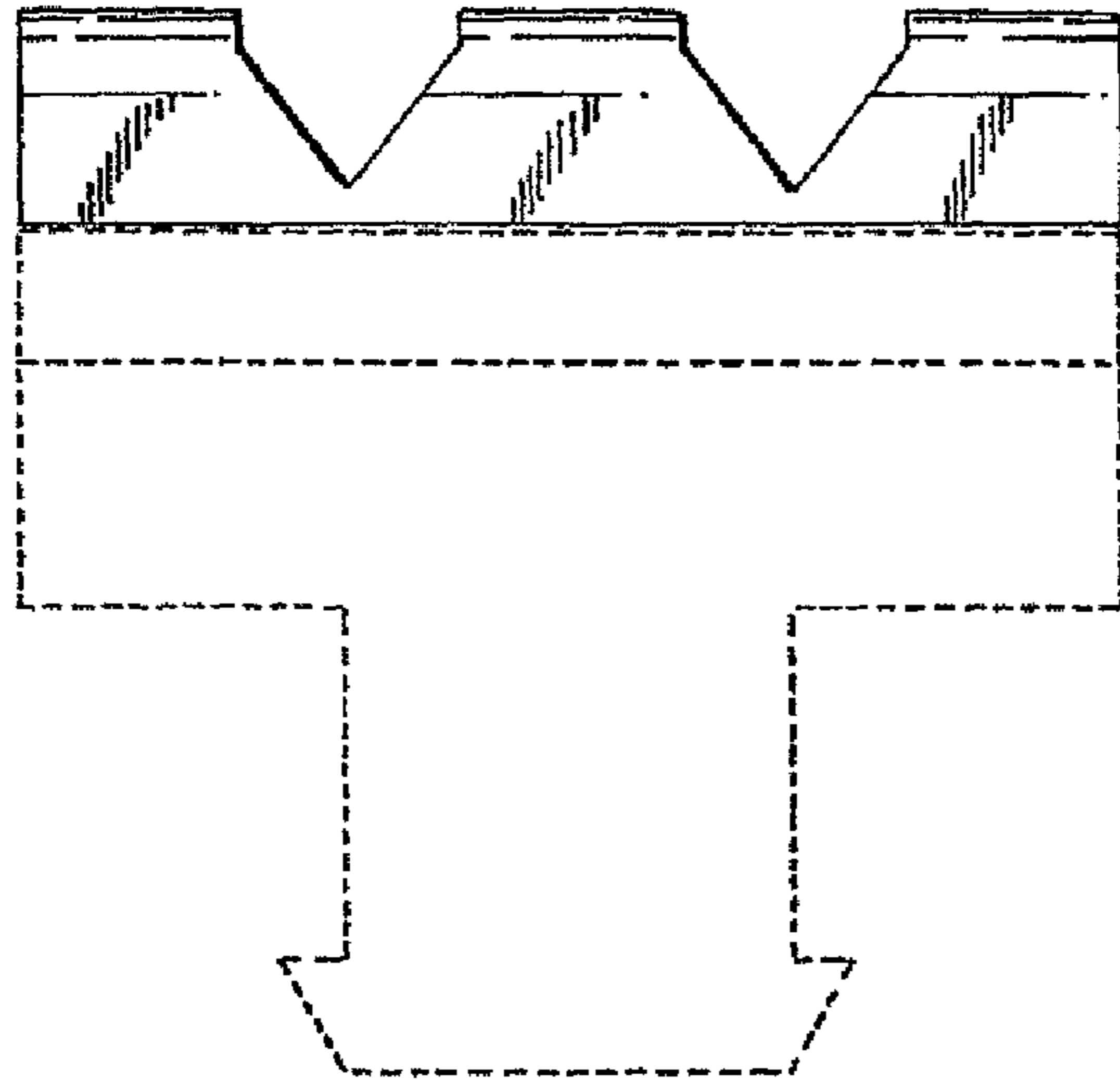


FIG. 2

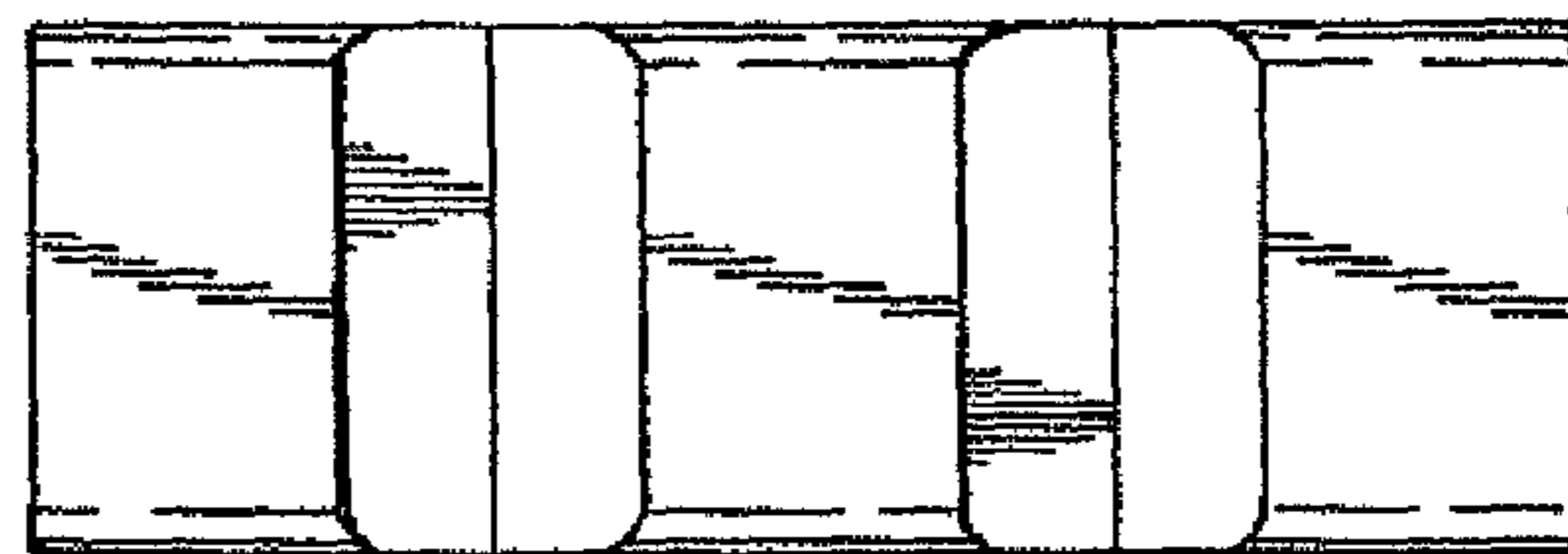


FIG. 4