



US00D744586S

(12) **United States Design Patent**
Chung et al.

(10) **Patent No.:** **US D744,586 S**

(45) **Date of Patent:** **** Dec. 1, 2015**

(54) **CARTRIDGE**

(71) Applicant: **Samsung Electronics Co., Ltd.**,
Suwon-si, Gyeonggi-do (KR)

(72) Inventors: **Won-Suk Chung**, Seoul (KR); **Jeffrey Brown**, Mason, OH (US); **Joyce Jing-Ling Chiang**, Irvine, CA (US); **Kyle Oldfield**, Cincinnati, OH (US); **John Travis Wettroth**, Cary, NC (US); **Soo-Shin Choi**, Cincinnati, OH (US)

(73) Assignee: **SAMSUNG ELECTRONICS CO., LTD.** (KR)

(**) Term: **14 Years**

(21) Appl. No.: **29/481,930**

(22) Filed: **Feb. 12, 2014**

(51) **LOC (10) Cl.** **18-02**

(52) **U.S. Cl.**
USPC **D18/56**; D18/43; D15/122

(58) **Field of Classification Search**
USPC D18/43, 40, 41, 44, 49, 50, 56;
D14/432, 471, 481, 253, 155; 347/86,
347/87; D13/107
CPC .. B41J 2/17503; B41J 2/17513; B41J 2/1752;
B41J 2/17523; B41J 7/17553; B41J 2/17556;
B41J 29/377

See application file for complete search history.

(56) **References Cited**

U.S. PATENT DOCUMENTS

D273,788	S	*	5/1984	Ault	D14/455
D291,300	S	*	8/1987	Chaney	D13/107
5,280,300	A	*	1/1994	Fong et al.	347/87
5,434,603	A	*	7/1995	Hunt	347/7
D361,343	S	*	8/1995	Kaplinsky et al.	D18/56
5,448,275	A	*	9/1995	Fong	347/87
5,450,112	A	*	9/1995	Scheffelin	347/87
5,467,118	A	*	11/1995	Gragg et al.	347/87

D373,381	S	*	9/1996	Altendorf et al.	D18/56
D375,521	S	*	11/1996	Tokuda et al.	D18/56
5,621,445	A	*	4/1997	Fong et al.	347/87
5,640,186	A	*	6/1997	Swanson et al.	347/86
5,653,542	A	*	8/1997	Sugimoto et al.	400/248
5,671,001	A	*	9/1997	Elliot et al.	347/87
5,757,406	A	*	5/1998	Kaplinsky et al.	347/87
5,767,882	A	*	6/1998	Kaplinsky et al.	347/87
5,771,803	A	*	6/1998	Takami	101/128.21
5,874,976	A	*	2/1999	Katon et al.	347/85
5,917,527	A	*	6/1999	Boyd et al.	347/87
6,243,117	B1	*	6/2001	Brandon et al.	347/87
6,286,948	B1	*	9/2001	Wu et al.	347/86
6,371,606	B1	*	4/2002	Free	347/86
D466,151	S	*	11/2002	Shinada et al.	D18/56
6,513,920	B1	*	2/2003	Deshmukh et al.	347/92
D477,021	S	*	7/2003	Yu et al.	D18/56

(Continued)

Primary Examiner — Susan Bennett Hattan

Assistant Examiner — Marie Fast Horse

(74) *Attorney, Agent, or Firm* — Cantor Colburn LLP

(57) **CLAIM**

We claim, the ornamental design for a cartridge, as shown and described.

DESCRIPTION

FIG. 1 is a front perspective view of a cartridge, showing our new design;

FIG. 2 is a front view thereof;

FIG. 3 is a rear view thereof;

FIG. 4 is a side view thereof;

FIG. 5 is another side view thereof;

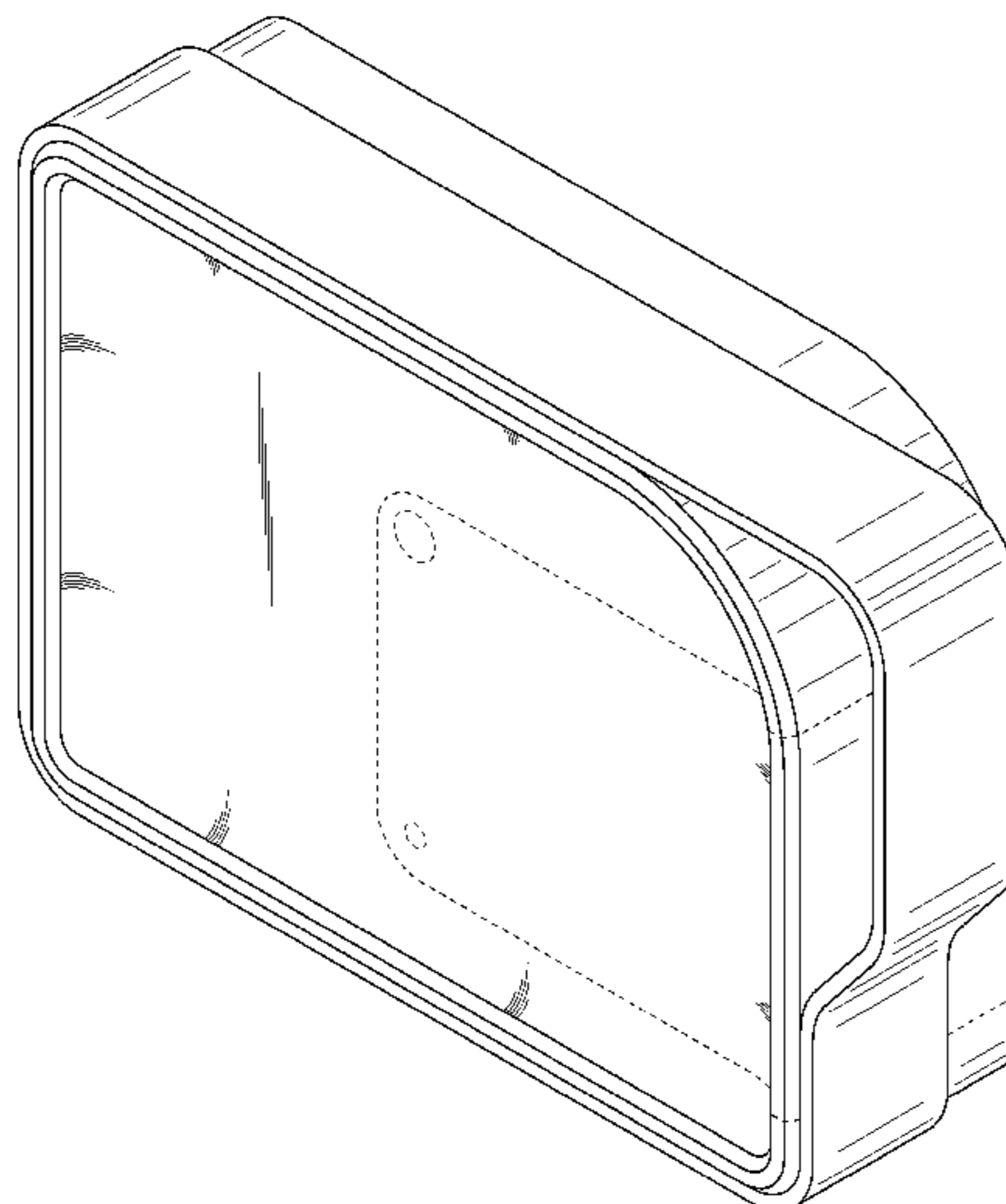
FIG. 6 is a top view thereof;

FIG. 7 is a bottom view thereof; and,

FIG. 8 is another side view thereof, showing the cartridge in a multifunction printer environment.

The dotted line in the drawings depict parts of the cartridge that forms no part of the claimed design; while, the dashed lines in FIG. 8 depict environmental subject matter only and formed no part of the claimed design.

1 Claim, 6 Drawing Sheets



(56)

References Cited

U.S. PATENT DOCUMENTS

6,596,785 B2 *	7/2003	Free	521/174	D681,727 S *	5/2013	Van Den Broecke	D18/56
D489,757 S *	5/2004	Matsumoto	D18/56	D682,931 S *	5/2013	Aoki et al.	D18/56
6,890,068 B2 *	5/2005	Kawamura et al.	347/86	D685,416 S *	7/2013	Hutchison et al.	D18/56
D524,367 S *	7/2006	Wakayama et al.	D18/56	D699,785 S *	2/2014	Harvey et al.	D18/56
D527,419 S *	8/2006	Anbiru et al.	D18/56	D704,259 S *	5/2014	Lecheheb et al.	D18/56
D530,365 S *	10/2006	Wakayama et al.	D18/56	D712,464 S *	9/2014	Harvey et al.	D18/56
D532,004 S *	11/2006	Kettula	D14/253	D712,465 S *	9/2014	Lecheheb et al.	D18/56
D540,855 S *	4/2007	Umezawa et al.	D18/56	D714,214 S *	9/2014	Wikel	D13/107
7,311,389 B1 *	12/2007	Pidgeon	347/89	D720,804 S *	1/2015	Van Den Broecke	D18/56
7,350,898 B2 *	4/2008	Lee	347/29	D723,504 S *	3/2015	Reimer	D14/155
D570,905 S *	6/2008	Yuen	D18/56	D725,784 S *	3/2015	Xia	D24/186
7,438,398 B2 *	10/2008	Lee	347/84	D729,312 S *	5/2015	Harvey et al.	D18/56
D580,971 S *	11/2008	Yuen	D18/56	2003/0058315 A1 *	3/2003	Lee et al.	347/87
D592,625 S *	5/2009	Hwang	D14/130	2003/0068174 A1 *	4/2003	Hashimoto et al.	399/120
D609,701 S *	2/2010	Hou	D14/240	2003/0090553 A1 *	5/2003	Jung et al.	347/86
D611,532 S *	3/2010	Nanjo et al.	D18/56	2003/0107780 A1 *	6/2003	Kang et al.	358/498
D612,417 S *	3/2010	Harada	D18/56	2003/0117467 A1 *	6/2003	Jung	347/86
D617,376 S *	6/2010	Lecheheb et al.	D18/56	2004/0051766 A1 *	3/2004	Miyazawa et al.	347/86
D629,040 S *	12/2010	Ricci et al.	D18/56	2004/0090502 A1 *	5/2004	Tham	347/86
D636,437 S *	4/2011	Urabe et al.	D18/56	2007/0217848 A1 *	9/2007	Kojima	400/62
D641,400 S *	7/2011	Hattori	D18/56	2008/0284831 A1 *	11/2008	Zeng	347/86
D656,541 S *	3/2012	Ko	D18/56	2010/0328405 A1 *	12/2010	Ness et al.	347/86
D659,188 S *	5/2012	Kanbe et al.	D18/56	2012/0056957 A1 *	3/2012	Xiao	347/86
D660,352 S *	5/2012	Sodeyama et al.	D18/56	2012/0147104 A1 *	6/2012	Ouyang et al.	347/86
D665,020 S *	8/2012	Sodeyama	D18/56	2012/0218357 A1 *	8/2012	Chen	347/86
D665,841 S *	8/2012	Williamson et al.	D18/56	2012/0236087 A1 *	9/2012	Bianco et al.	347/86
				2013/0033552 A1 *	2/2013	Chen et al.	347/86
				2014/0300671 A1 *	10/2014	Nie	347/86
				2015/0077478 A1 *	3/2015	Kawabata et al.	347/86

* cited by examiner

FIG.1

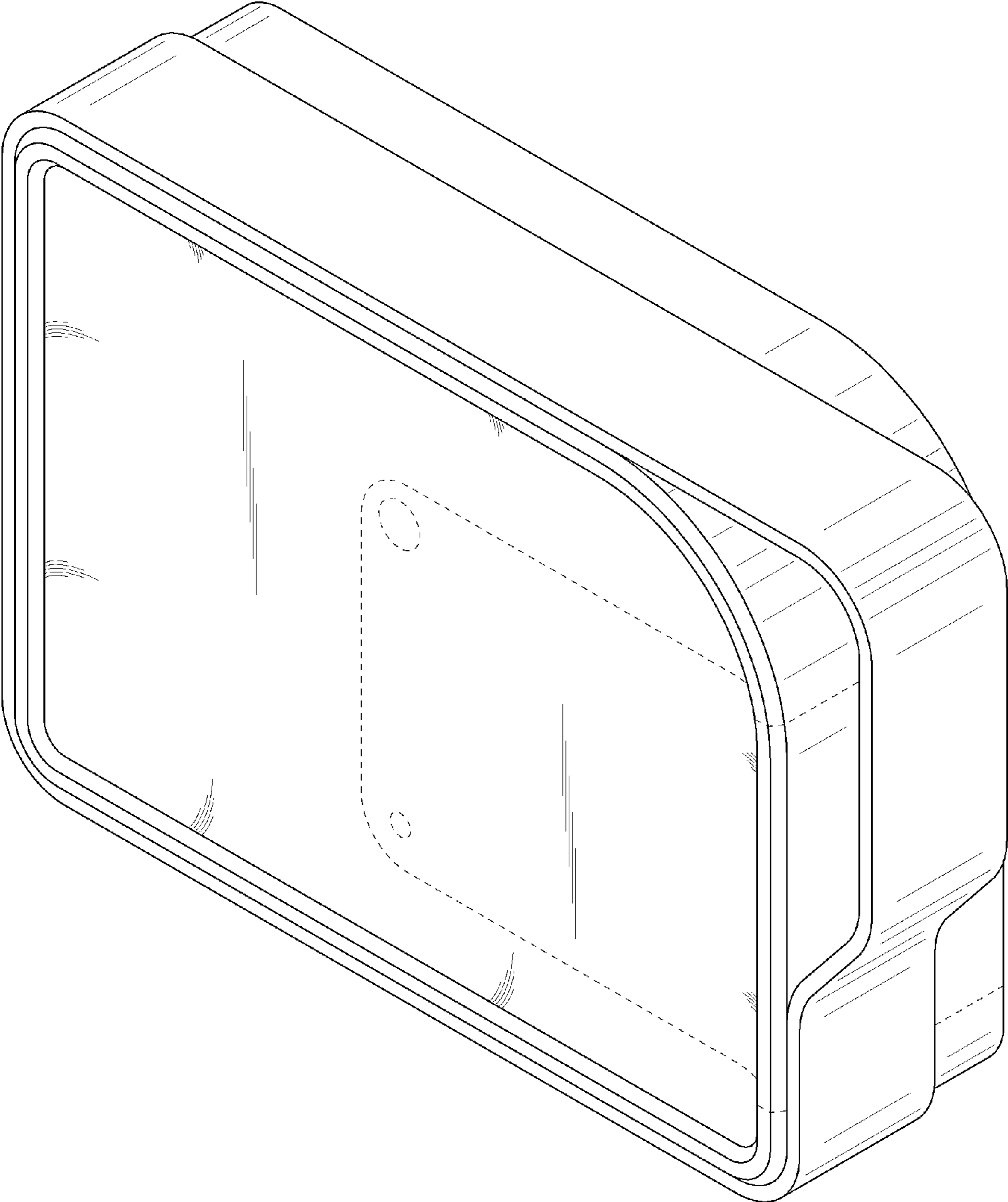


FIG.2

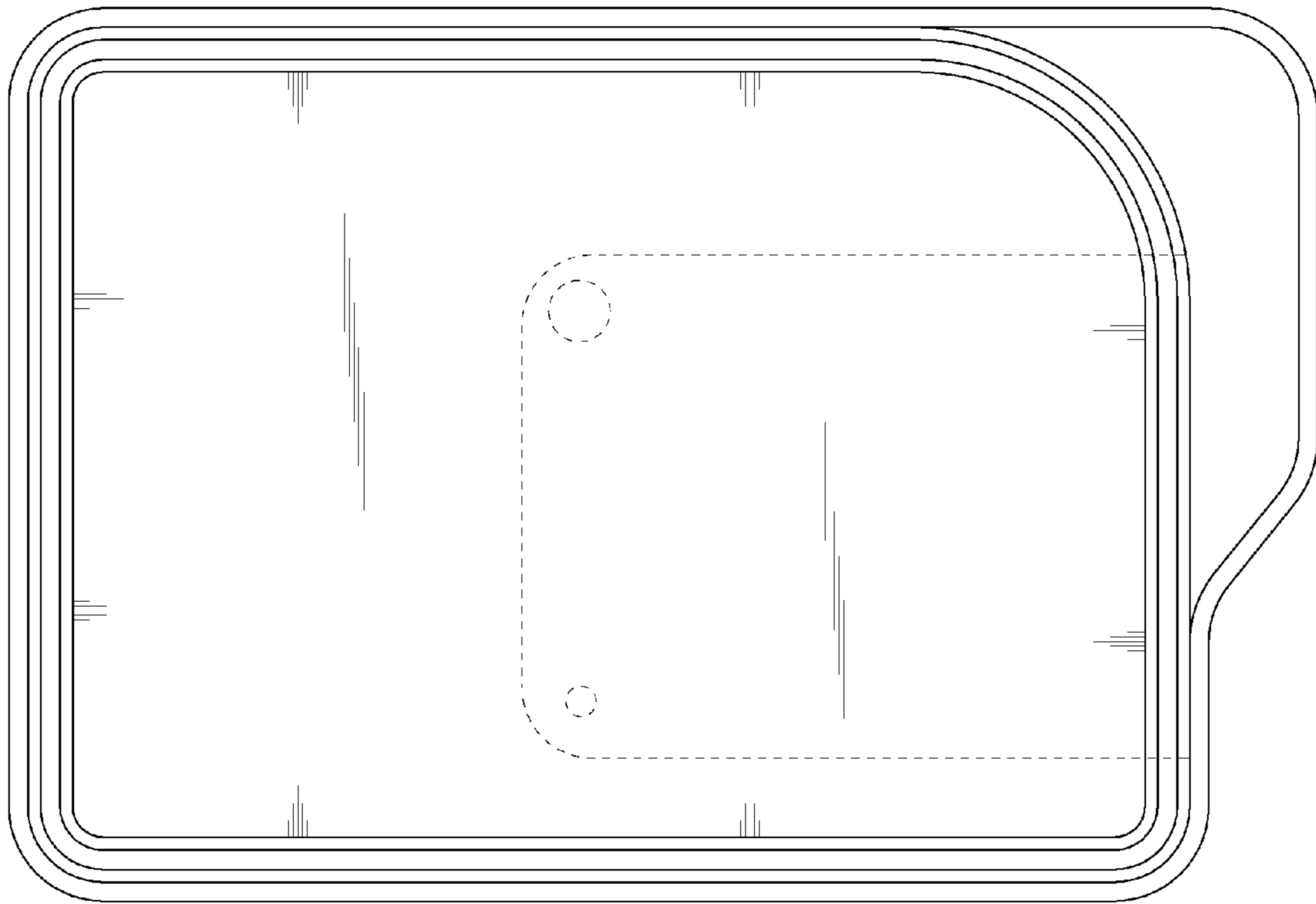


FIG.3

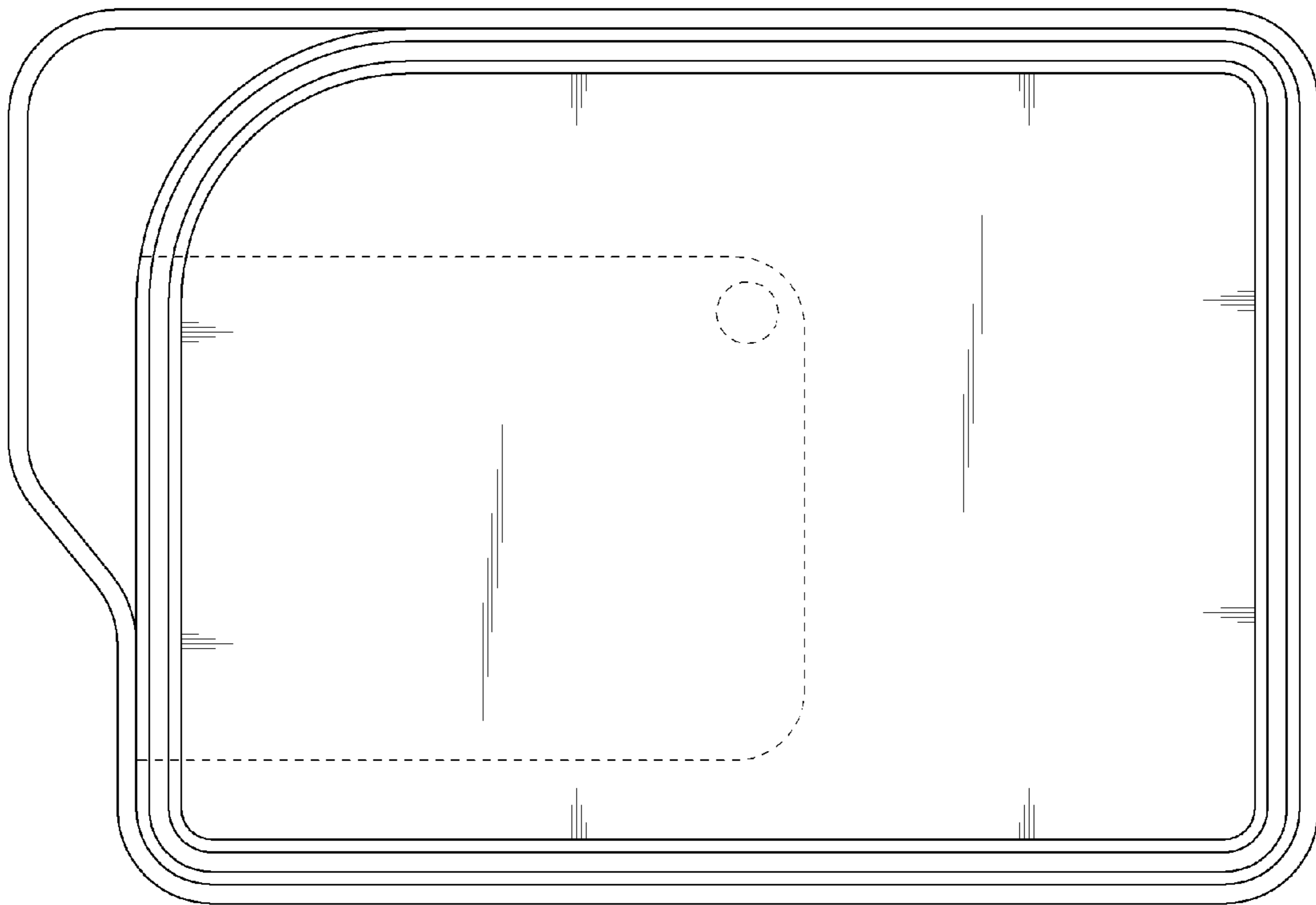


FIG.4

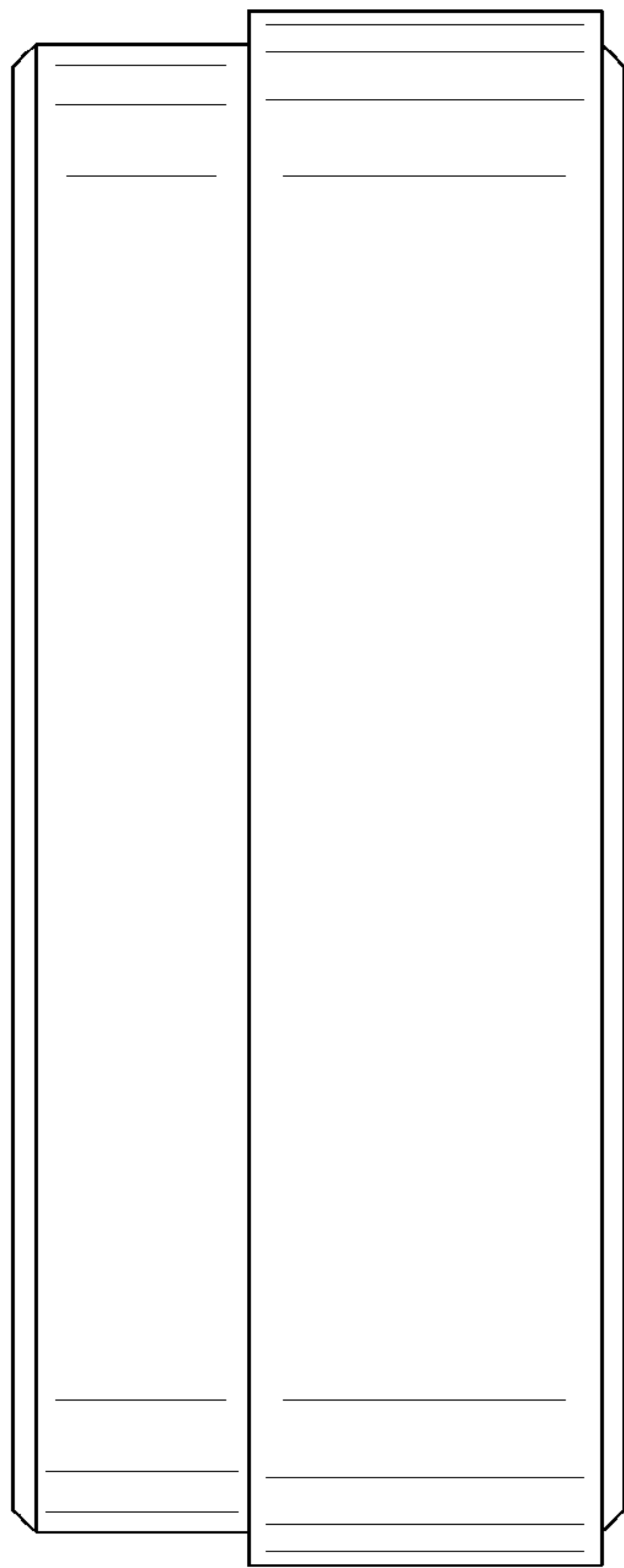


FIG.5

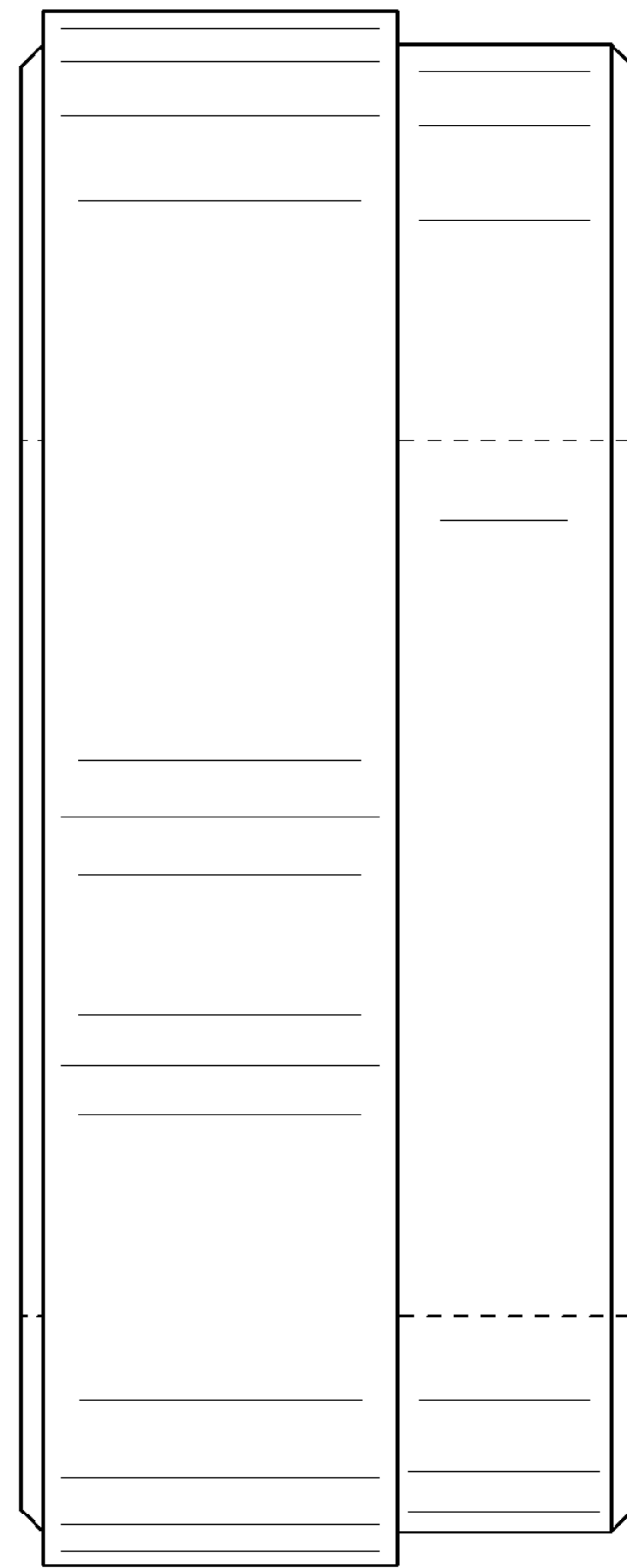


FIG.6

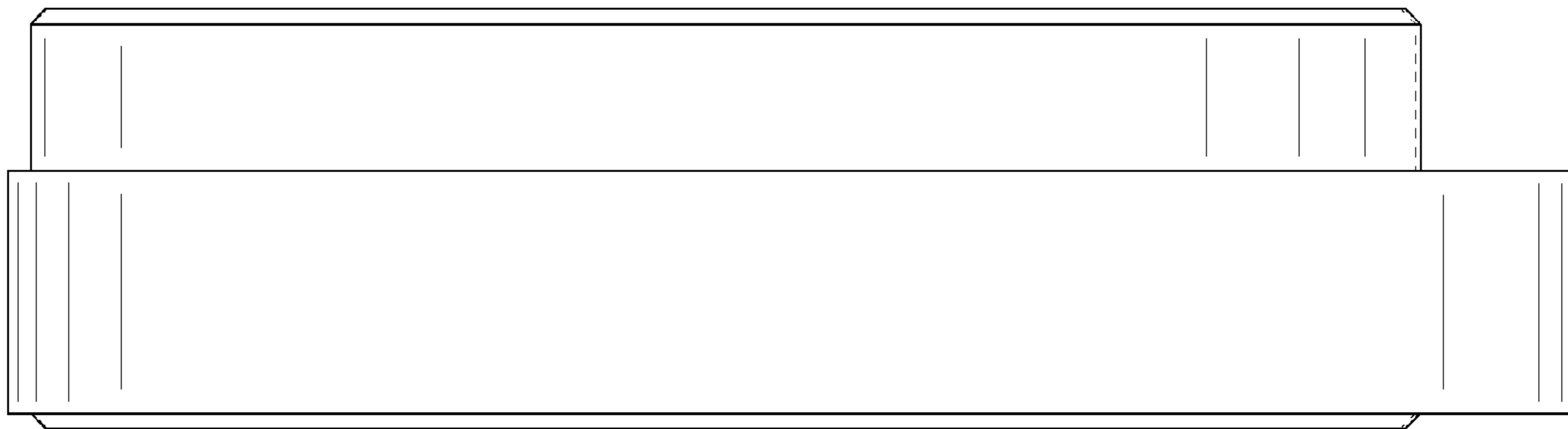


FIG.7

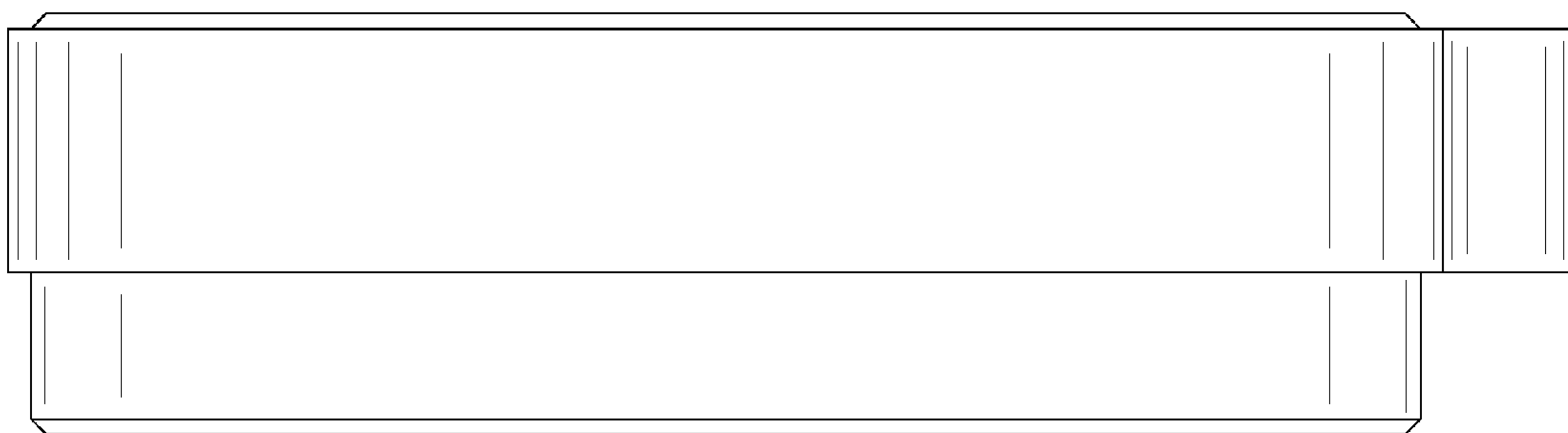


FIG.8

