



US00D744585S

(12) **United States Design Patent**
Lee

(10) **Patent No.:** **US D744,585 S**
(45) **Date of Patent:** **** Dec. 1, 2015**

(54) **PRINTER**

(56) **References Cited**

(71) Applicant: **Samsung Electronics Co., Ltd.**,
Suwon-si, Gyeonggi-do (KR)
(72) Inventor: **Sang-In Lee**, Seongnam-si (KR)
(73) Assignee: **SAMSUNG ELECTRONICS CO., LTD.** (KR)
(**) Term: **14 Years**

U.S. PATENT DOCUMENTS

D277,190	S	*	1/1985	Sadler	D18/55
D293,684	S	*	1/1988	Sadler et al.	D18/34.5
D491,220	S	*	6/2004	Whitehorn et al.	D18/50
D492,719	S	*	7/2004	Schmitt et al.	D18/50
D518,093	S	*	3/2006	de Salis et al.	D18/55
D523,071	S	*	6/2006	Katayama et al.	D18/50
D578,494	S	*	10/2008	Hattori	D18/55
D641,396	S	*	7/2011	Park et al.	D18/55
D660,908	S	*	5/2012	Leman et al.	D18/55
D685,412	S	*	7/2013	Jihoon et al.	D18/50
D715,853	S	*	10/2014	Kim et al.	D18/50

(21) Appl. No.: **29/483,051**

* cited by examiner

(22) Filed: **Feb. 25, 2014**

Primary Examiner — Cathy Anne MacCormac

(30) **Foreign Application Priority Data**

(74) *Attorney, Agent, or Firm* — Cantor Colburn LLP

Sep. 16, 2013 (KR) 30-2013-0047790

(57) **CLAIM**

The ornamental design for a printer, as shown and described.

(51) **LOC (10) Cl.** **14-02**

DESCRIPTION

(52) **U.S. Cl.**

USPC **D18/50**

(58) **Field of Classification Search**

USPC D18/14, 19, 50, 54, 54.1, 55;
D14/420–426, 462–470, 170–171,
D14/188–189, 193–198; 400/613,
400/613.1–613.4, 690.1–690.4, 691–694;
D16/235

FIG. 1 is a front perspective view of a printer showing my new design;
FIG. 2 is a front view thereof;
FIG. 3 is a rear view thereof;
FIG. 4 is a side view thereof;
FIG. 5 is another side view thereof;
FIG. 6 is a top view thereof;
FIG. 7 is a bottom view thereof; and,
FIG. 8 is another front perspective view thereof.
The broken lines depict environmental subject matter and form no part of the claimed design.

See application file for complete search history.

1 Claim, 5 Drawing Sheets

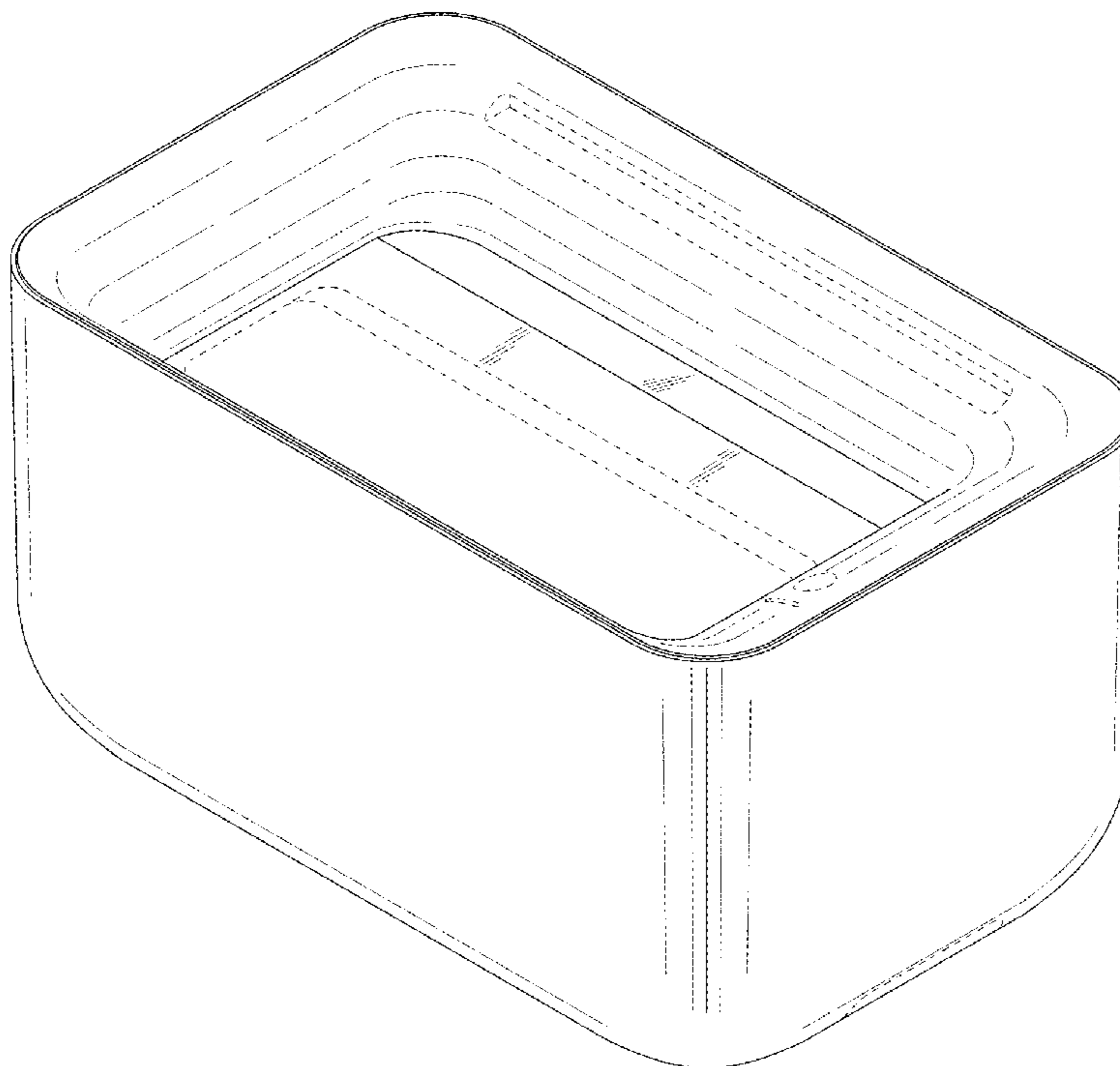


FIG.1

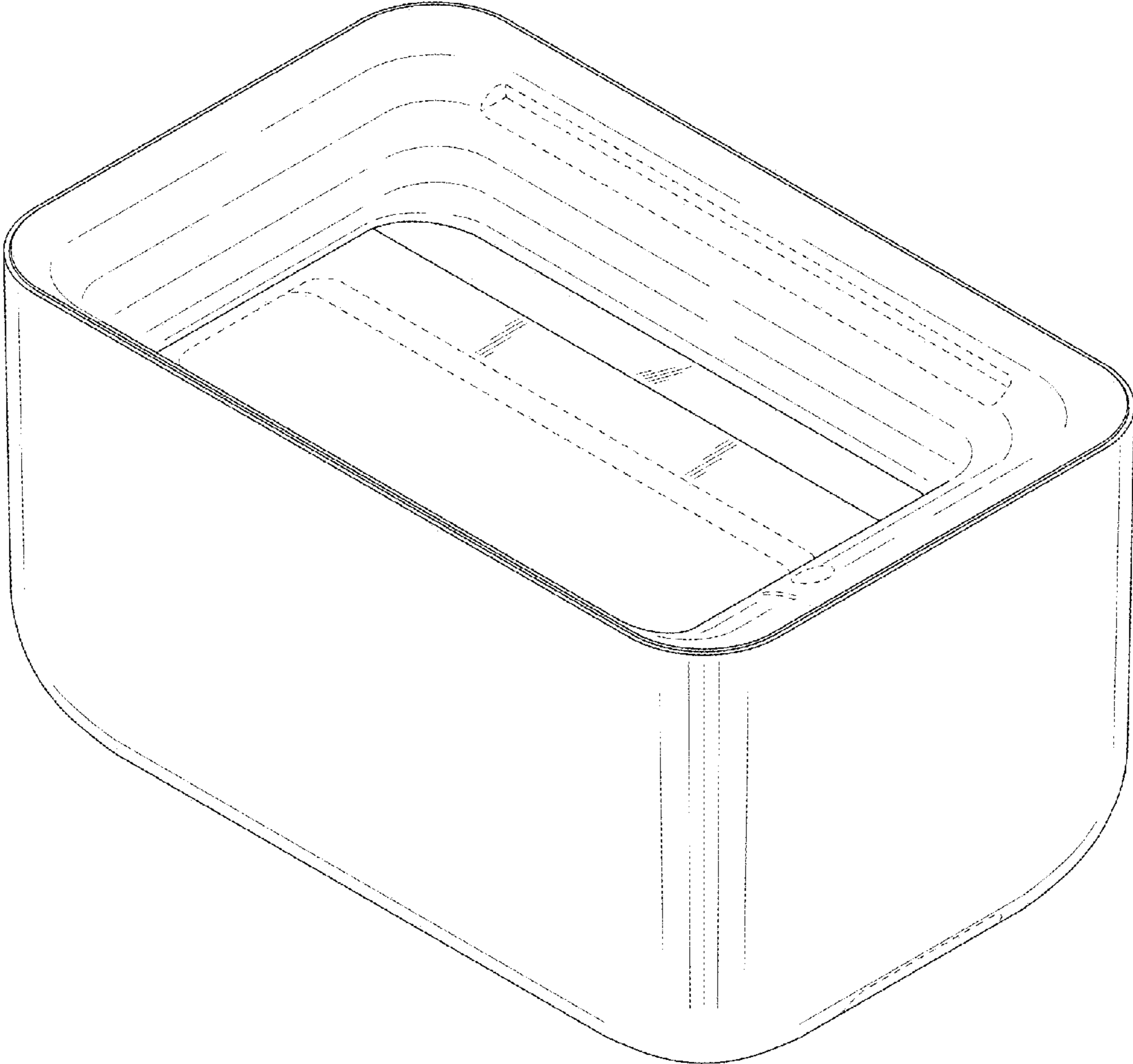


FIG.2

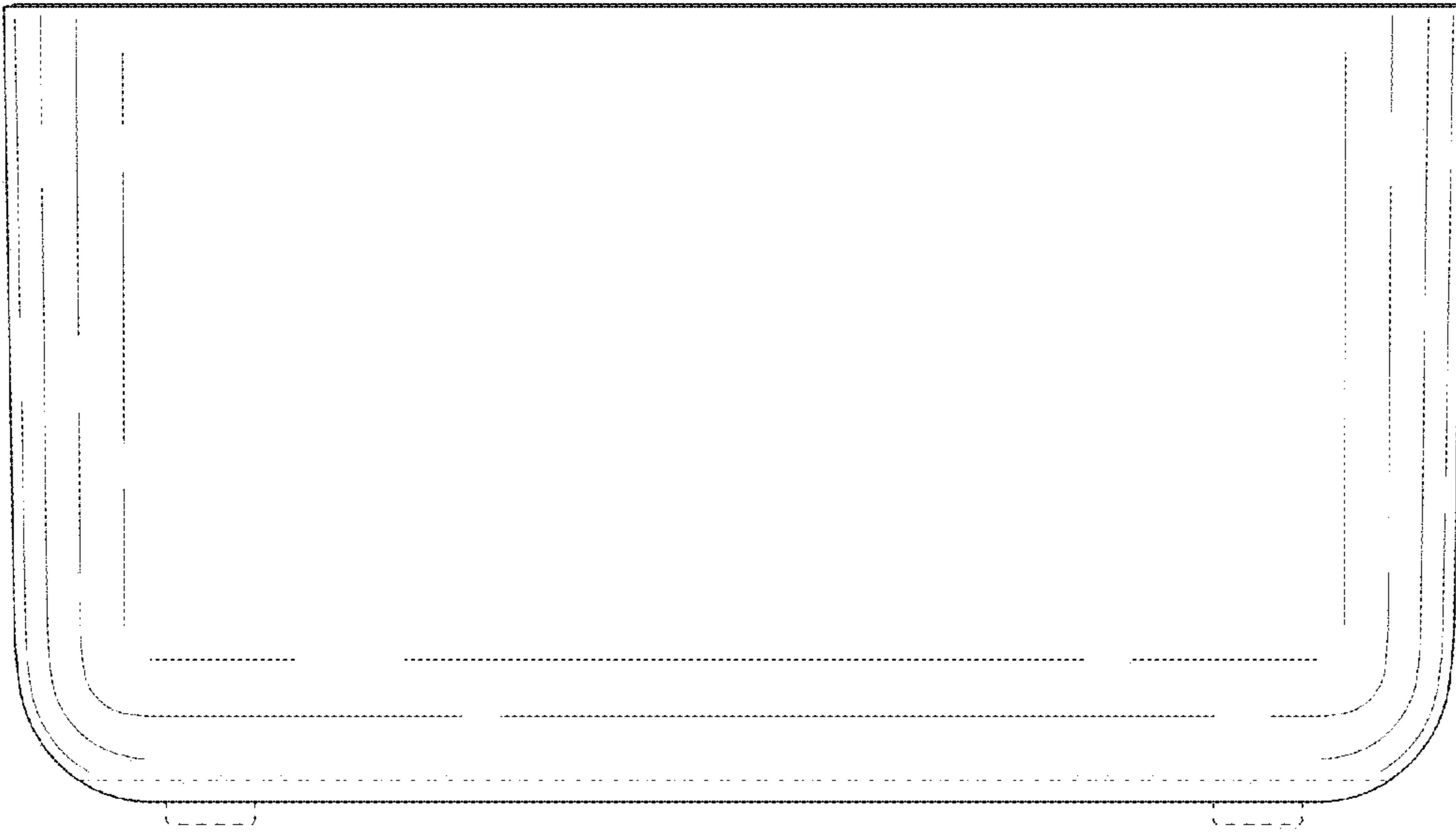


FIG.3

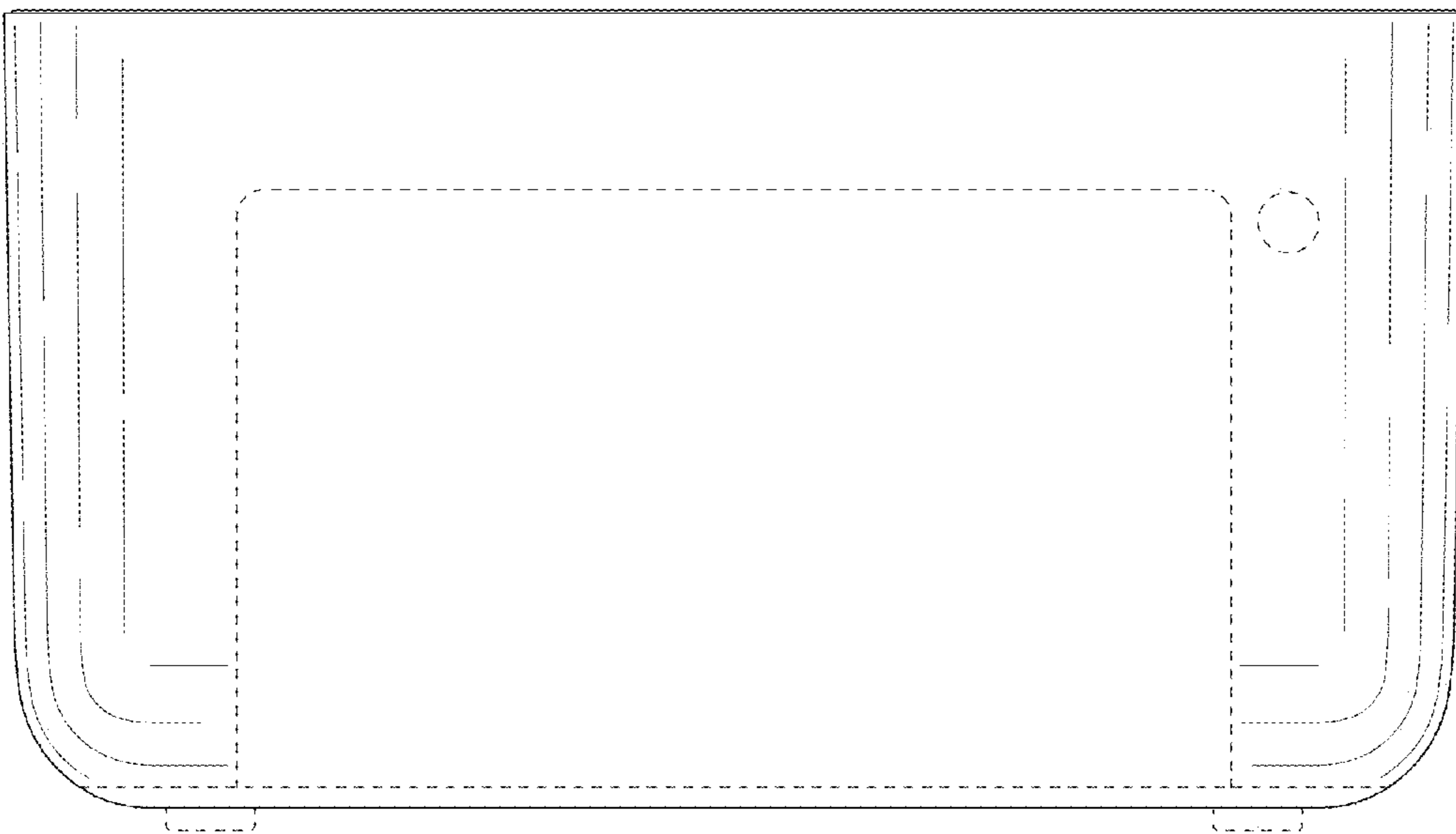


FIG.4

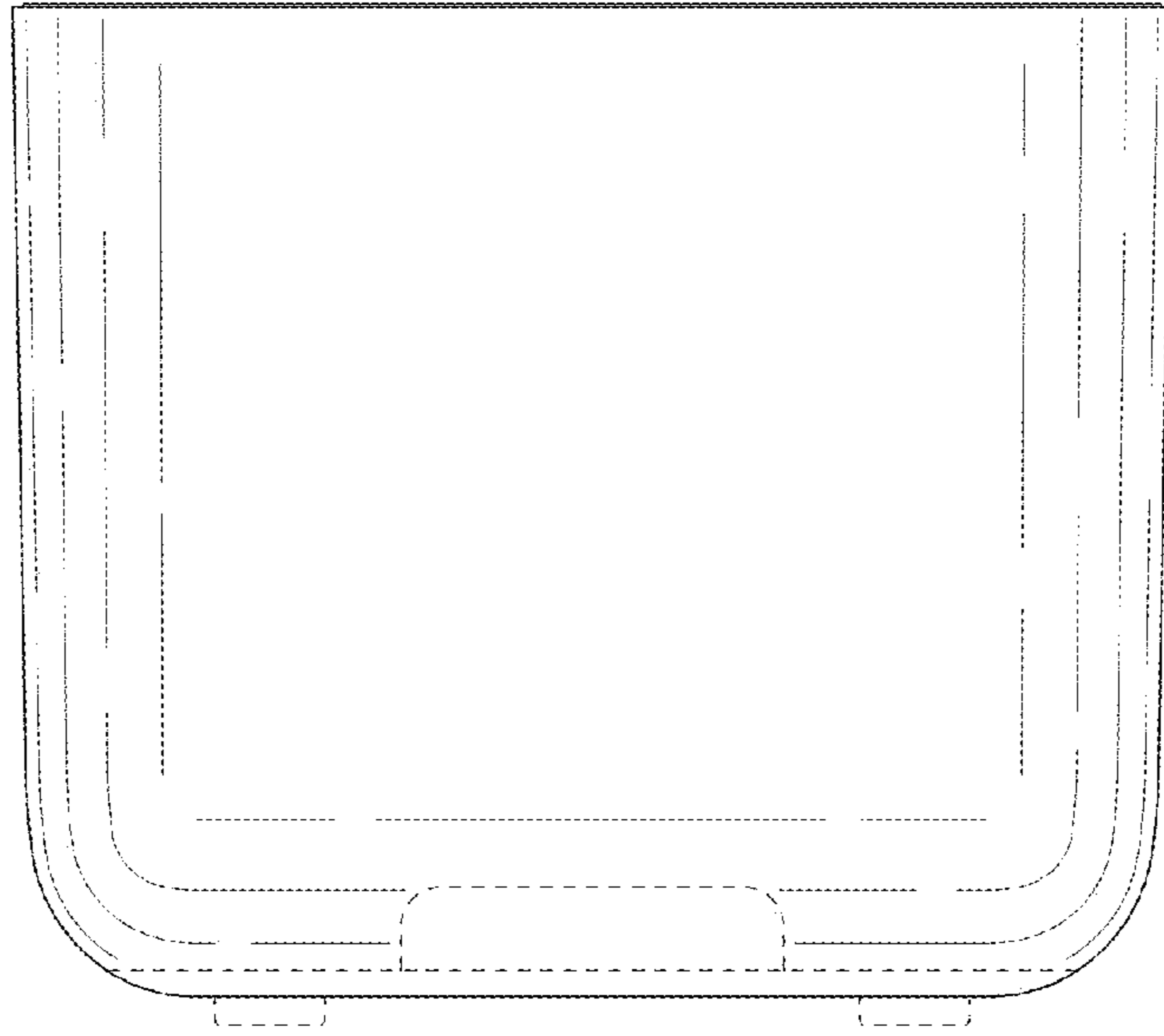


FIG.5

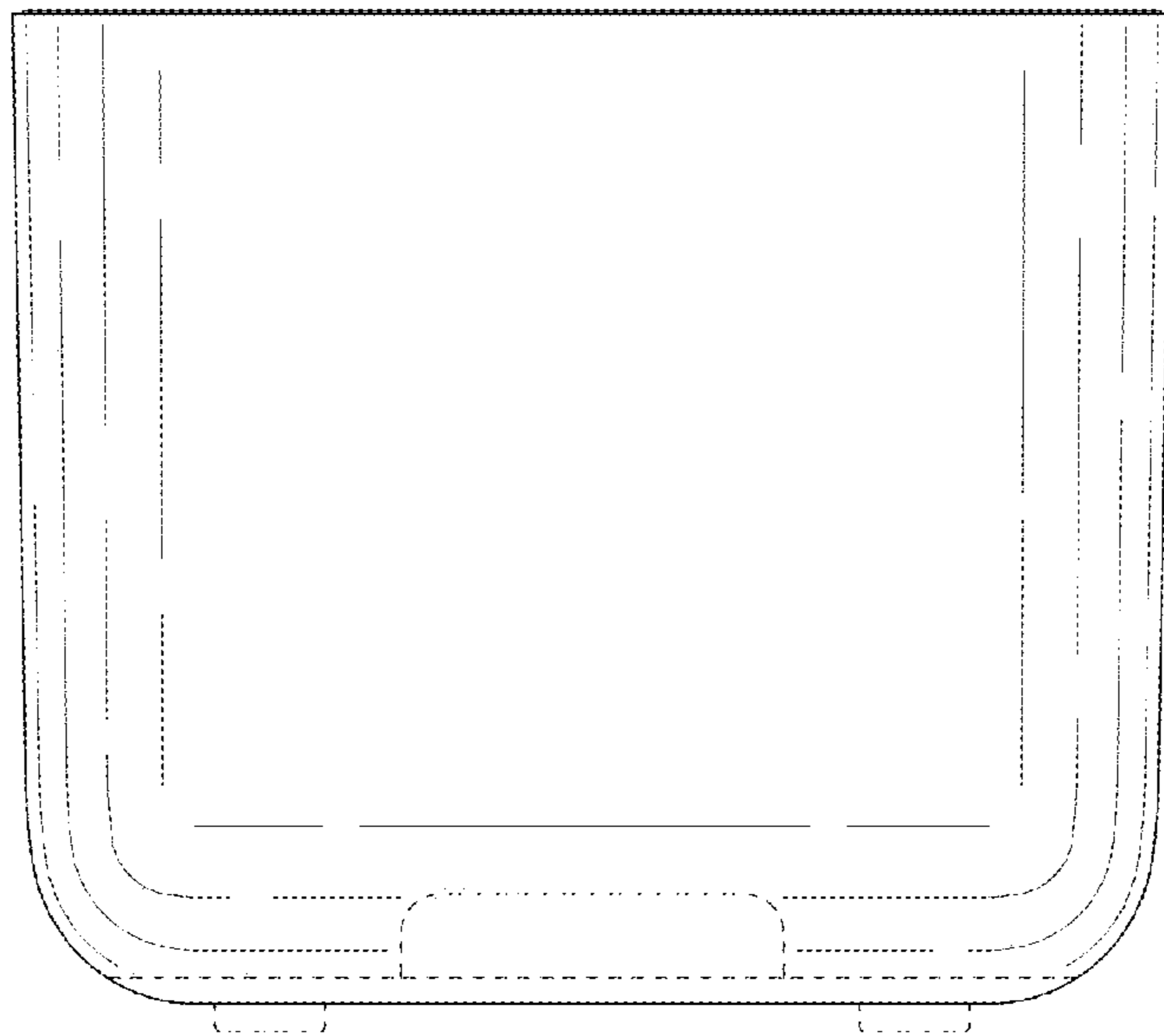


FIG.6

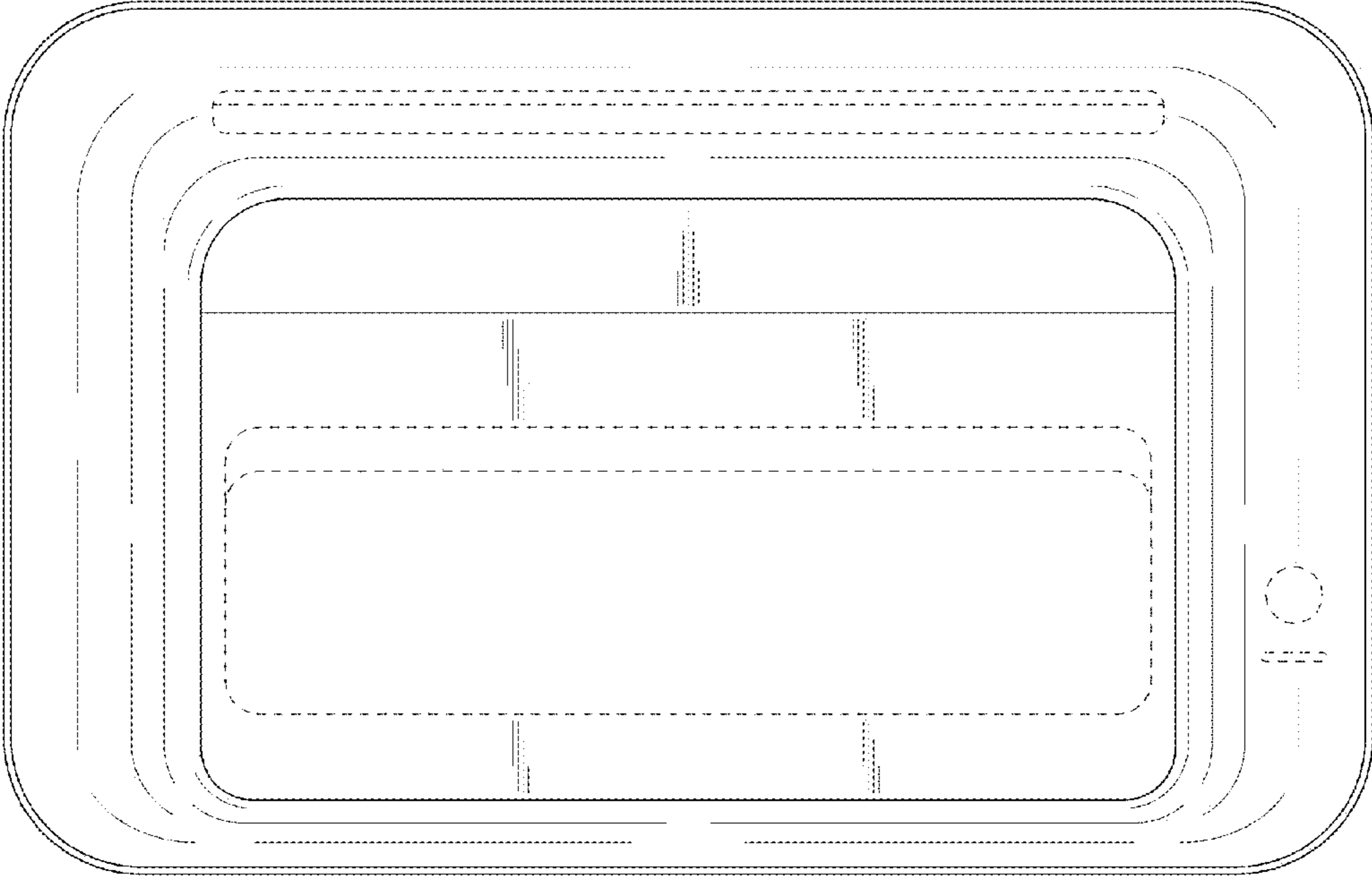


FIG.7



FIG.8

