



US00D744580S

(12) **United States Design Patent**  
**Firchau et al.**

(10) **Patent No.:** **US D744,580 S**  
(45) **Date of Patent:** **\*\* Dec. 1, 2015**

(54) **STABILIZED GIMBAL ASSEMBLY**

(71) Applicant: **FREEFLY SYSTEMS, INC.**,  
Woodinville, WA (US)  
(72) Inventors: **Tabb Firchau**, Redmond, WA (US);  
**David Bloomfield**, Redmond, WA (US);  
**Ian Roper**, Snohomish, WA (US)  
(73) Assignee: **FREEFLY SYSTEMS, INC.**,  
Woodinville, WA (US)

(\*\*) Term: **14 Years**

(21) Appl. No.: **29/486,846**

(22) Filed: **Apr. 3, 2014**

(51) **LOC (10) Cl.** ..... **16-05**

(52) **U.S. Cl.**  
USPC ..... **D16/242; D16/243**

(58) **Field of Classification Search**  
USPC ..... D3/267, 268; D12/345; D16/237, 239,  
D16/240, 241, 242, 243, 245, 250; 248/605,  
248/693; 352/242, 243; 396/5, 12, 13, 55,  
396/419-422

See application file for complete search history.

(56) **References Cited**

**U.S. PATENT DOCUMENTS**

D570,396 S \* 6/2008 Foddis ..... D16/242  
D609,734 S \* 2/2010 Foddis ..... D16/242

(Continued)

*Primary Examiner* — Susan Bennett Hattan

*Assistant Examiner* — Leanne Was

(74) *Attorney, Agent, or Firm* — Talem IP Law, LLP

(57) **CLAIM**

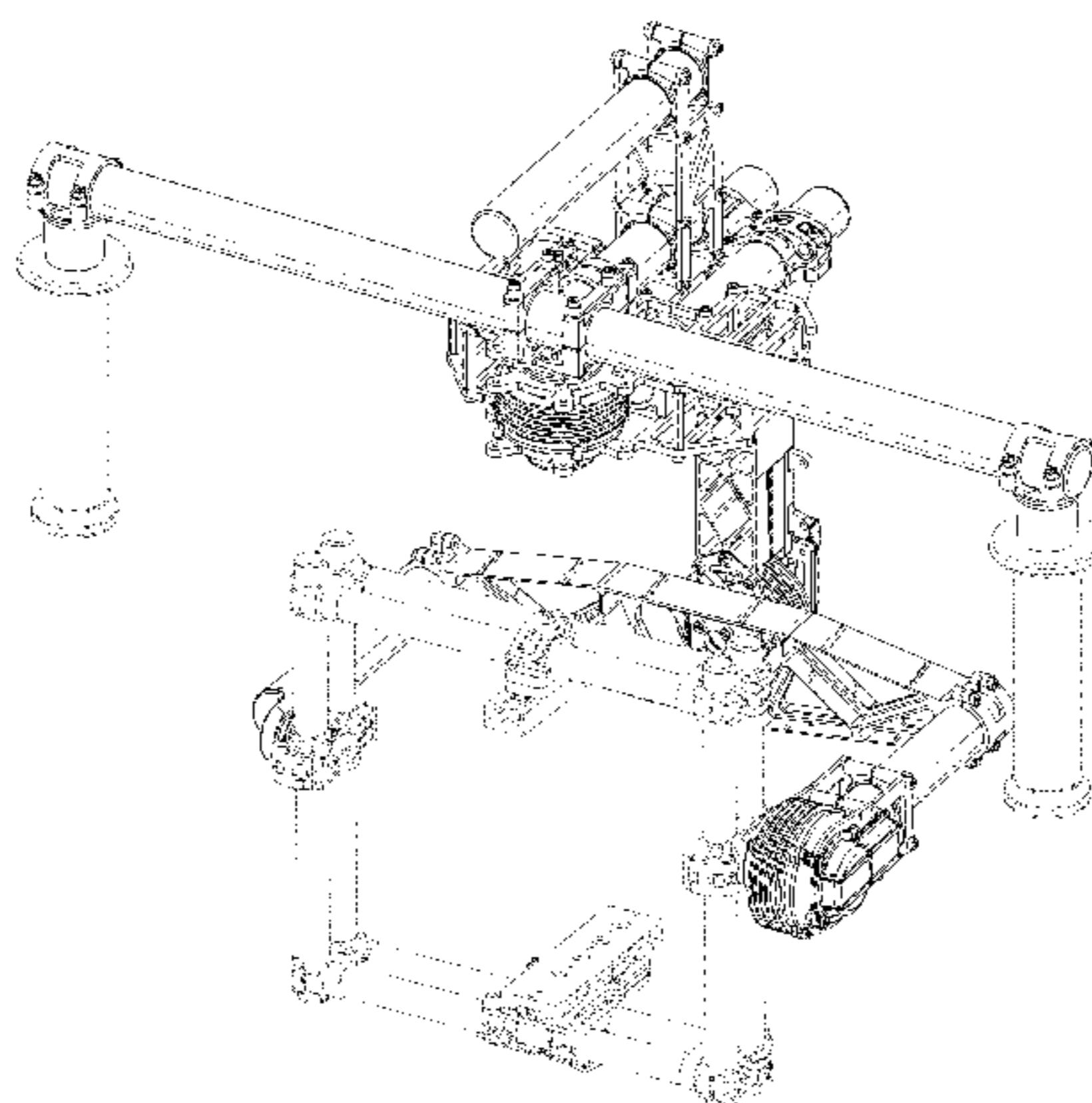
The ornamental design for a stabilized gimbal assembly, as shown and described.

**DESCRIPTION**

FIG. 1 is a front, left side, top perspective view of a stabilized gimbal assembly having a sub-assembly with upright beam and battery cage, showing our new design;

FIG. 2 is a rear, right side, bottom perspective view thereof;  
FIG. 3 is a front elevation view thereof;  
FIG. 4 is a rear elevation view thereof;  
FIG. 5 is a left side elevation view thereof;  
FIG. 6 is a right side elevation view thereof;  
FIG. 7 is a top plan view thereof;  
FIG. 8 is a bottom plan view thereof;  
FIG. 9 is a rear, right side, exploded view thereof;  
FIG. 10 is a front, left side, top perspective view of a sub-assembly with upright beam and battery cage of the stabilized gimbal assembly of FIG. 1;  
FIG. 11 is a rear, right side, bottom perspective view thereof;  
FIG. 12 is a front elevation view thereof;  
FIG. 13 is a rear elevation view thereof;  
FIG. 14 is a left side elevation view thereof;  
FIG. 15 is right side elevation view thereof;  
FIG. 16 is a top plan view thereof;  
FIG. 17 is a bottom plan view thereof;  
FIG. 18 is a rear, right side, exploded view thereof;  
FIG. 19 is a front, left side, top perspective view of a battery cage of the sub-assembly for the stabilized gimbal assembly of FIG. 1;  
FIG. 20 is a front elevation view thereof;  
FIG. 21 is a rear elevation view thereof;  
FIG. 22 is a left side elevation view thereof;  
FIG. 23 is right side elevation view thereof;  
FIG. 24 is a top plan view thereof;  
FIG. 25 is a bottom plan view thereof;  
FIG. 26 is a front, left side, top perspective view of an upright beam of the sub-assembly for the stabilized gimbal assembly of FIG. 1;  
FIG. 27 is a rear, right side, bottom perspective view thereof;  
FIG. 28 is a front elevation view thereof;  
FIG. 29 is a rear elevation view thereof;  
FIG. 30 is a left side elevation view thereof;  
FIG. 31 is a right side elevation view thereof;  
FIG. 32 is a top plan view thereof; and,  
FIG. 33 is a bottom plan view thereof.  
The broken lines illustrate environmental structure and form no part of the claimed design.

**1 Claim, 28 Drawing Sheets**



# US D744,580 S

Page 2

---

(56)

## References Cited

			9,030,149 B1 *	5/2015	Chen et al. ....	318/649
			2014/0270743 A1 *	9/2014	Webb et al. ....	396/55
			2014/0270744 A1 *	9/2014	Webb et al. ....	396/55
	U.S. PATENT DOCUMENTS					
	D714,377 S *	9/2014	Yamauchi et al. ....	D16/243		
	D723,090 S *	2/2015	Firchau et al. ....	D16/242		
					* cited by examiner	

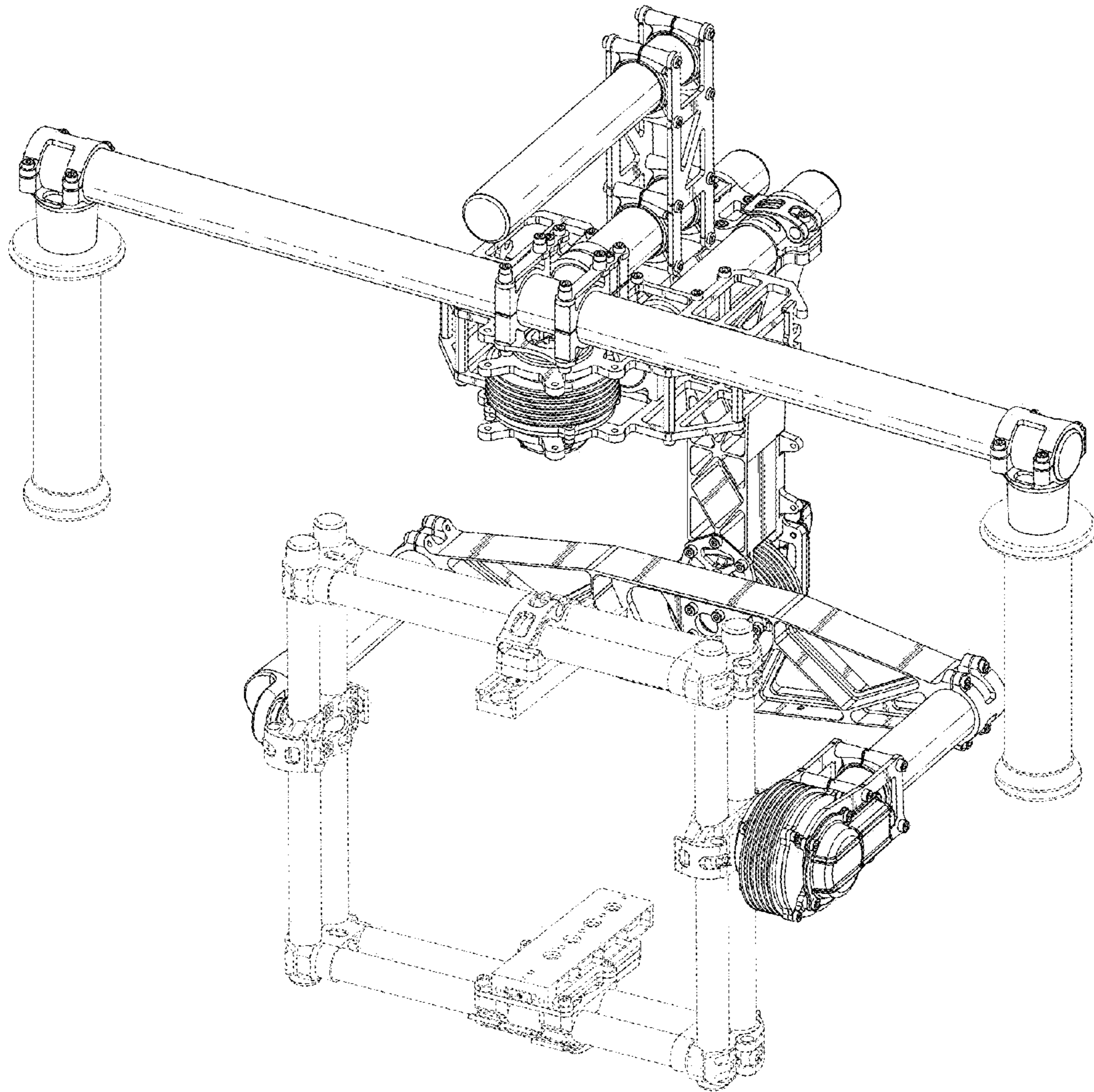


FIG. 1

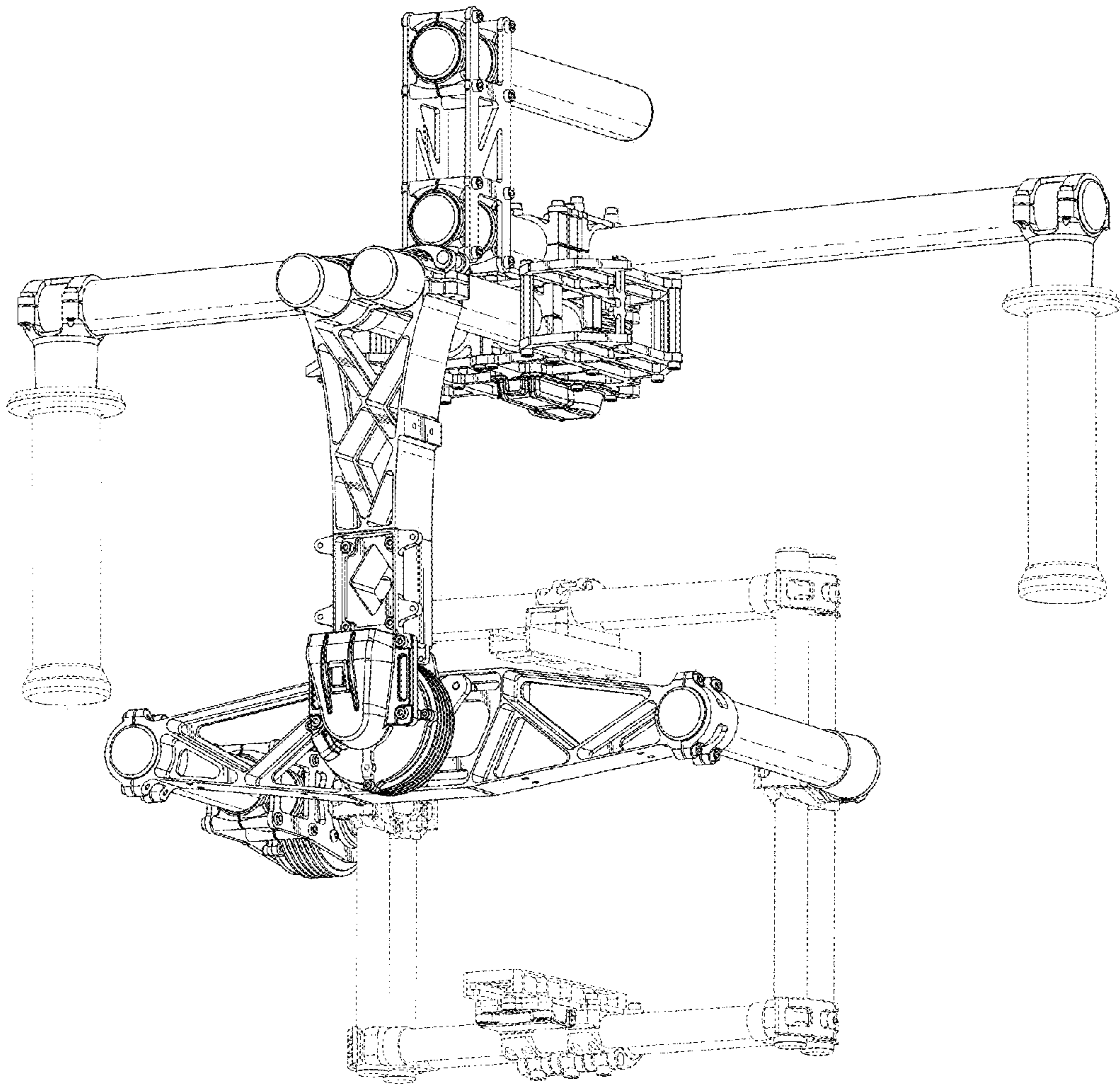


FIG. 2

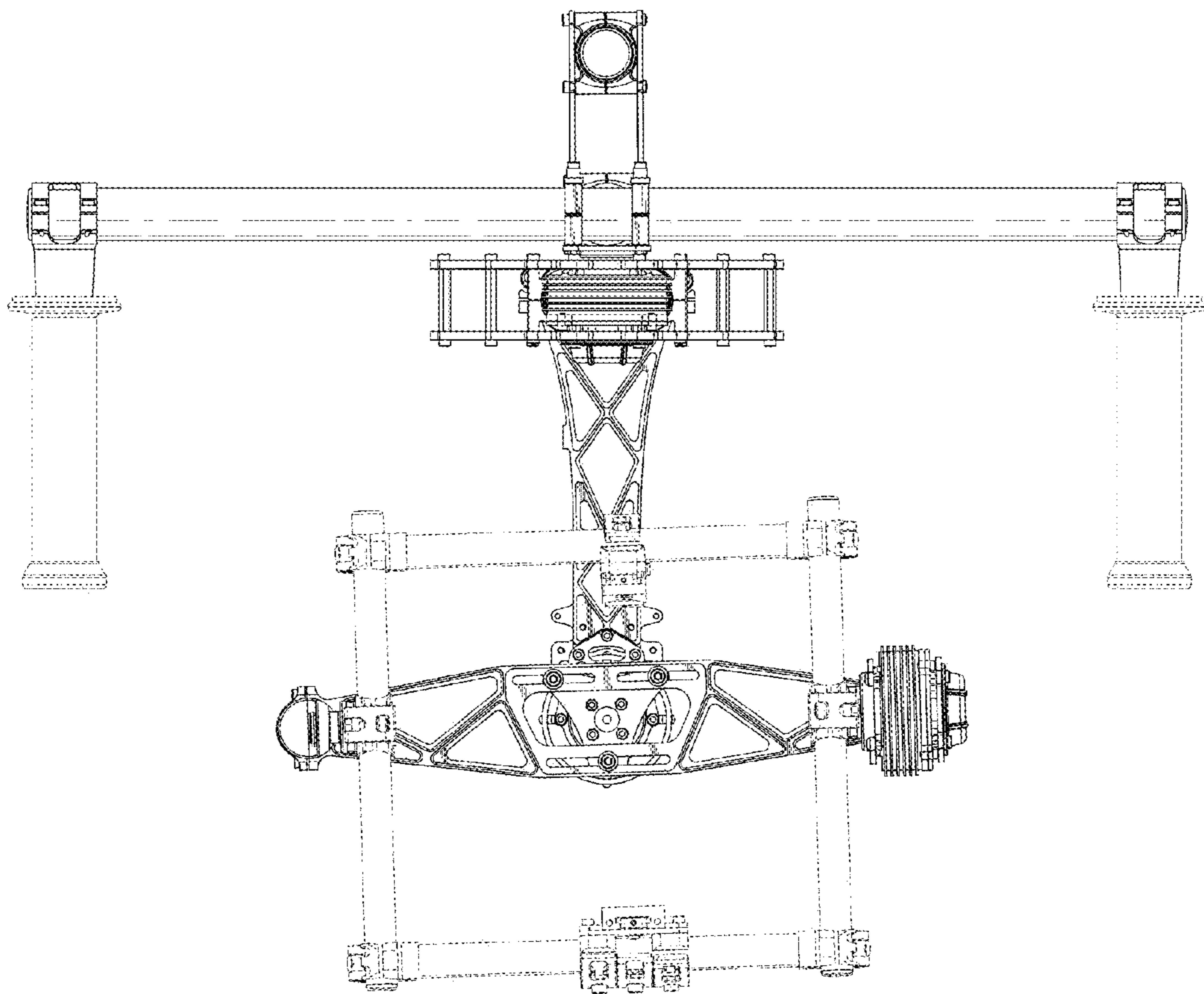


FIG. 3

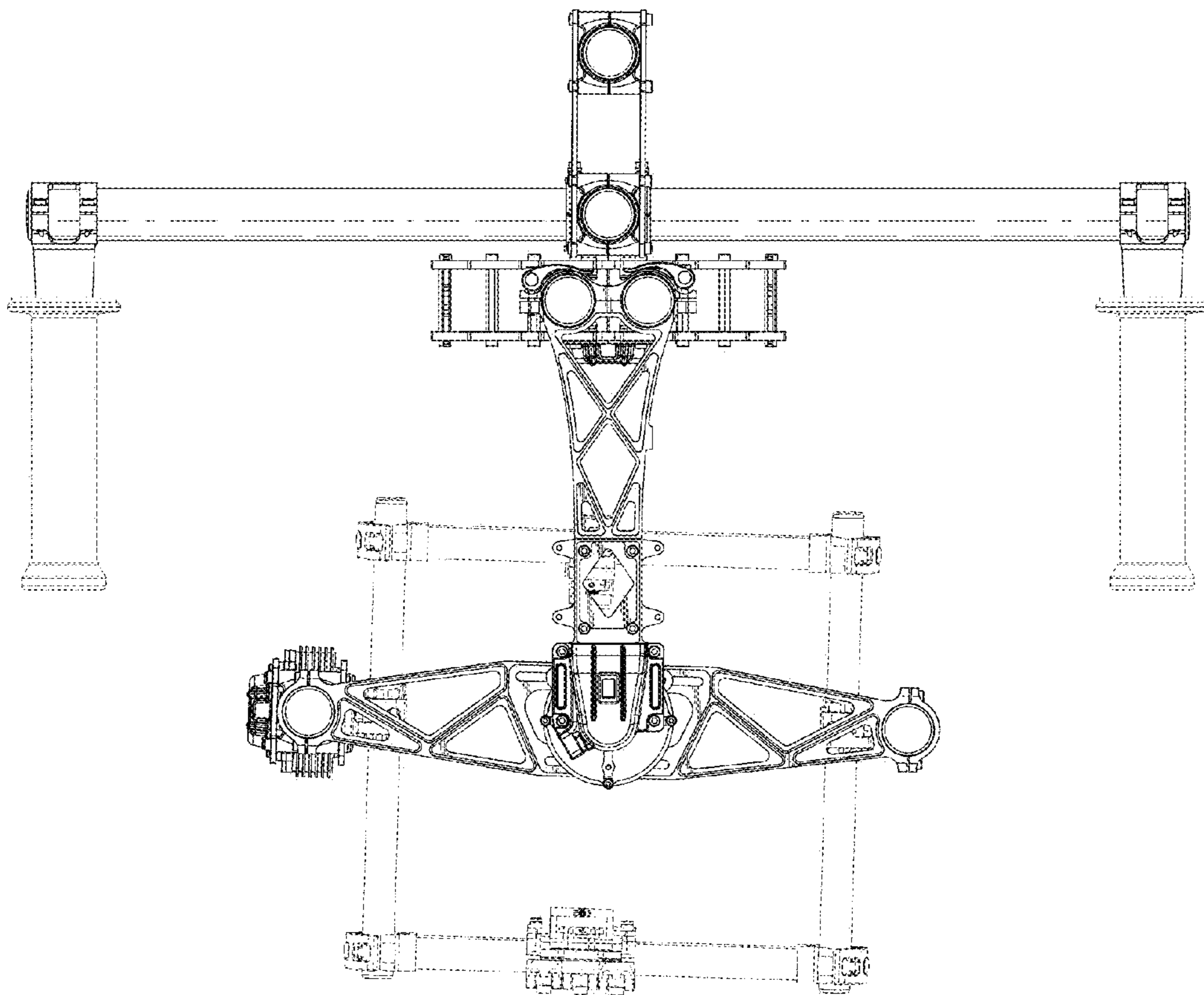
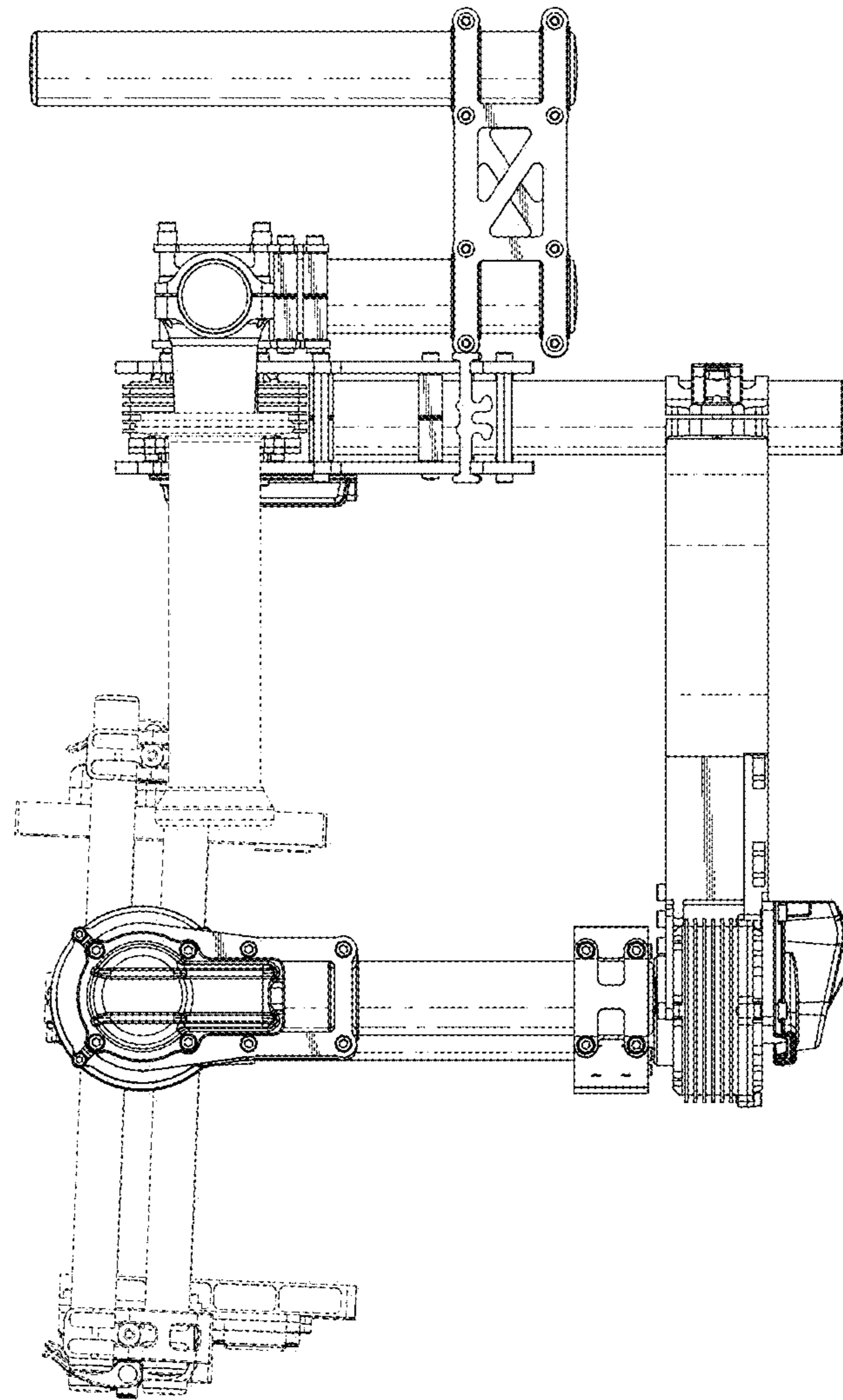


FIG. 4



*FIG. 5*

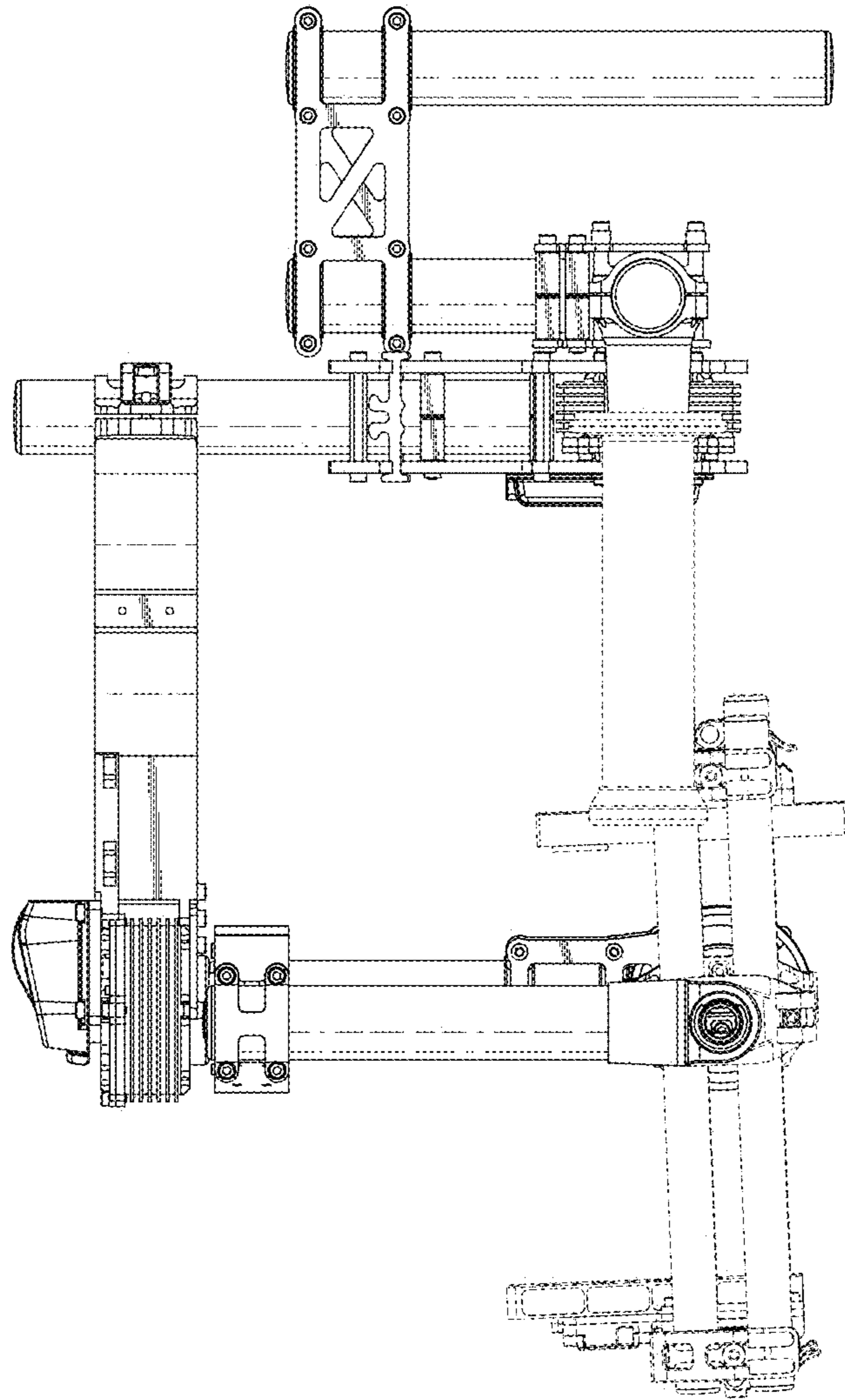


FIG. 6



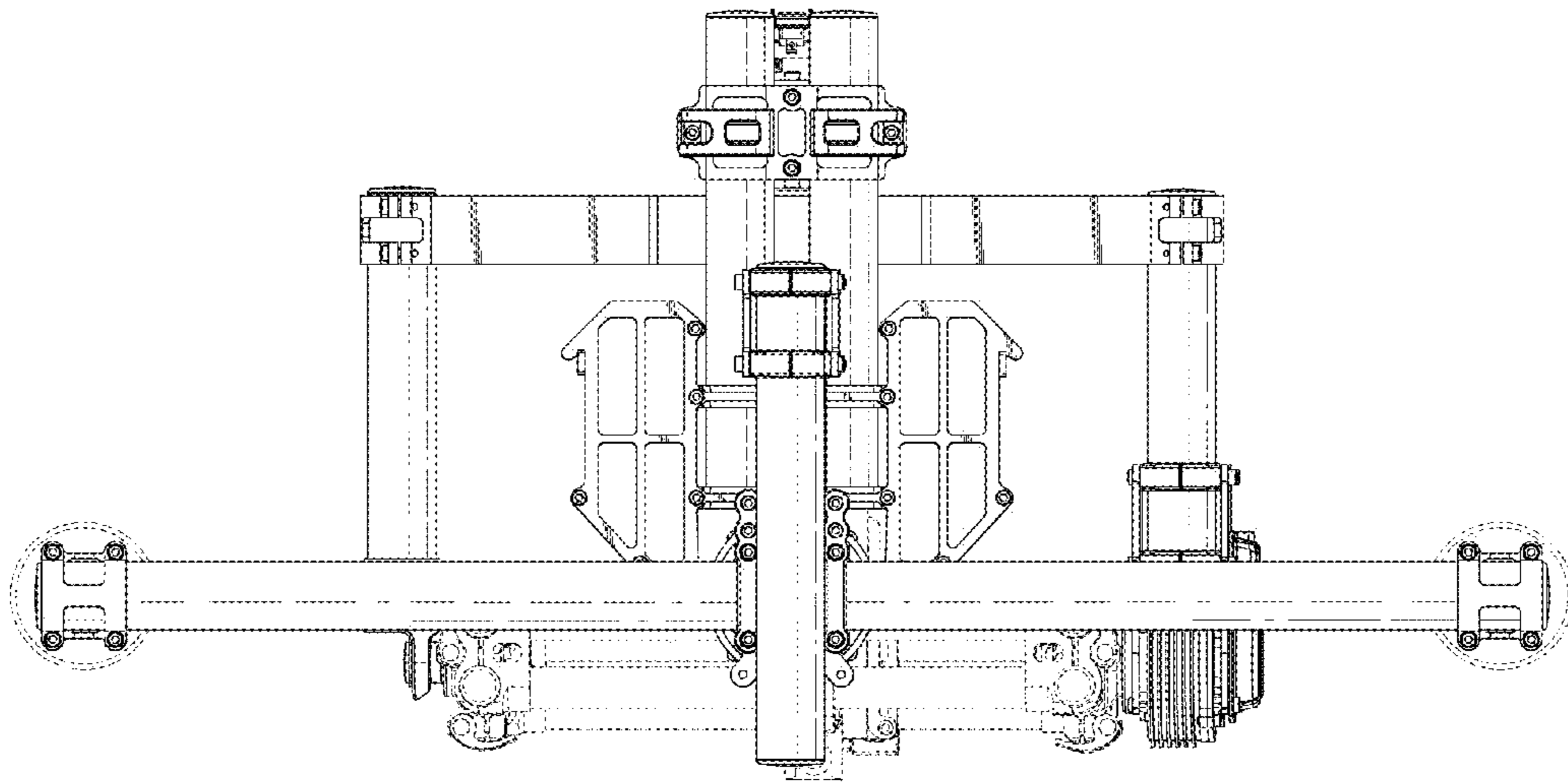


FIG. 7

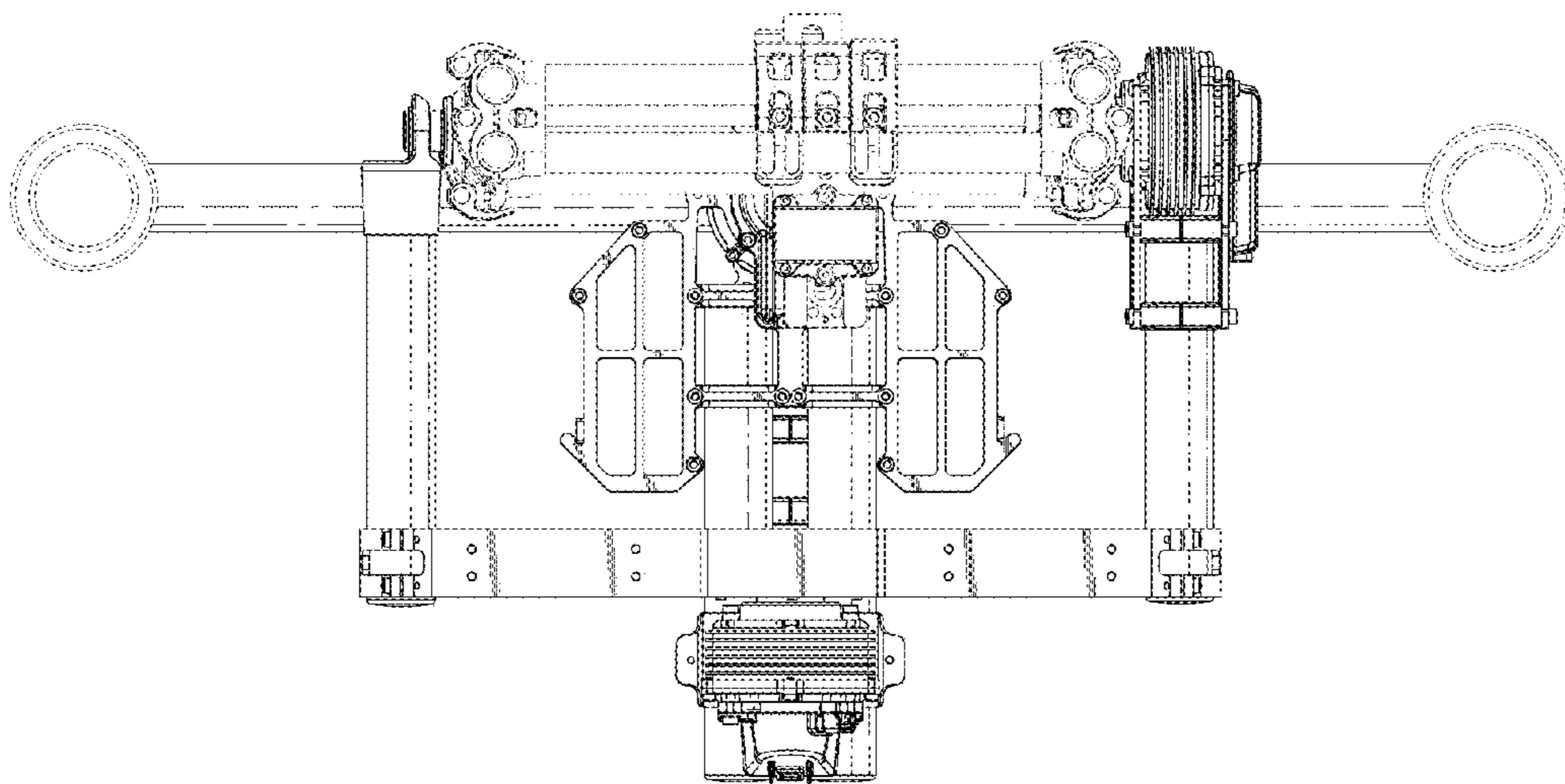


FIG. 8

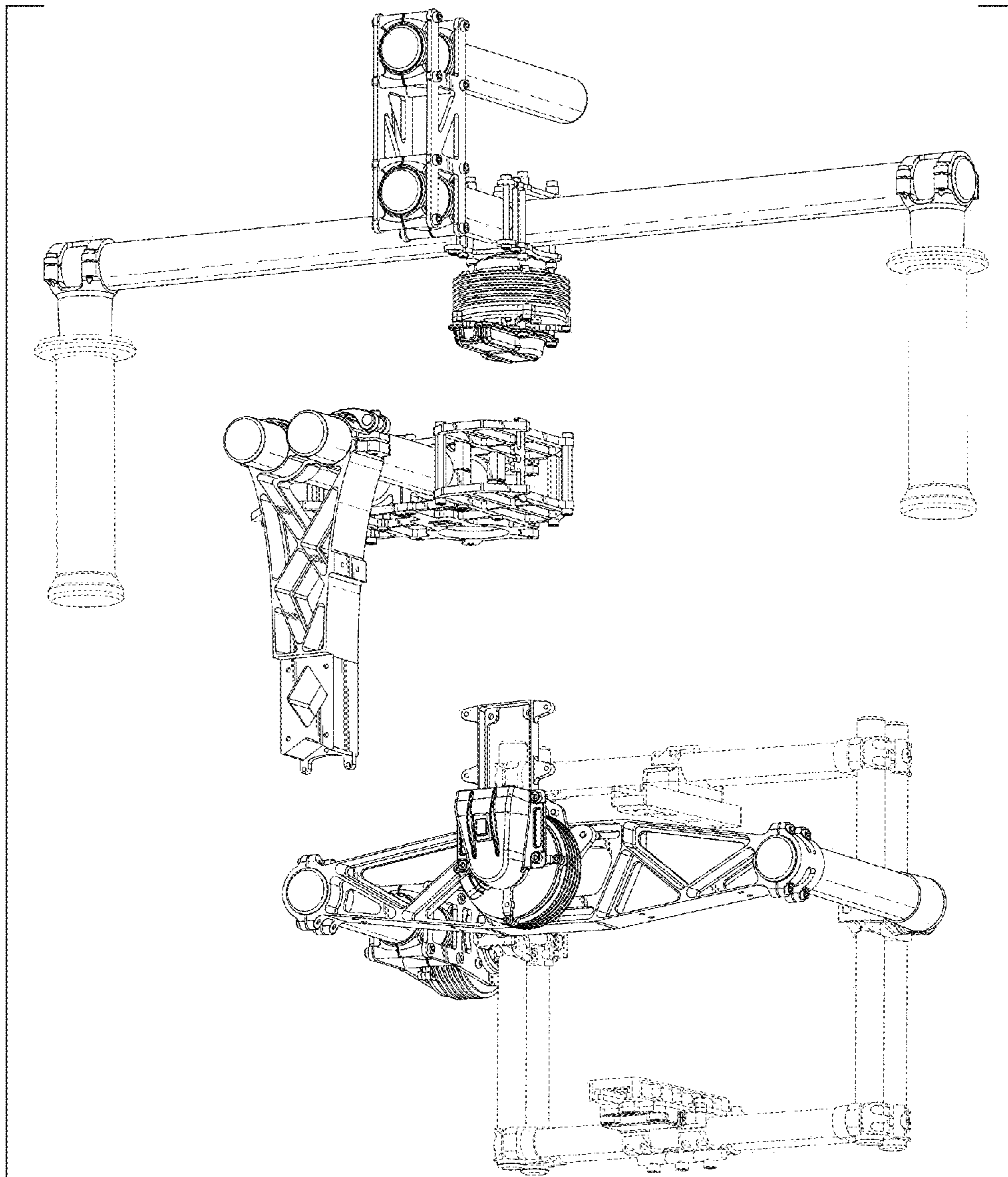


FIG. 9

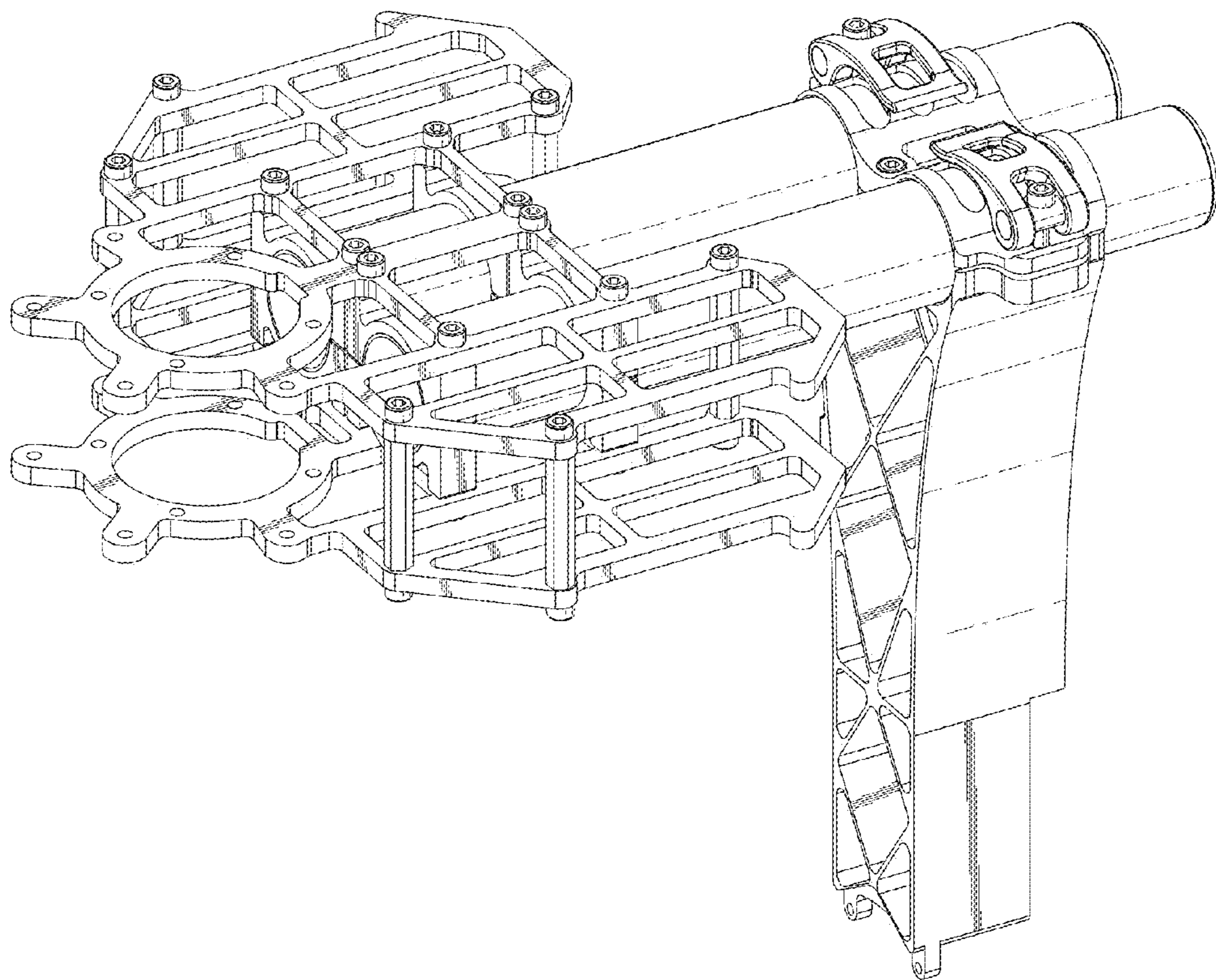
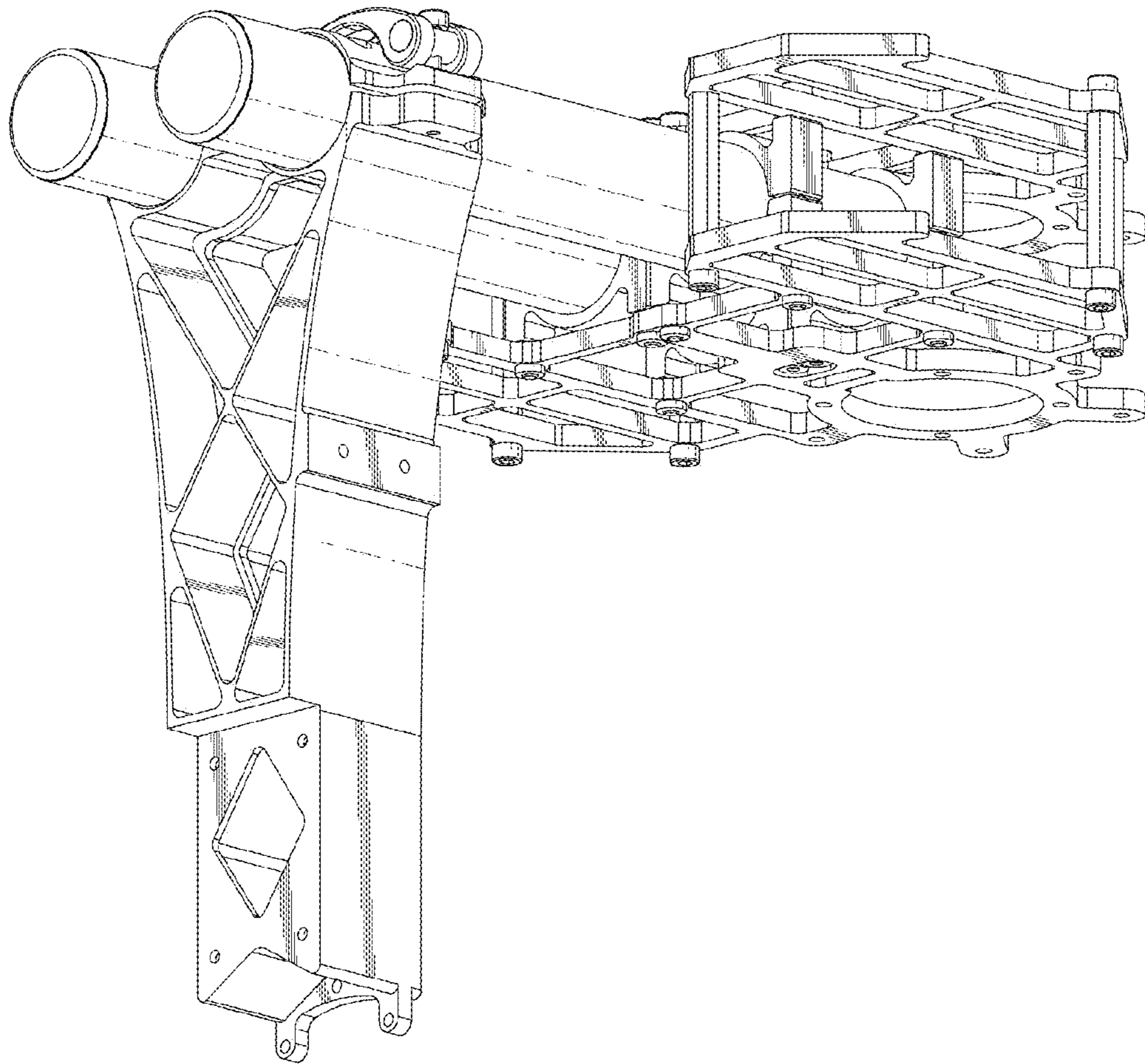
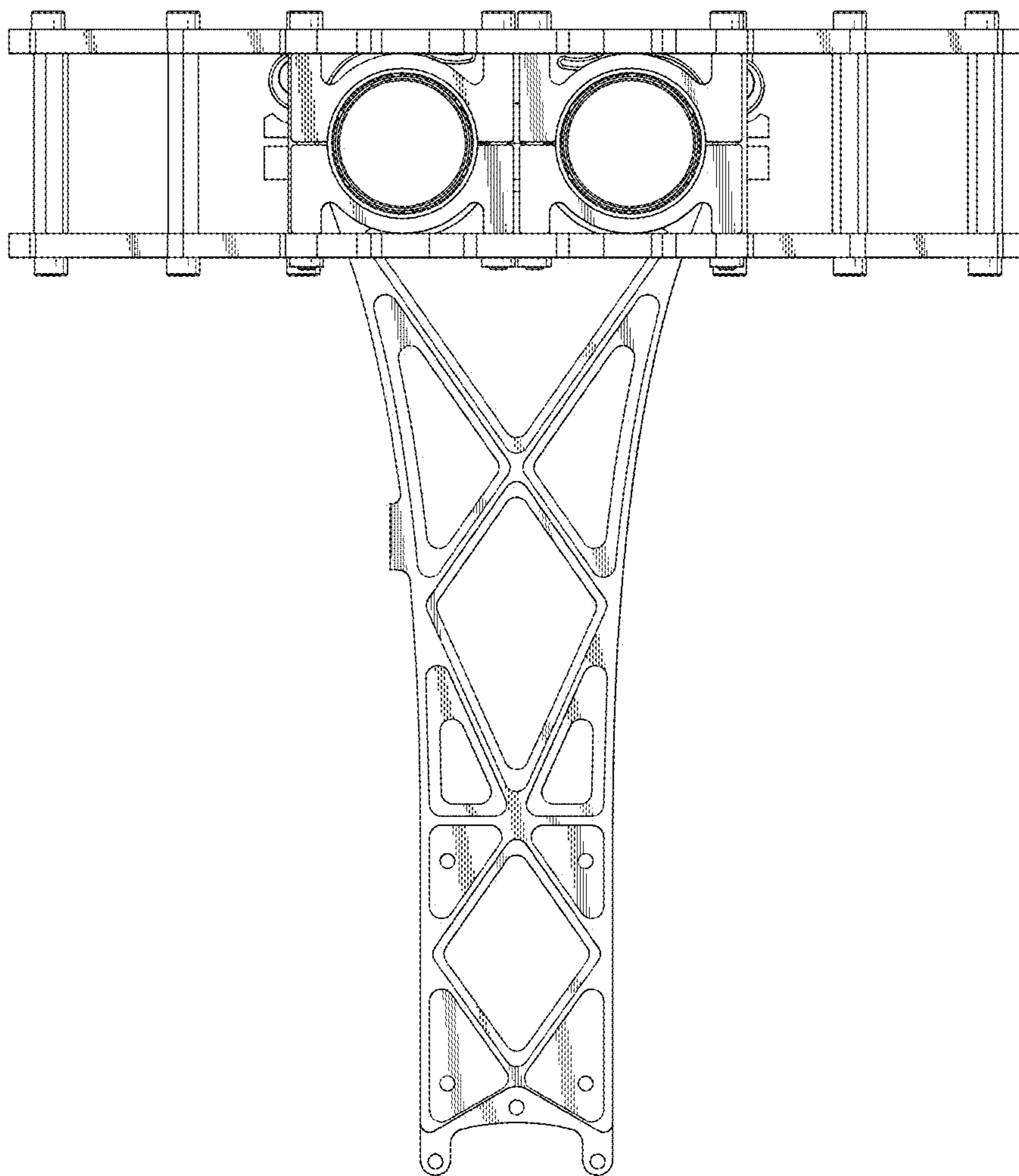


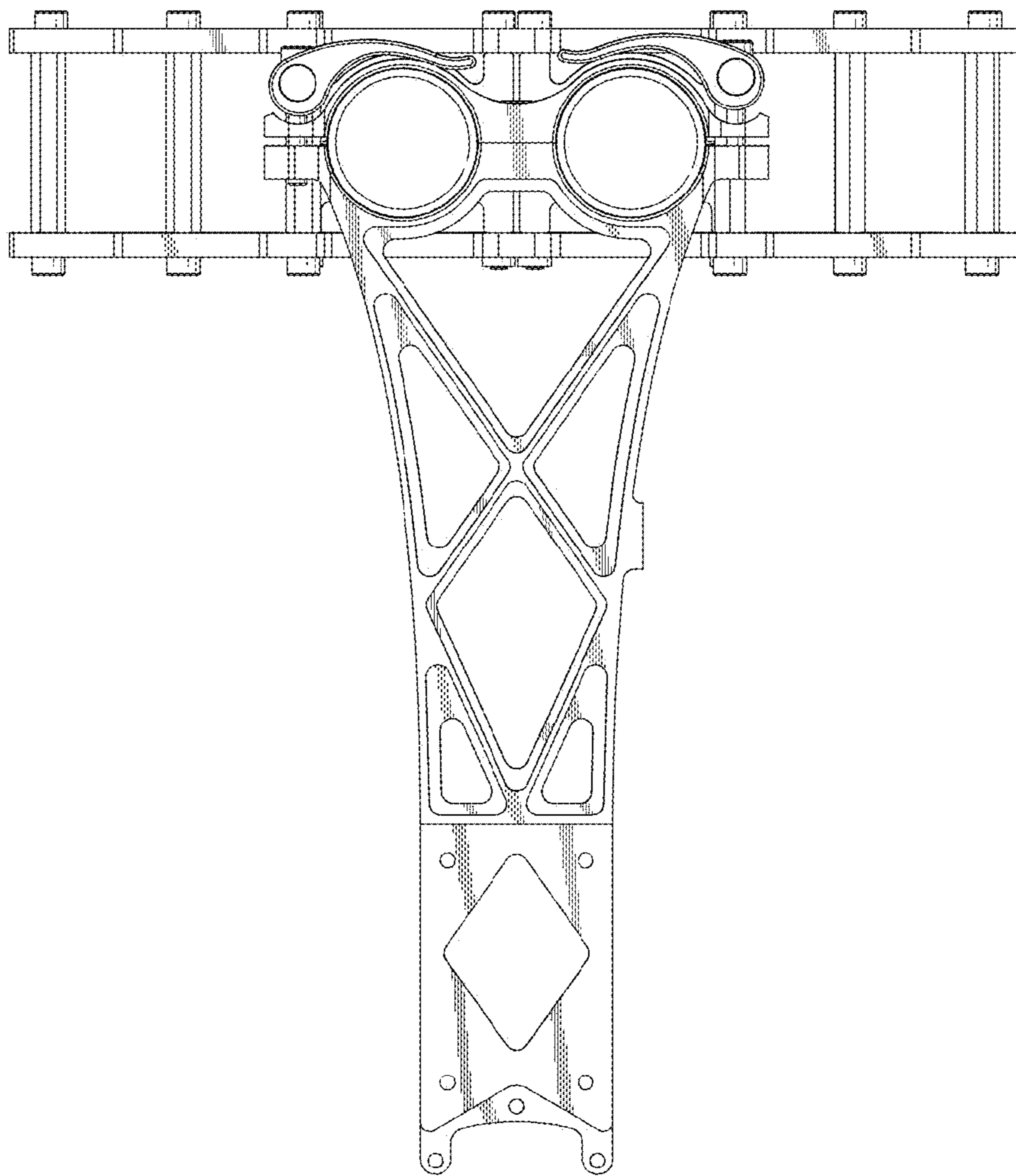
FIG. 10



**FIG. 11**



*FIG. 12*



**FIG. 13**

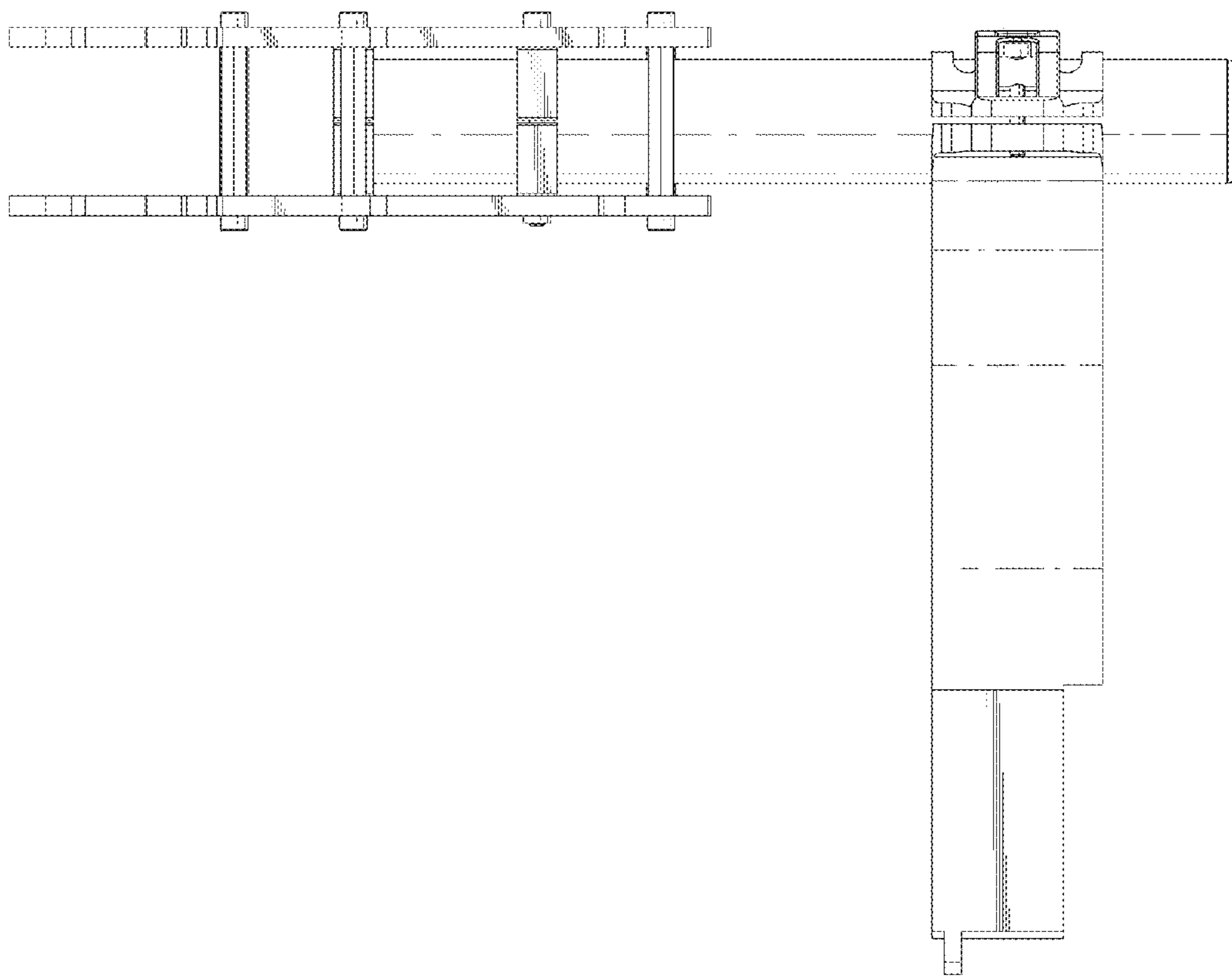


FIG. 14

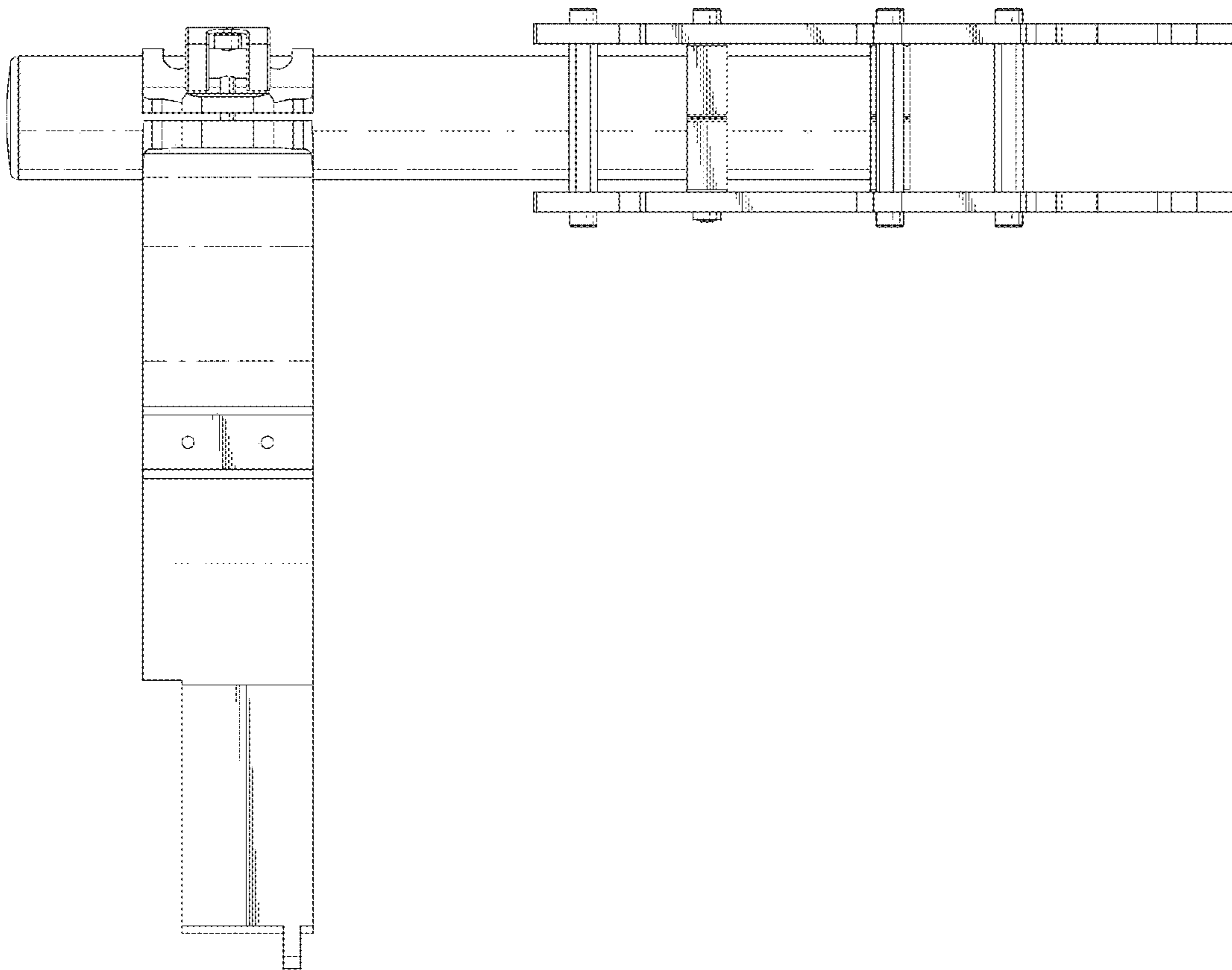
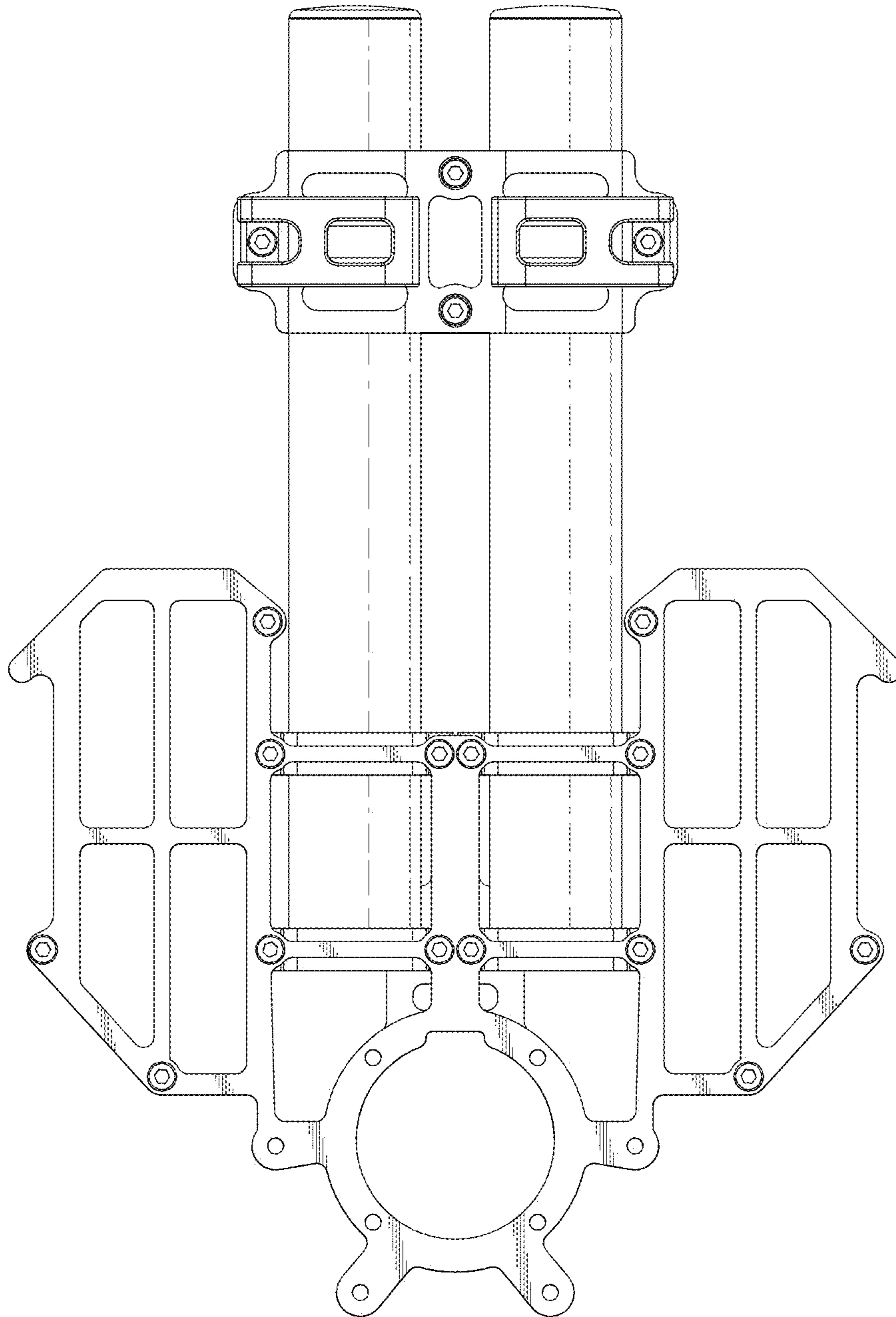
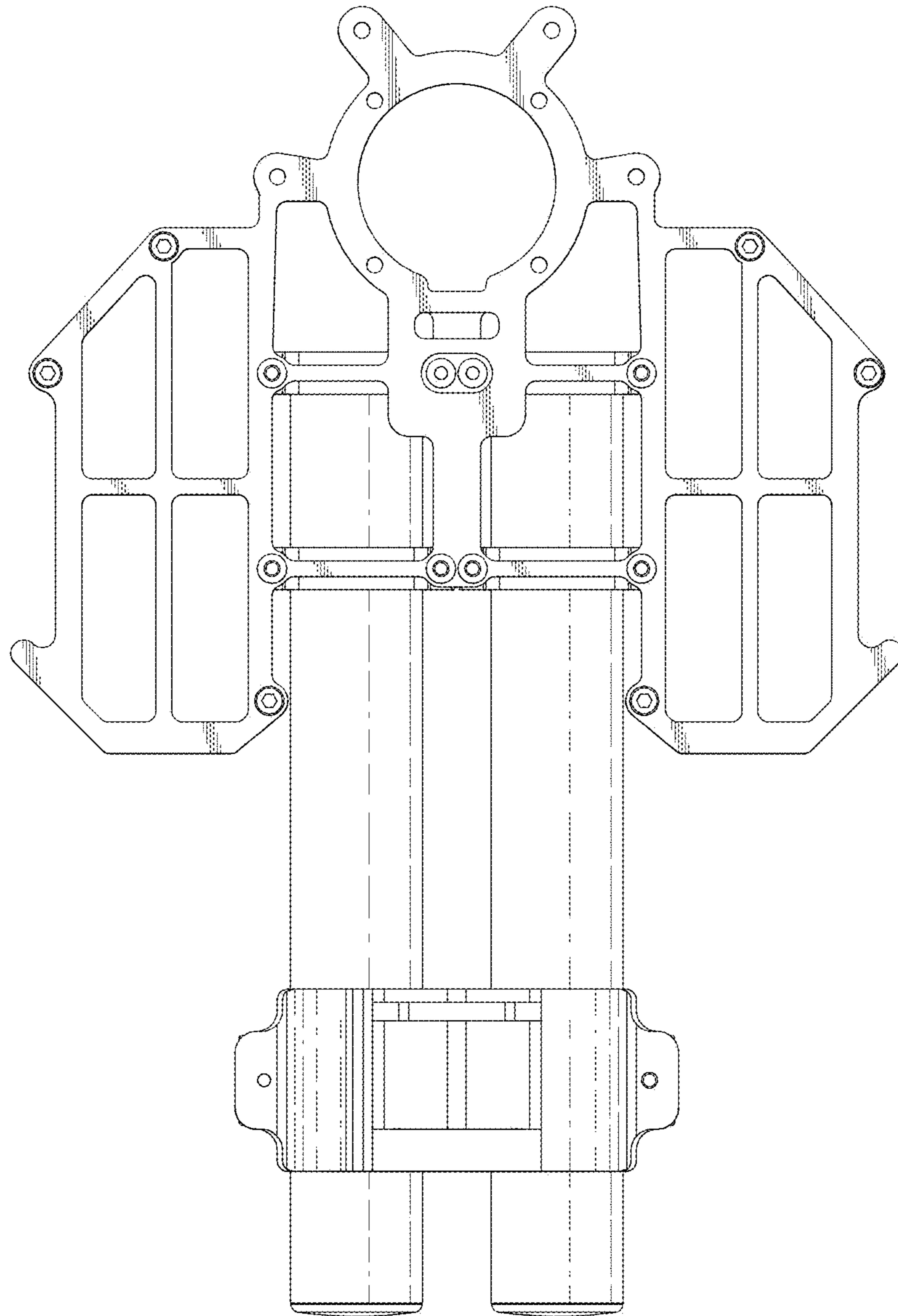


FIG. 15





**FIG. 16**



**FIG. 17**

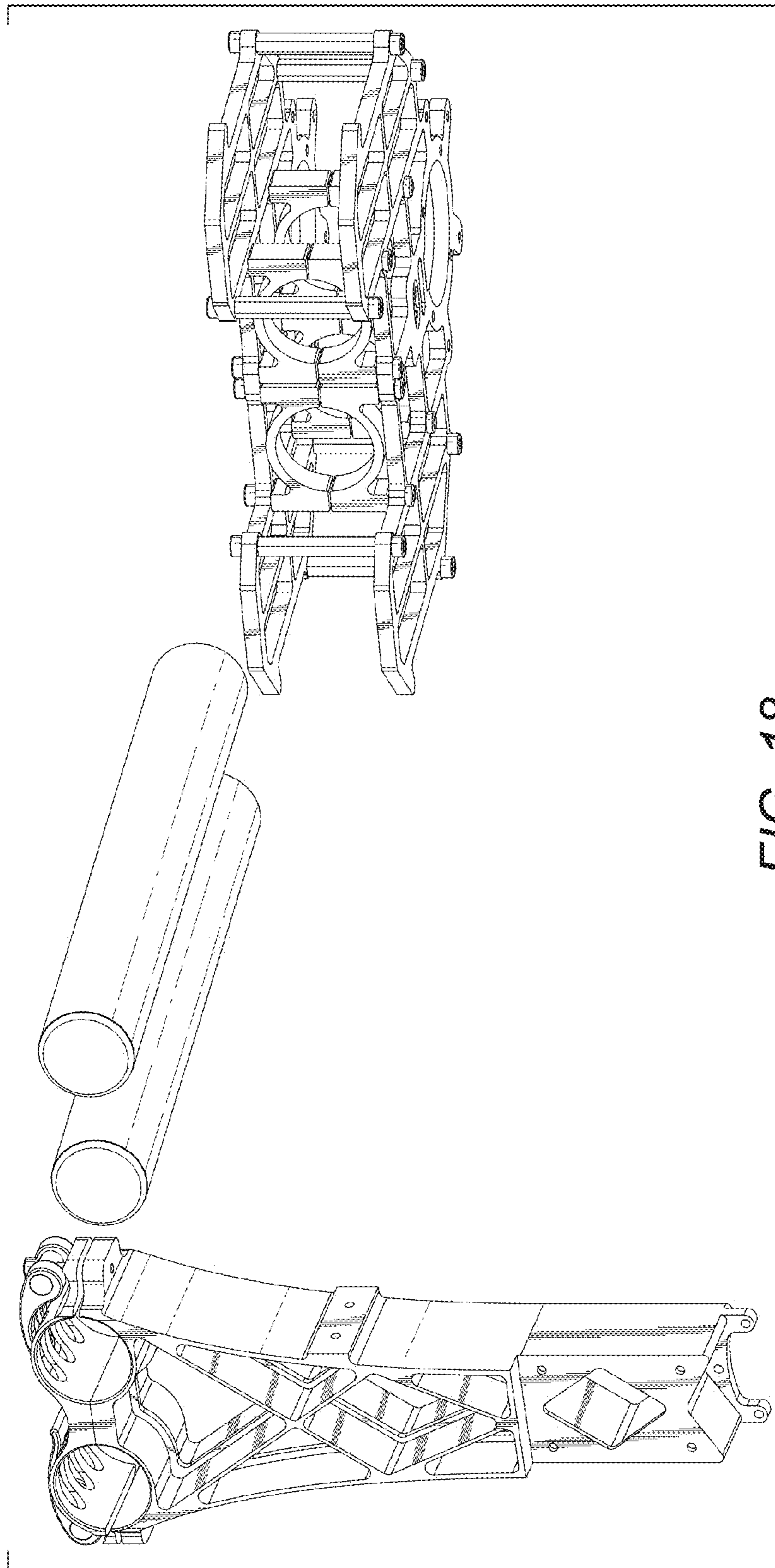
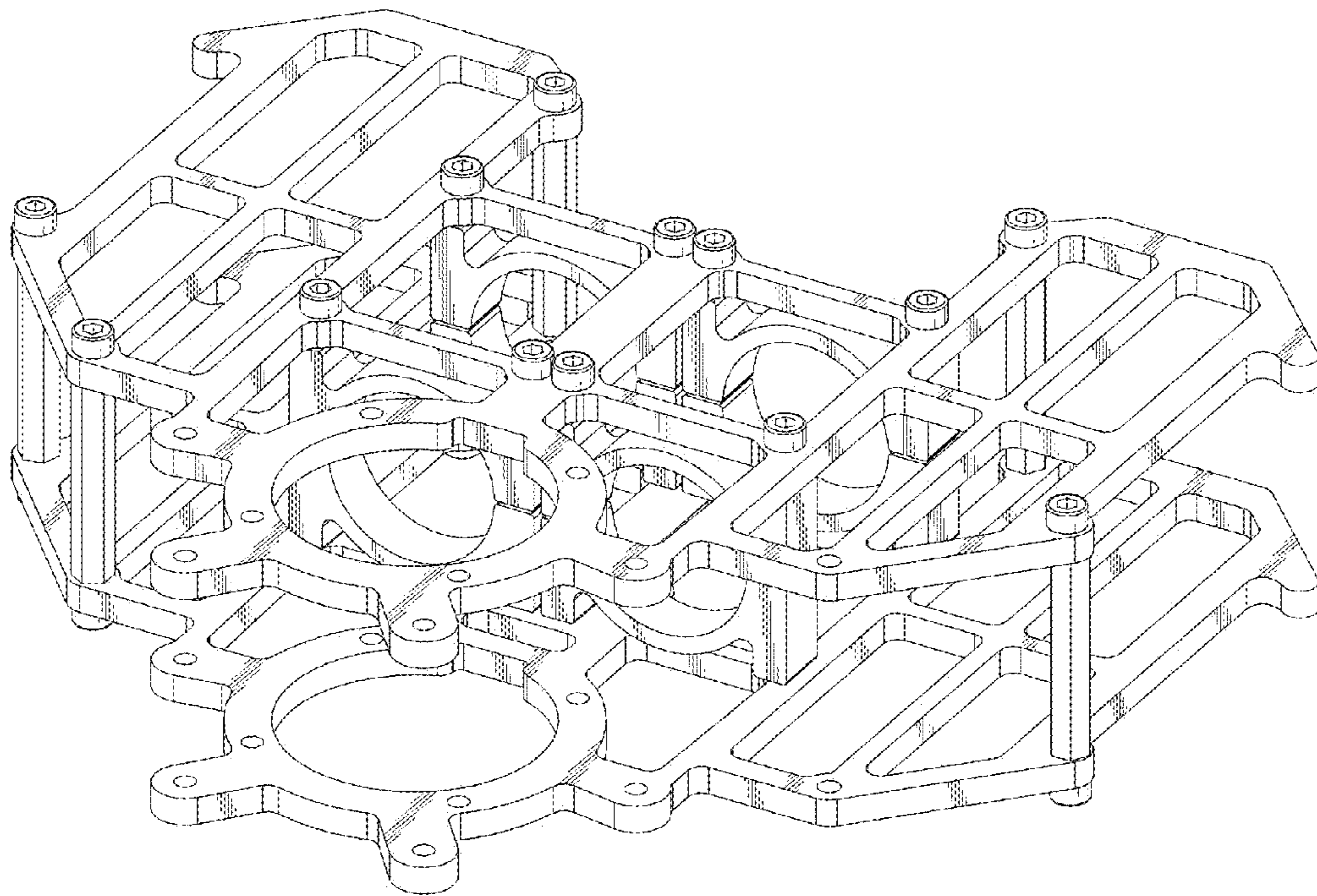
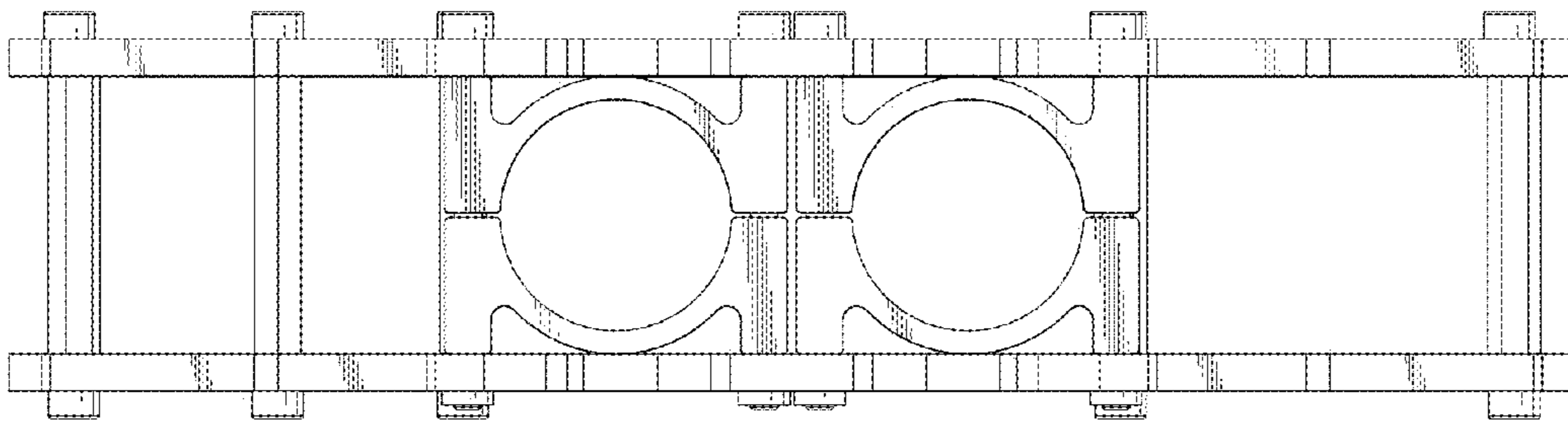


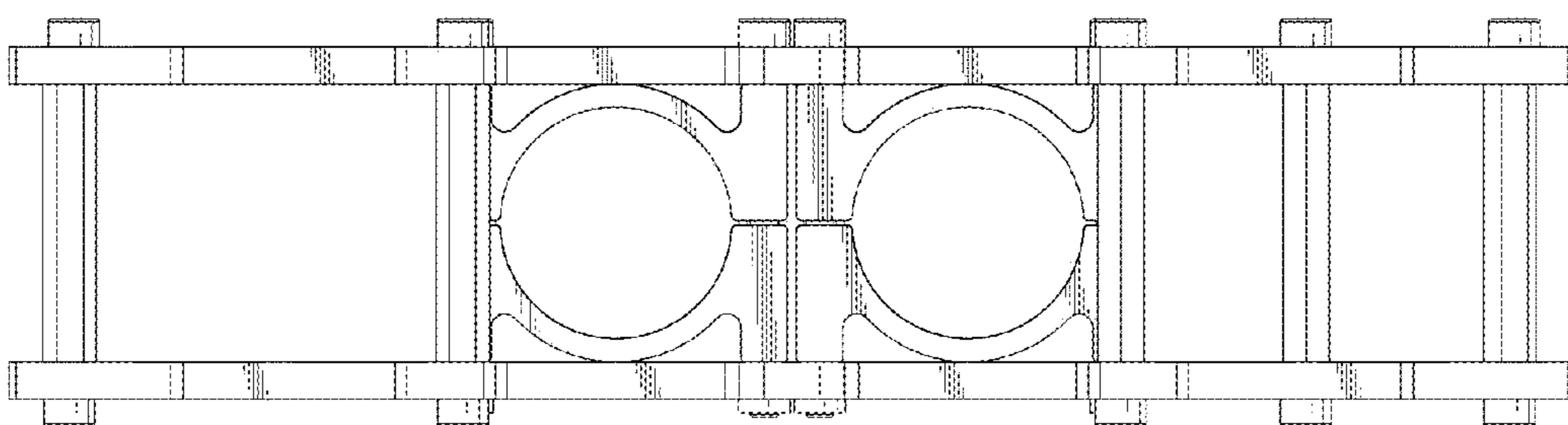
FIG. 18



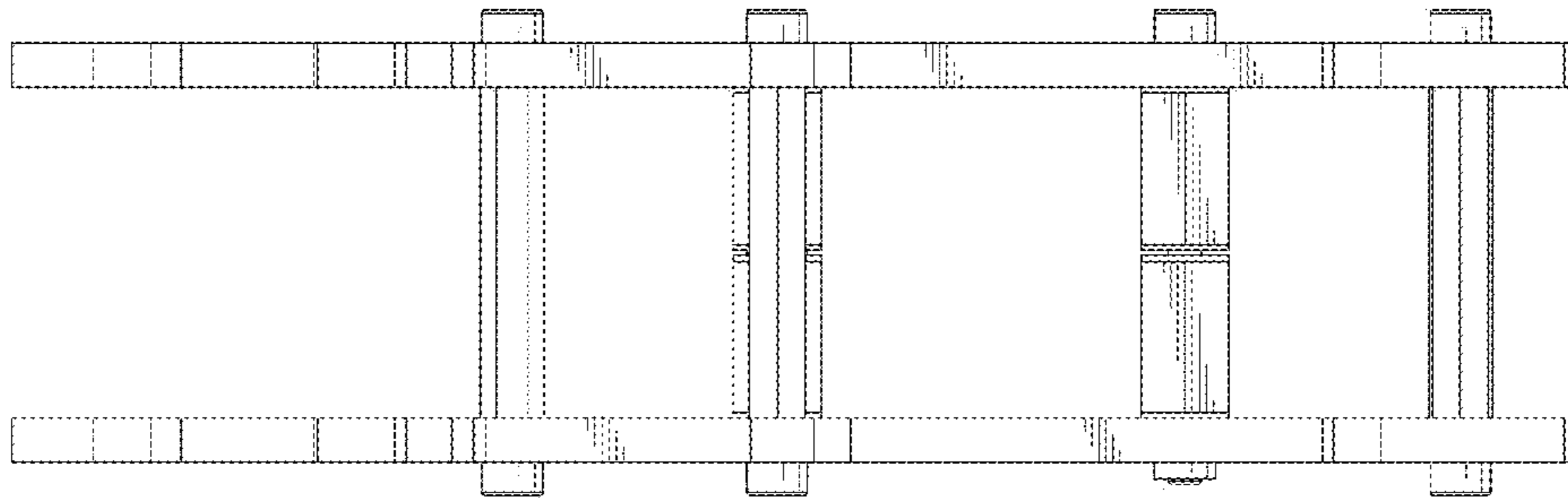
*FIG. 19*



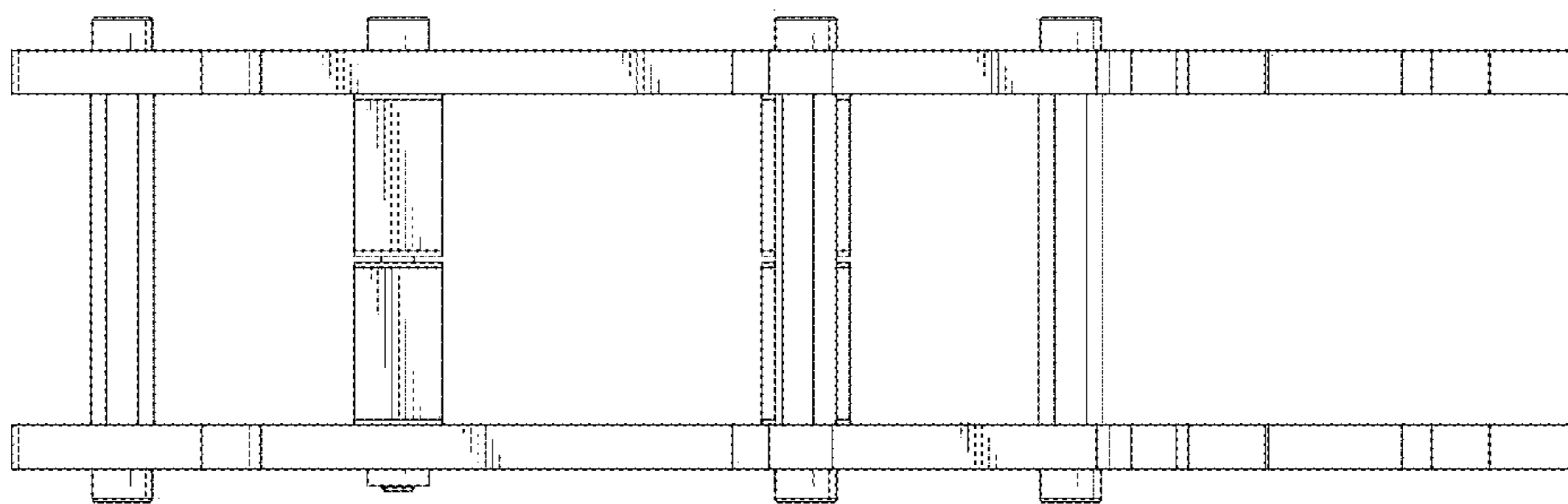
*FIG. 20*



*FIG. 21*



*FIG. 22*



*FIG. 23*

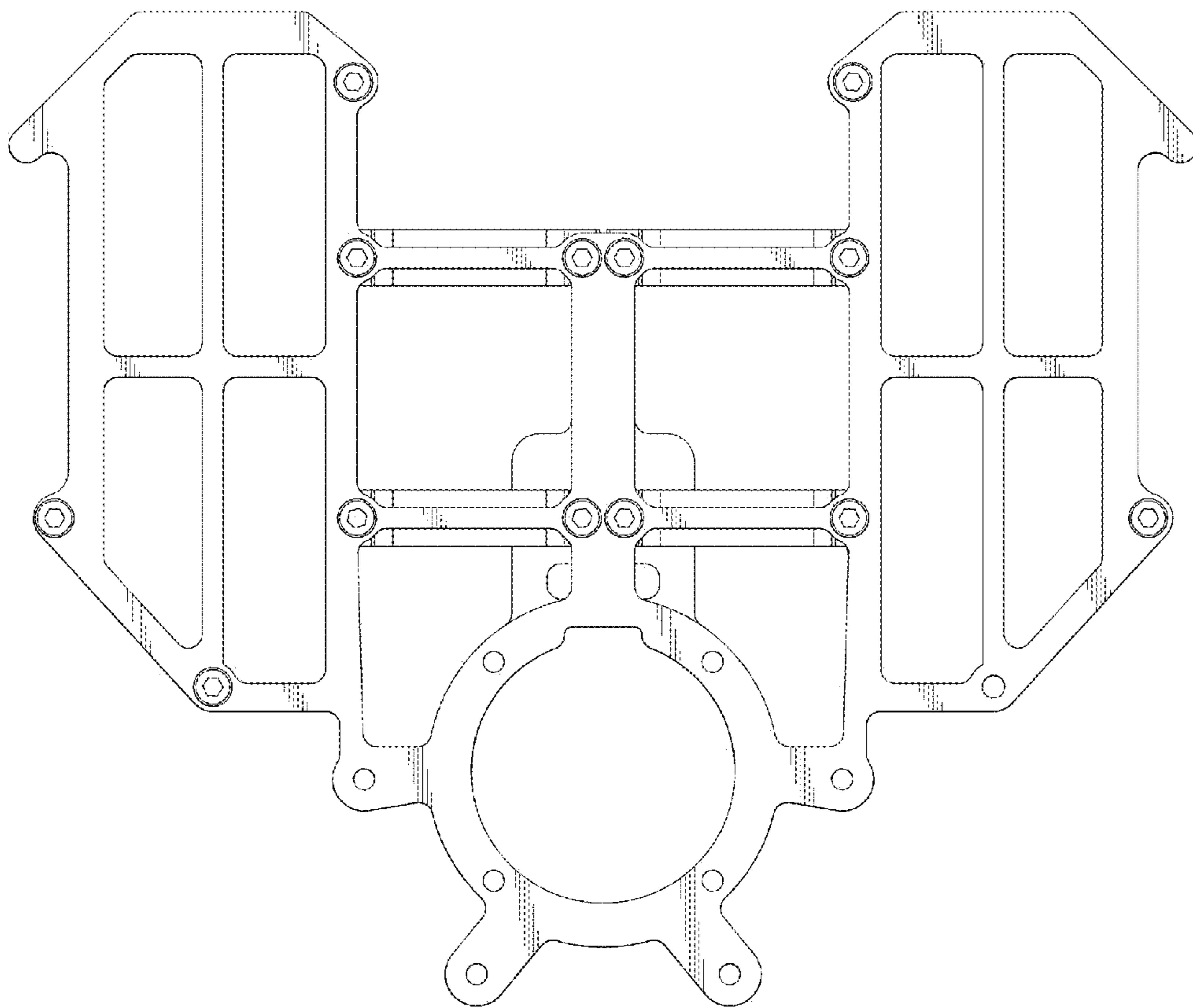


FIG. 24

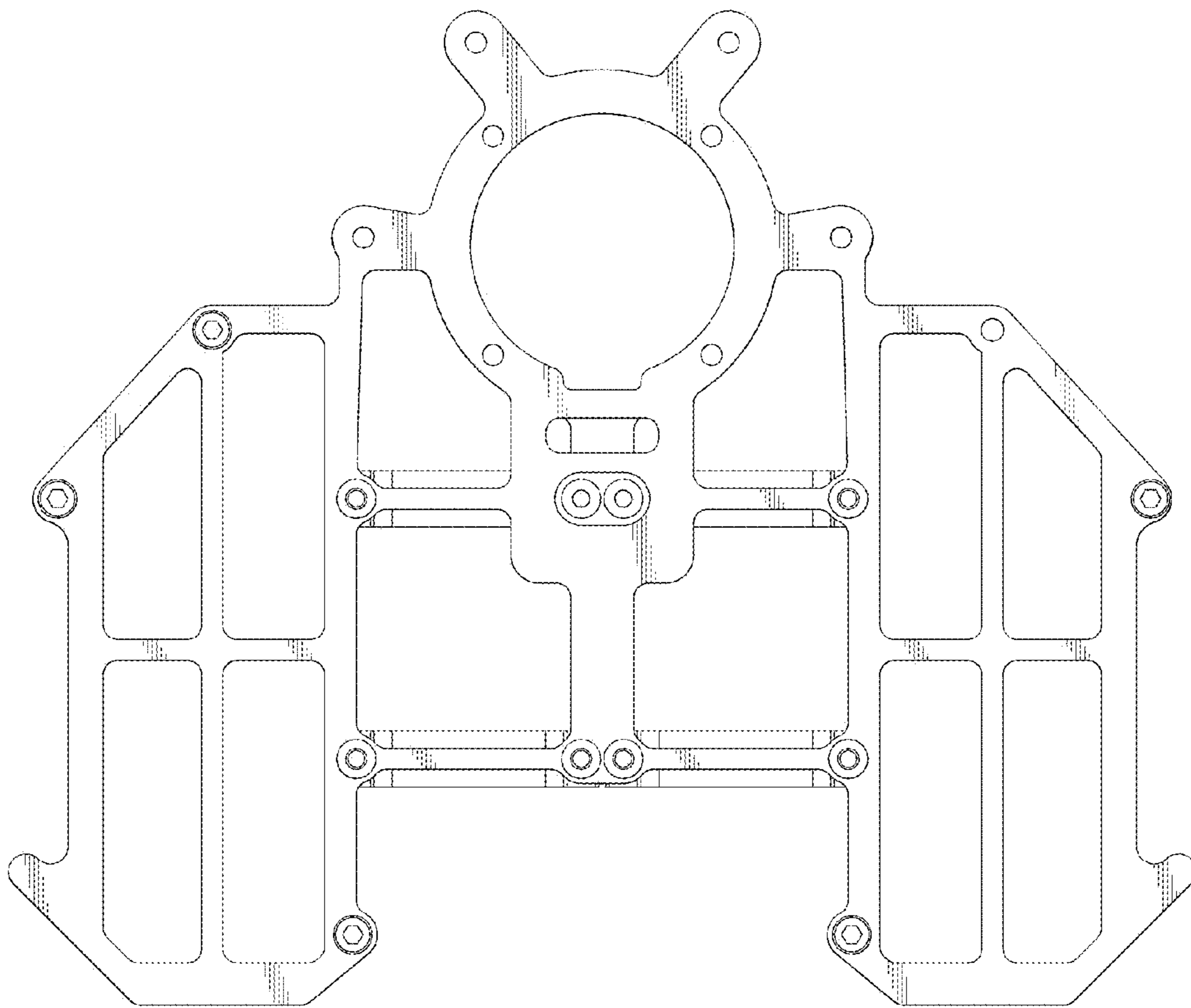
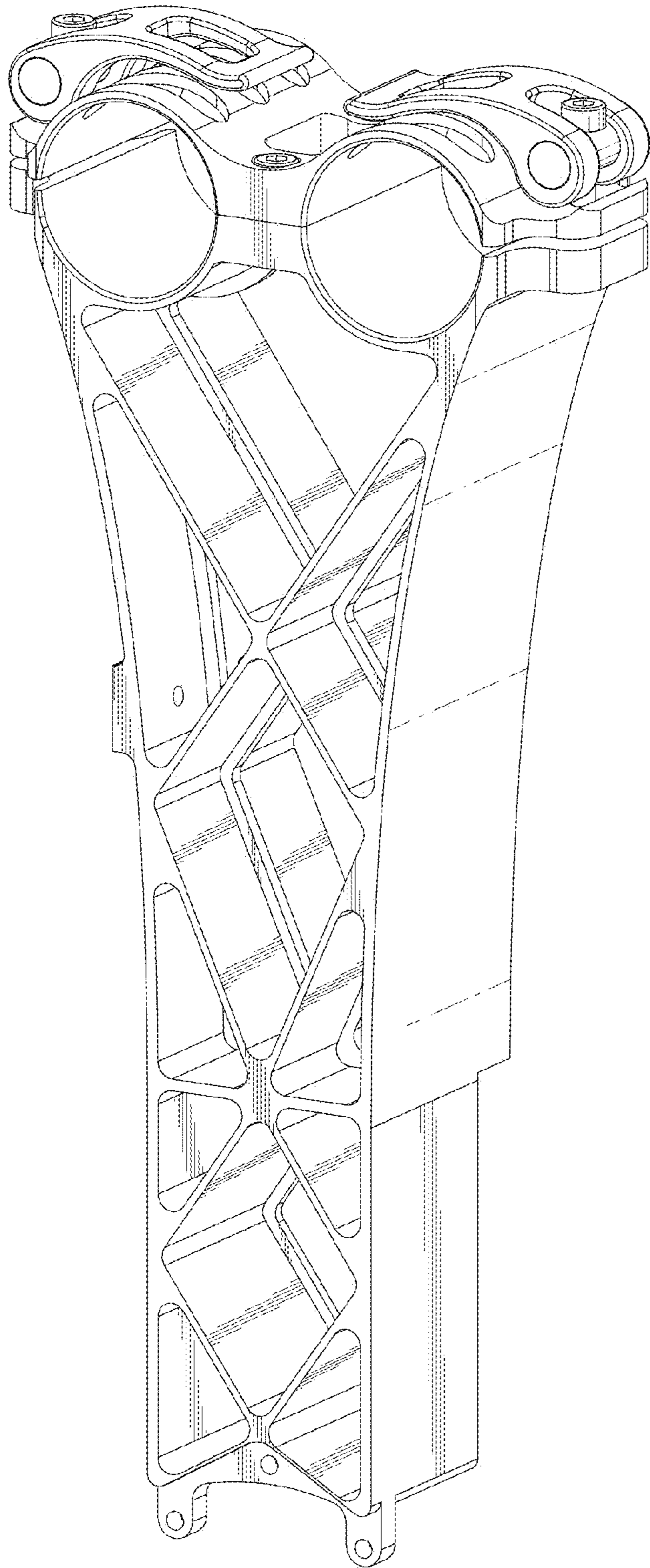
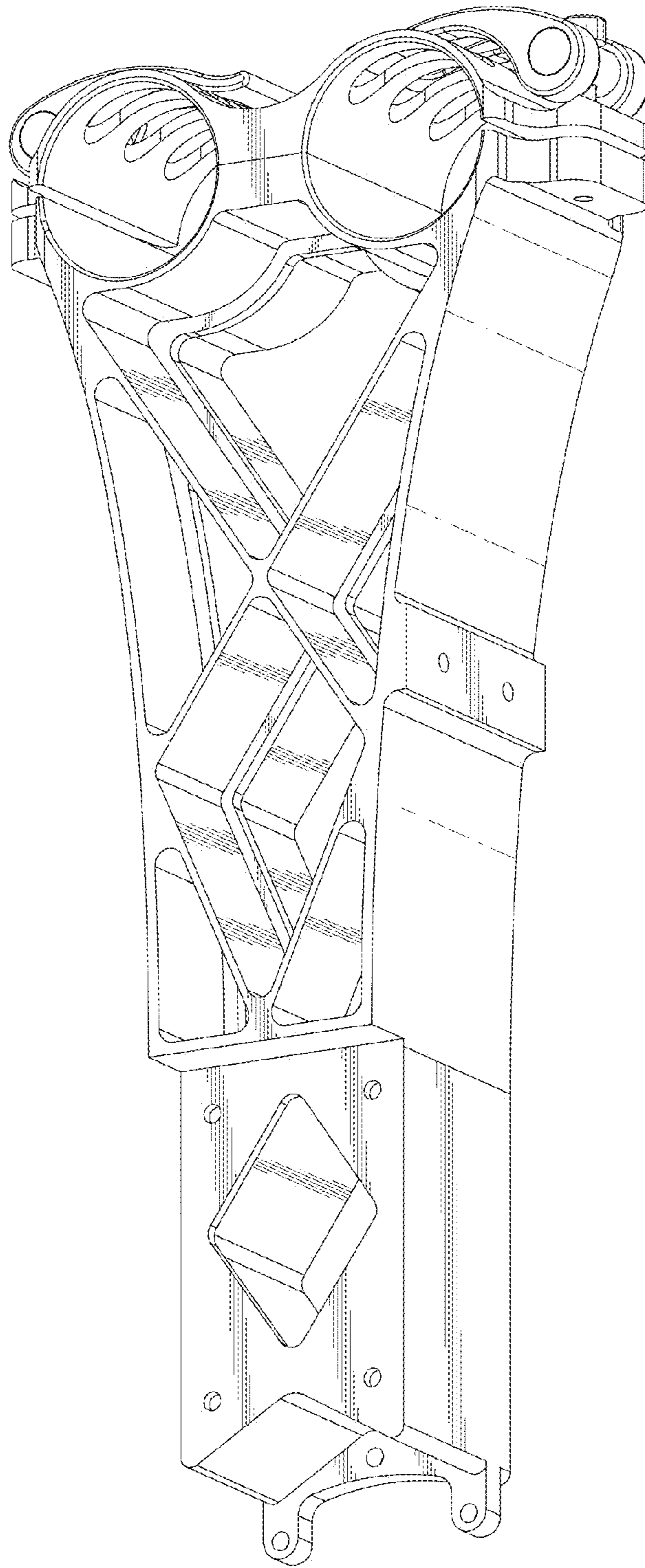


FIG. 25

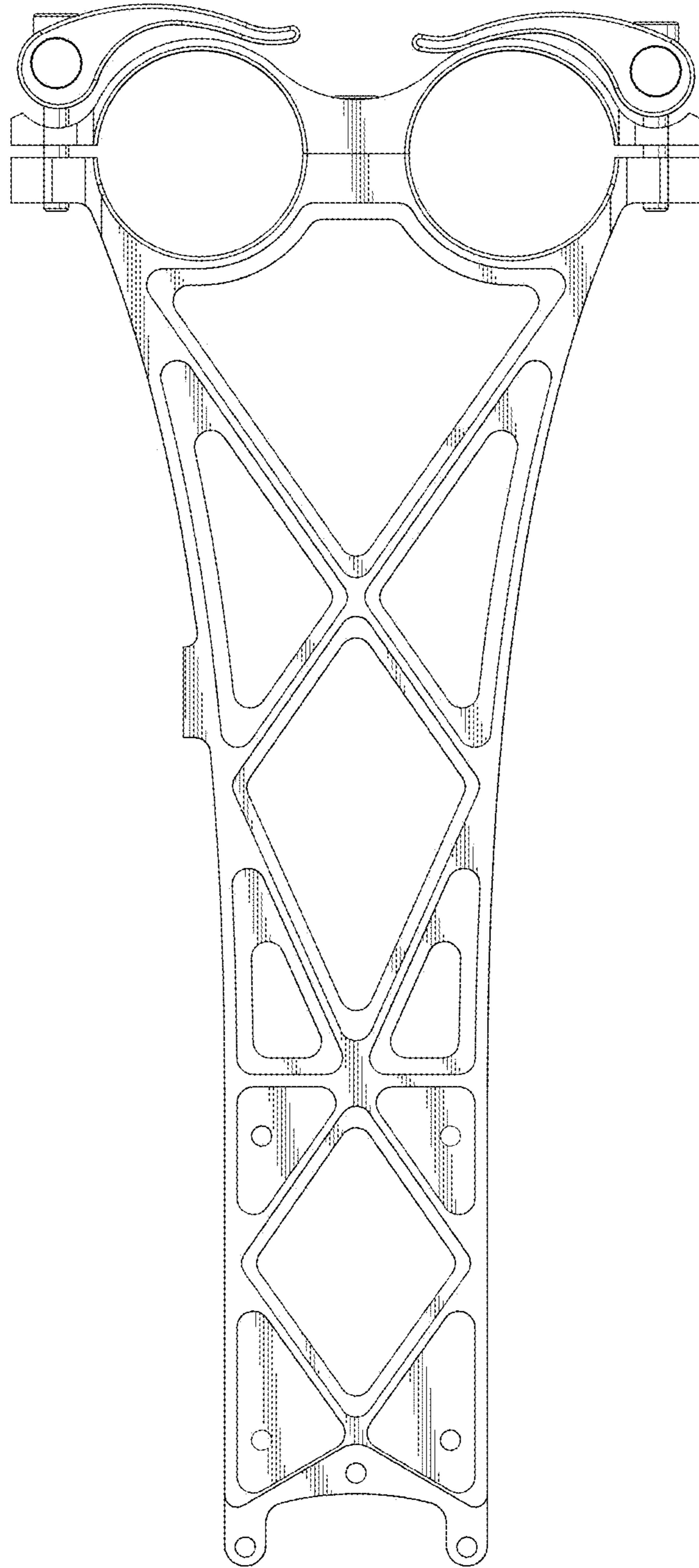




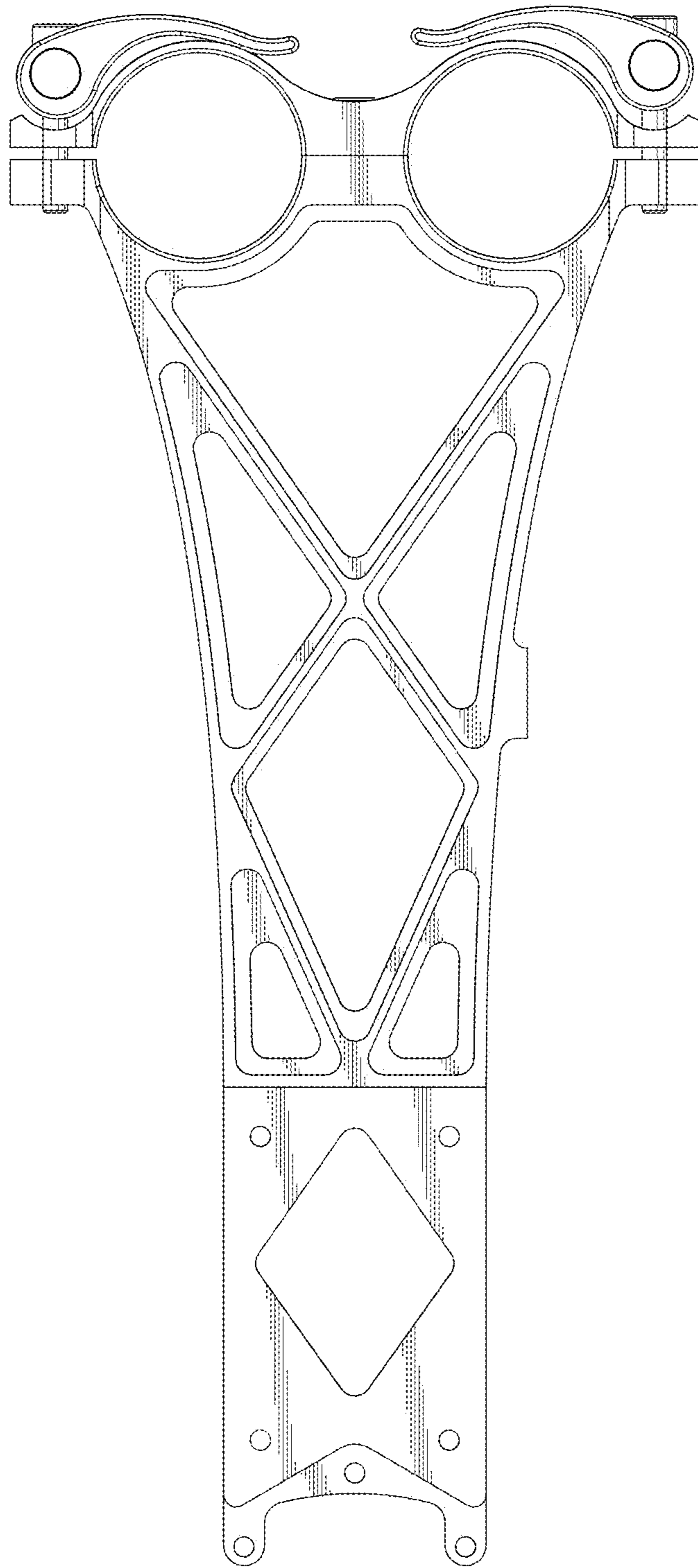
**FIG. 26**



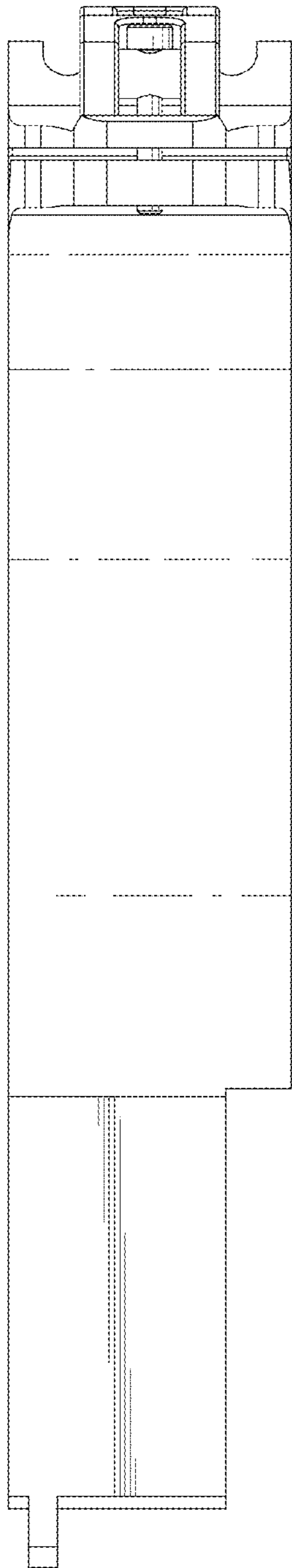
**FIG. 27**



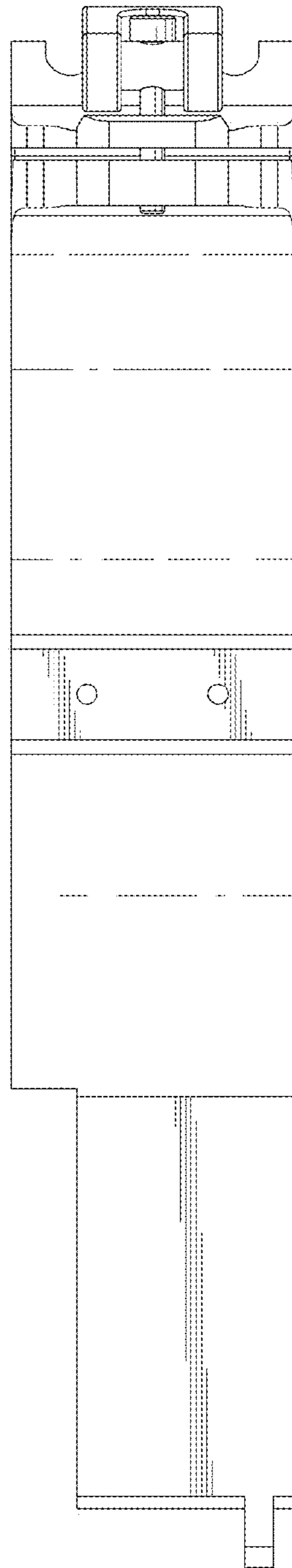
**FIG. 28**



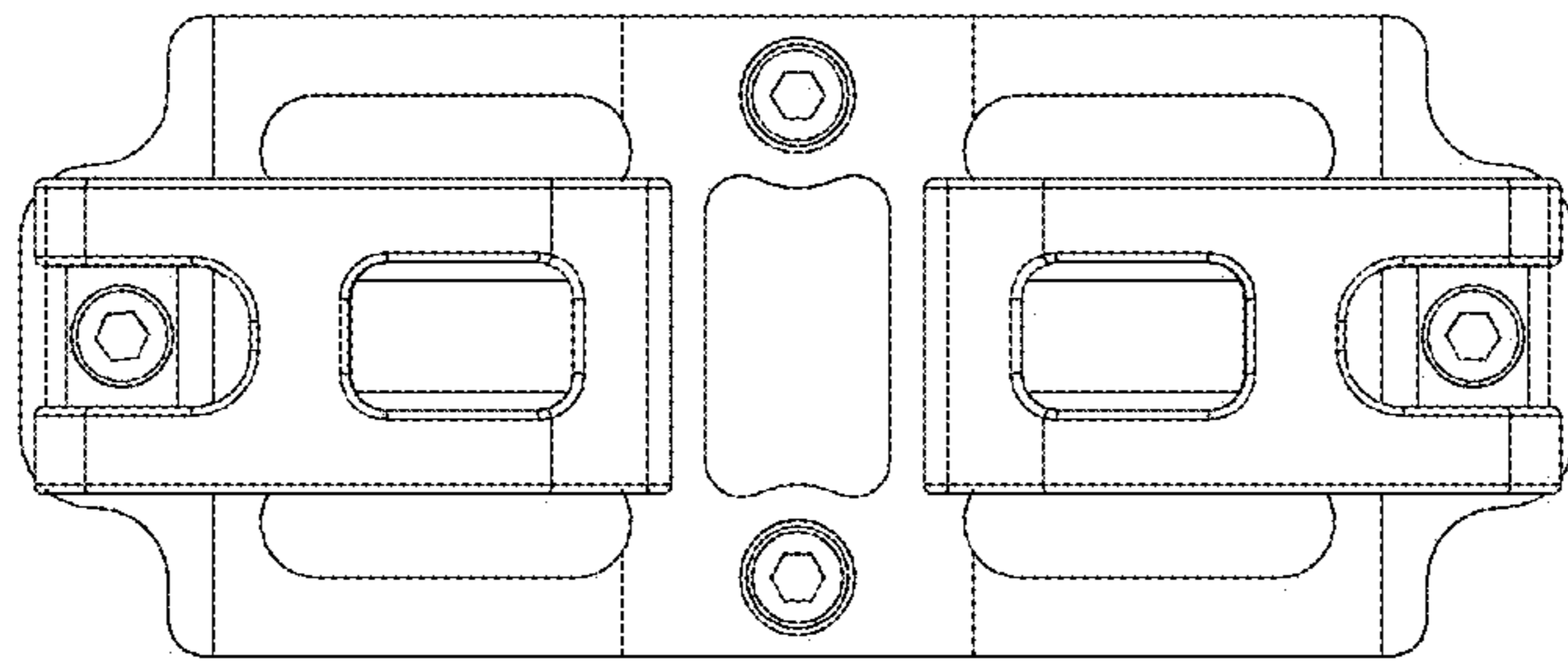
**FIG. 29**



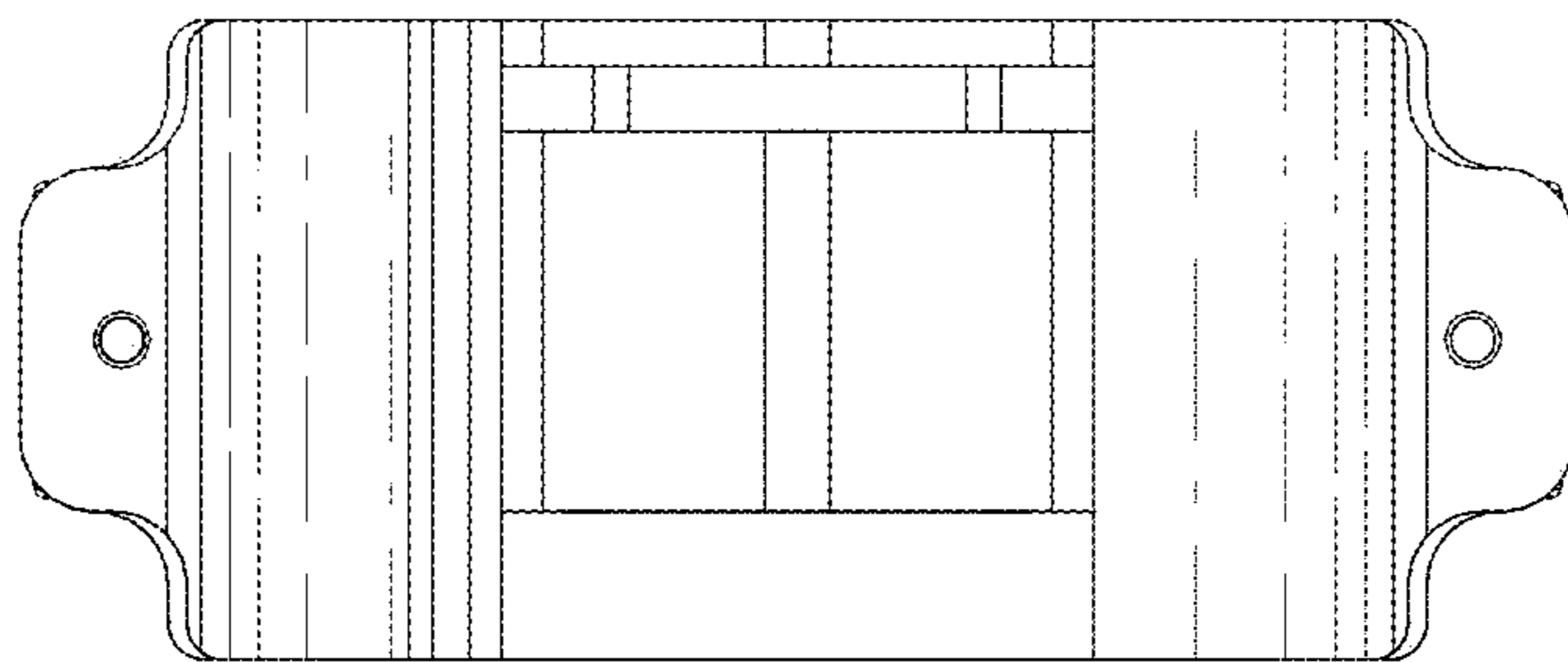
*FIG. 30*



*FIG. 31*



**FIG. 32**



**FIG. 33**