



US00D744579S

(12) **United States Design Patent**  
**Cope**

(10) **Patent No.:** **US D744,579 S**  
(45) **Date of Patent:** **\*\* Dec. 1, 2015**

- (54) **TUNNEL SHAPED DISPLAY**
- (71) Applicant: **NanoLumens Acquisition, Inc.**,  
Norcross, GA (US)
- (72) Inventor: **Richard C. Cope**, Duluth, GA (US)
- (73) Assignee: **Nanolumens Acquisition, Inc.**,  
Norcross, GA (US)
- (\*\*) Term: **15 Years**
- (21) Appl. No.: **29/537,920**
- (22) Filed: **Aug. 31, 2015**
- (51) **LOC (10) Cl.** ..... **16-05**
- (52) **U.S. Cl.**  
USPC ..... **D16/241**
- (58) **Field of Classification Search**  
USPC ..... 1/1; D14/341, 371, 315; 362/97.4;  
345/55; D16/241, 237  
See application file for complete search history.

(56) **References Cited**

U.S. PATENT DOCUMENTS

1,526,715	A *	2/1925	Moon	.....	G03B 21/56 359/451
1,802,570	A *	4/1931	Ogletree	.....	G03B 21/13 353/10
2,753,818	A *	7/1956	Green	.....	G03B 21/56 135/119
3,469,837	A *	9/1969	Heilig	.....	A47C 1/12 297/217.3
3,514,871	A *	6/1970	Tucker	.....	G09B 9/32 352/70
3,695,751	A *	10/1972	Watanuki	.....	G03B 37/00 352/70
3,763,348	A *	10/1973	Costello	.....	F21V 7/005 148/DIG. 4
4,022,522	A *	5/1977	Rain	.....	G03B 21/56 359/443

(Continued)

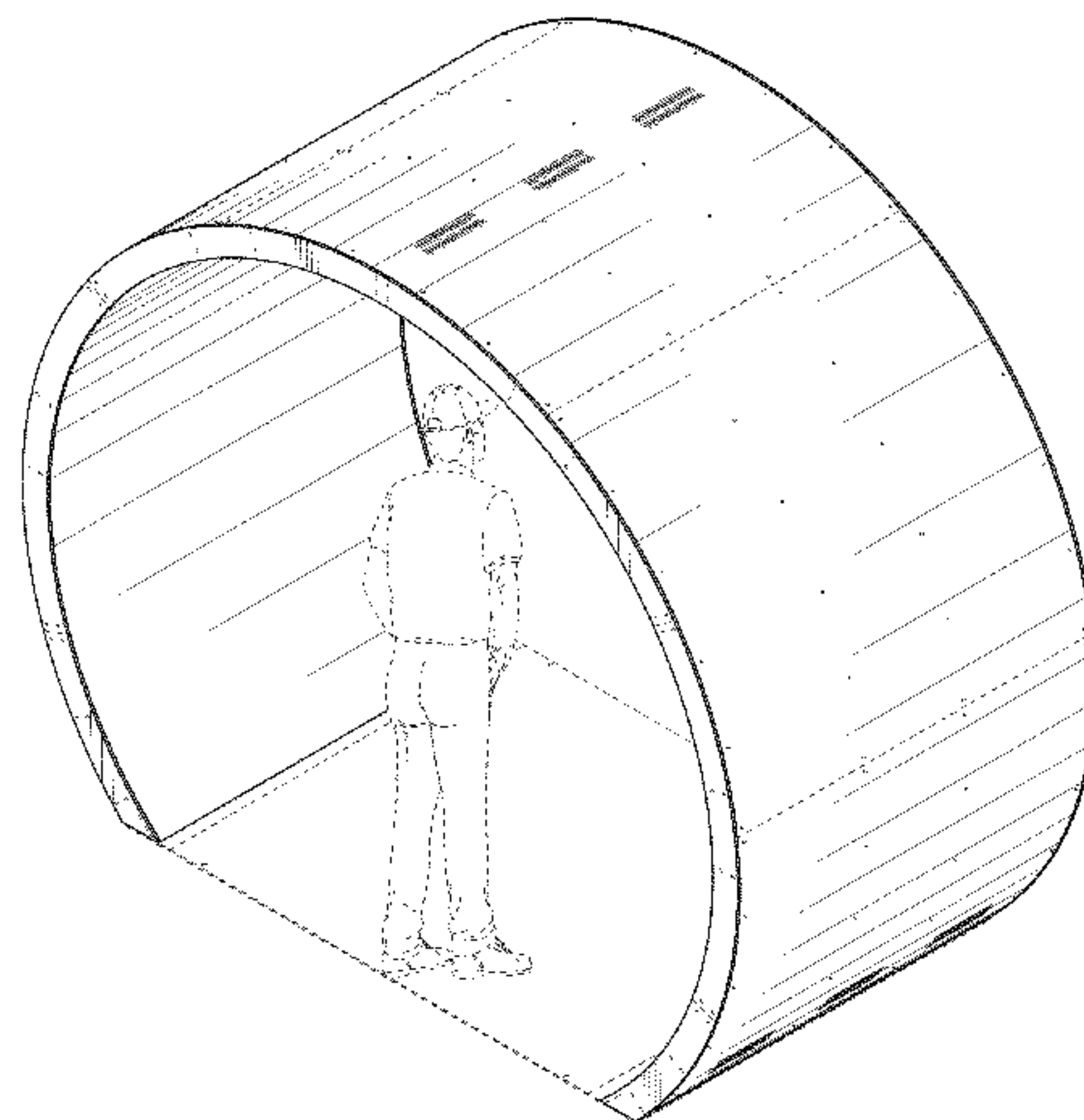
Primary Examiner — Cynthia Underwood  
(74) Attorney, Agent, or Firm — Theodore Heske, III

(57) **CLAIM**  
The ornamental design for a tunnel shaped display, as shown and described.

**DESCRIPTION**

FIG. 1 is a perspective view of a tunnel shaped display showing our new design;  
 FIG. 2 is a front elevation view thereof, FIG. 2 also indicating a section view that is further shown in FIG. 7;  
 FIG. 3 is a left elevation view thereof;  
 FIG. 4 is a right elevation view thereof;  
 FIG. 5 is a top plan view thereof;  
 FIG. 6 is a bottom plan view thereof;  
 FIG. 7 is a section view of the interior of the tunnel shaped display, the direction of the section view corresponding to what is indicated in FIG. 2.  
 FIG. 8 is a view of the same section view as shown in FIG. 7. In this view the tunnel shaped display is displaying content comprising a static image. The displayed content, shown in dashed lines, is for illustrative purposes and forms no part of the claimed design.  
 FIG. 9 is another view of the same section view as shown in FIG. 7. In this view the tunnel shaped display is displaying content comprising an animated or moving image. The displayed content, shown in dashed lines, is for illustrative purposes and forms no part of the claimed design; and,  
 FIG. 10 is a perspective view of a second embodiment of our tunnel shaped display. The outline of a person standing in the interior of the tunnel shaped display, shown in dashed lines, is for illustrative purposes and forms no part of the claimed design.  
 The claimed tunnel shaped display has a curved viewing plane visible on the interior of a tunnel like shape large enough for a person to walk through and view.  
 The back elevation view is a mirror image of the front elevation view of FIG. 2.  
 The broken away symbols indicate that any portion beyond what is shown forms no part of the claim.  
 Any broken lines and any dashed lines of FIG. 1 through FIG. 10 not previously described are for illustrative purposes only and form no part of the claimed design.

**1 Claim, 9 Drawing Sheets**



(56)

References Cited

U.S. PATENT DOCUMENTS

4,334,372 A *	6/1982	Colmar	.....	G09F 3/20 40/5	D673,203 S *	12/2012	Jacques	.....	D16/200
4,354,737 A *	10/1982	Dotsko	.....	G03B 21/56 359/443	D702,683 S	4/2014	Yeung		
4,500,163 A *	2/1985	Burns	.....	G02B 5/32 359/15	D714,270 S *	9/2014	Lee	.....	D14/248
4,512,107 A *	4/1985	Jones	.....	B24B 35/00 451/160	D714,271 S *	9/2014	Lee	.....	D14/248
5,611,174 A *	3/1997	Hayashi	.....	E04H 3/22 353/94	8,859,304 B2	10/2014	Momma et al.		
D389,194 S *	1/1998	Rinicella	.....	D20/10	8,896,202 B2 *	11/2014	Oh	.....	H01L 51/5237 313/511
6,626,561 B2 *	9/2003	Carter	.....	F26B 3/28 250/455.11	D721,930 S *	2/2015	Dohy	.....	D7/708
6,631,016 B1 *	10/2003	Klug	.....	G03H 1/26 359/22	D724,580 S	3/2015	Yamazaki et al.		
6,865,023 B2 *	3/2005	Shafer	.....	G09F 19/18 353/122	8,970,455 B2	3/2015	Thorson et al.		
6,906,860 B2 *	6/2005	Starkweather	.....	G03B 21/62 348/389.1	8,979,294 B2	3/2015	An et al.		
7,583,437 B2 *	9/2009	Lipton	.....	G03B 21/56 359/451	D726,140 S *	4/2015	Park	.....	D14/138 R
D610,581 S	2/2010	Prokop			D736,751 S *	8/2015	Lee	.....	D14/248
D618,682 S	6/2010	Haase et al.			D736,752 S *	8/2015	Lee	.....	D14/248
7,766,483 B2 *	8/2010	Balu	.....	G03B 21/10 348/121	9,113,553 B2	8/2015	An et al.		
7,905,790 B2	3/2011	Schnuckle			9,116,567 B2 *	8/2015	Alberth, Jr.	.....	G06F 1/1694
D650,777 S *	12/2011	Suzuki	.....	D14/306	9,117,384 B2	8/2015	Phillips et al.		
					2006/0273304 A1 *	12/2006	Cok	.....	H01L 51/0096 257/40
					2007/0097014 A1 *	5/2007	Solomon	.....	G06F 1/1616 345/1.1
					2010/0073593 A1 *	3/2010	Sasaki	.....	B29D 11/00 349/58
					2010/0128112 A1 *	5/2010	Marti	.....	G06F 3/011 348/51
					2012/0235894 A1 *	9/2012	Phillips	.....	G09G 3/36 345/156
					2013/0321740 A1 *	12/2013	An	.....	H05K 5/0217 349/58

\* cited by examiner

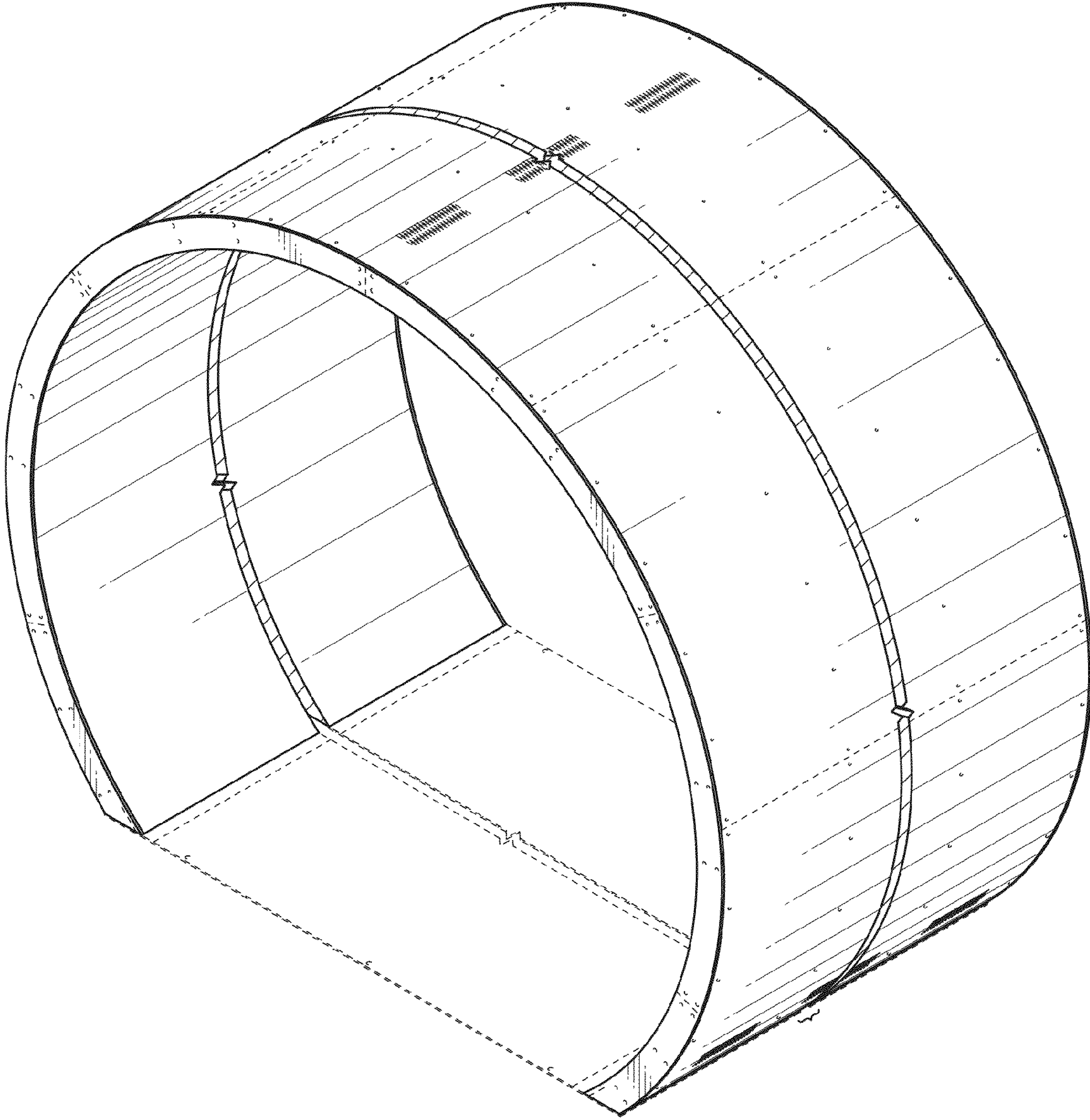


FIG. 1



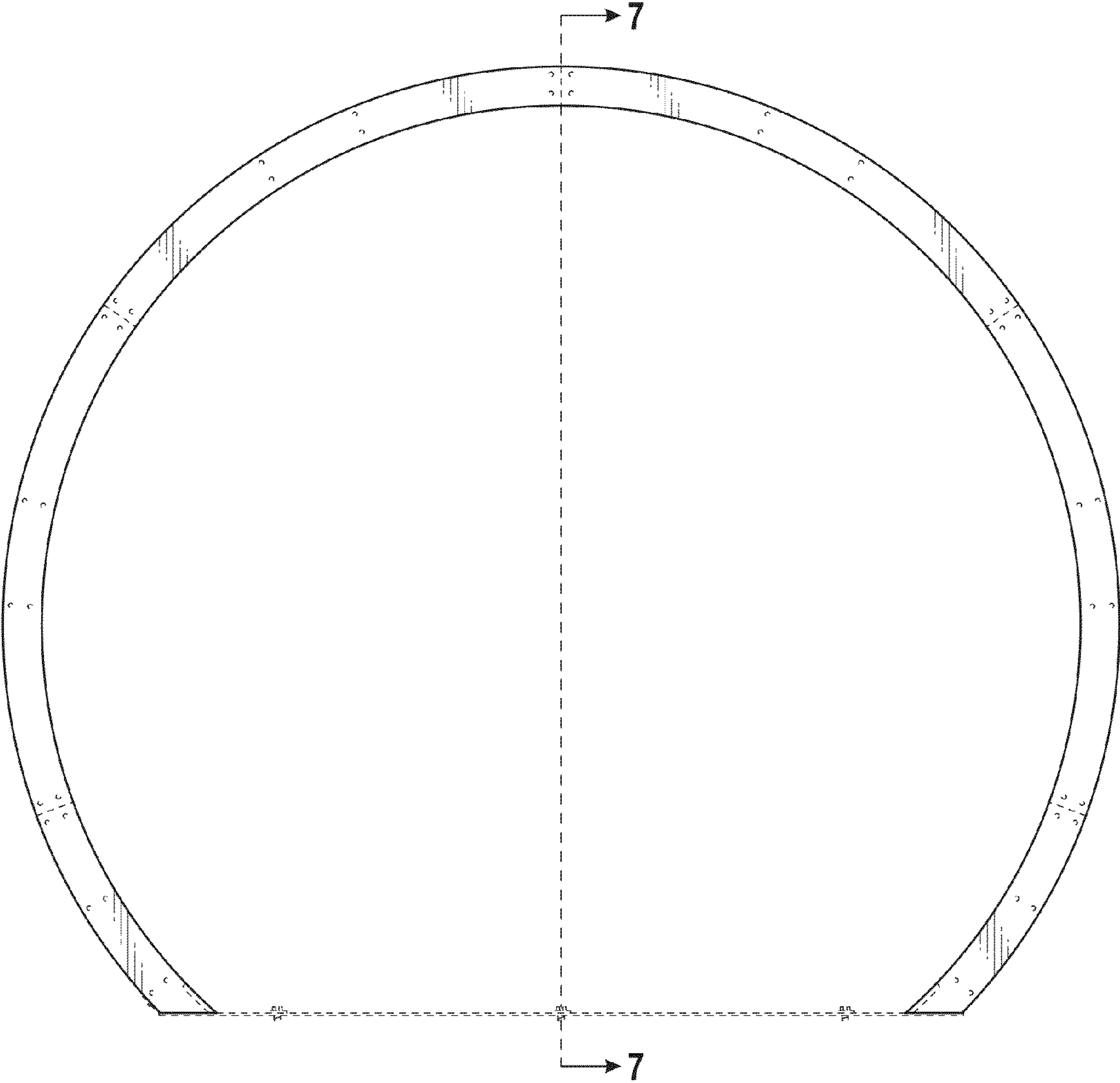


FIG. 2

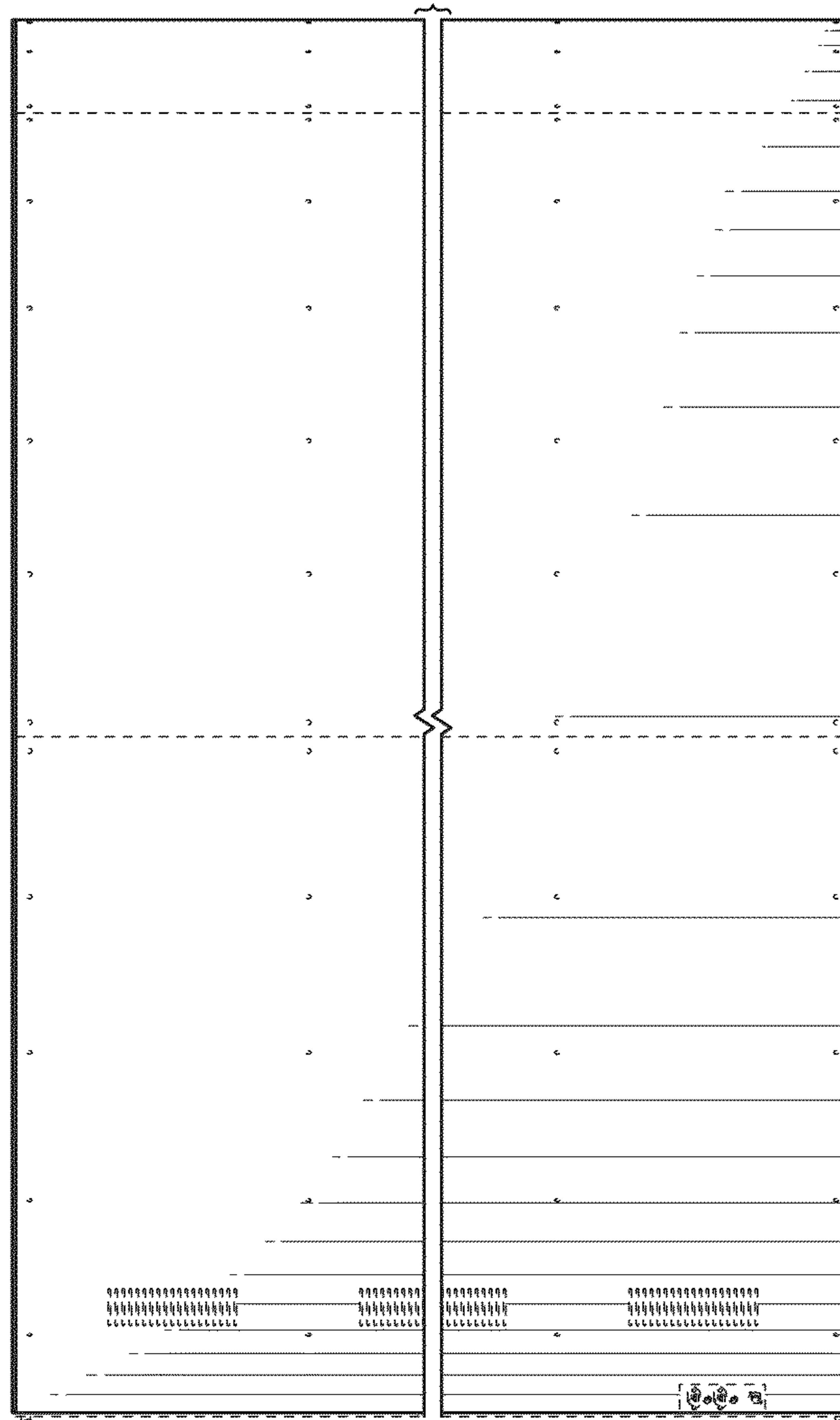


FIG. 3

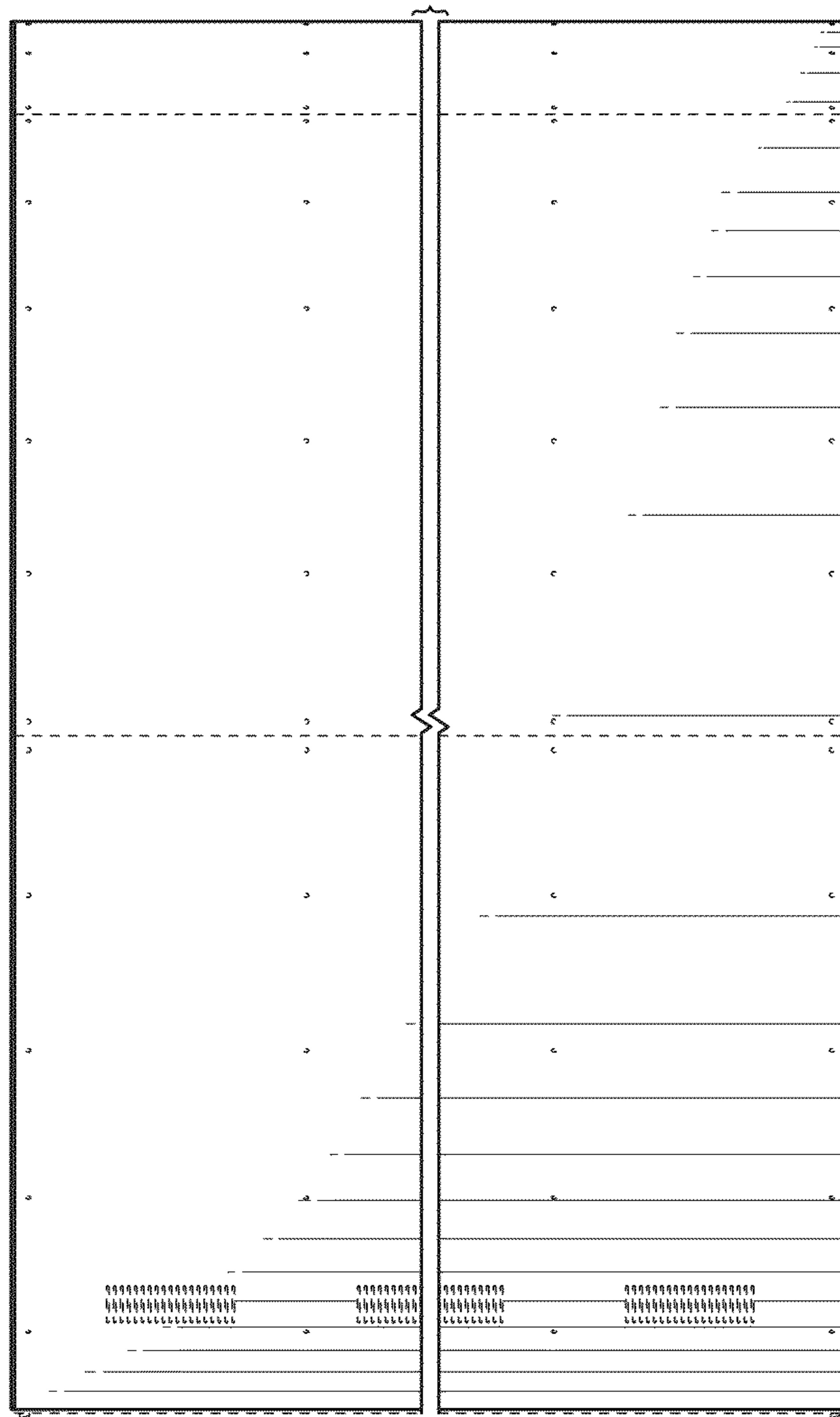


FIG. 4

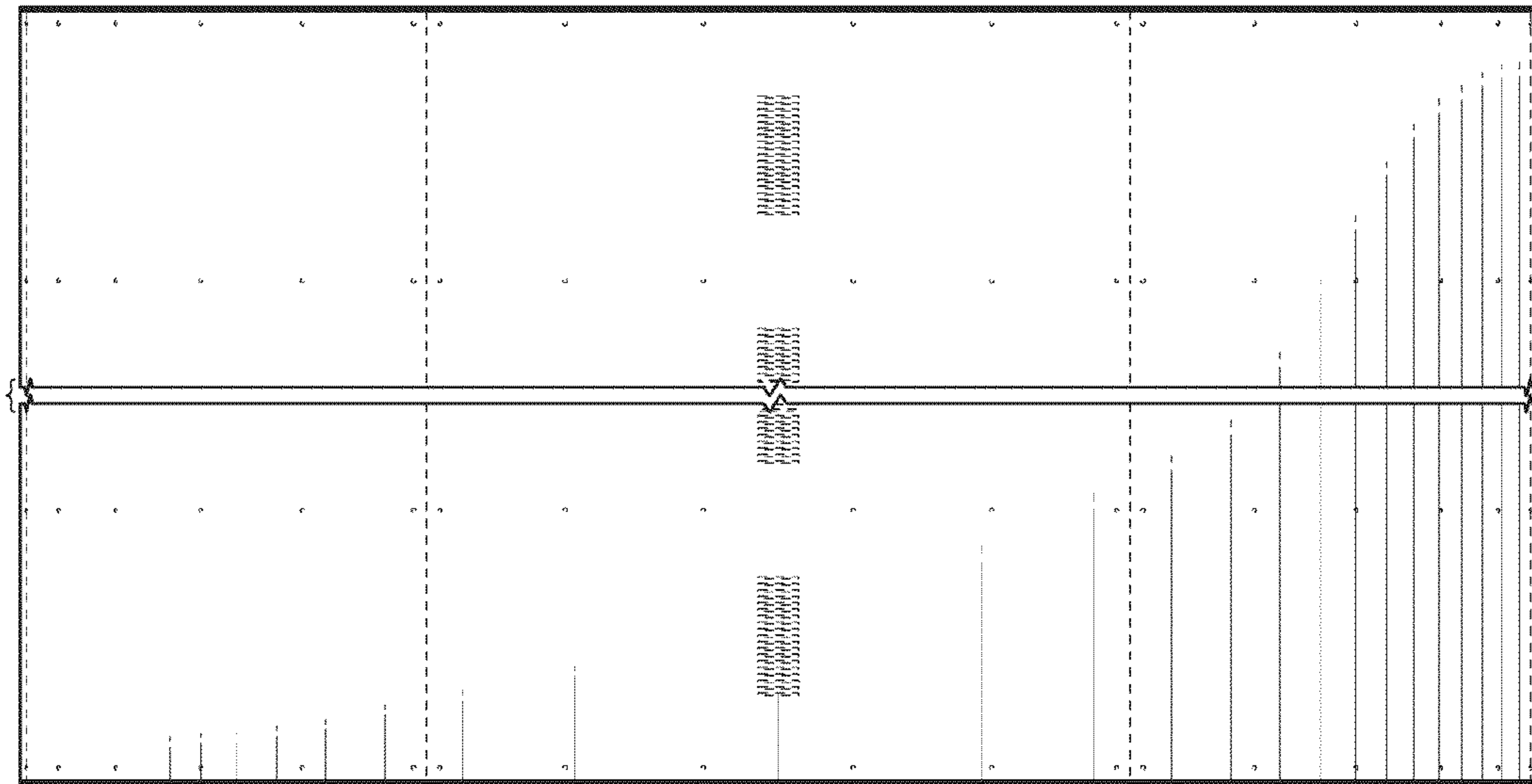


FIG. 5

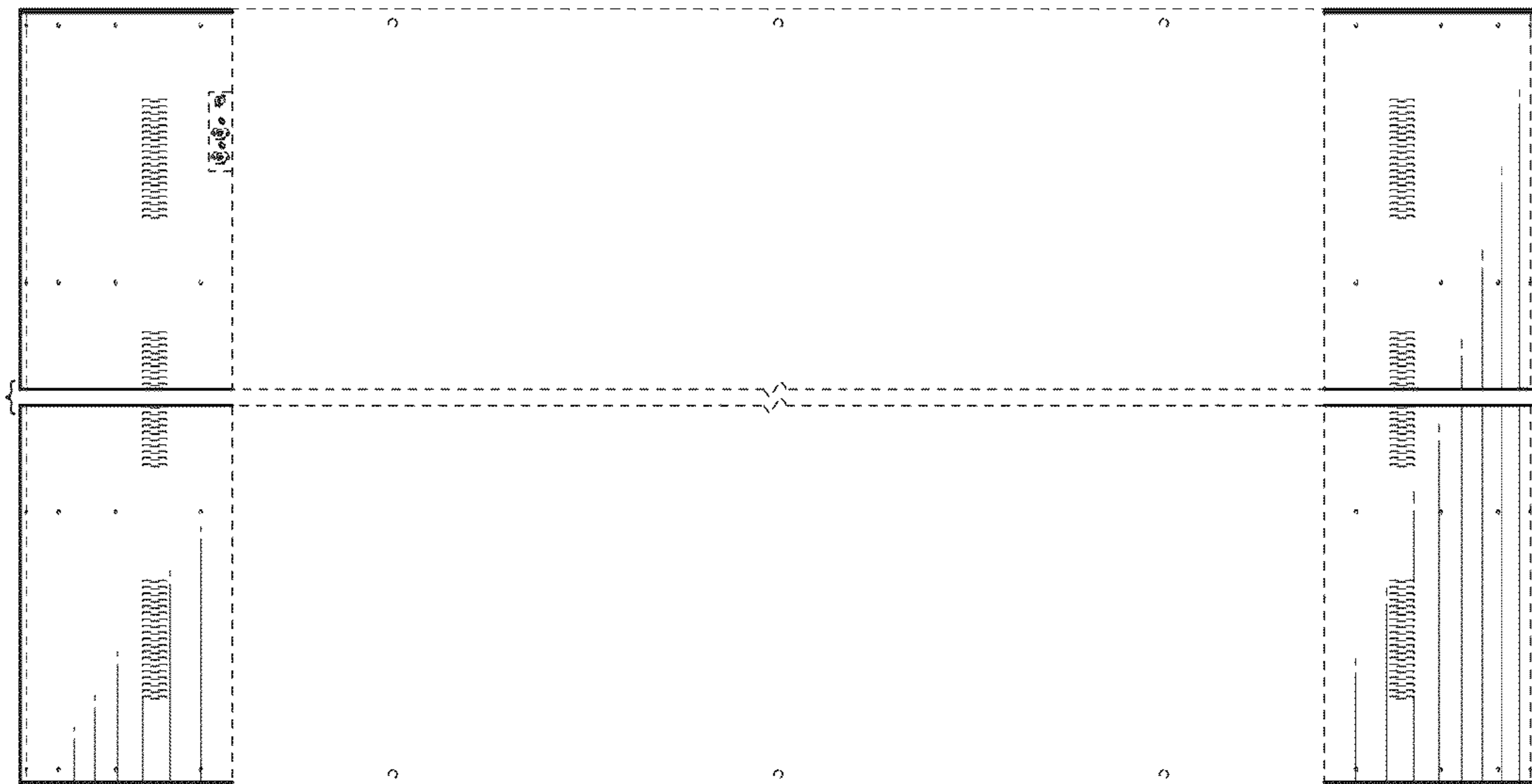


FIG. 6

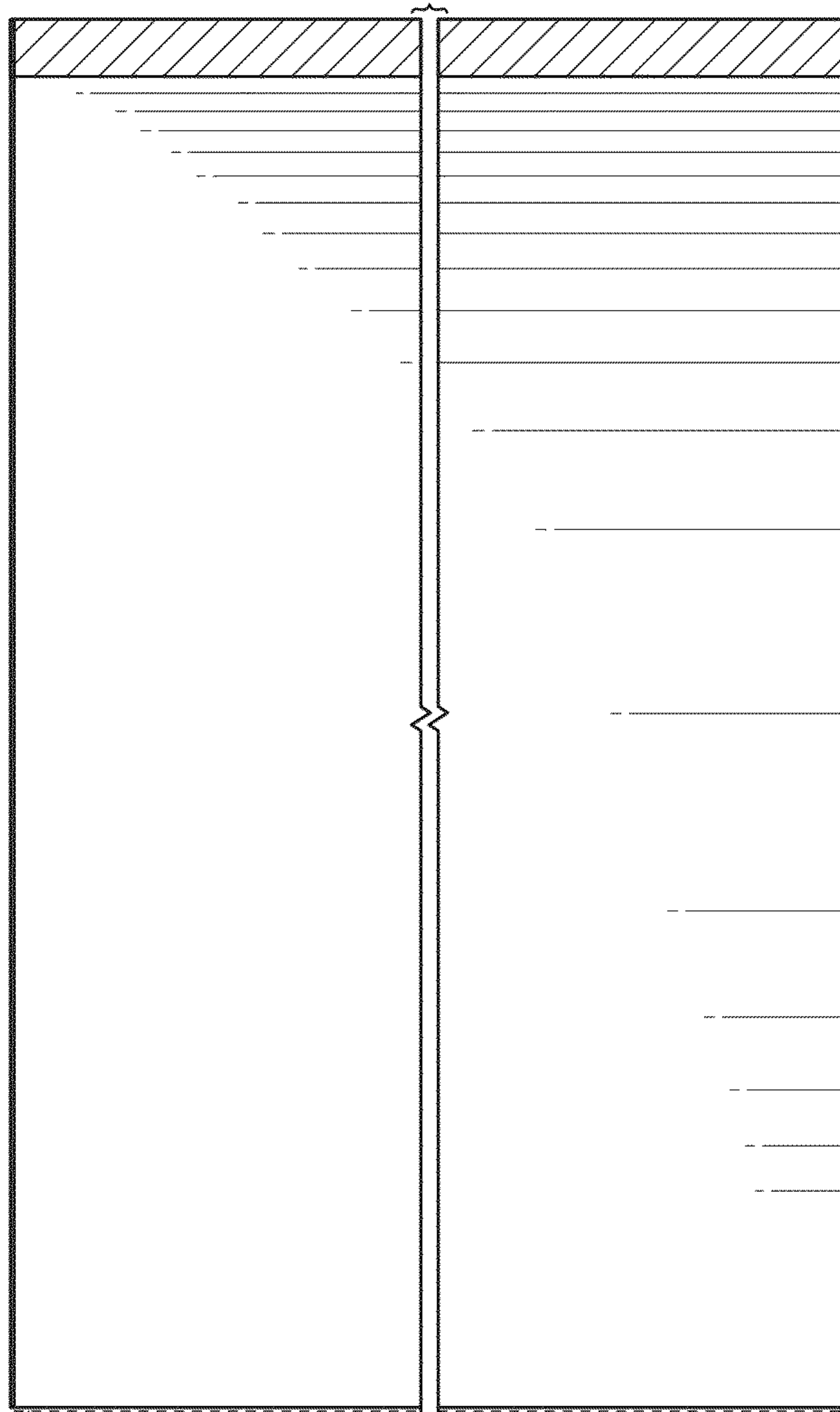


FIG. 7





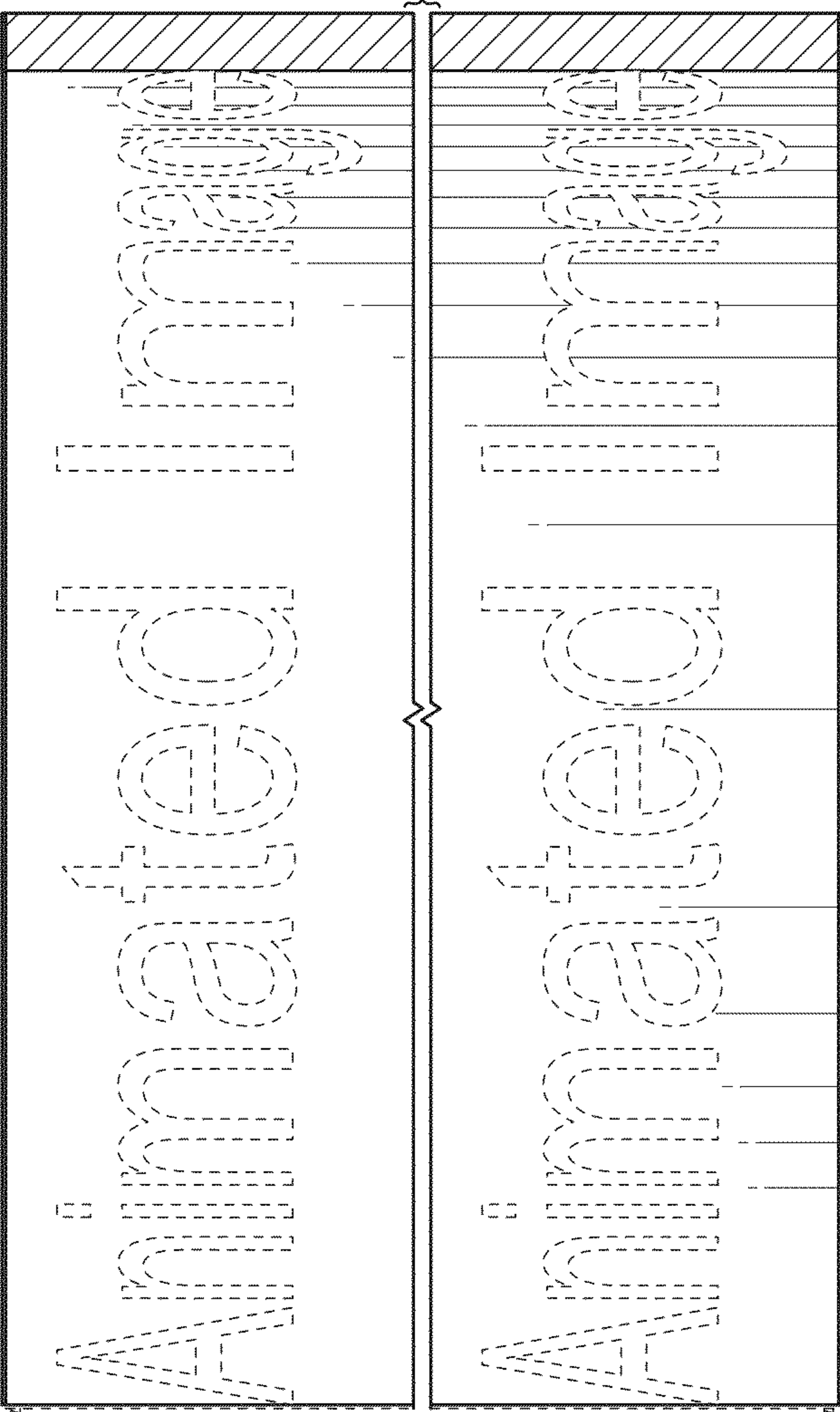


FIG. 9

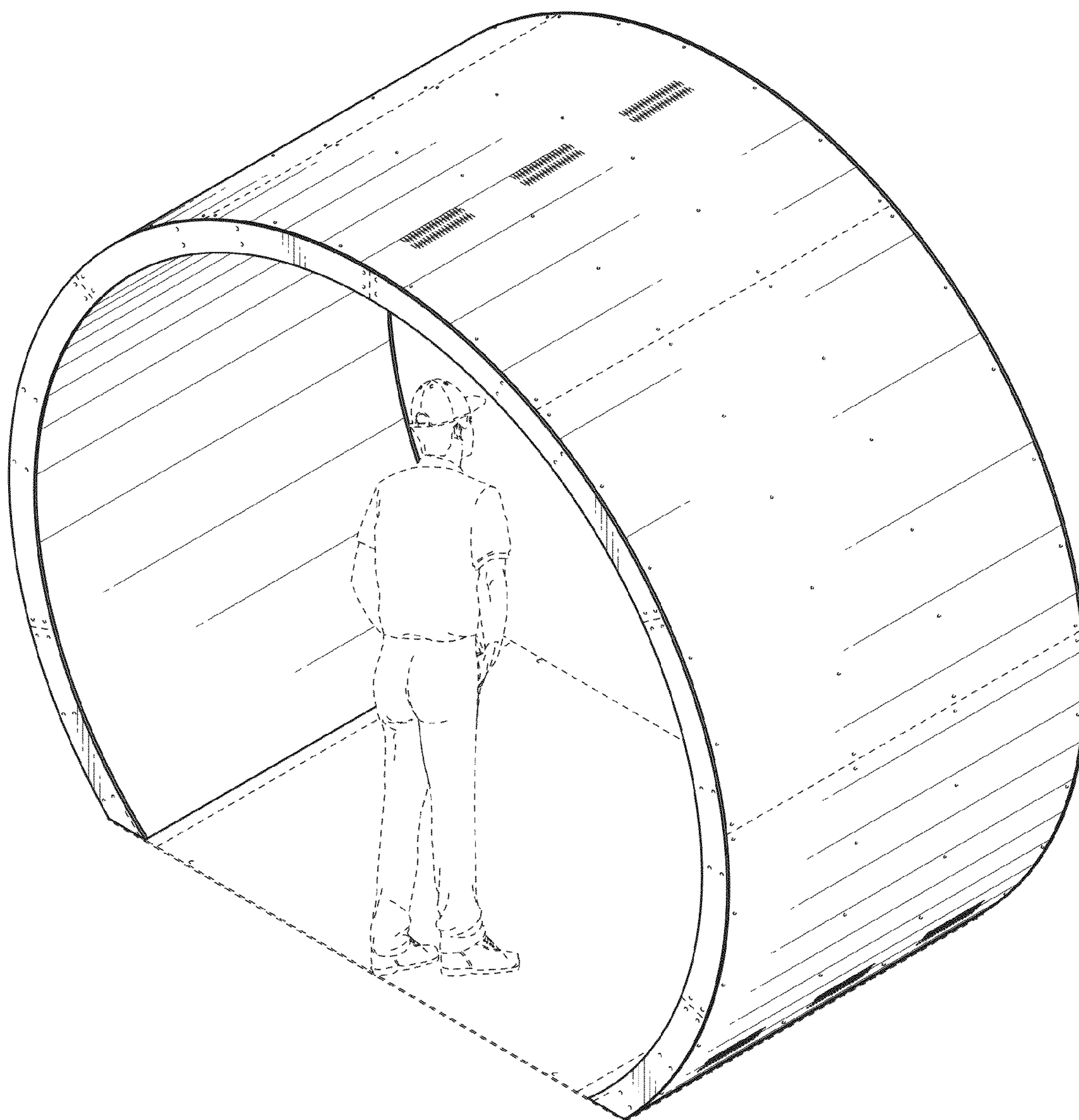


FIG. 10