



US00D744578S

(12) **United States Design Patent**
Zhan

(10) **Patent No.:** **US D744,578 S**
(45) **Date of Patent:** **** Dec. 1, 2015**

(54) **CAMERA MONITOR**

(71) Applicant: **FUZHOU F&V PHOTOGRAPHIC EQUIPMENT CO., LTD.**, Fuzhou (CN)

(72) Inventor: **Xiao-Ming Zhan**, Fuzhou (CN)

(73) Assignee: **FUZHOU F&V PHOTOGRAPHIC EQUIPMENT CO., LTD.**, Fuzhou, Fujian (CN)

(**) Term: **14 Years**

(21) Appl. No.: **29/507,713**

(22) Filed: **Oct. 30, 2014**

(51) **LOC (10) Cl.** **16-05**

(52) **U.S. Cl.**
USPC **D16/237**

(58) **Field of Classification Search**
USPC D16/200, 202–206, 208, 210, 218, 219,
D16/237, 242; D14/125–129, 449–450;
348/61, 63, 341, 373–376; 358/906;
396/427, 529–532, 535, 539–541
CPC G03B 15/03; G03B 17/02; G03B 17/04;
G03B 17/56; G03B 19/04; H04N 5/2251;
H04N 5/2252; H04N 5/2253; H04N 5/2254;
H04N 2101/00

See application file for complete search history.

(56) **References Cited**

U.S. PATENT DOCUMENTS

D368,105 S * 3/1996 Takahashi D16/202
D422,579 S * 4/2000 McBride D14/449

D426,248 S * 6/2000 Sumita D16/202
D433,693 S * 11/2000 Kobayashi D16/202
D469,792 S * 2/2003 Kawashima D16/134
7,083,291 B1 * 8/2006 Yong H04N 5/2251
348/834
D643,452 S * 8/2011 Alm D16/200
8,023,033 B2 * 9/2011 Kirihara G03B 13/02
348/333.01
D657,409 S * 4/2012 Miyashita D16/203
D672,382 S * 12/2012 Zeinoun D16/203
D674,832 S * 1/2013 Zhang D16/202
D697,961 S * 1/2014 Tanifuji D16/202
D713,439 S * 9/2014 Zhang D16/208

* cited by examiner

Primary Examiner — Adir Aronovich
Assistant Examiner — Ramzi Almatrahi

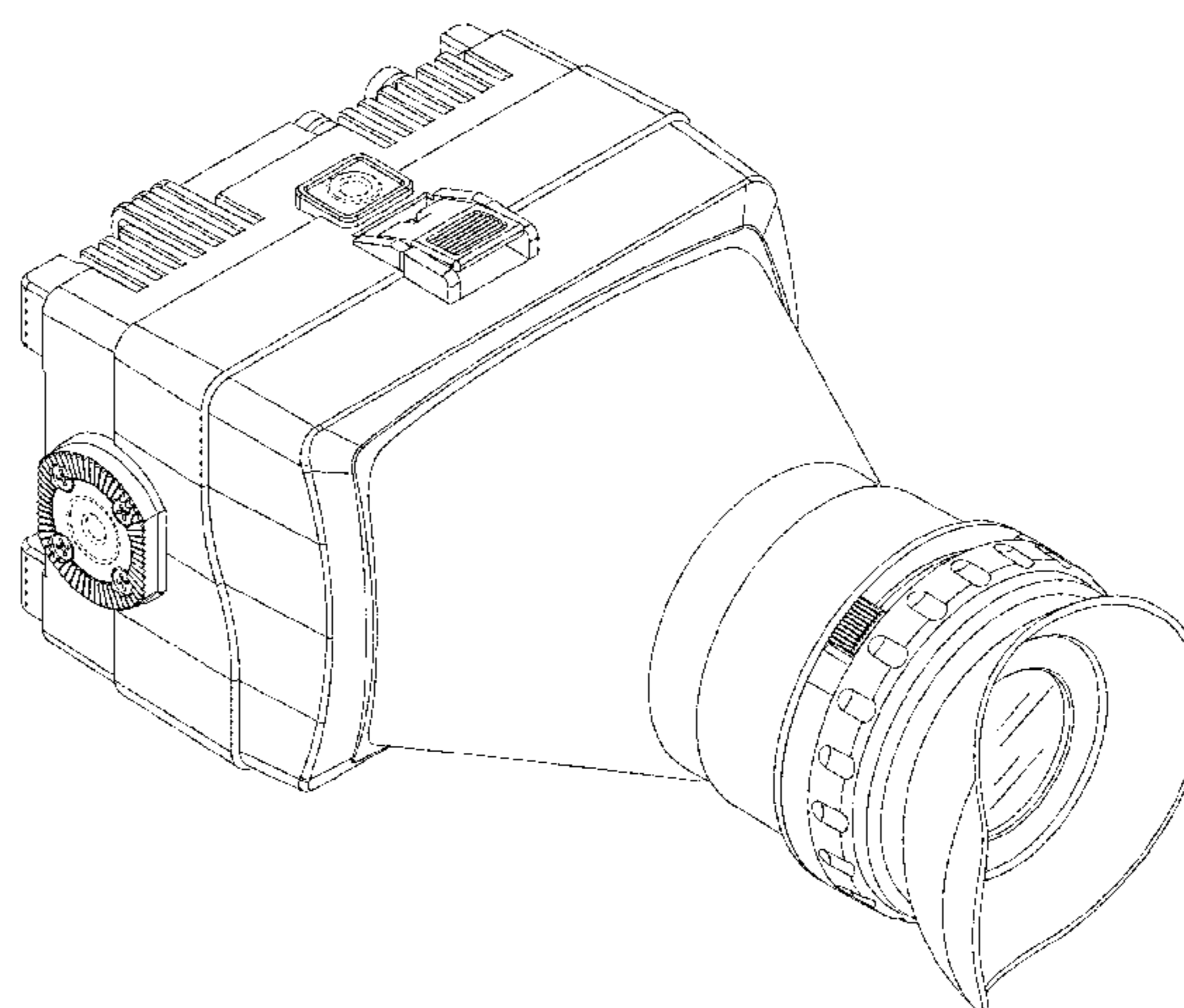
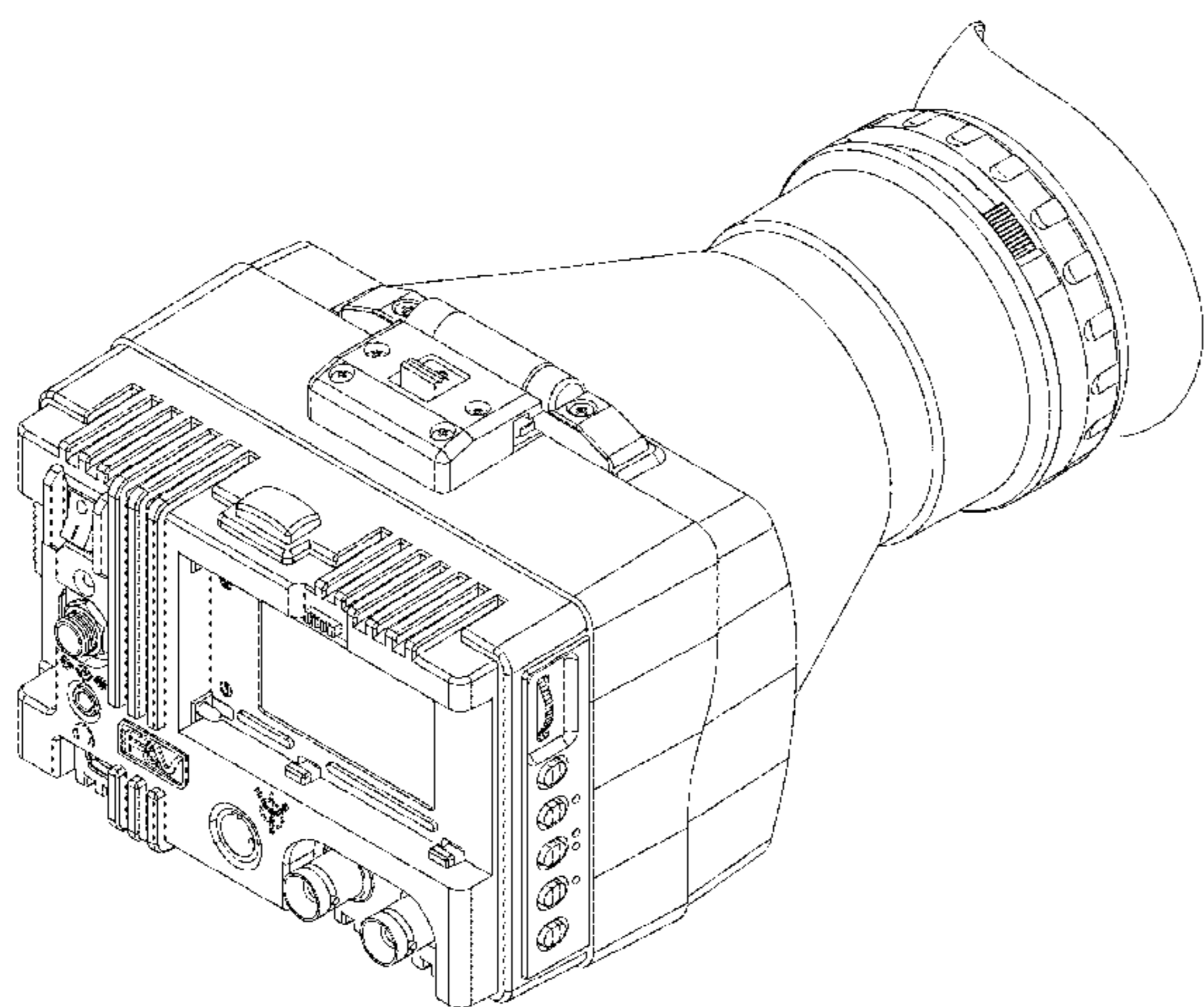
(57) **CLAIM**

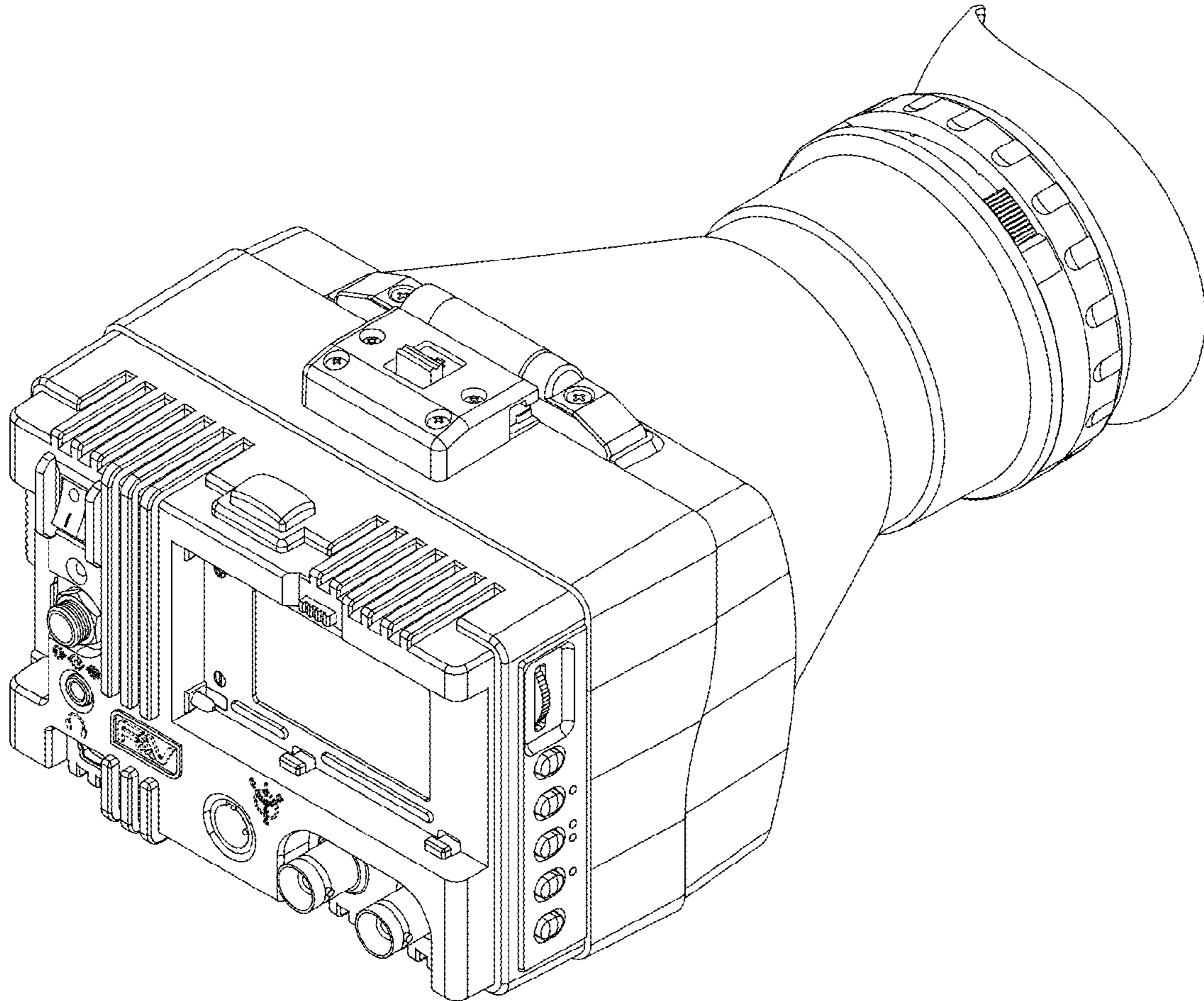
The ornamental design for a camera monitor, as shown and described.

DESCRIPTION

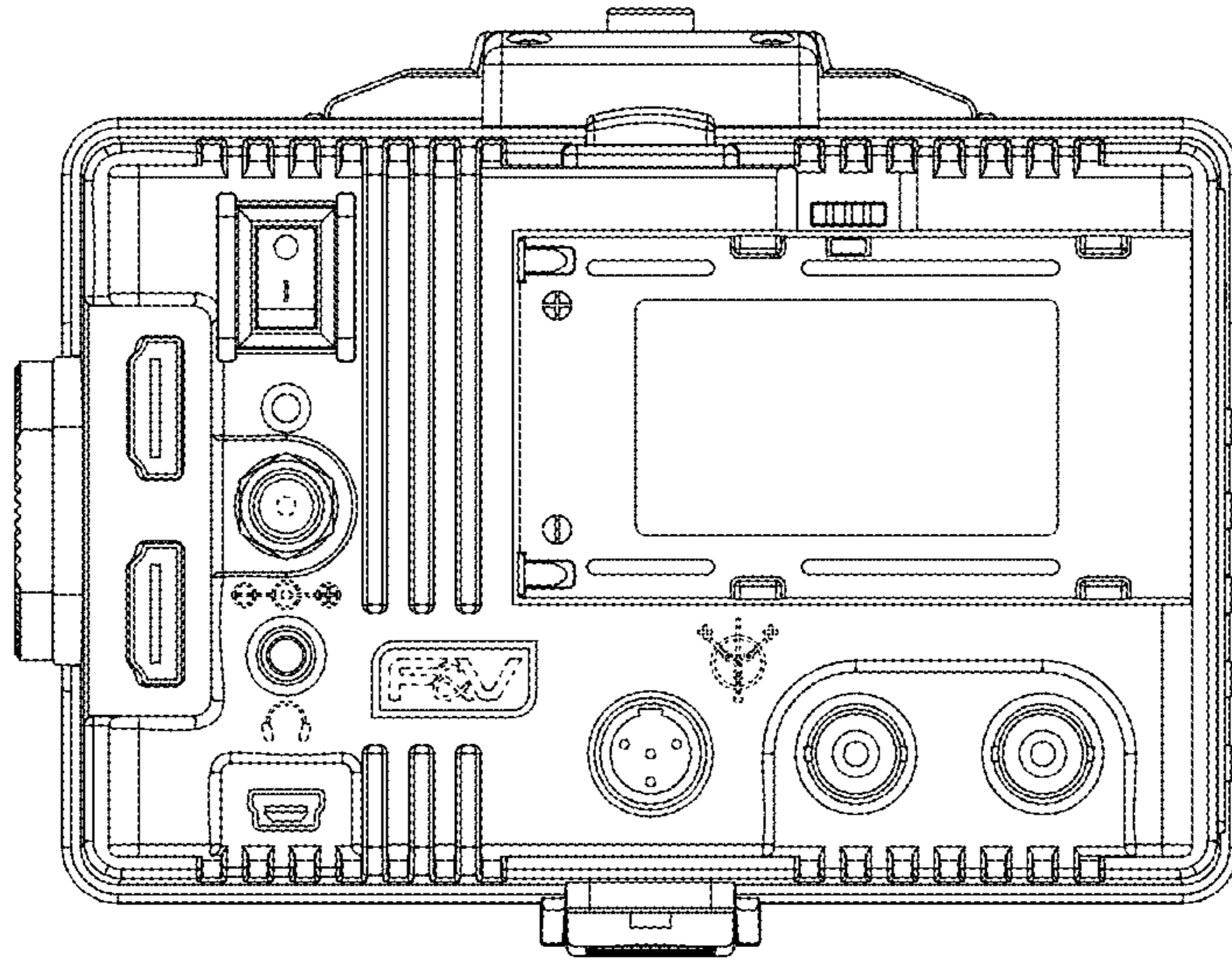
FIG. 1 is a top, front and right side perspective of a camera monitor showing my new design;
FIG. 2 is a front elevation view thereof;
FIG. 3 is a rear elevation view thereof;
FIG. 4 is a left side elevation view thereof;
FIG. 5 is a right side elevation view thereof;
FIG. 6 is a top plan view thereof;
FIG. 7 is a bottom plan view thereof; and,
FIG. 8 is a bottom, rear and left side perspective view thereof.
The broken lines depict portions of a camera monitor in which the design is embodied and form no part of the claimed design.

1 Claim, 8 Drawing Sheets

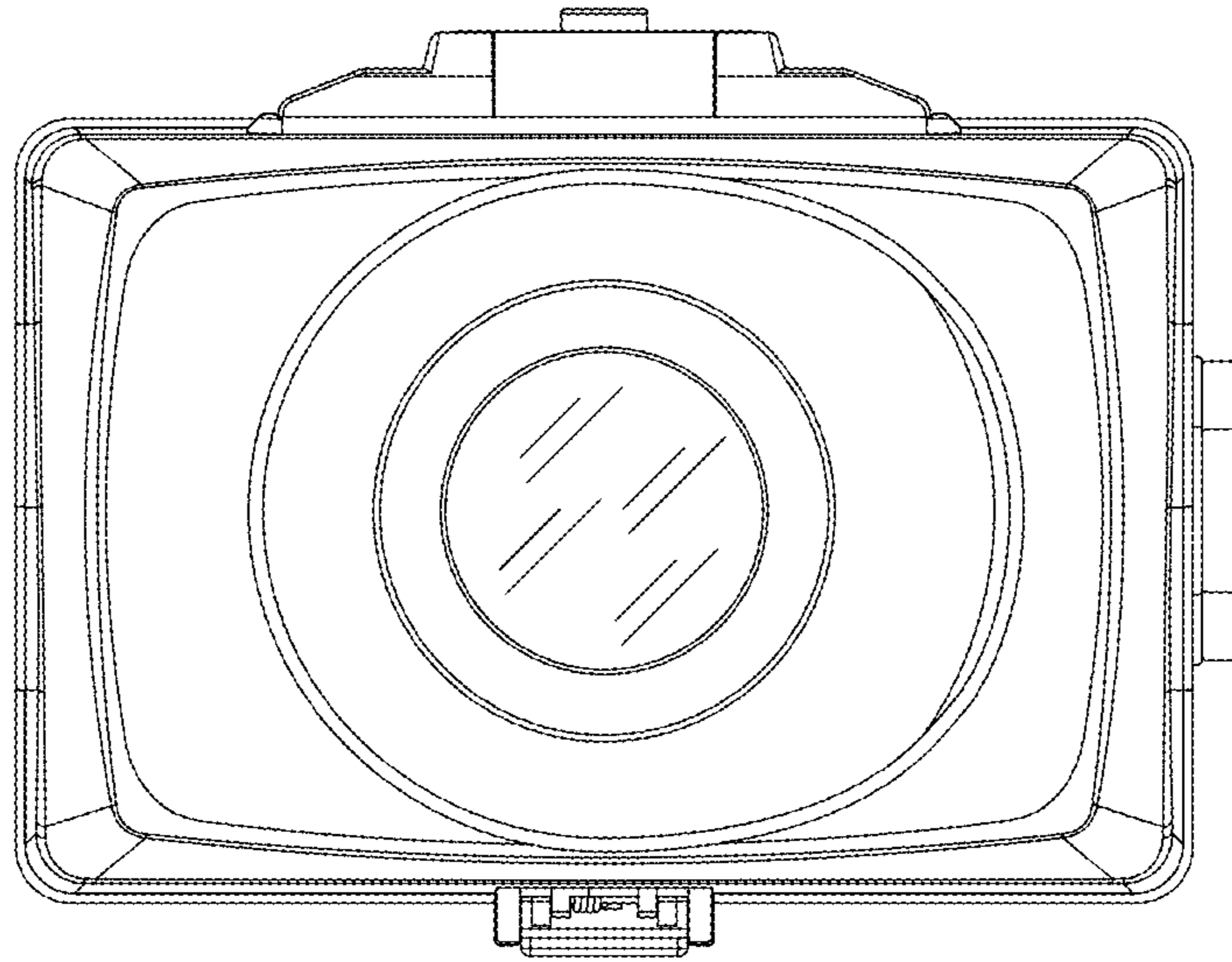




F I G. 1



F I G. 2



F I G. 3

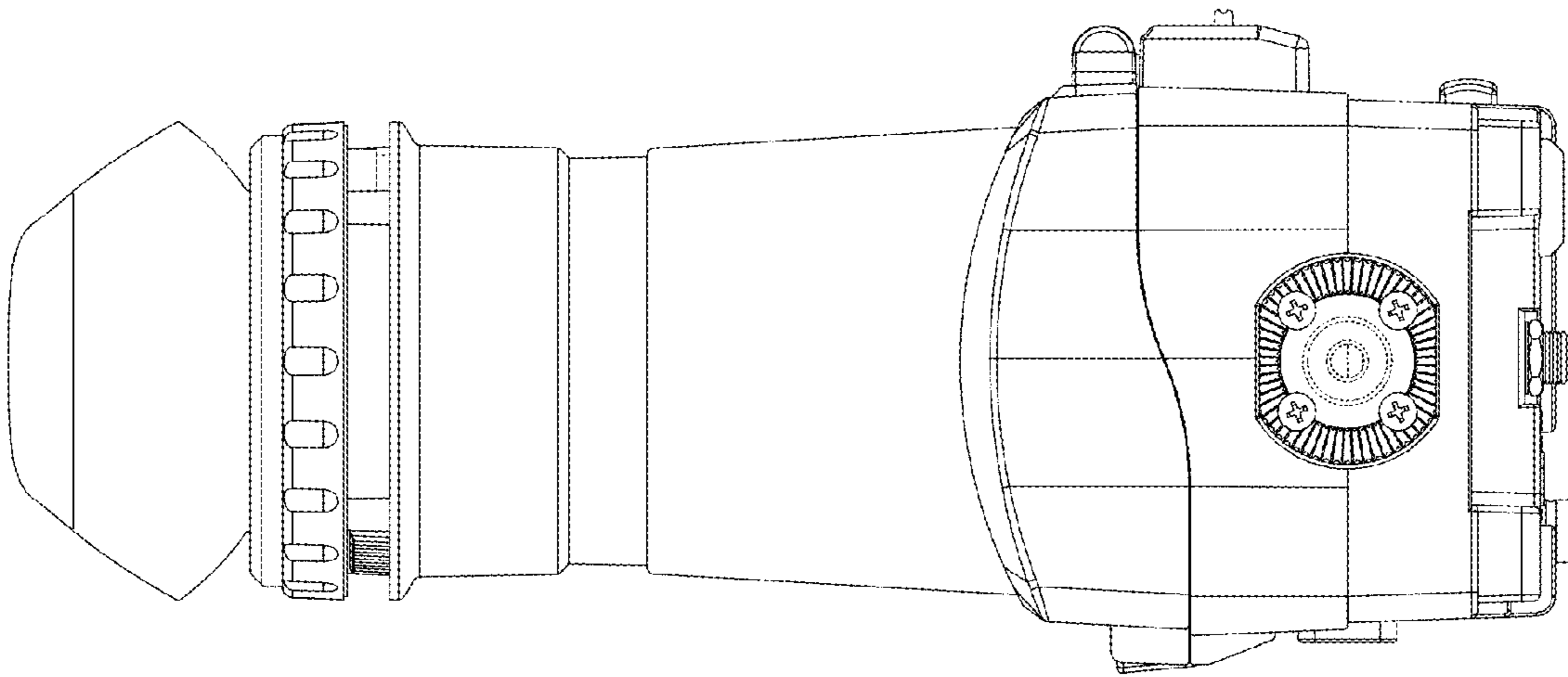
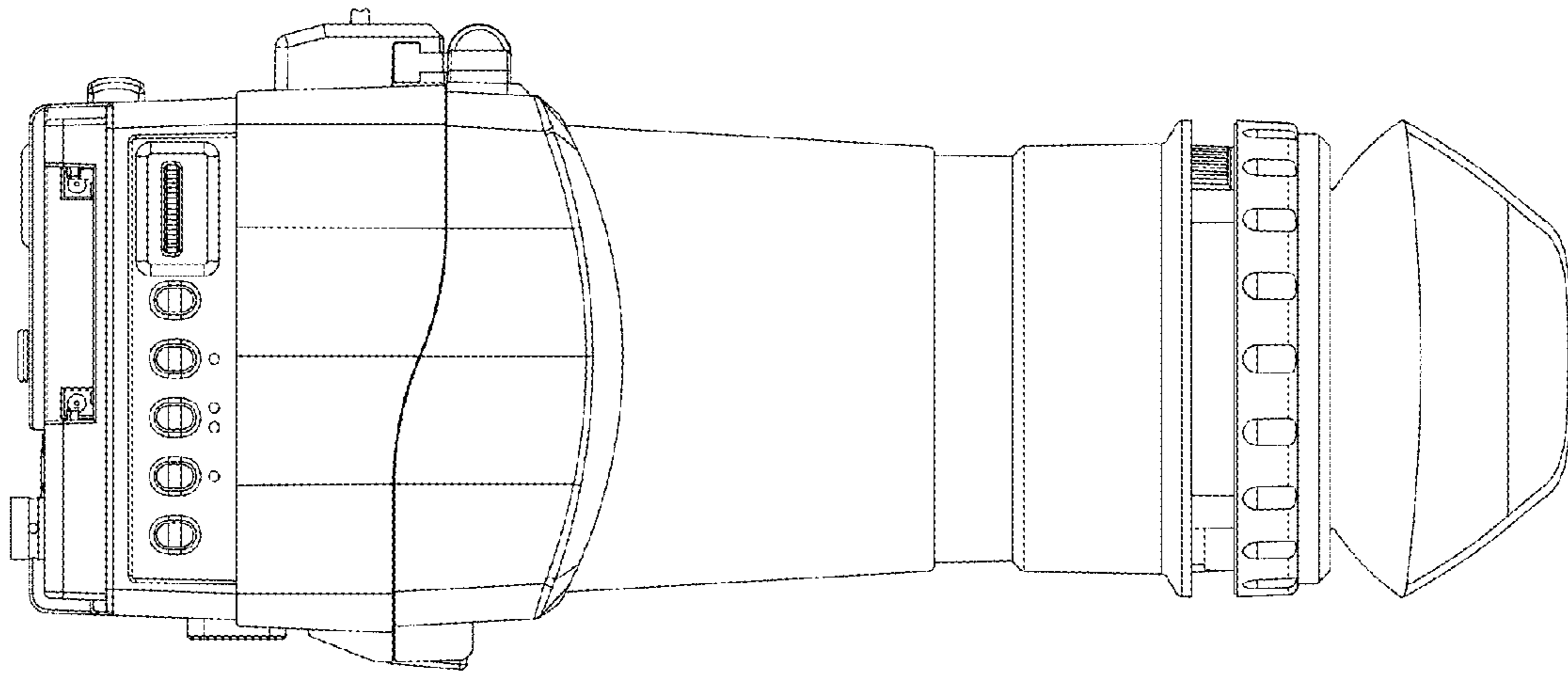
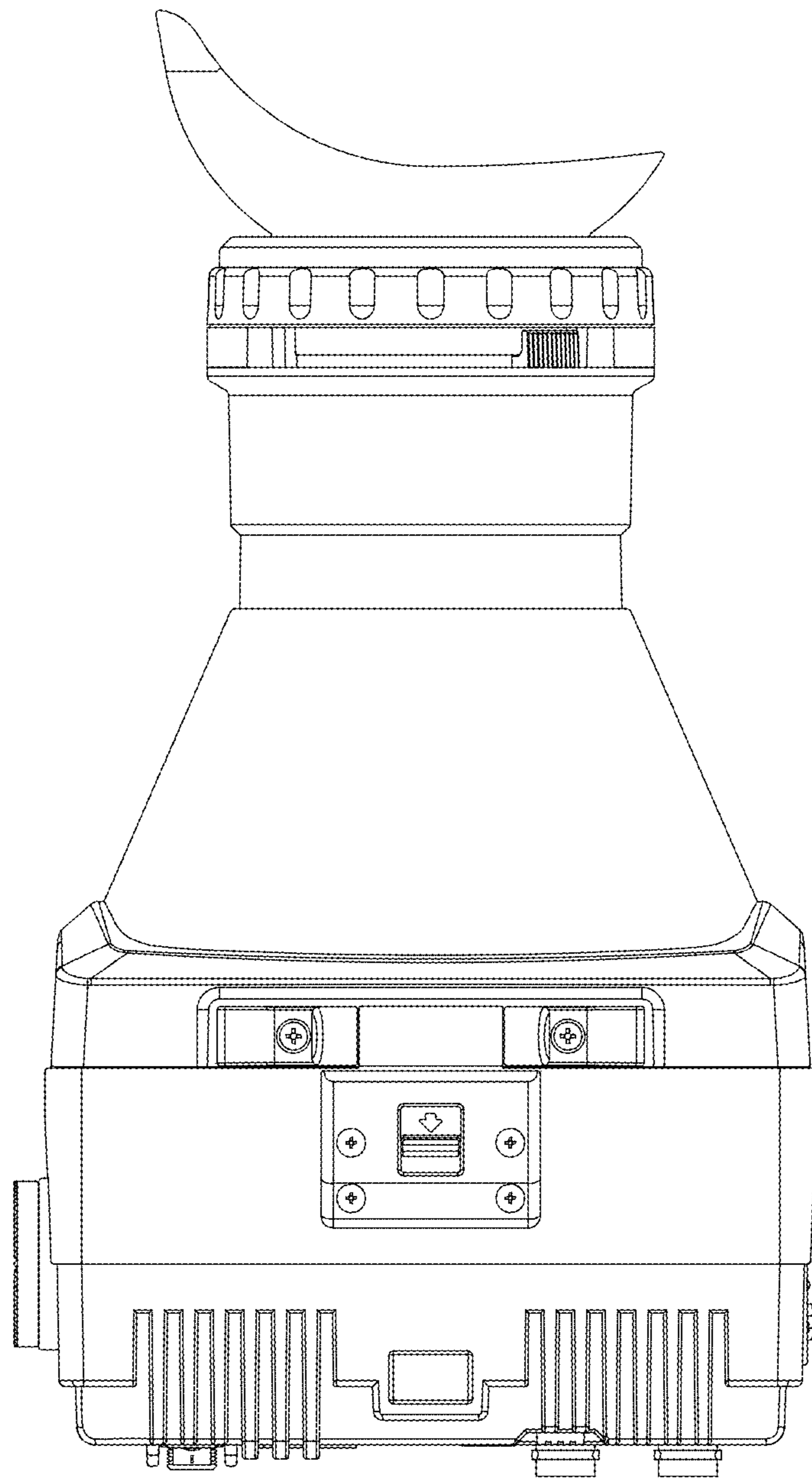


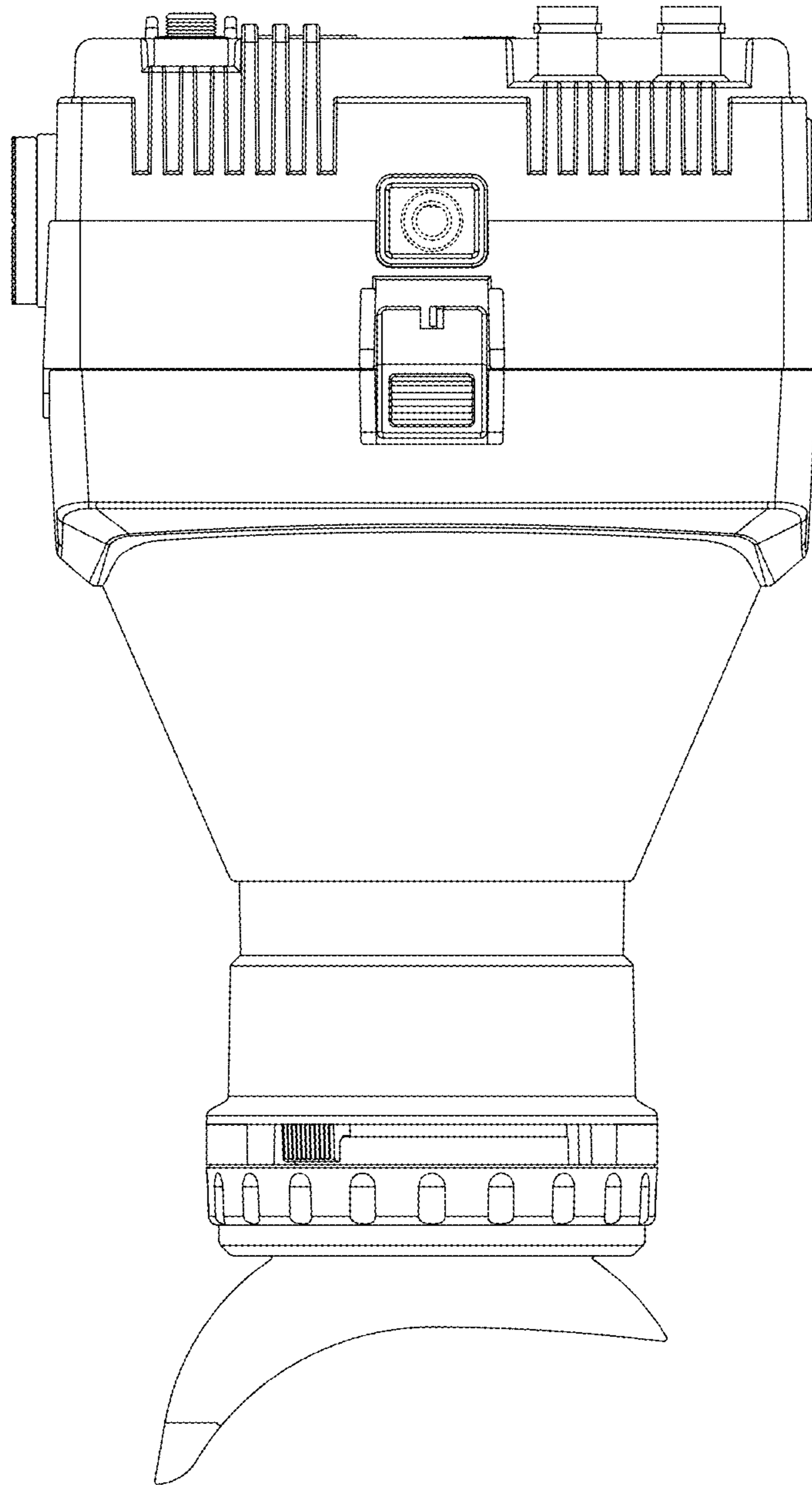
FIG. 4



F I G . 5



F I G. 6



F I G . 7

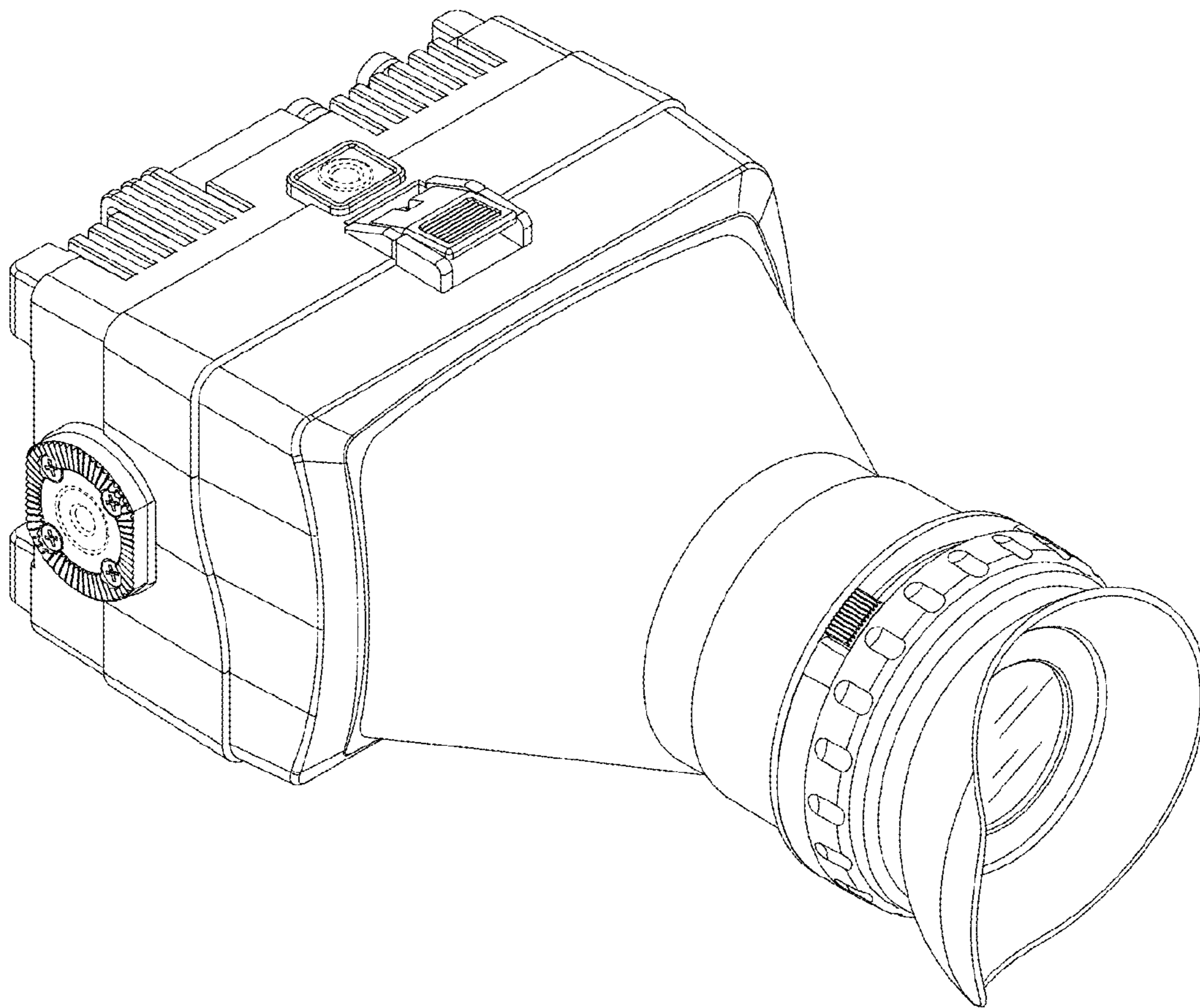


FIG. 8