



US00D744577S

(12) **United States Design Patent**
Sakamoto et al.

(10) **Patent No.:** **US D744,577 S**
(45) **Date of Patent:** **** Dec. 1, 2015**

(54) **VIDEO PROJECTOR**

(71) Applicant: **Sharp Kabushiki Kaisha**, Osaka-shi, Osaka (JP)

(72) Inventors: **Harumi Sakamoto**, Osaka (JP); **Keiichi Takao**, Osaka (JP)

(73) Assignee: **SHARP KABUSHIKI KAISHA**, Osaka-shi, Osaka (JP)

(**) Term: **14 Years**

(21) Appl. No.: **29/508,789**

(22) Filed: **Nov. 11, 2014**

(30) **Foreign Application Priority Data**

May 13, 2014 (JP) 2014-010178

(51) **LOC (10) Cl.** **16-02**

(52) **U.S. Cl.**
USPC **D16/230; D16/225**

(58) **Field of Classification Search**
USPC D16/221, 225, 230-231, 234; D21/514;
353/115, 119, 122
CPC G03B 21/14; G03B 21/145; G03B 21/00;
G03B 17/54; G03B 21/001
See application file for complete search history.

(56) **References Cited**

U.S. PATENT DOCUMENTS

D343,850 S	2/1994	Saeki et al.
D356,103 S	3/1995	Saeki et al.
D364,416 S	11/1995	Saeki et al.
D365,587 S	12/1995	Saeki et al.
D387,795 S	12/1997	Sakamoto
D388,111 S	12/1997	Iida
D391,592 S	3/1998	Sakamoto et al.
D394,264 S	5/1998	Sakamoto et al.
D398,321 S	9/1998	Iida

D398,622 S	9/1998	Saeki et al.
D412,926 S	8/1999	Saeki et al.
D419,172 S	1/2000	Saeki et al.
D428,619 S	7/2000	Saeki et al.
D434,430 S	11/2000	Saeki et al.
D441,387 S	5/2001	Saeki et al.
D449,060 S	10/2001	Saeki et al.
D454,360 S	3/2002	Shimizu et al.
D454,361 S	3/2002	Saeki et al.
D457,179 S	5/2002	Saeki et al.
D459,341 S	6/2002	Saeki et al.
D464,074 S	10/2002	Miyazaki
D473,252 S	4/2003	Shimamoto et al.
D473,253 S	4/2003	Shimamoto
D476,024 S	6/2003	Shimamoto

(Continued)

Primary Examiner — Wan Laymon

(74) *Attorney, Agent, or Firm* — Nixon & Vanderhye, P.C.

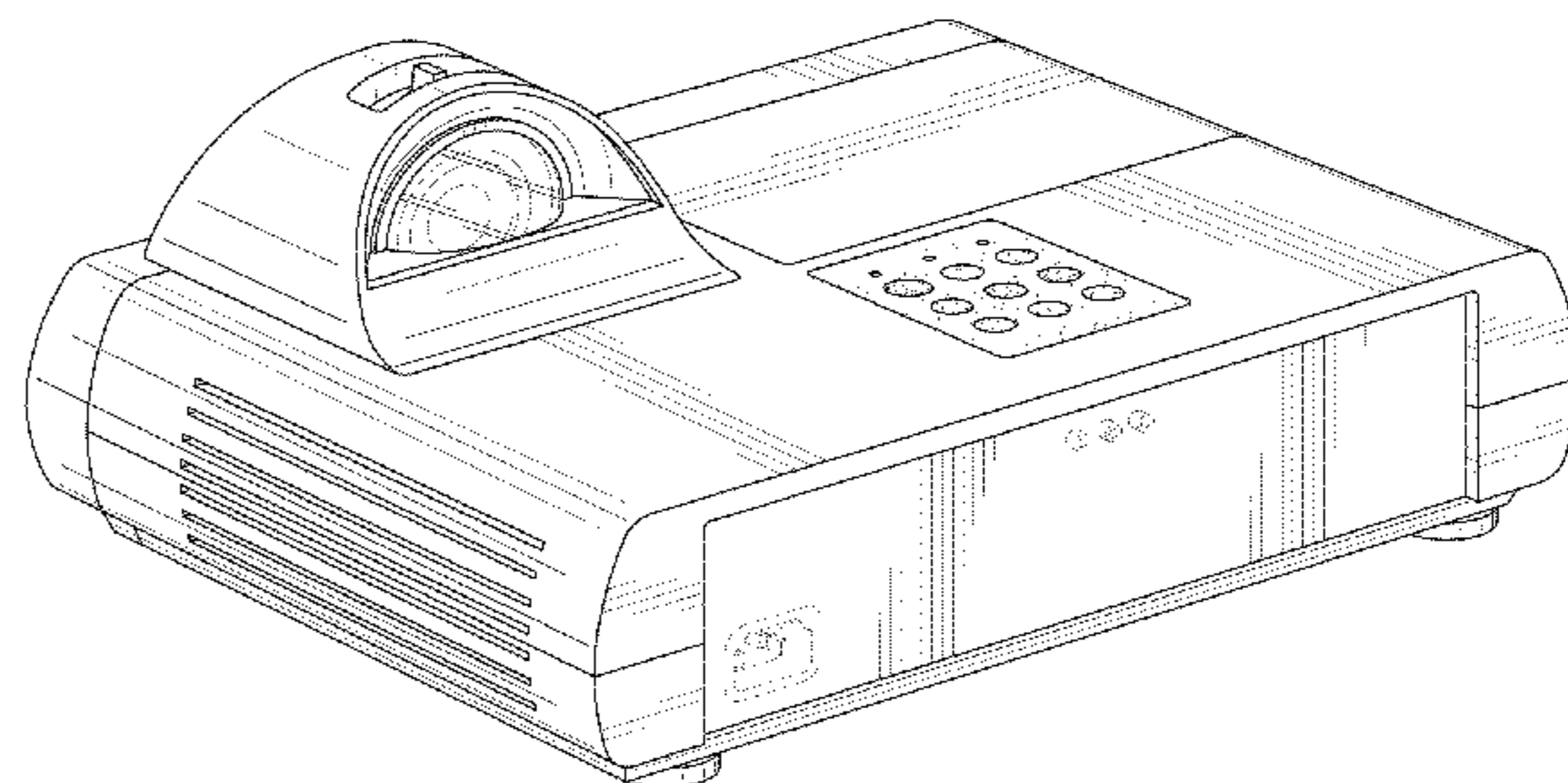
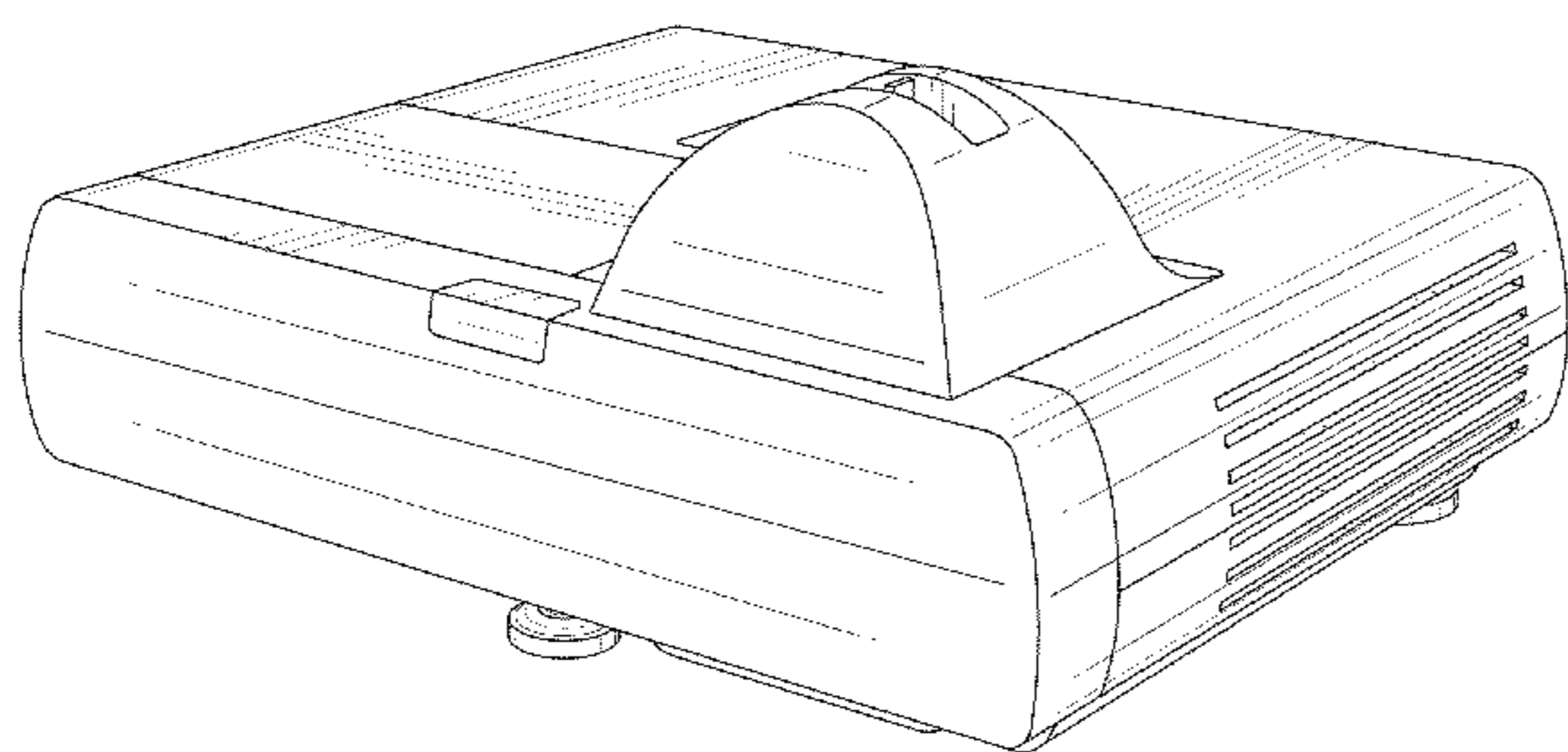
(57) **CLAIM**

The ornamental design for a “video projector,” as shown and described.

DESCRIPTION

FIG. 1 is a top, right perspective view of a video projector in accordance with our new design;
FIG. 2 is a front elevation view thereof;
FIG. 3 is a rear elevation view thereof;
FIG. 4 is top plan view thereof;
FIG. 5 is a bottom plan view thereof;
FIG. 6 is a right-side elevation view thereof;
FIG. 7 is a left-side elevation view thereof;
FIG. 8 is a top, rear perspective view thereof;
FIG. 9 is a cross section taken along the line 9-9 in FIG. 2;
FIG. 10 is a cross section taken along the line 10-10 in FIG. 2;
and,
FIG. 11 is a cross section taken along the line 11-11 in FIG. 4.
The broken line showing portions of a video projector is included for the purpose of illustrating environmental structure and forms no part of the claimed design.

1 Claim, 11 Drawing Sheets



(56)

References Cited

U.S. PATENT DOCUMENTS

D498,490 S 11/2004 Kawasaki et al.
D506,770 S 6/2005 Saeki et al.
D564,565 S 3/2008 Oota et al.
D566,160 S 4/2008 Shimamoto
D577,051 S 9/2008 Yamamizu
D578,150 S * 10/2008 Sakamaki et al. D16/230
D618,718 S 6/2010 Oota et al.
D648,768 S 11/2011 Sakamoto

8,118,437 B2 2/2012 Otsuki
D655,739 S 3/2012 Ogawa et al.
D661,721 S * 6/2012 Fujikawa et al. D16/230
D663,346 S * 7/2012 Fujikawa et al. D16/230
D686,285 S 10/2012 Sakamoo
D691,648 S * 10/2013 Kawaguchi et al. D16/230
D711,453 S 8/2014 Fujii
D711,454 S 8/2014 Fujii et al.
D718,802 S * 12/2014 Ishibashi et al. D16/230
D734,383 S * 7/2015 Matoba et al. D16/230

* cited by examiner

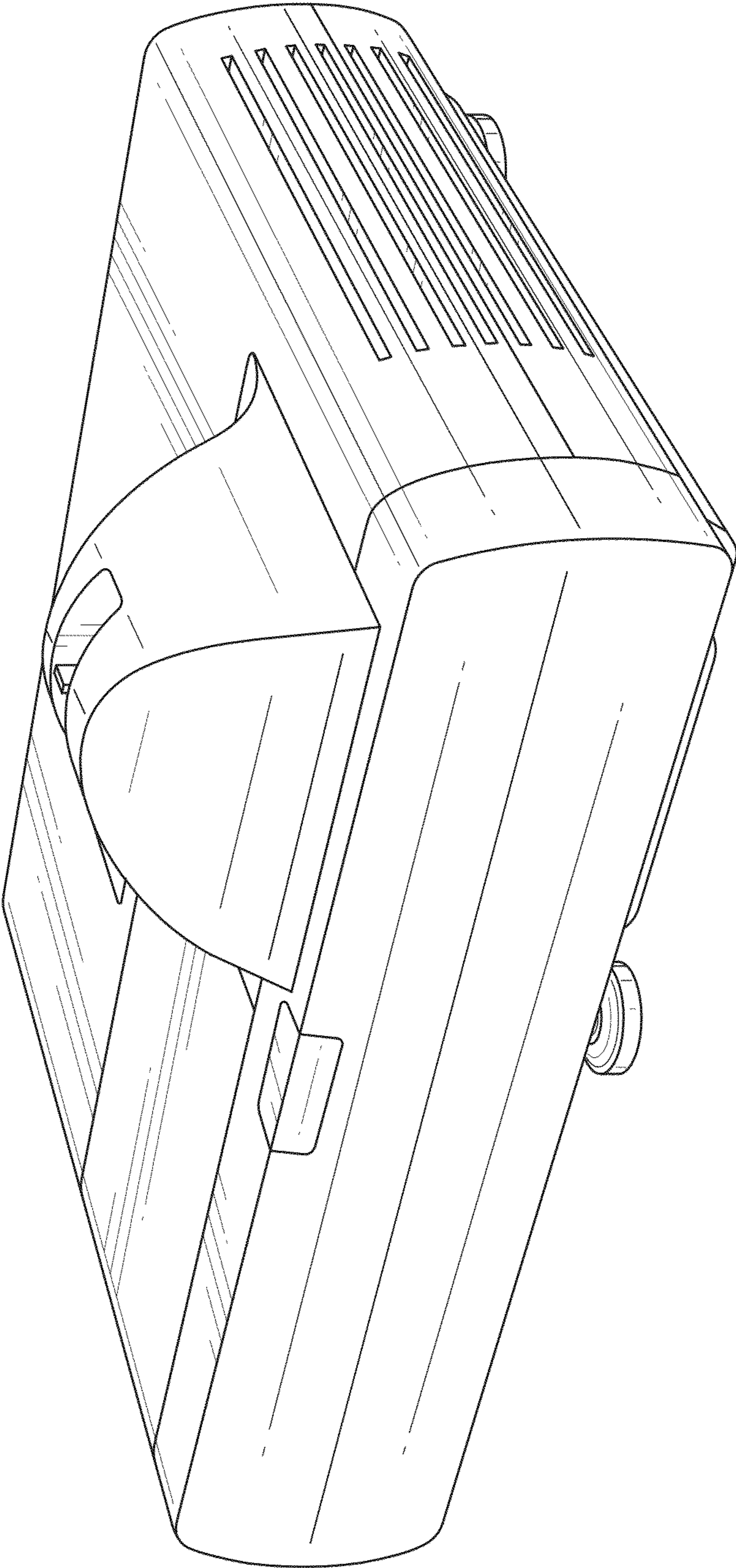


Figure 1

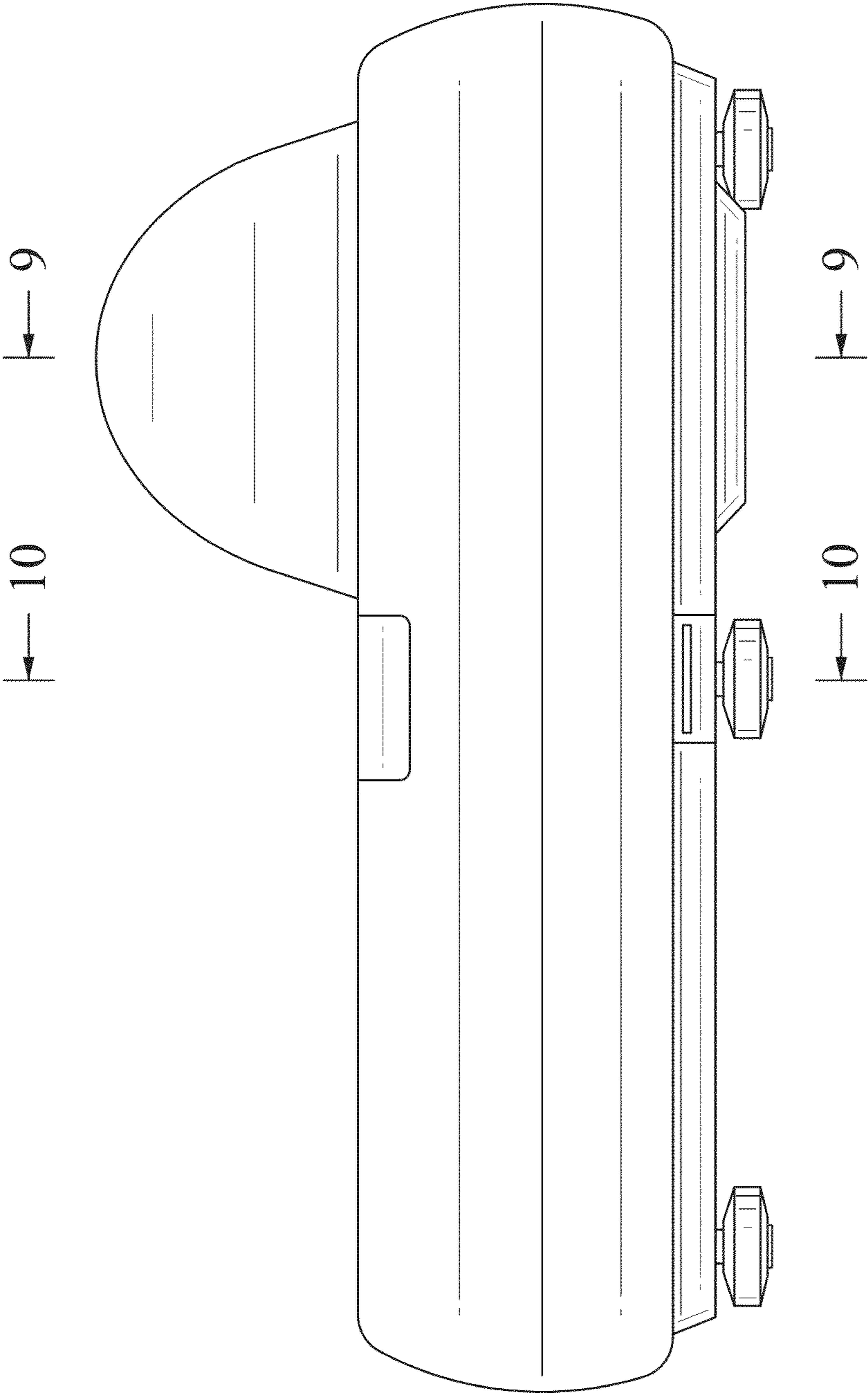


Figure 2

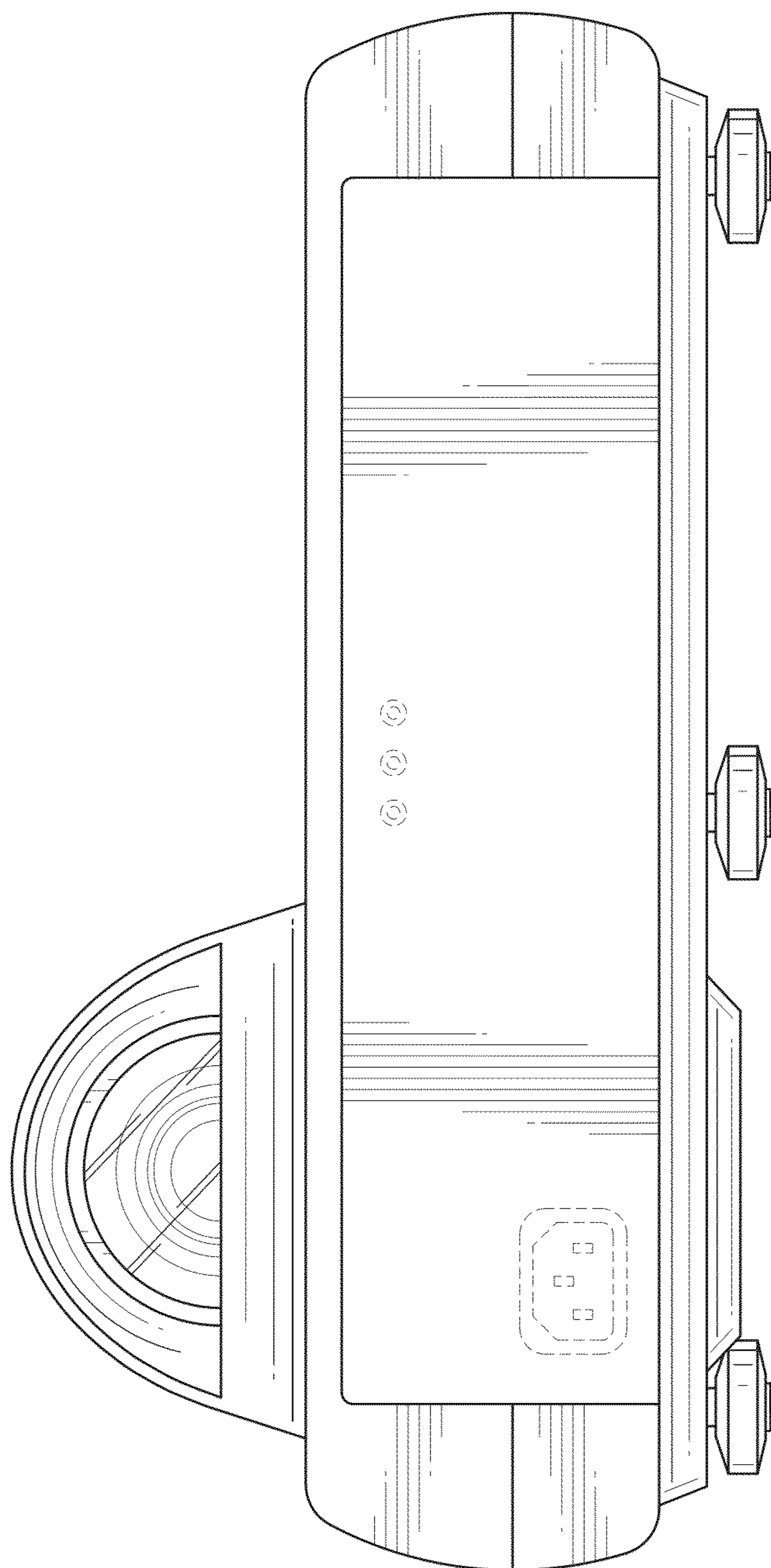


Figure 3

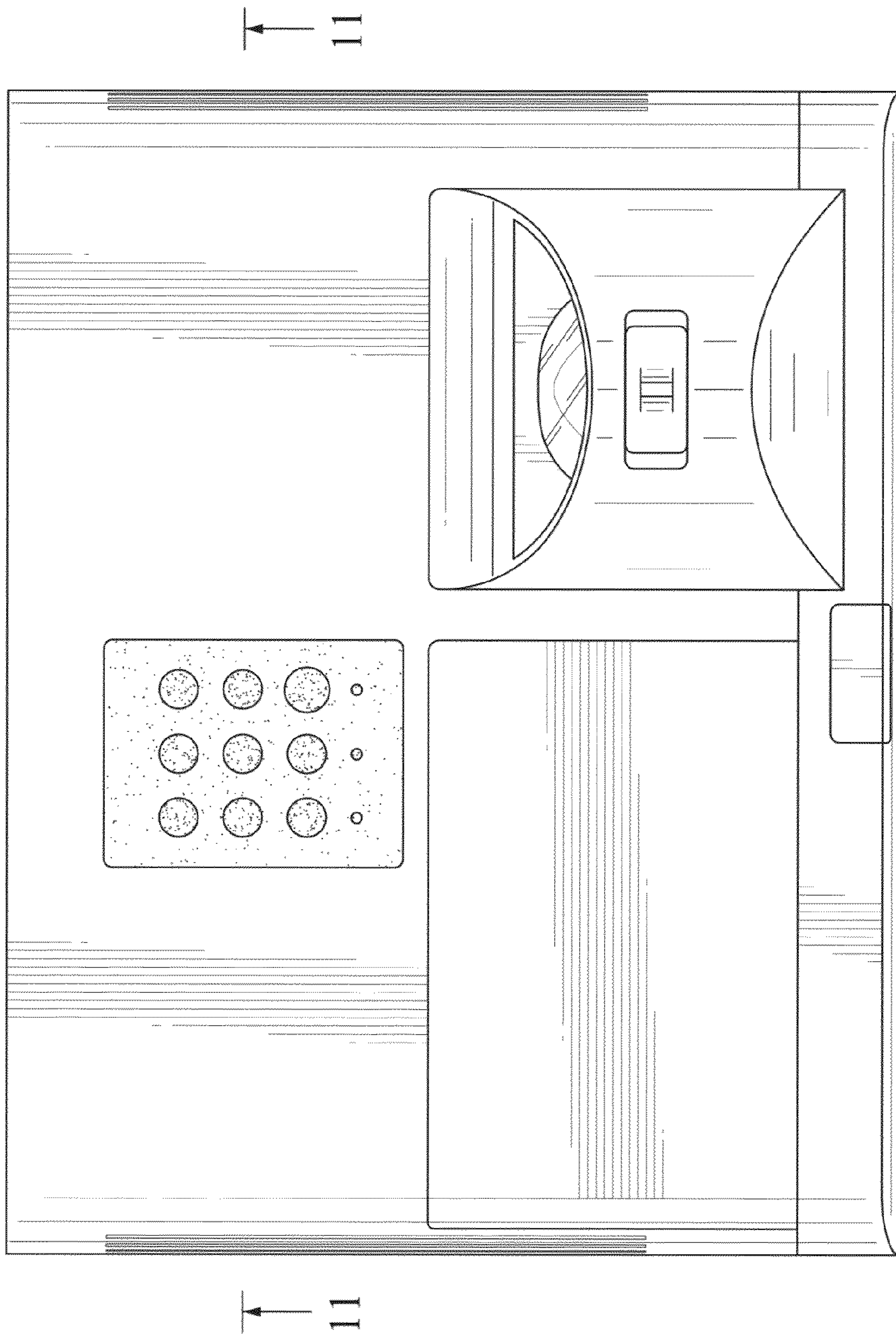


Figure 4

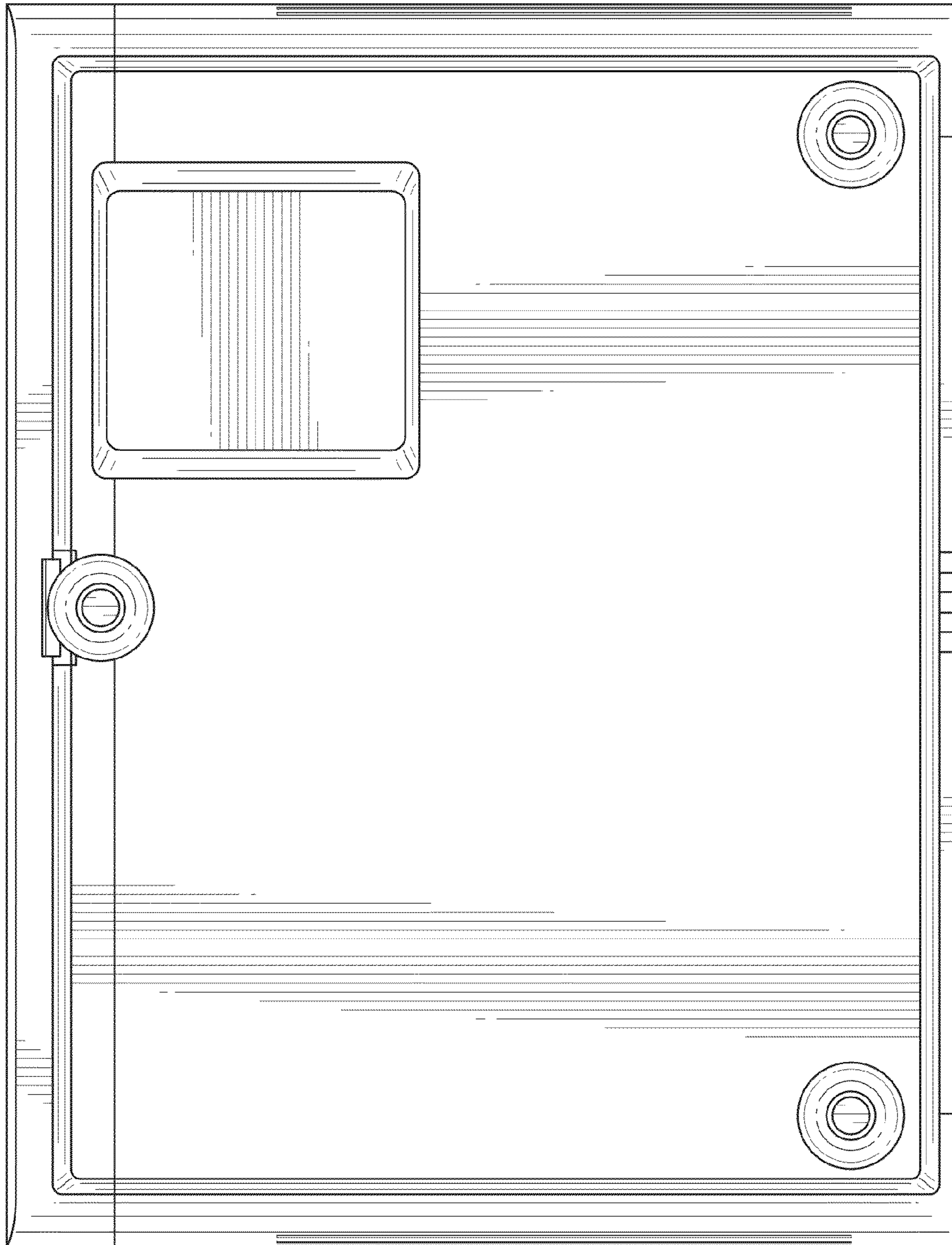


Figure 5

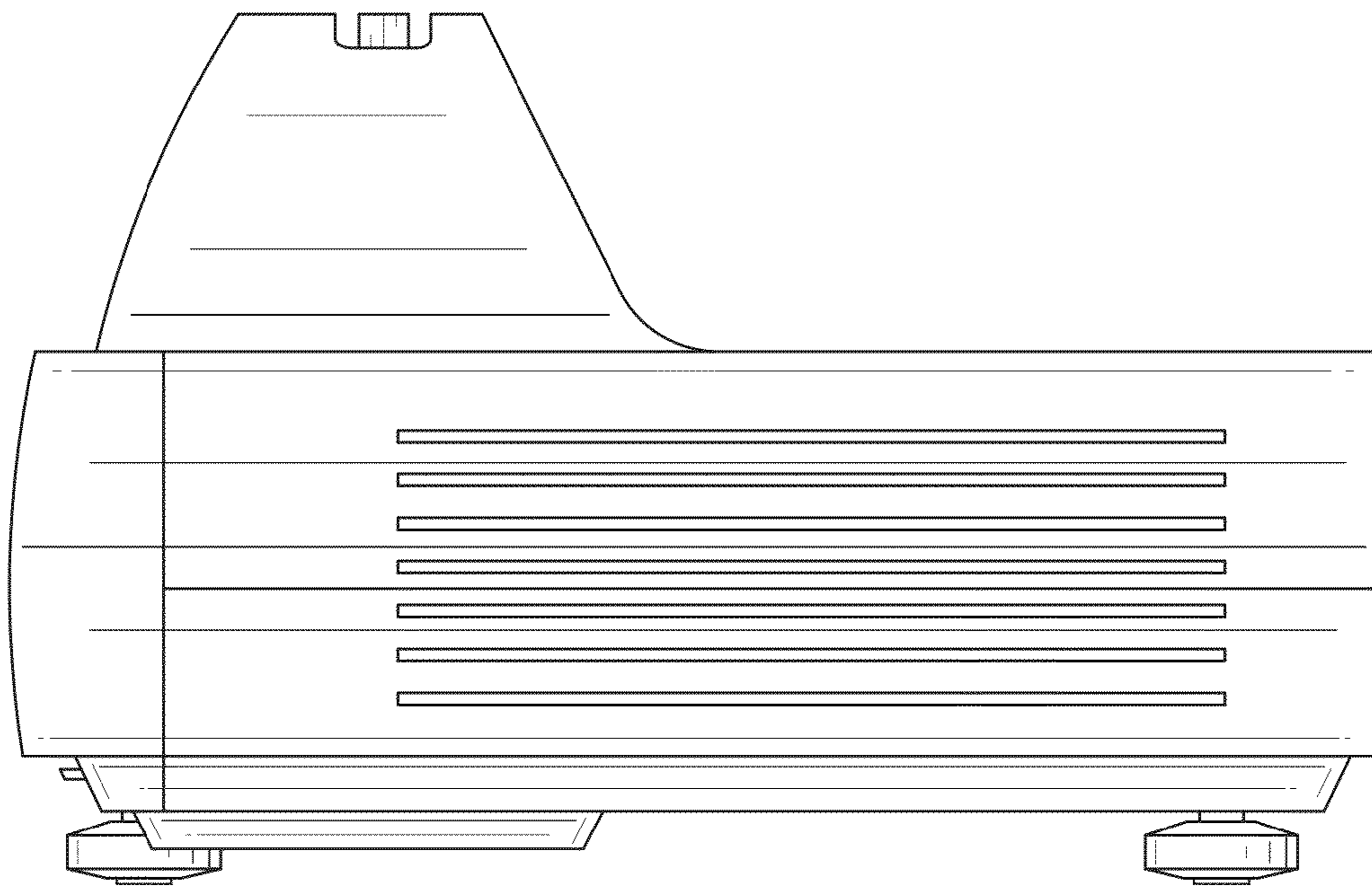


Figure 6

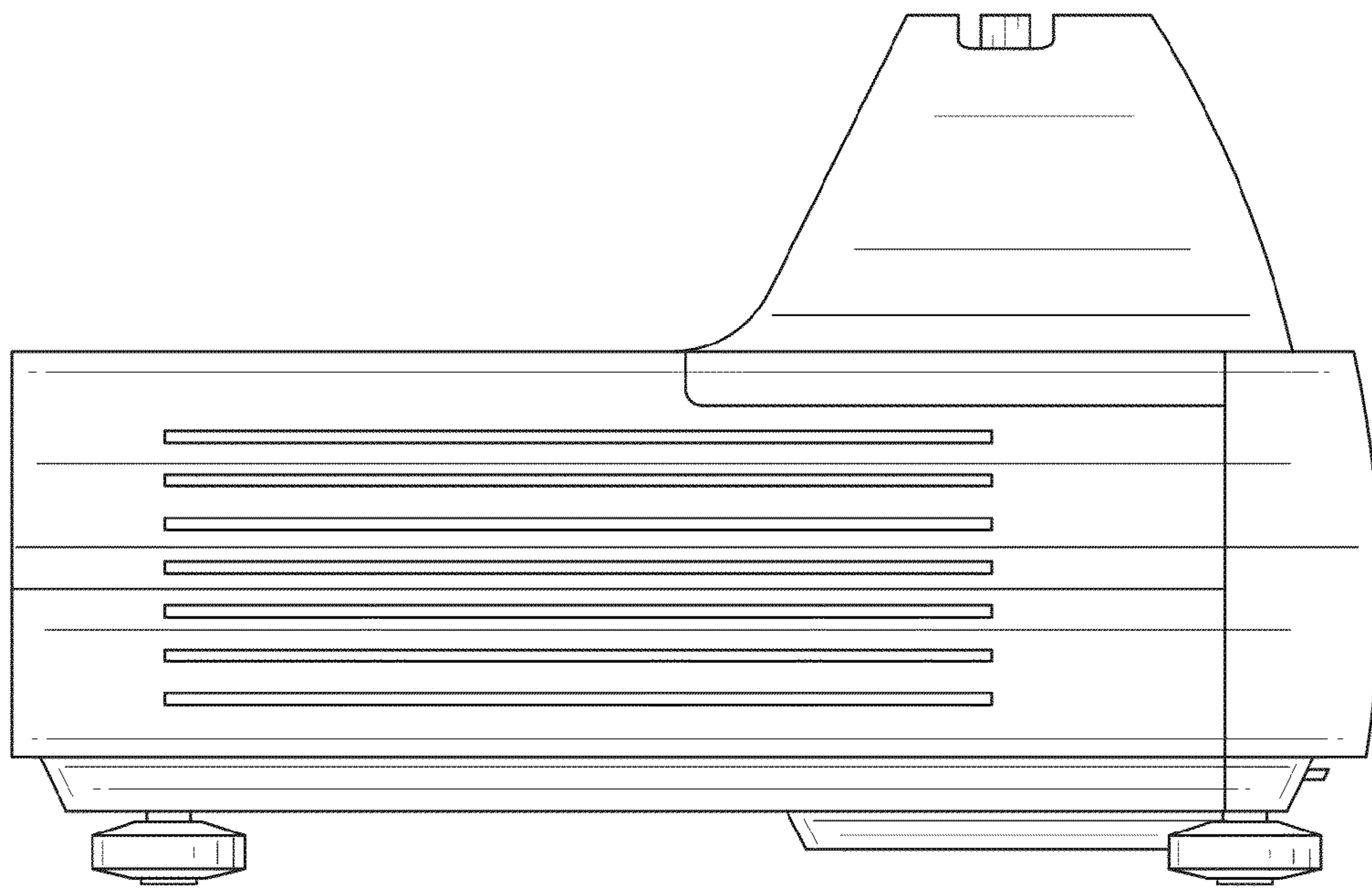


Figure 7

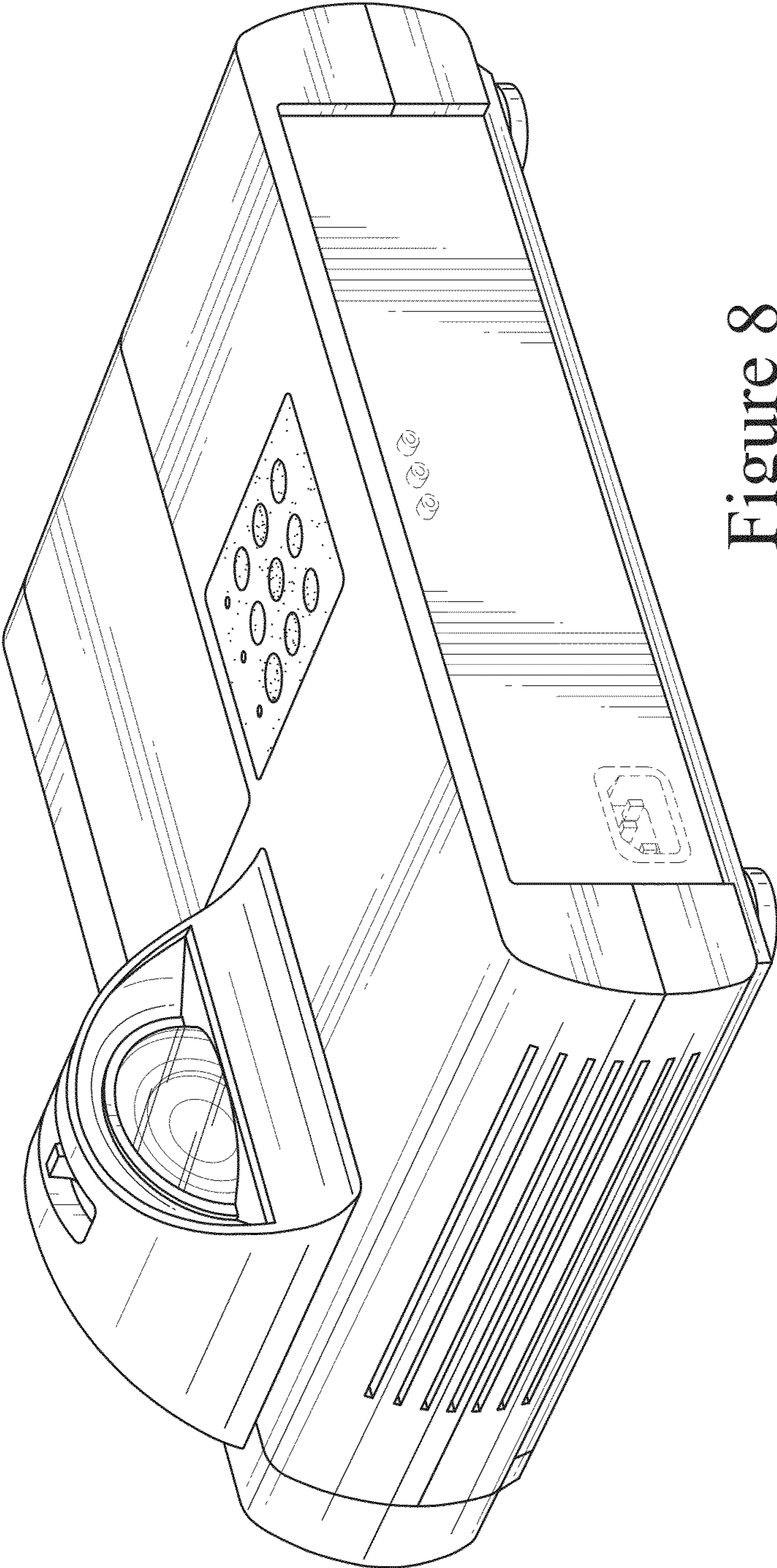


Figure 8

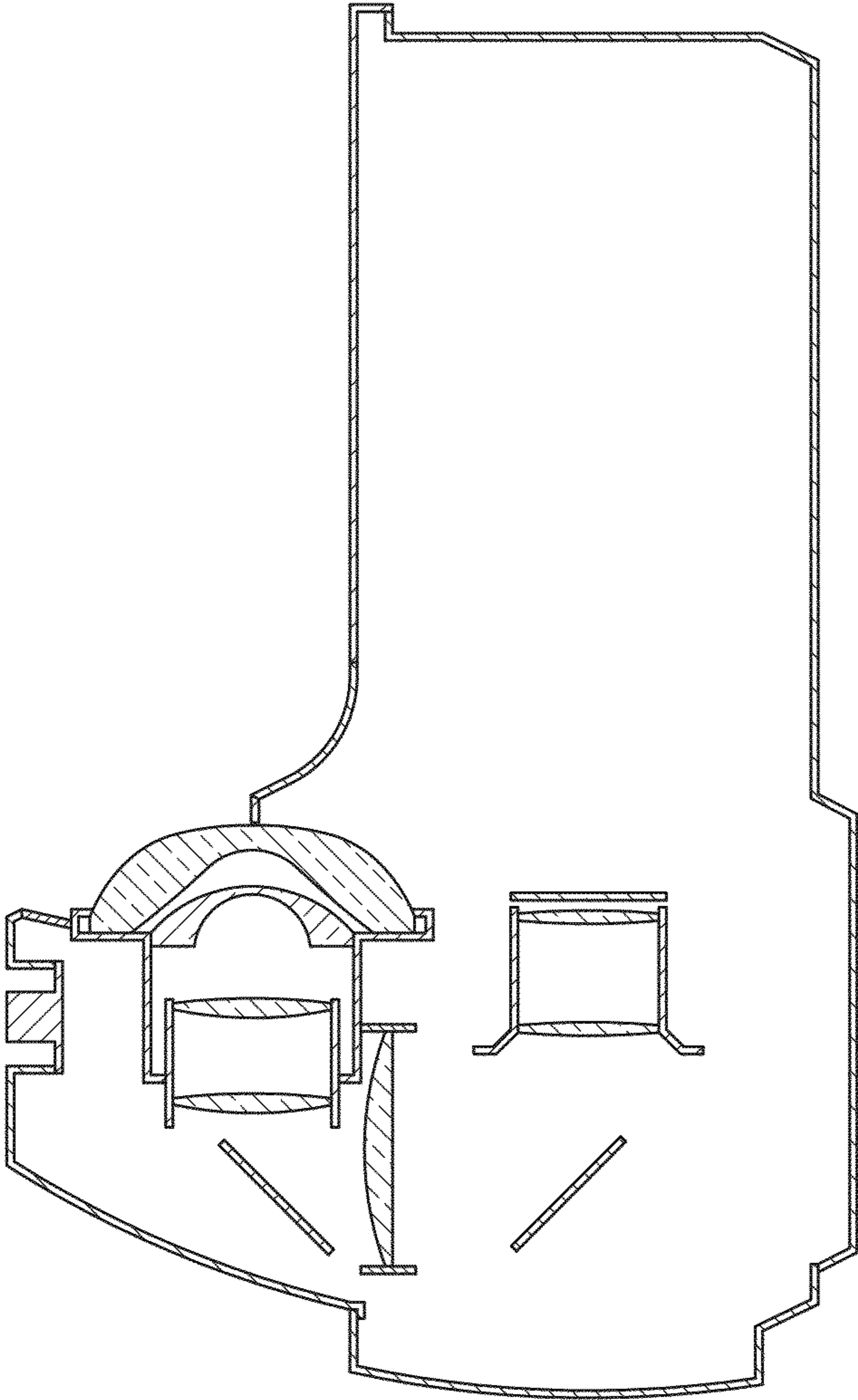


Figure 9

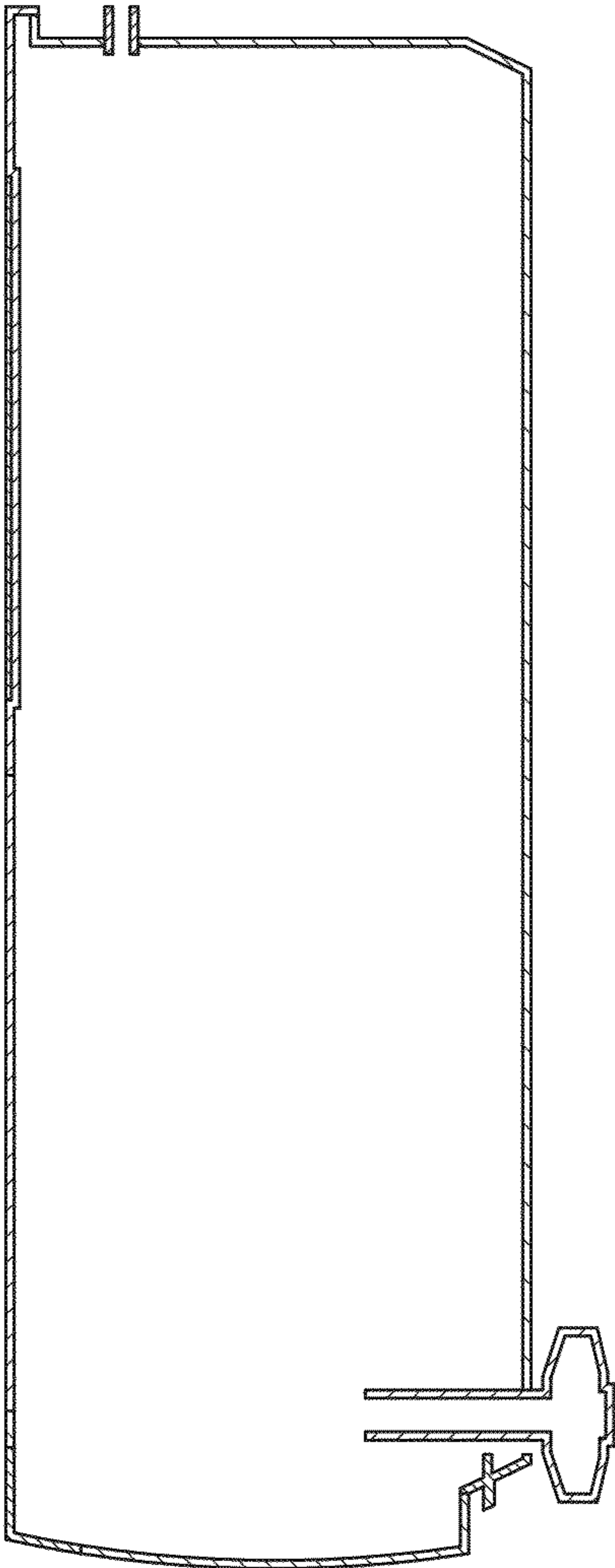


Figure 10

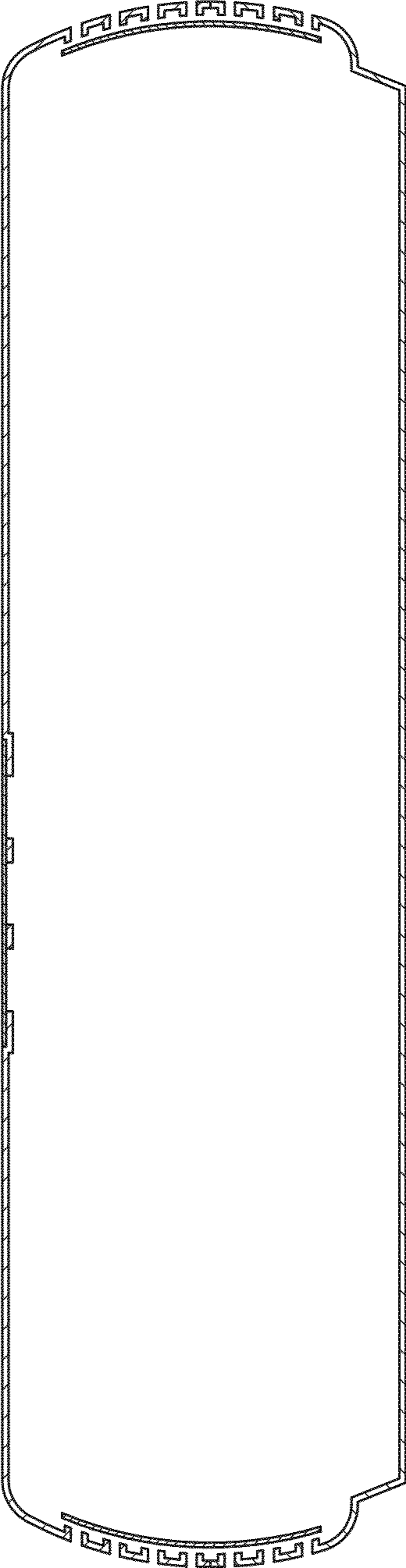


Figure 11