



US00D744574S

(12) **United States Design Patent**
Zhan

(10) **Patent No.:** **US D744,574 S**

(45) **Date of Patent:** **** Dec. 1, 2015**

(54) **CAMERA MONITOR**

(71) Applicant: **FUZHOU F&V PHOTOGRAPHIC EQUIPMENT CO., LTD.**, Fuzhou (CN)

(72) Inventor: **Xiao-Ming Zhan**, Fuzhou (CN)

(73) Assignee: **FUZHOU F&V PHOTOGRAPHIC EQUIPMENT CO., LTD.**, Fuzhou, Fujian (CN)

(**) Term: **14 Years**

(21) Appl. No.: **29/507,730**

(22) Filed: **Oct. 30, 2014**

(51) **LOC (10) Cl.** **16-05**

(52) **U.S. Cl.**
USPC **D16/219**

(58) **Field of Classification Search**
USPC D16/200, 202-206, 208, 218, 219, 237,
D16/242; D14/125-129; 348/61, 63,
348/373-376; 358/906; 396/427, 529-532,
396/535, 539-541
CPC G03B 15/03; G03B 17/02; G03B 17/04;
G03B 17/56; G03B 19/04; H04N 5/2251;
H04N 5/2252; H04N 5/2253; H04N 5/2254;
H04N 2101/00

See application file for complete search history.

(56) **References Cited**

U.S. PATENT DOCUMENTS

D502,199 S * 2/2005 Imai D16/200
D506,767 S * 6/2005 Imai D16/200
D518,004 S * 3/2006 Peng D14/126

D564,991 S * 3/2008 Vitito D14/126
D608,746 S * 1/2010 Tu D14/126
D627,812 S * 11/2010 Oikawa D16/202
D649,575 S * 11/2011 Hanson-Abbott D16/219
D661,331 S * 6/2012 Woodward D16/130
D685,836 S * 7/2013 French D16/219
D687,876 S * 8/2013 Backus D16/219
2003/0137584 A1 * 7/2003 Norvell B60R 11/0235
348/61
2004/0032543 A1 * 2/2004 Chang B60R 11/0235
348/837
2004/0227861 A1 * 11/2004 Schedivy B60N 2/4876
348/837

* cited by examiner

Primary Examiner — Adir Aronovich
Assistant Examiner — Ramzi Almatrahi

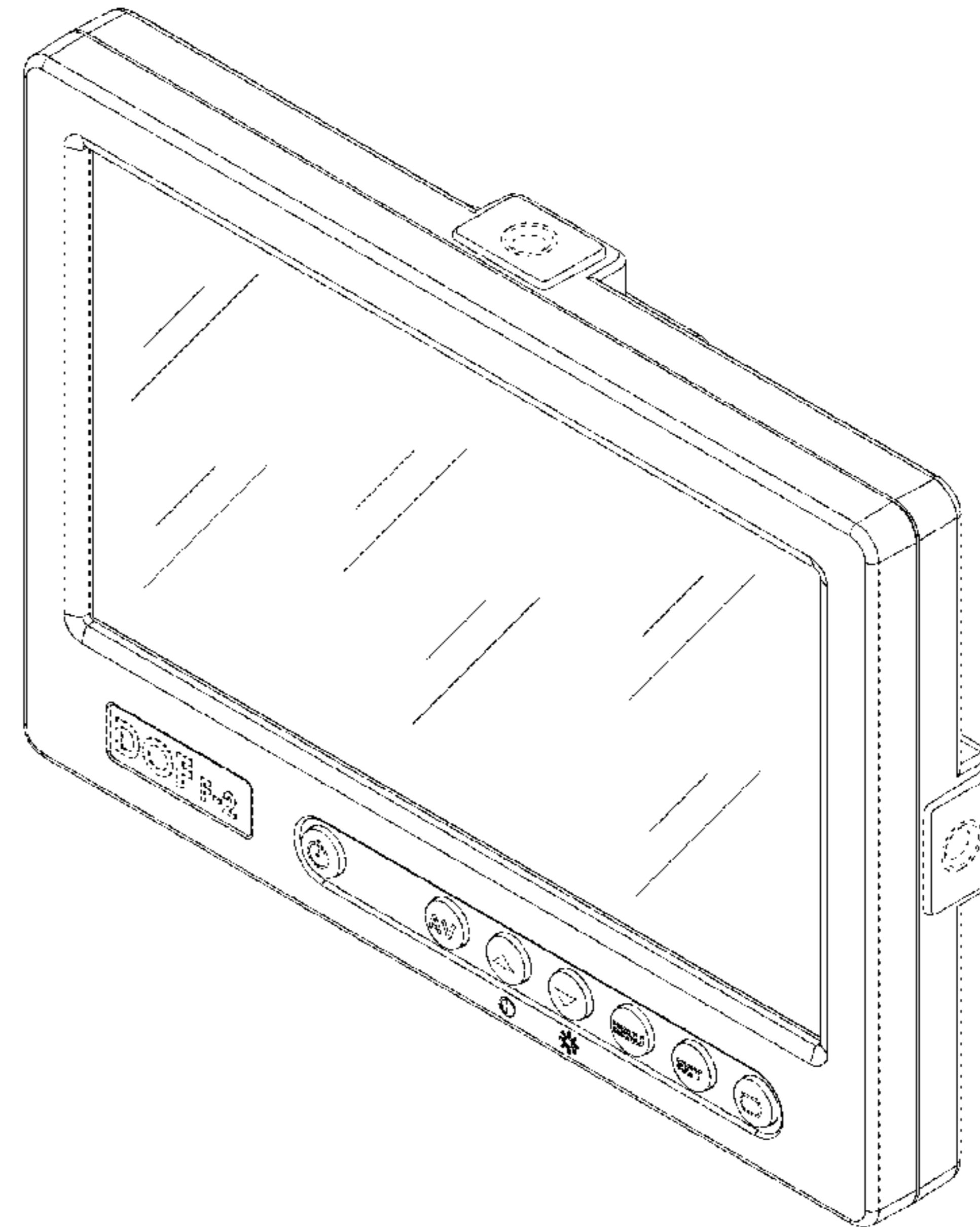
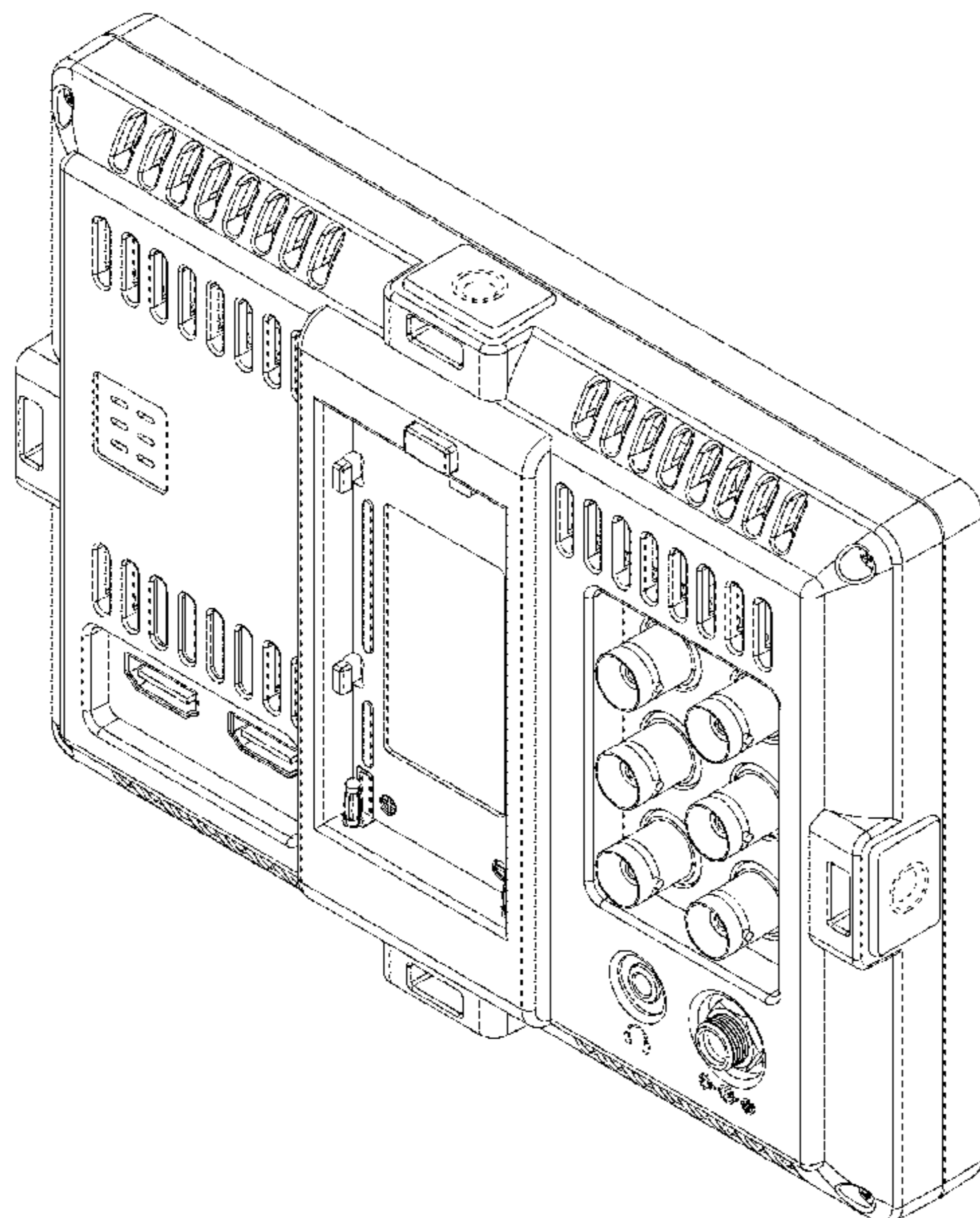
(57) **CLAIM**

The ornamental design for a camera monitor, as shown and described.

DESCRIPTION

FIG. 1 is a front perspective view of a camera monitor showing my new design;
FIG. 2 is a front elevation view thereof;
FIG. 3 is a rear elevation view thereof;
FIG. 4 is a left side elevation view thereof;
FIG. 5 is a right side elevation view thereof;
FIG. 6 is a top plan view thereof;
FIG. 7 is a bottom plan view thereof; and,
FIG. 8 is a rear perspective view thereof.
The broken lines depict portions of a camera monitor in which the design is embodied and form no part of the claimed design.

1 Claim, 8 Drawing Sheets



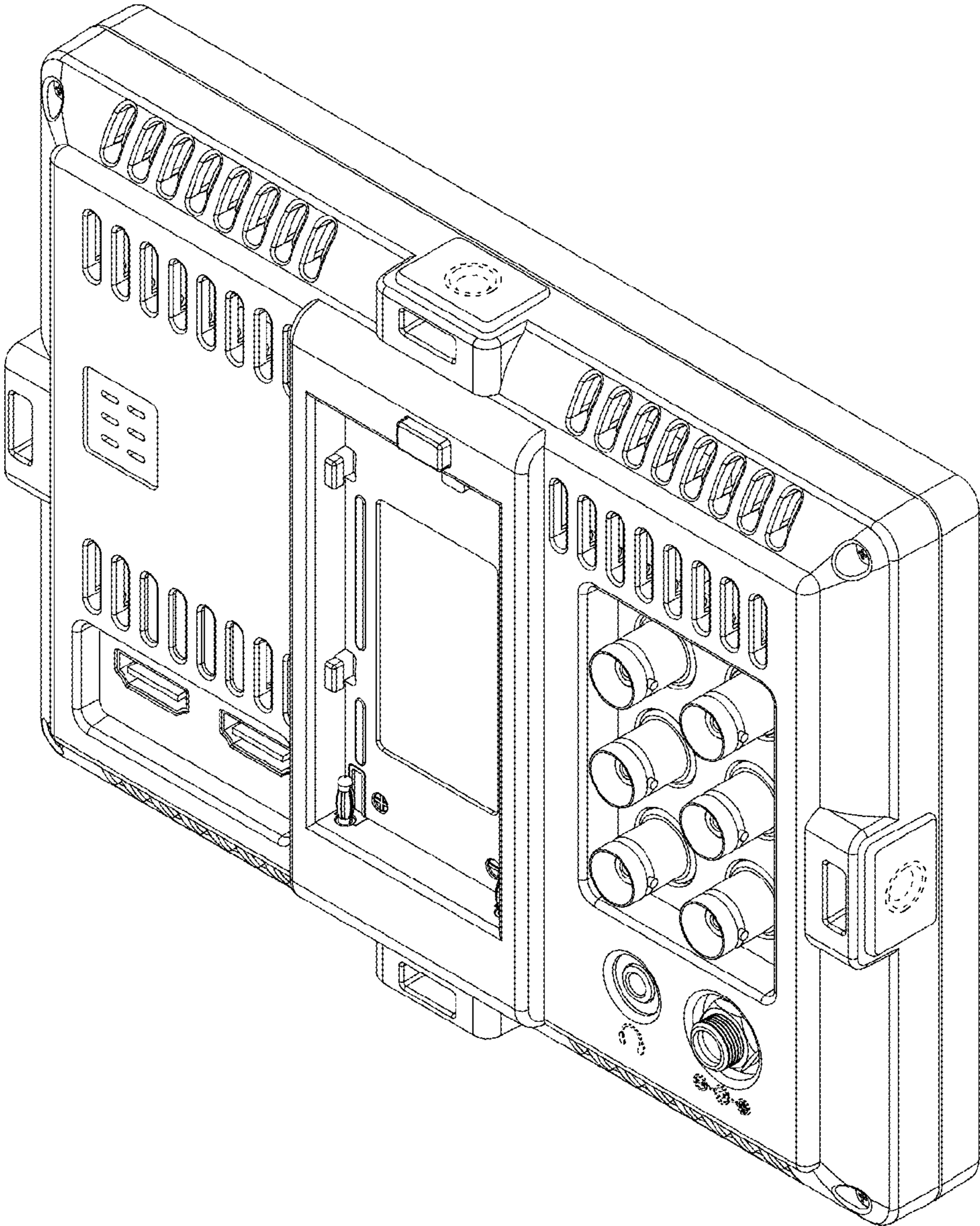


FIG. 1

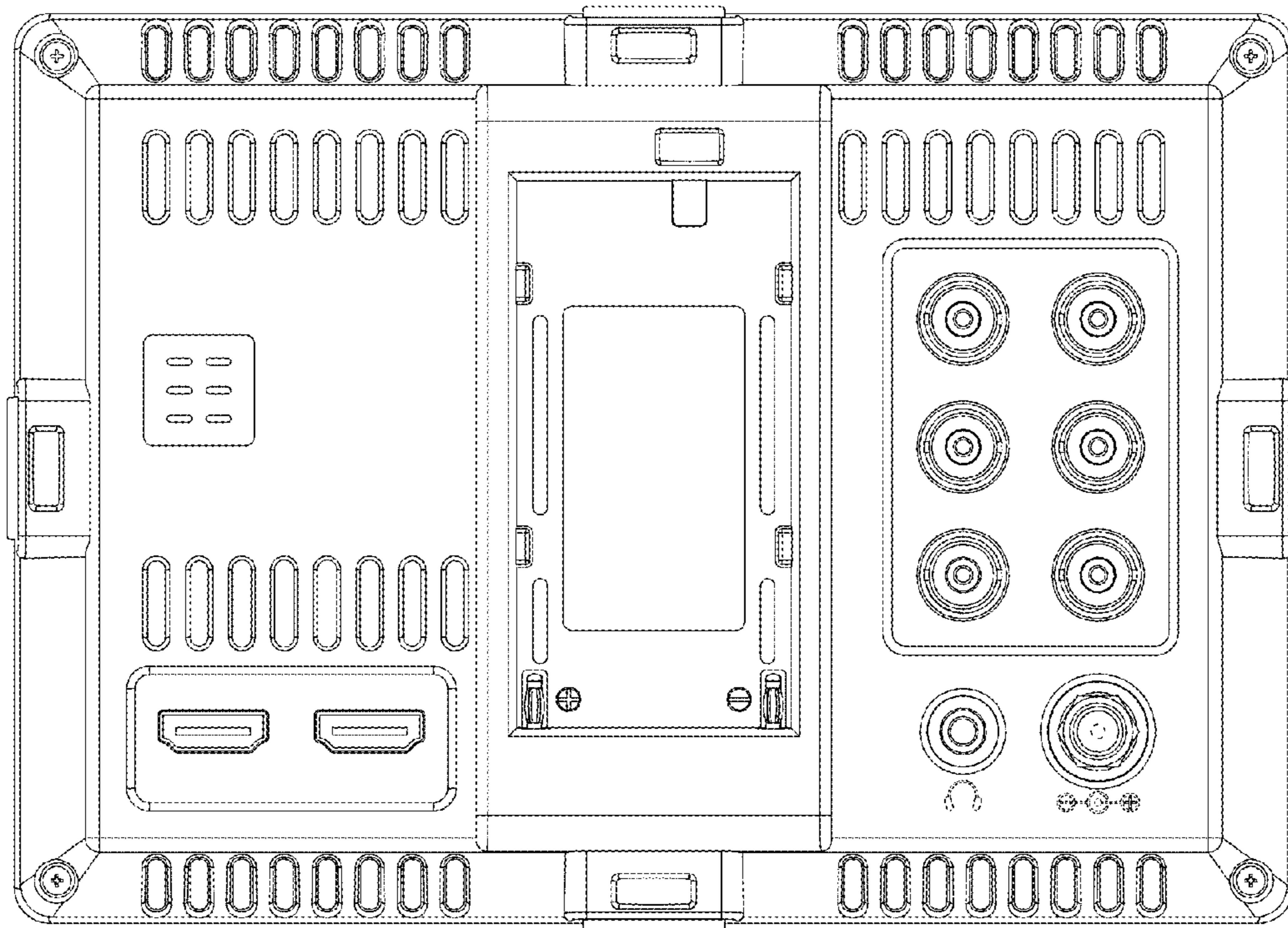


FIG. 2

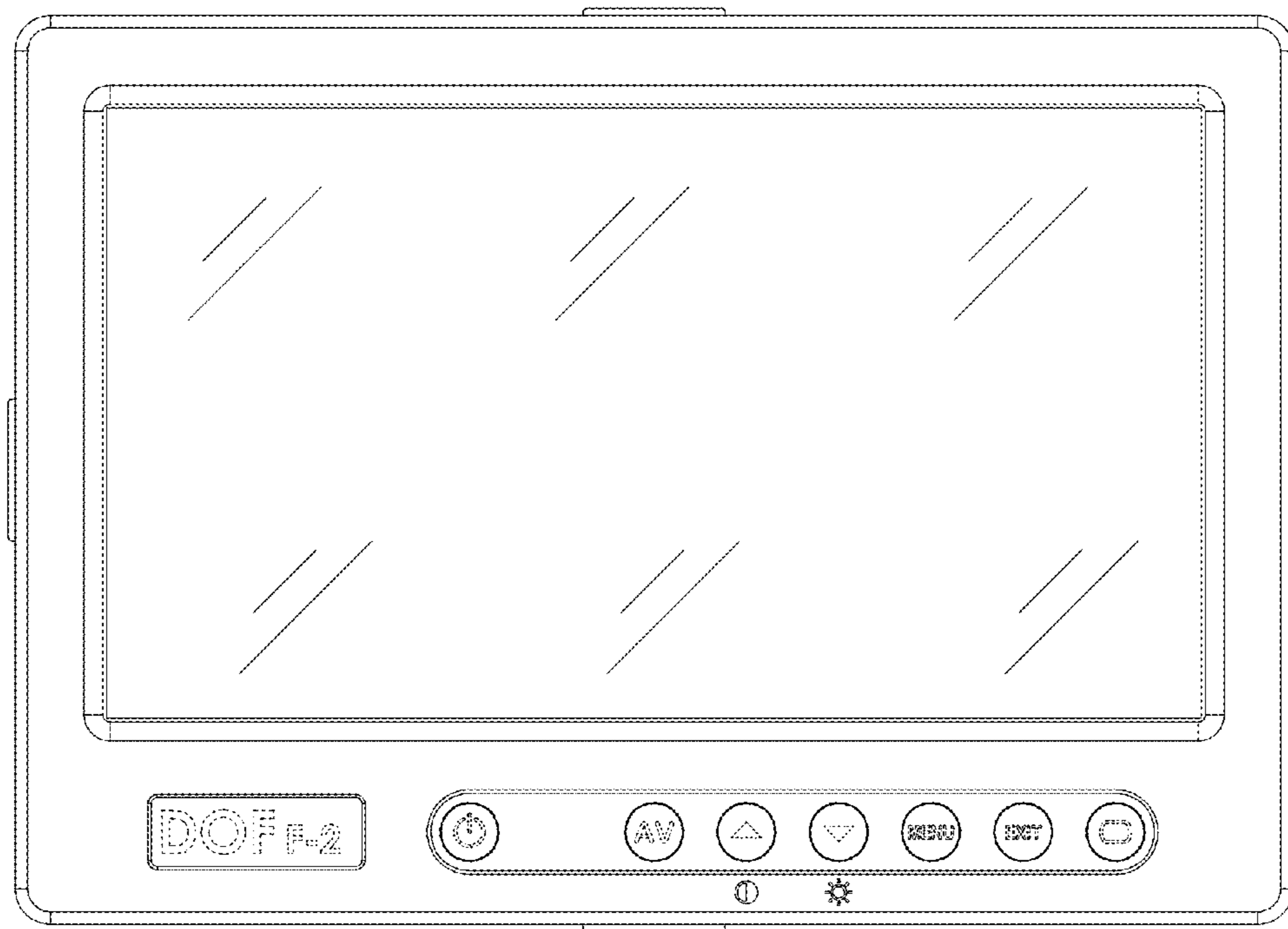


FIG. 3

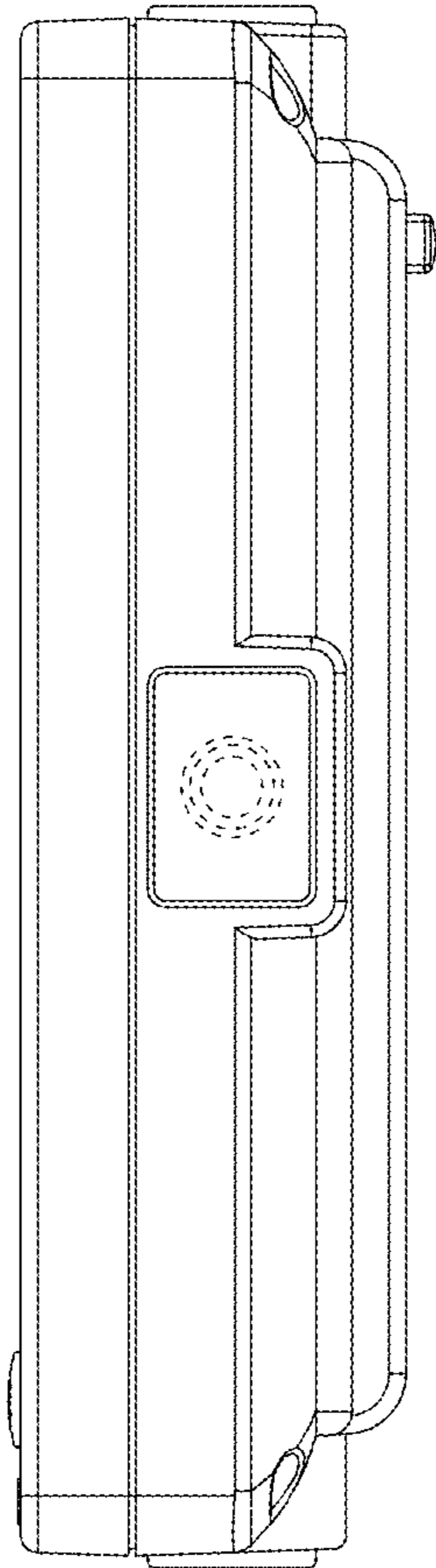
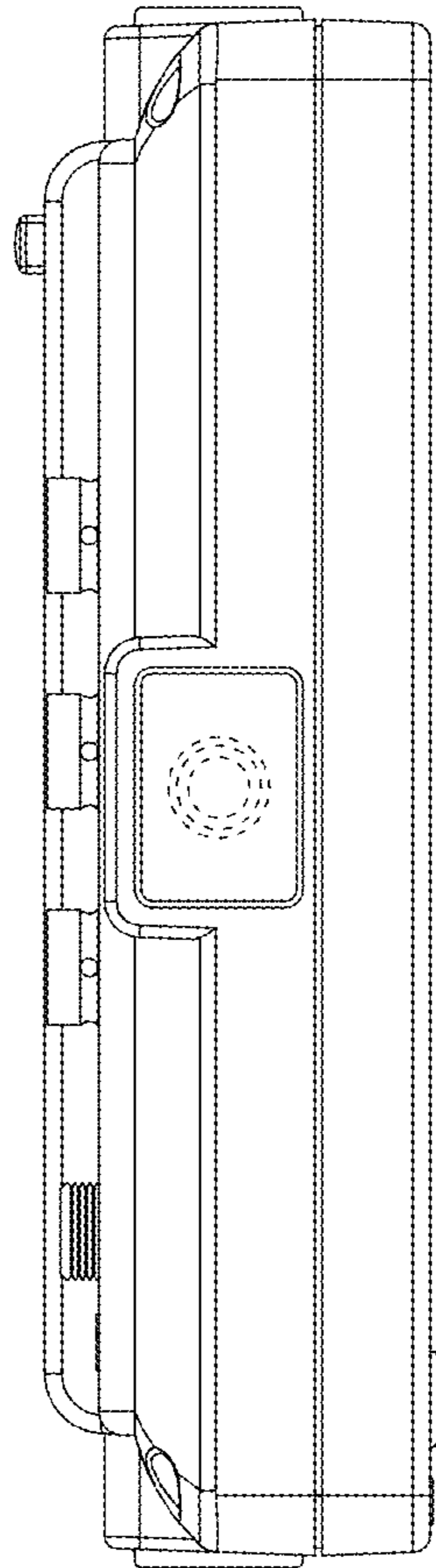
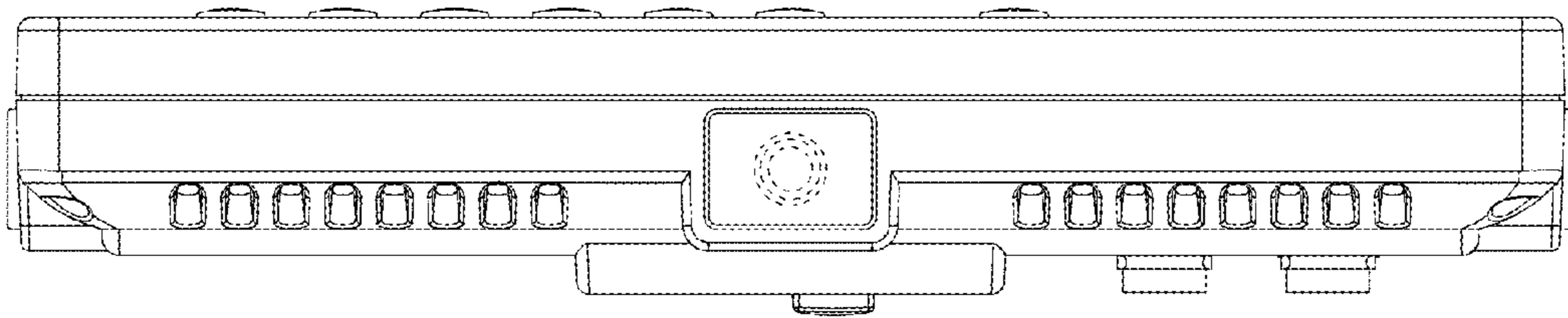


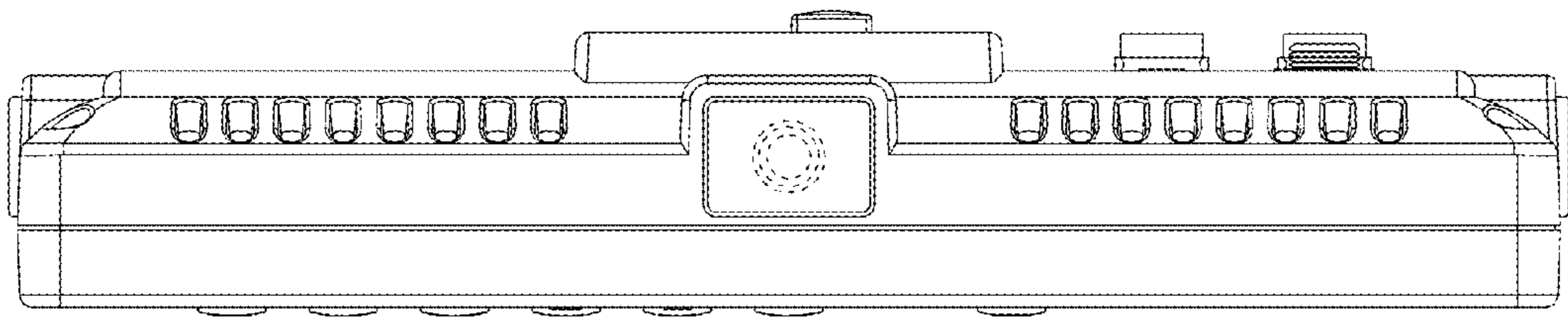
FIG. 4



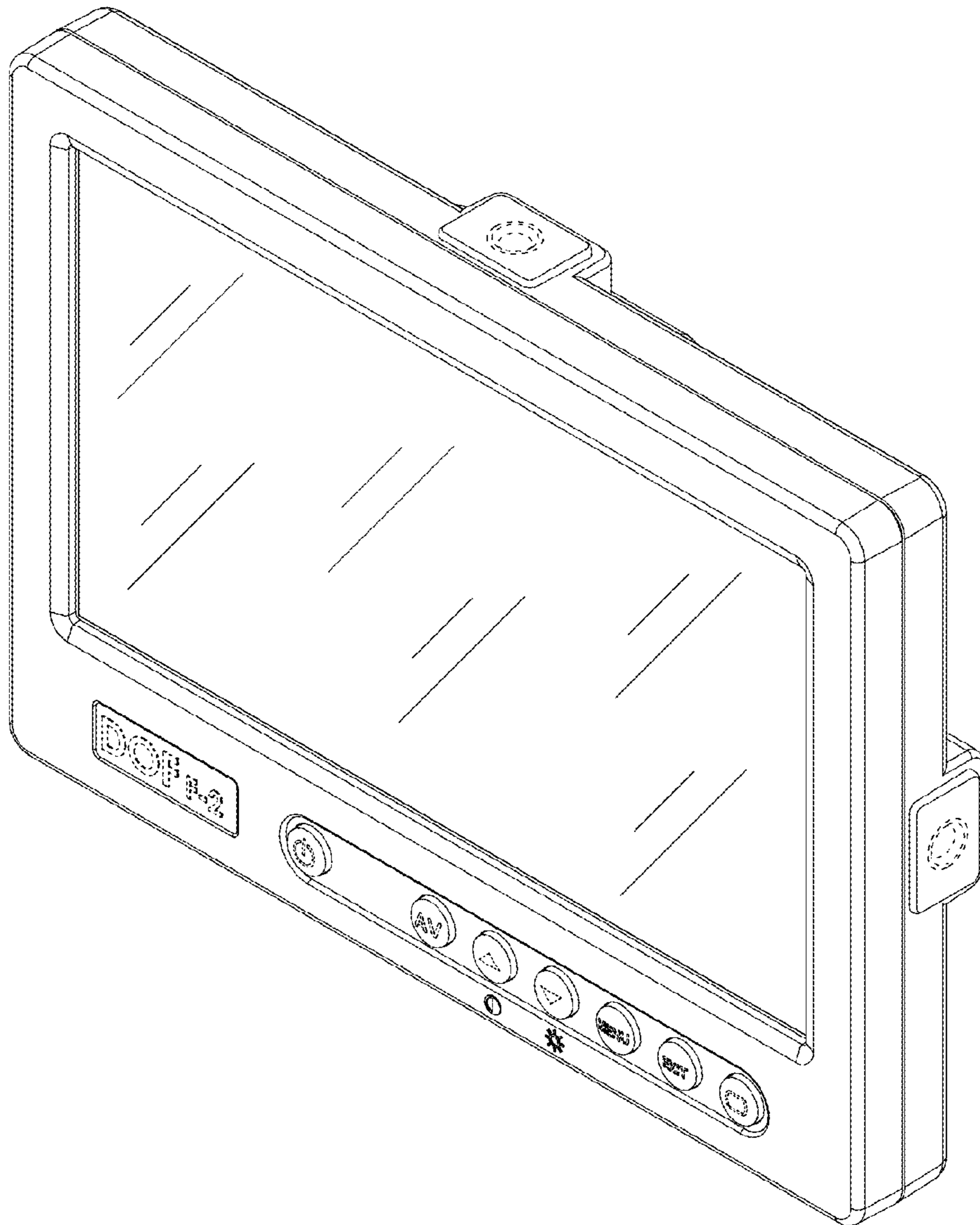
F I G. 5



F I G. 6



F I G . 7



F I G . 8