



US00D744573S

(12) **United States Design Patent**
Matsumiya et al.

(10) **Patent No.:** **US D744,573 S**

(45) **Date of Patent:** **** Dec. 1, 2015**

(54) **CAMERA FOR REMOTE COORDINATE MEASURING MACHINE**

(71) Applicant: **MITUTOYO CORPORATION**,
Kawasaki, Kanagawa (JP)

(72) Inventors: **Sadayuki Matsumiya**, Kawasaki (JP);
Yoshiro Asano, Tokyo (JP); **Shigeru Ohtani**,
Kawasaki (JP); **Yu Sugai**, Kawasaki (JP);
Shinichiro Aoyagi, Kawasaki (JP); **Hitoshi Isobe**,
Kawasaki (JP); **Takeshi Kawabata**, Kawasaki (JP)

(73) Assignee: **MITUTOYO CORPORATION**,
Kawasaki (JP)

(**) Term: **14 Years**

(21) Appl. No.: **29/501,744**

(22) Filed: **Sep. 8, 2014**

(30) **Foreign Application Priority Data**

Mar. 19, 2014 (JP) 2014-005843

(51) **LOC (10) Cl.** **16-01**

(52) **U.S. Cl.**
USPC **D16/218**

(58) **Field of Classification Search**

USPC D10/70, 104.1, 106.6, 106.7; D16/130,
D16/200, 202-203, 207, 208, 210, 218, 219,
D16/242; D14/203.1, 209.1, 496, 497;
348/14.01-14.6, 143, 148, 151,
348/373-376; 396/419, 427, 535, 539-541
CPC G03B 17/02; G03B 19/04; G03B 17/56;
G03B 17/04; G03B 15/03; H04N 5/2251;
H04N 5/2252; H04N 5/2253; H04N 5/2254;
H04N 2101/00; H04N 2007/145; H04N 7/141;
H04N 7/142; H04N 7/147; H04N 7/148;
H04N 7/15; H04N 7/152

See application file for complete search history.

(56) **References Cited**

U.S. PATENT DOCUMENTS

D615,888	S	*	5/2010	Ikeda	D10/70
D619,484	S	*	7/2010	Ikeda	D10/106.7
D662,532	S	*	6/2012	Chang	D16/202
D665,441	S	*	8/2012	McManigal	D16/202
D669,111	S	*	10/2012	Ravi	D16/202
8,323,106	B2	*	12/2012	Zalewski	A63F 13/06 30/32
D685,015	S	*	6/2013	Wang	D16/202
D687,082	S	*	7/2013	Wang	D16/202

(Continued)

Primary Examiner — Adir Aronovich

Assistant Examiner — Ramzi Almatrahi

(74) *Attorney, Agent, or Firm* — Oliff PLC

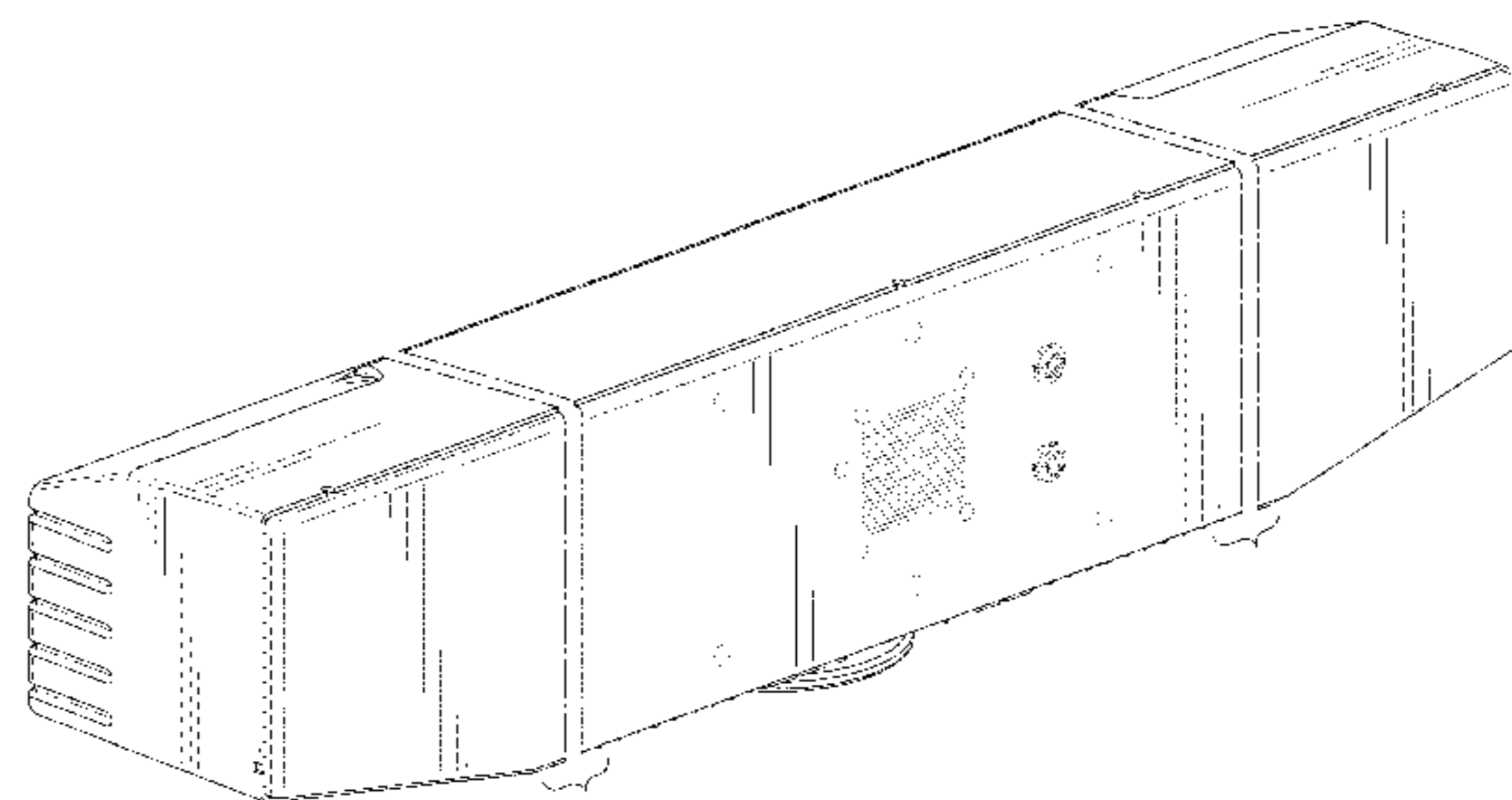
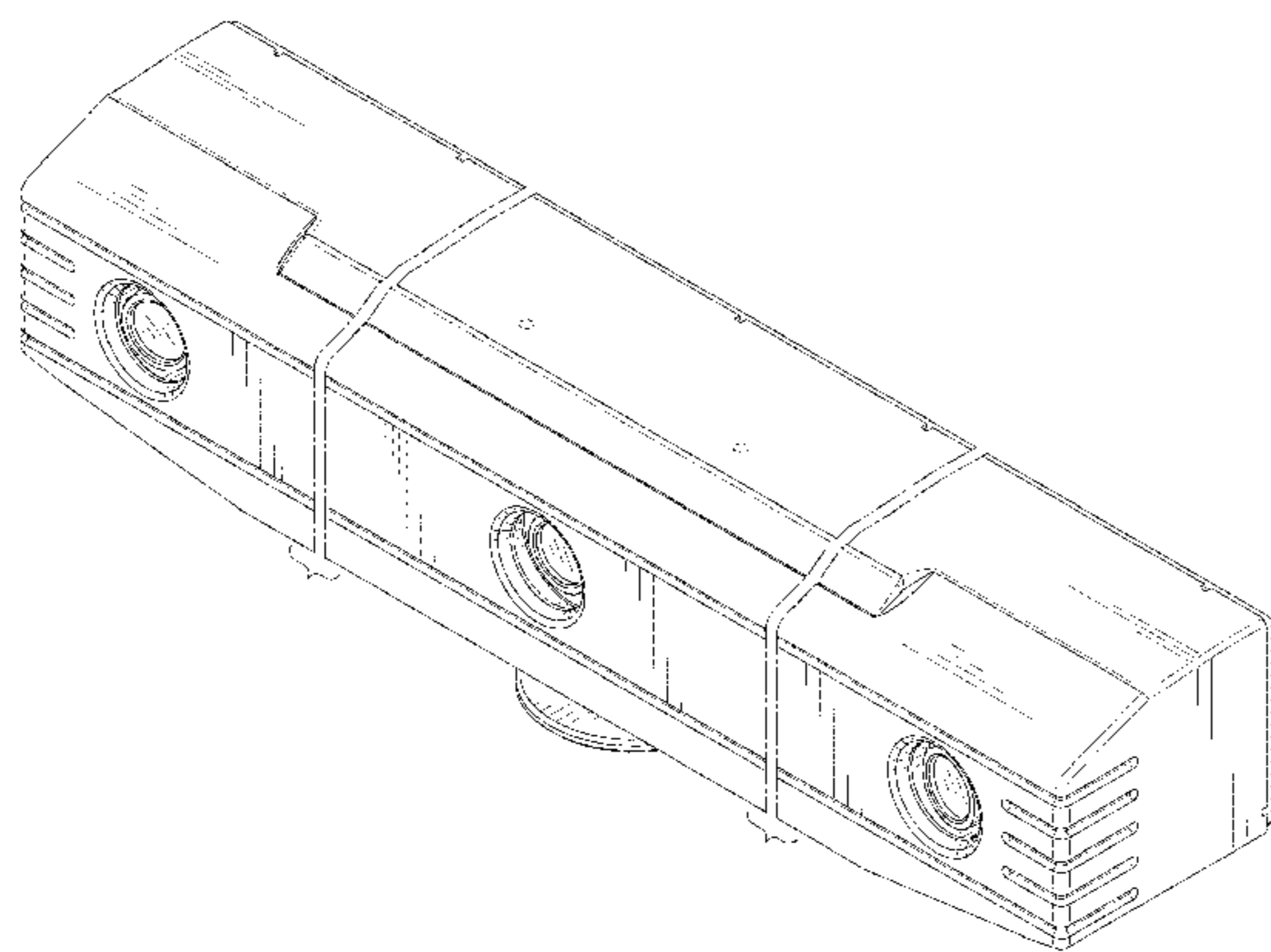
(57) **CLAIM**

The ornamental design for a camera for remote coordinate measuring machine, as shown and described.

DESCRIPTION

FIG. 1 is a top, front and right side perspective view of a camera for remote coordinate measuring machine; FIG. 2 is a front elevational view thereof; FIG. 3 is a top plan view thereof; FIG. 4 is a right-side elevational view thereof; FIG. 5 is a left-side elevational view thereof; FIG. 6 is a rear elevational view thereof; FIG. 7 is a bottom plan view thereof; and, FIG. 8 is a top, rear and right side perspective view thereof. The broken lines depict portions of a camera for remote coordinate measuring machine in which the design is embodied and form no part of the claimed design. The Dot-Dash lines denote the boundary of the claim and form no part of the claimed design. Additionally, the separations depicted by the Dot-Dash lines and brackets indicate break lines for indeterminate length. Any portion of the article between the break lines forms no part of the claimed design.

1 Claim, 7 Drawing Sheets



US D744,573 S

Page 2

(56)

References Cited

U.S. PATENT DOCUMENTS

D693,711 S	*	11/2013	Jacobs	D10/106.6	
D709,117 S	*	7/2014	Gan	D16/202	* cited by examiner
D711,949 S	*	8/2014	Koenck	D16/130	
D712,952 S	*	9/2014	Sumii	D14/496	
2006/0061655 A1	*	3/2006	Wang	B60R 11/04 348/148	

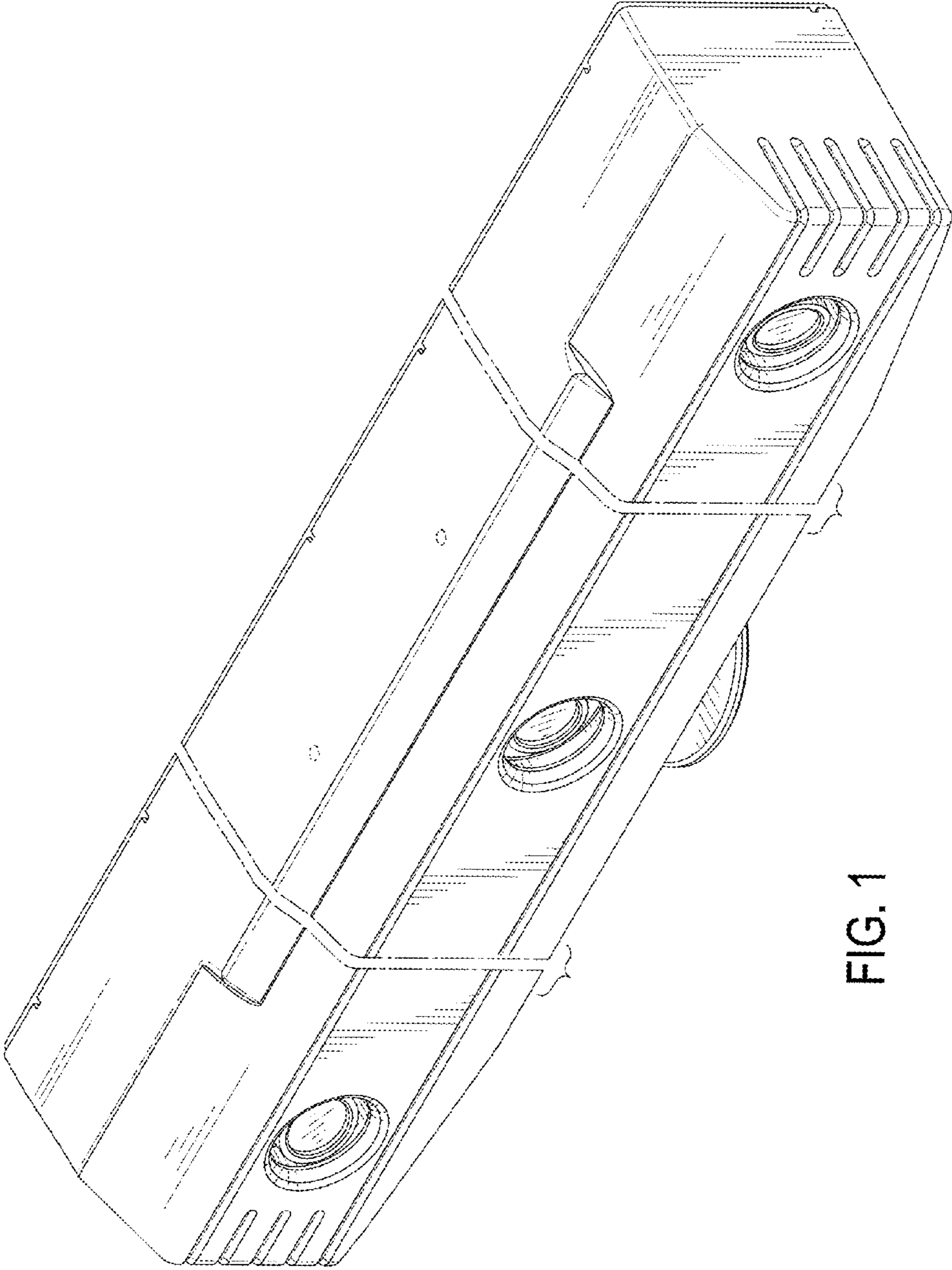


FIG. 1

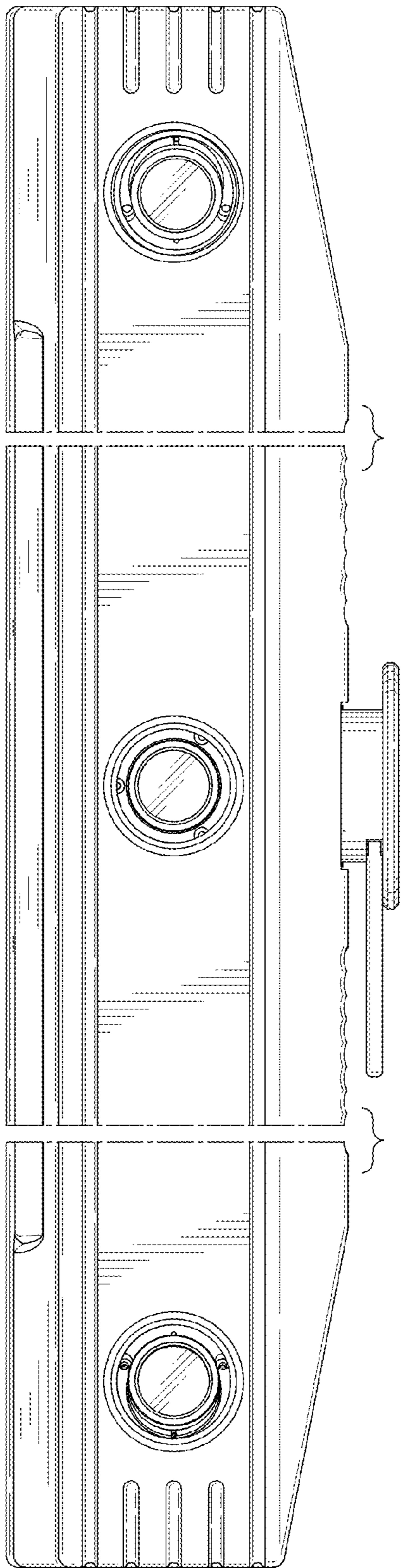


FIG. 2

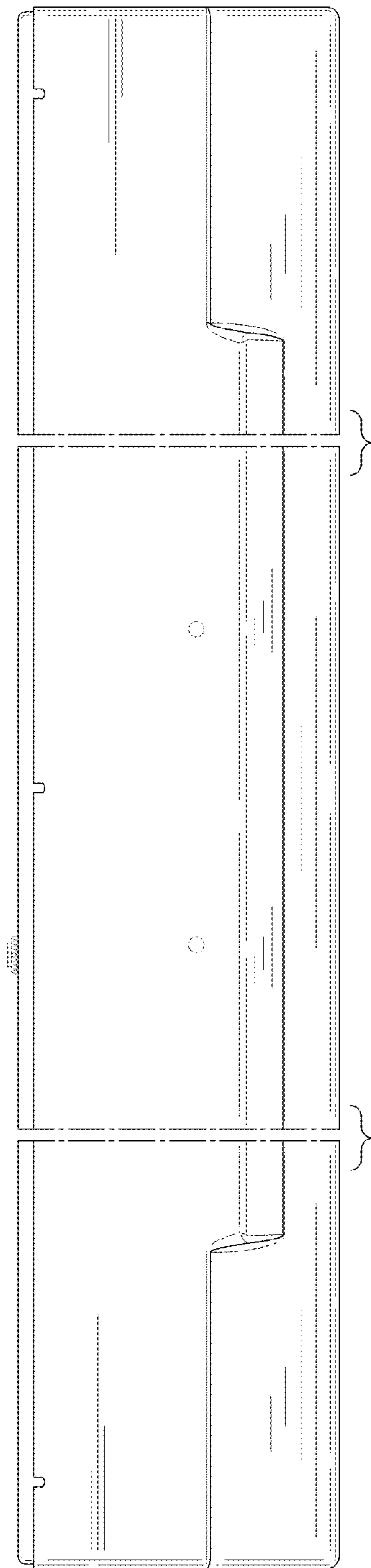


FIG. 3

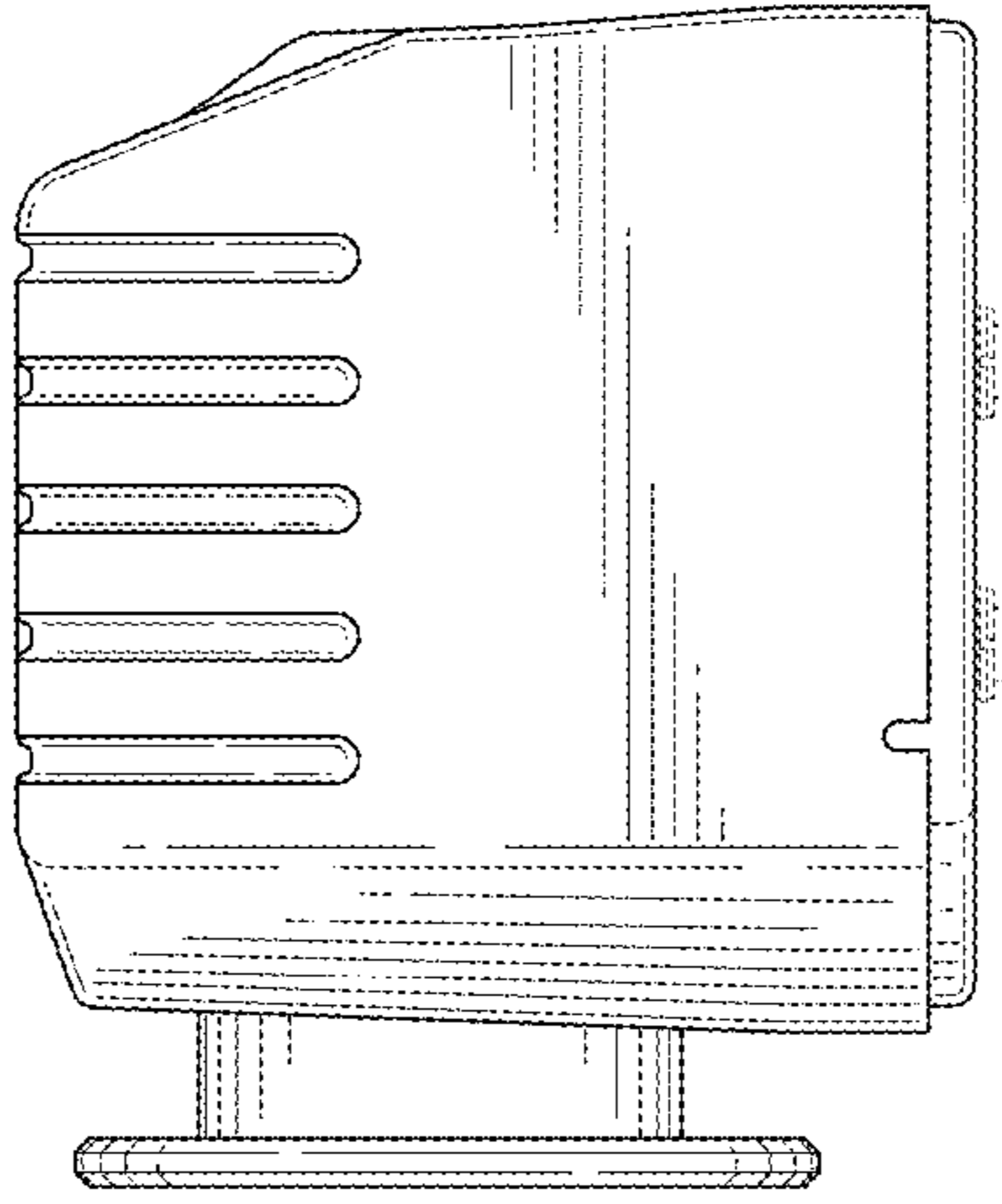


FIG. 4

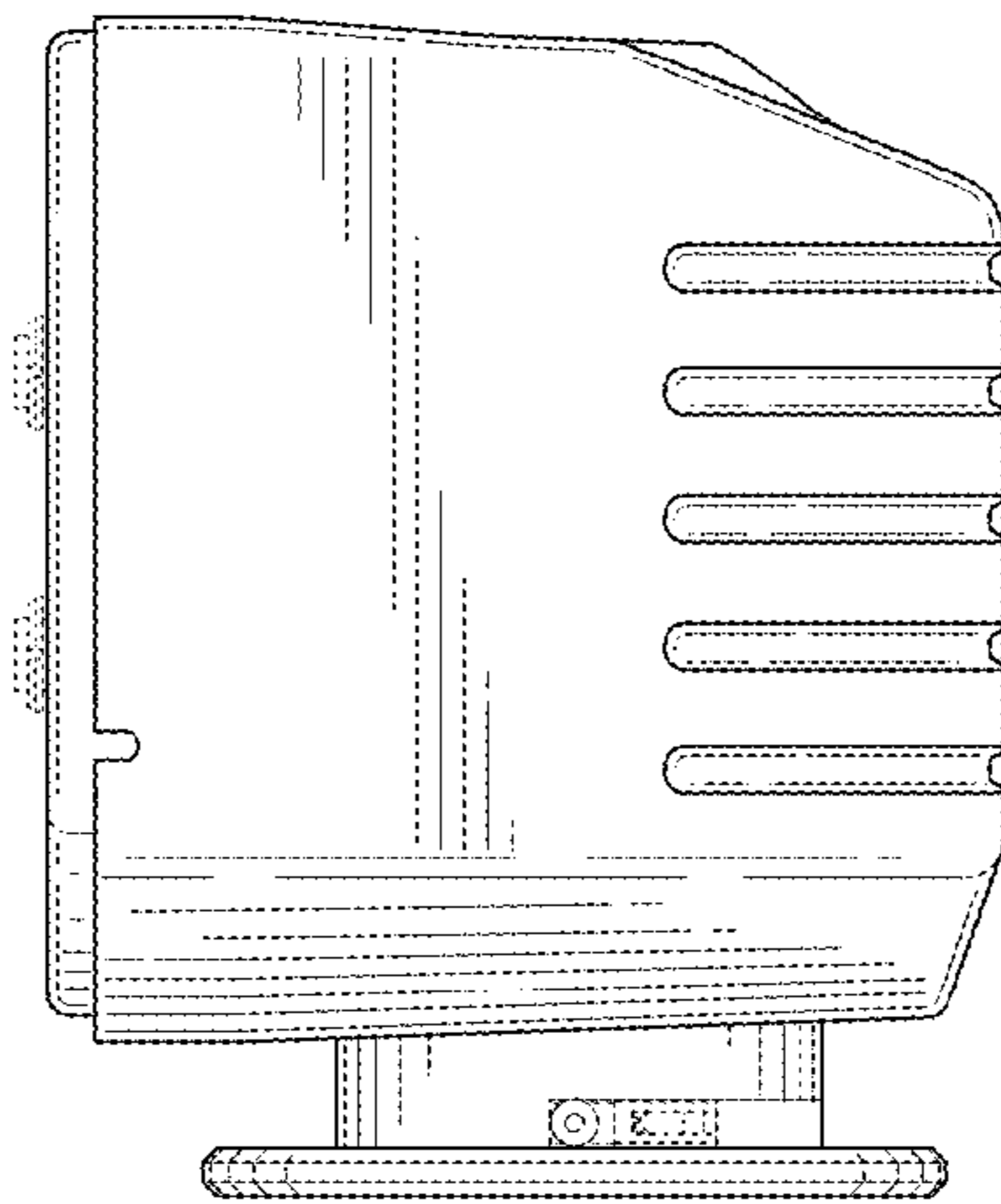


FIG. 5

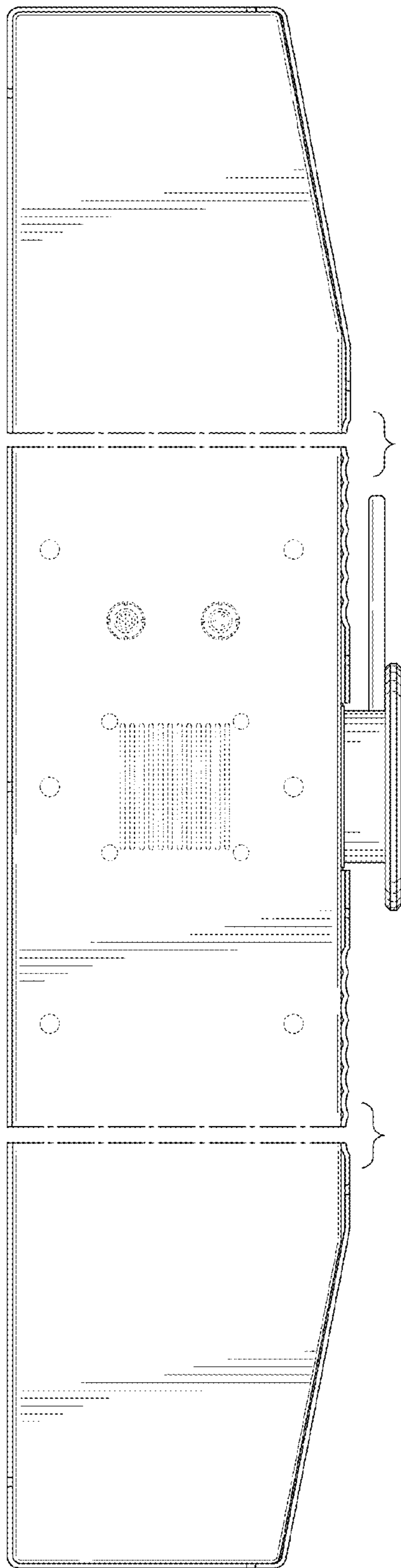


FIG. 6

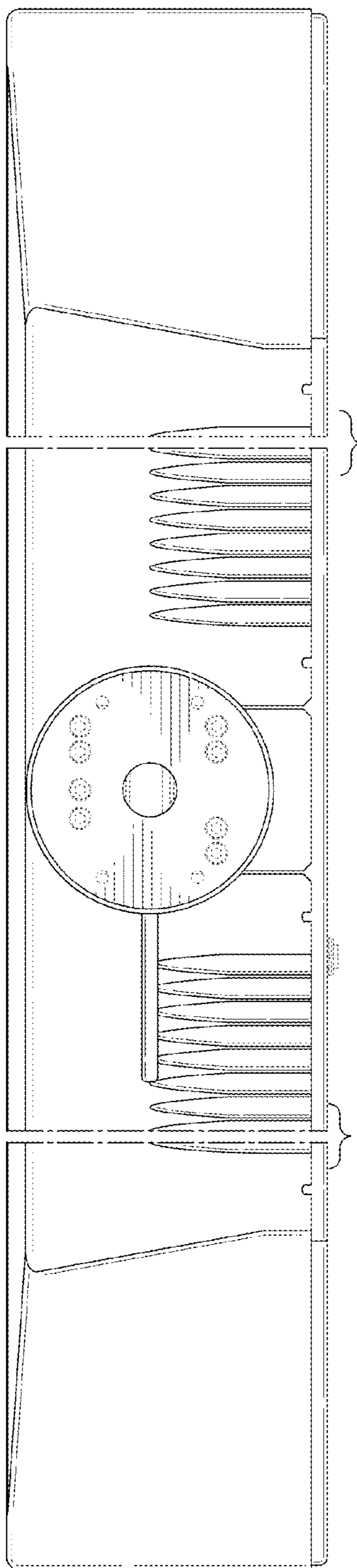


FIG. 7

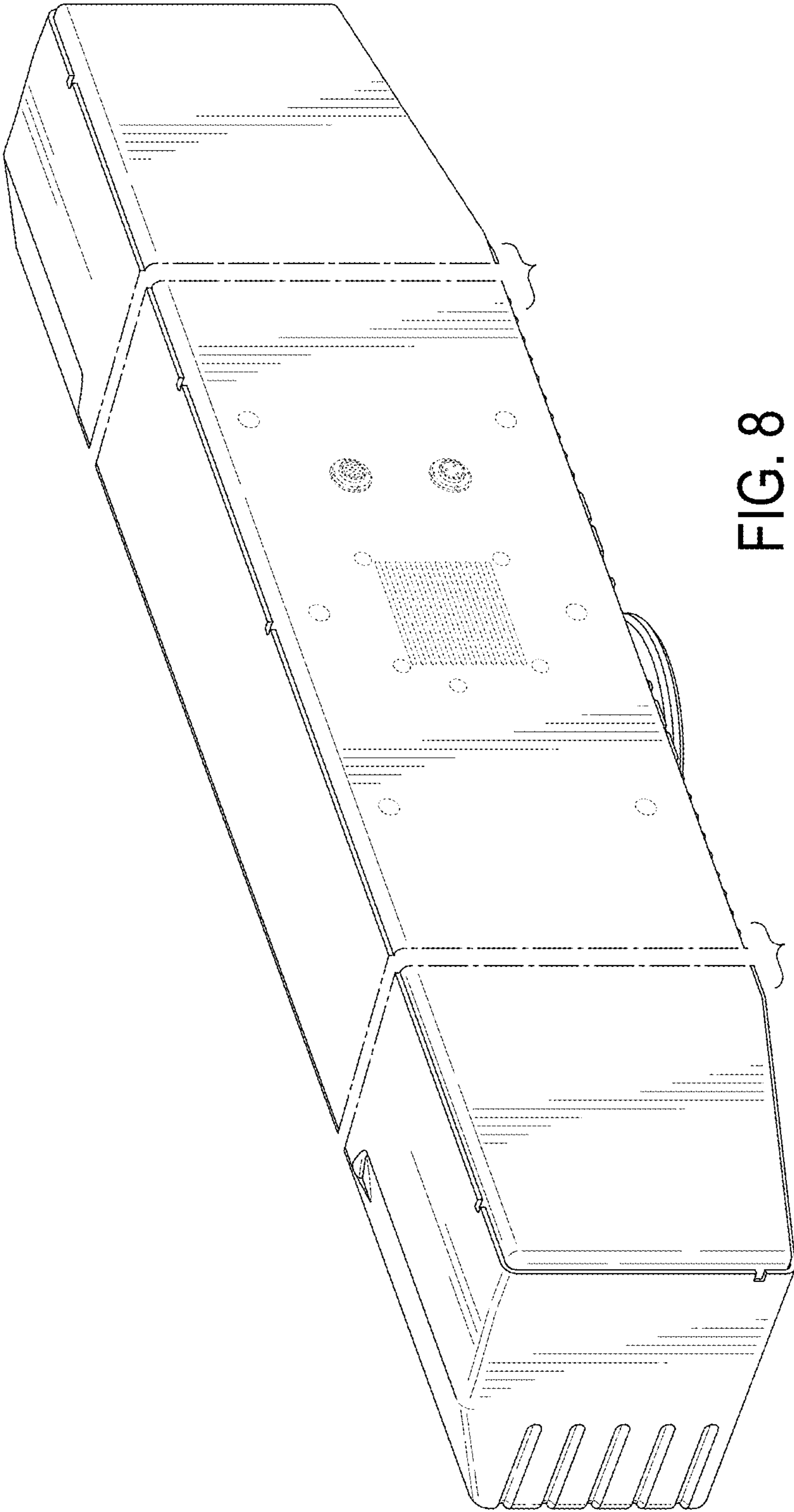


FIG. 8