



US00D744570S

(12) **United States Design Patent**
Criscuolo et al.

(10) **Patent No.:** **US D744,570 S**

(45) **Date of Patent:** **** Dec. 1, 2015**

(54) **CAMERA ENCLOSURE**

(56) **References Cited**

(71) Applicants: **Michael Thomas Criscuolo**, Long Beach, CA (US); **Timothy Karl Sears**, Solana Beach, CA (US)

U.S. PATENT DOCUMENTS

D424,087 S *	5/2000	Frick et al.	D16/203
D461,485 S *	8/2002	Jones et al.	D16/203
D473,887 S *	4/2003	Jones et al.	D16/203
D527,405 S *	8/2006	Kim et al.	D16/203
D552,651 S *	10/2007	Arbuckle	D16/203
D561,808 S *	2/2008	Arnold et al.	D16/219
D568,361 S *	5/2008	Arnold et al.	D16/203
D576,195 S *	9/2008	Grotto	D16/203
D576,196 S *	9/2008	Grotto	D16/203
D577,758 S *	9/2008	Ferris et al.	D16/203
D620,513 S *	7/2010	Richards	D16/203
D666,233 S *	8/2012	Carver et al.	D16/200

(72) Inventors: **Michael Thomas Criscuolo**, Long Beach, CA (US); **Timothy Karl Sears**, Solana Beach, CA (US)

(**) Term: **14 Years**

* cited by examiner

(21) Appl. No.: **29/461,017**

Primary Examiner — Susan E Krakower
Assistant Examiner — Ramzi Almatrahi

(22) Filed: **Jul. 17, 2013**

(51) **LOC (10) Cl.** **16-01**

(52) **U.S. Cl.**
USPC **D16/203**

(57) **CLAIM**

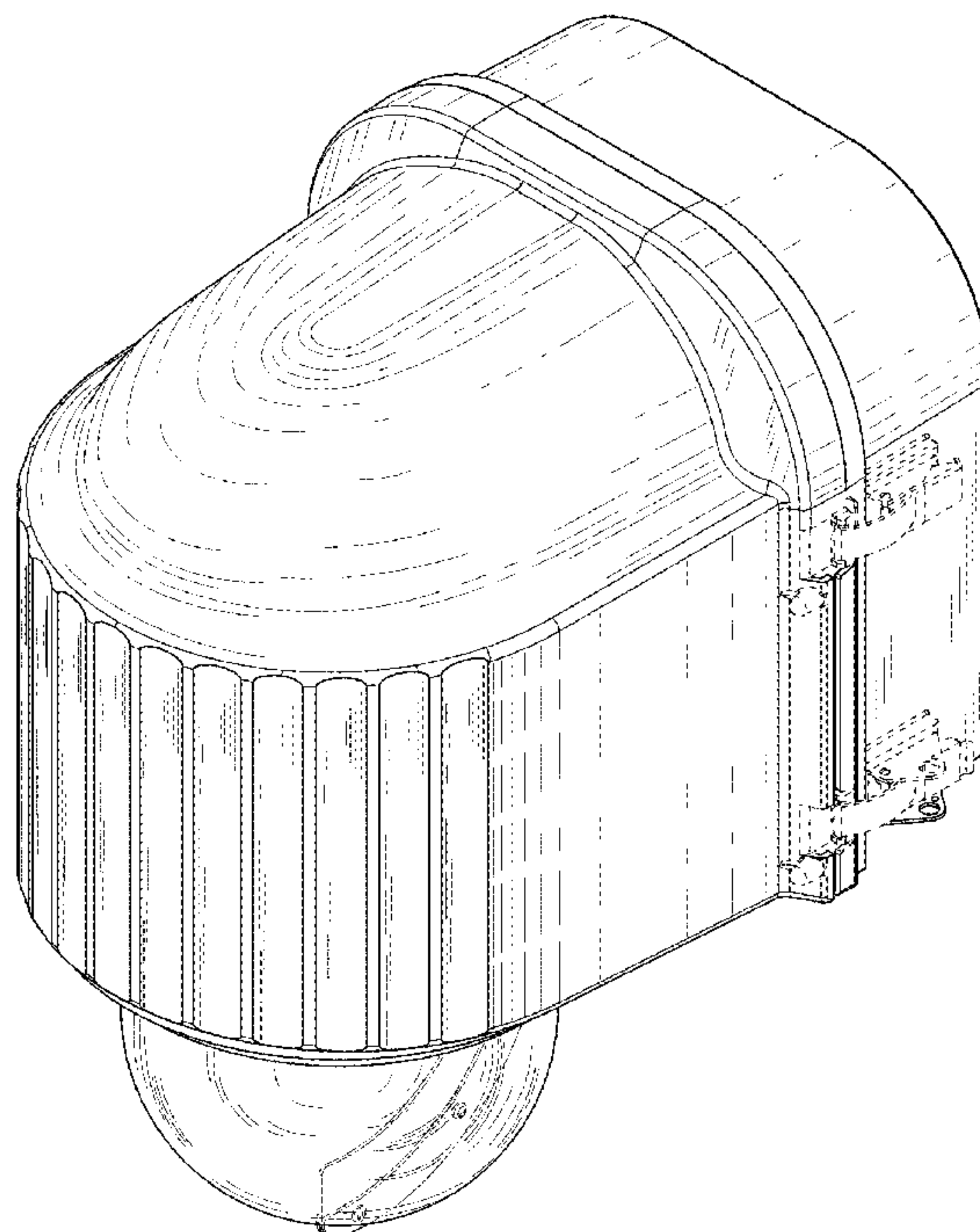
The ornamental design for a camera enclosure, as shown and described.

(58) **Field of Classification Search**
USPC D16/200, 202–208, 218, 219, 242;
348/143, 148, 151, 373–376; 396/419,
396/427, 535, 539–541
CPC G03B 17/02; G03B 19/04; G03B 17/56;
G03B 17/04; G03B 15/03; H04N 5/2251;
H04N 5/2252; H04N 5/2253; H04N 5/2254;
H04N 7/181; H04N 7/183; H04N 7/18;
G08B 13/1963; G08B 13/19619; G08B
13/19632; F16M 11/04; F16M 13/00
See application file for complete search history.

DESCRIPTION

FIG. 1 is a perspective view of a camera enclosure;
FIG. 2 is a front view thereof;
FIG. 3 is a rear view thereof;
FIG. 4 is a right view thereof;
FIG. 5 is a left view thereof;
FIG. 6 is a top view thereof; and,
FIG. 7 is a bottom view thereof.
The broken line showing hinges, pipes, and connectors is included for the purpose of illustrating environmental structure and forms no part of the claimed design.

1 Claim, 7 Drawing Sheets



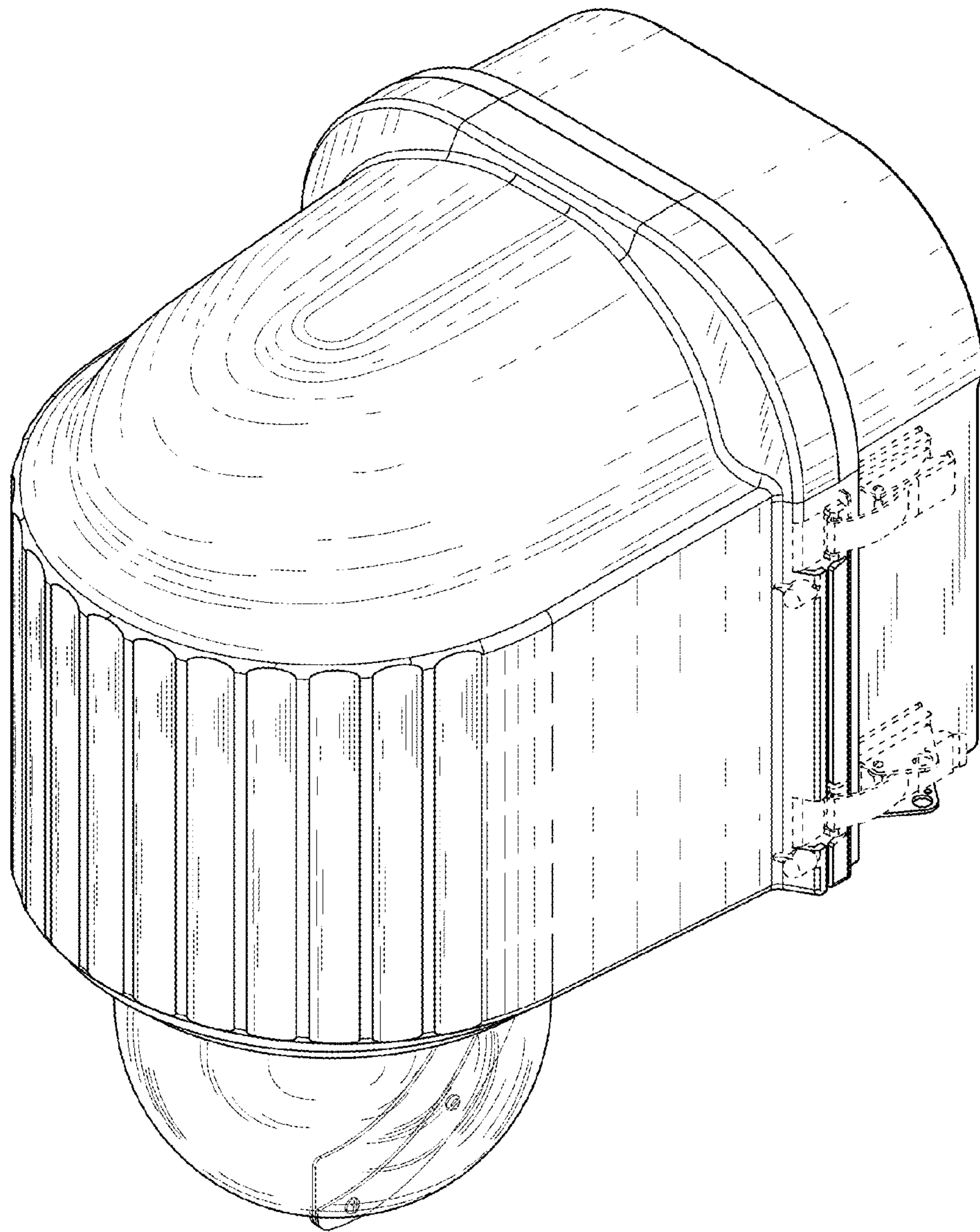


FIG. 1

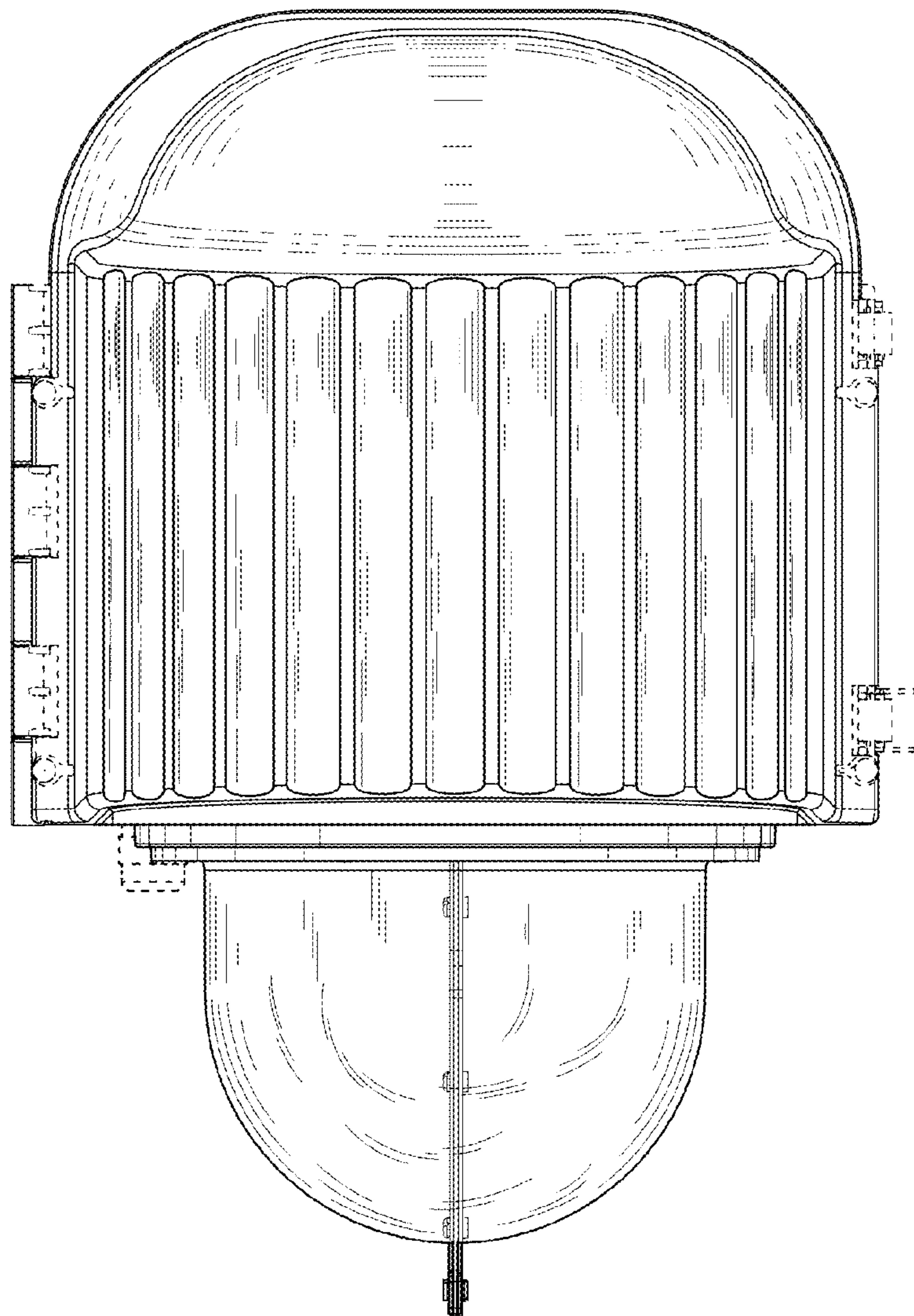


FIG. 2

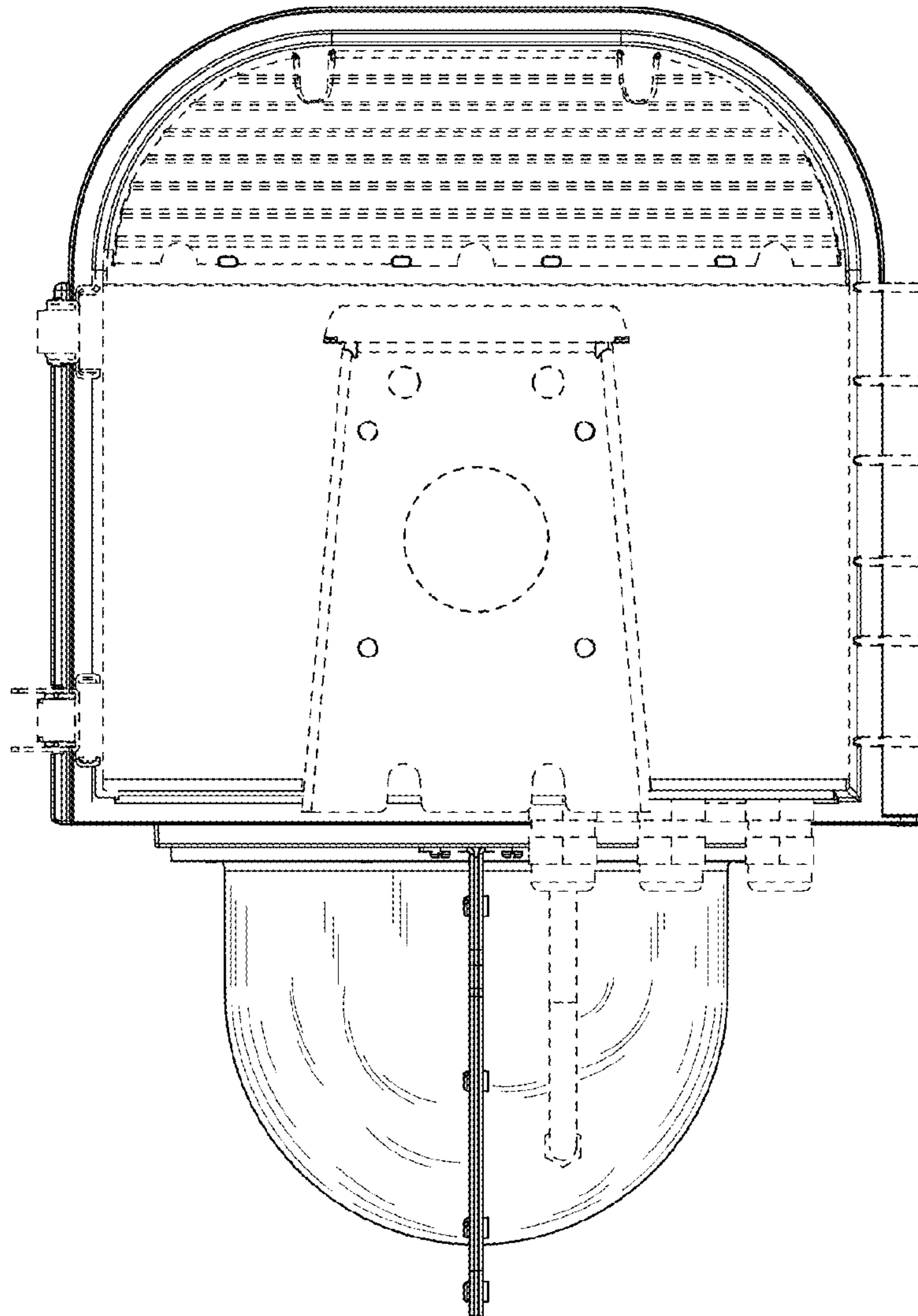


FIG. 3

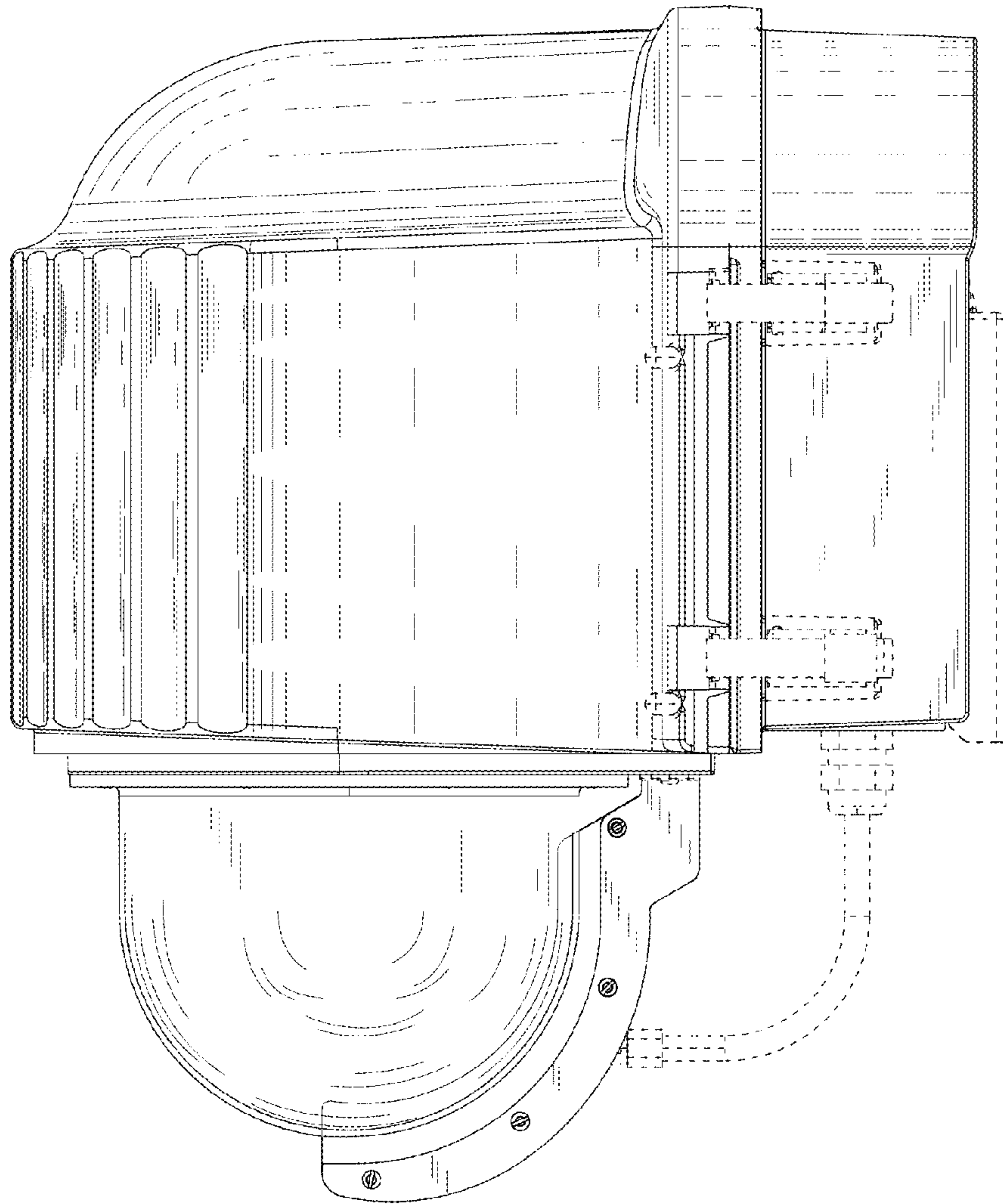


FIG. 4

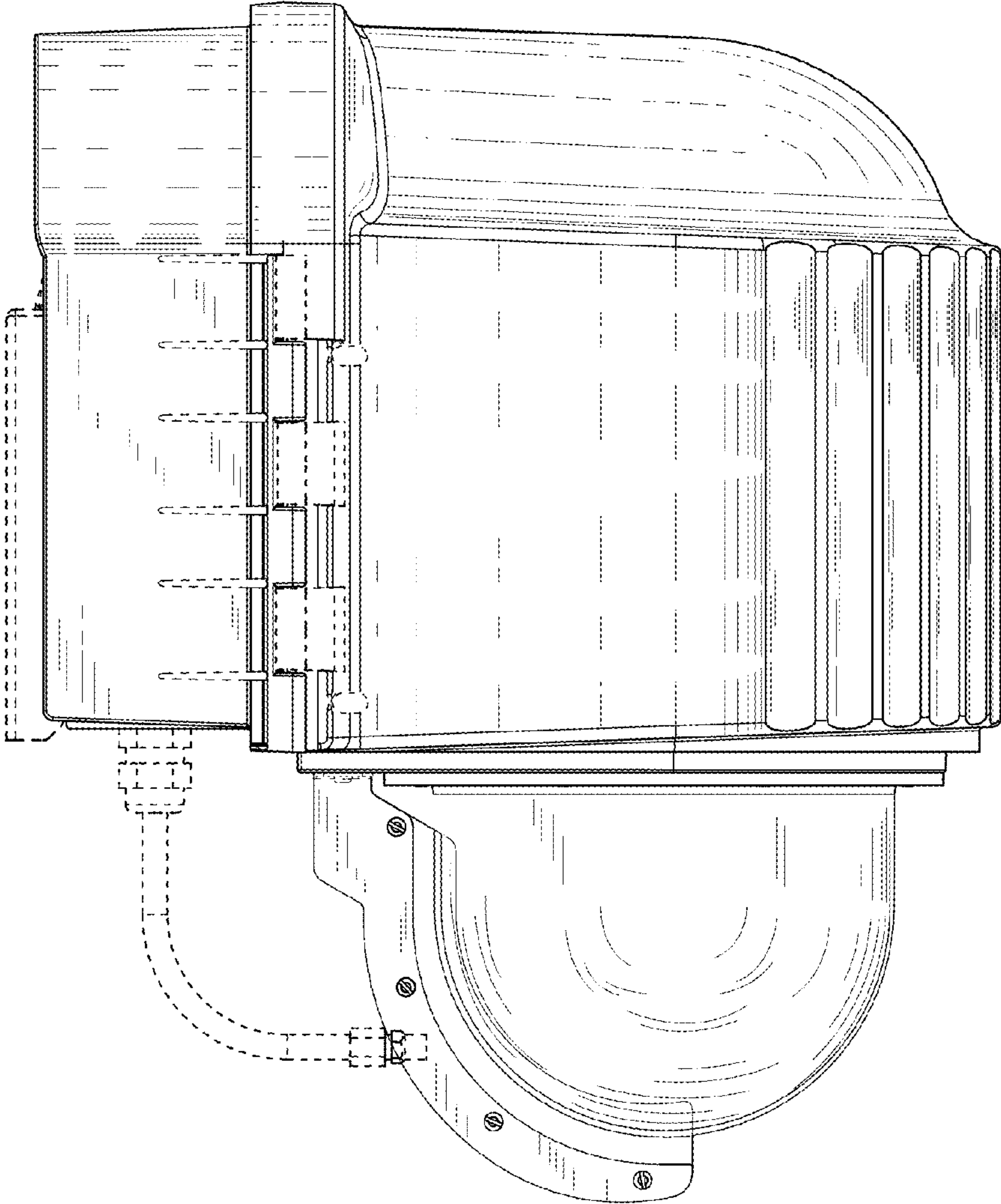


FIG. 5

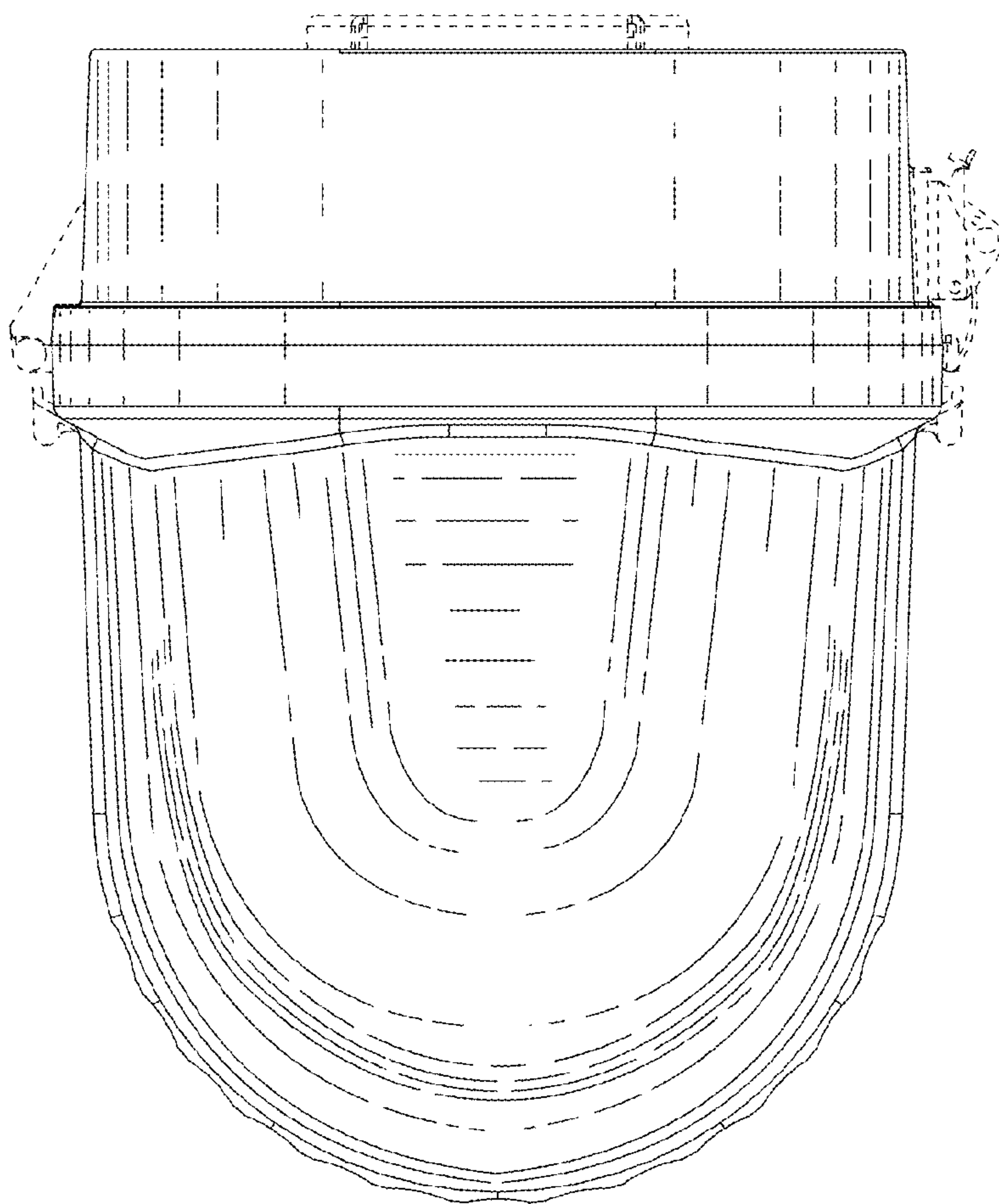


FIG. 6

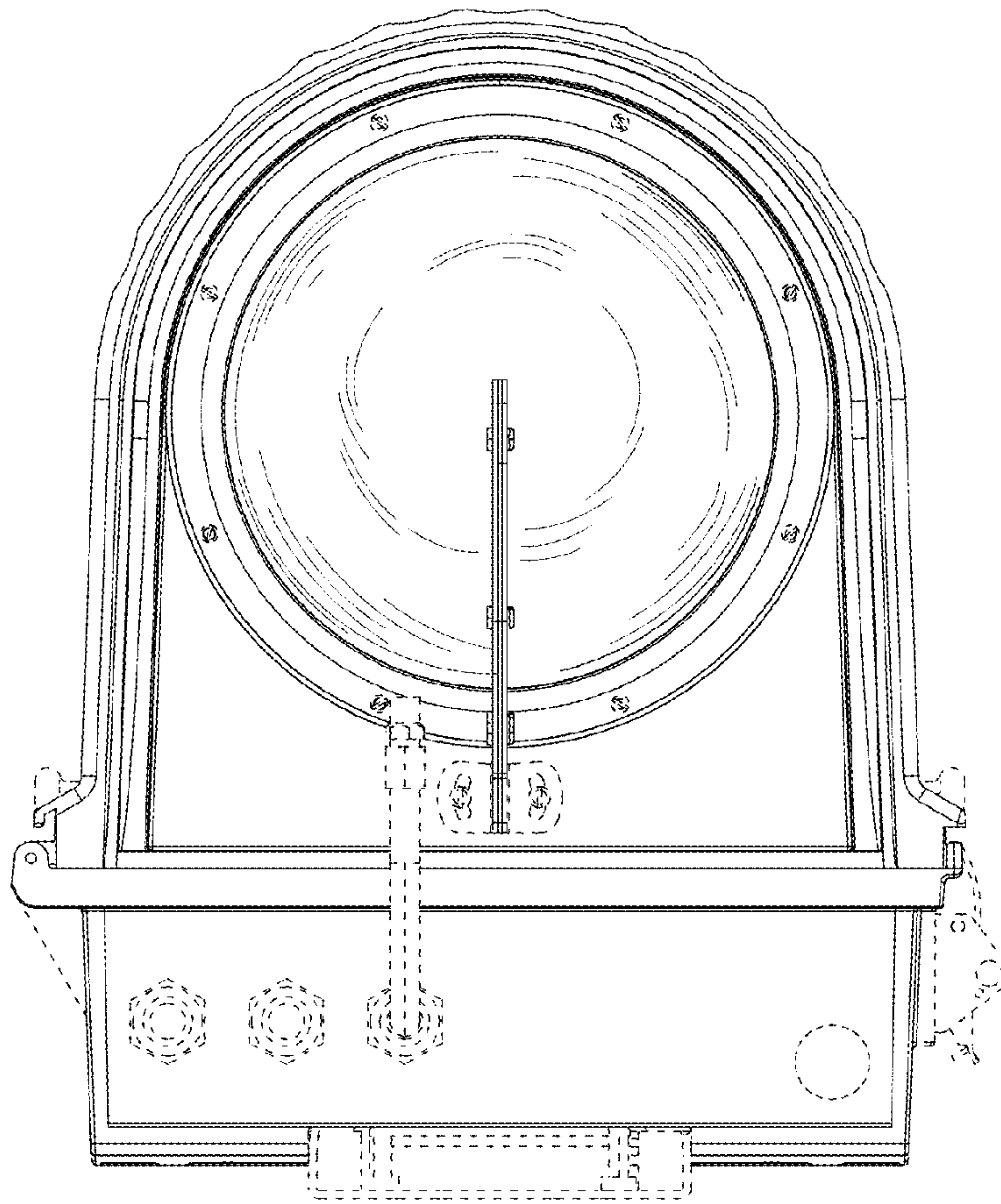


FIG. 7