



US00D744566S

(12) **United States Design Patent**  
**Matuschek et al.**

(10) **Patent No.:** **US D744,566 S**

(45) **Date of Patent:** **\*\* Dec. 1, 2015**

(54) **EQUIPMENT CARRIER FOR A SURGICAL MICROSCOPE**

F16M 2200/024; F16M 11/28; F16M 11/00;  
F16M 2200/02; F16M 11/20

See application file for complete search history.

(71) Applicant: **Carl Zeiss Meditec AG**, Jena (DE)

(56) **References Cited**

(72) Inventors: **Walter Matuschek**, Aalen (DE);  
**Graham Keevy**, Aalen (DE); **Christian Siegel**, Aalen (DE)

U.S. PATENT DOCUMENTS

(73) Assignee: **Carl Zeiss Meditec AG**, Jena (DE)

D289,410	S	*	4/1987	Feinbloom et al.	.....	D16/131
D290,128	S	*	6/1987	Kahute	.....	D16/131
D362,454	S	*	9/1995	Cipolla et al.	.....	D16/246
5,629,498	A	*	5/1997	Pollock et al.	.....	177/15
5,662,130	A	*	9/1997	Wiltshire	.....	132/323
2009/0236248	A1	*	9/2009	Uehata	.....	206/363

(\*\*) Term: **14 Years**

\* cited by examiner

(21) Appl. No.: **29/486,265**

*Primary Examiner* — Derrick Holland

(22) Filed: **Mar. 27, 2014**

*Assistant Examiner* — Lauren Calve

(30) **Foreign Application Priority Data**

(74) *Attorney, Agent, or Firm* — Walter Ottesen P.A.

Sep. 27, 2013 (EP) ..... 001385298-0002

(57) **CLAIM**

(51) **LOC (10) Cl.** ..... **06-06**

The ornamental design for an equipment carrier for a surgical microscope, as shown and described.

(52) **U.S. Cl.**

**DESCRIPTION**

USPC ..... **D16/131**

(58) **Field of Classification Search**

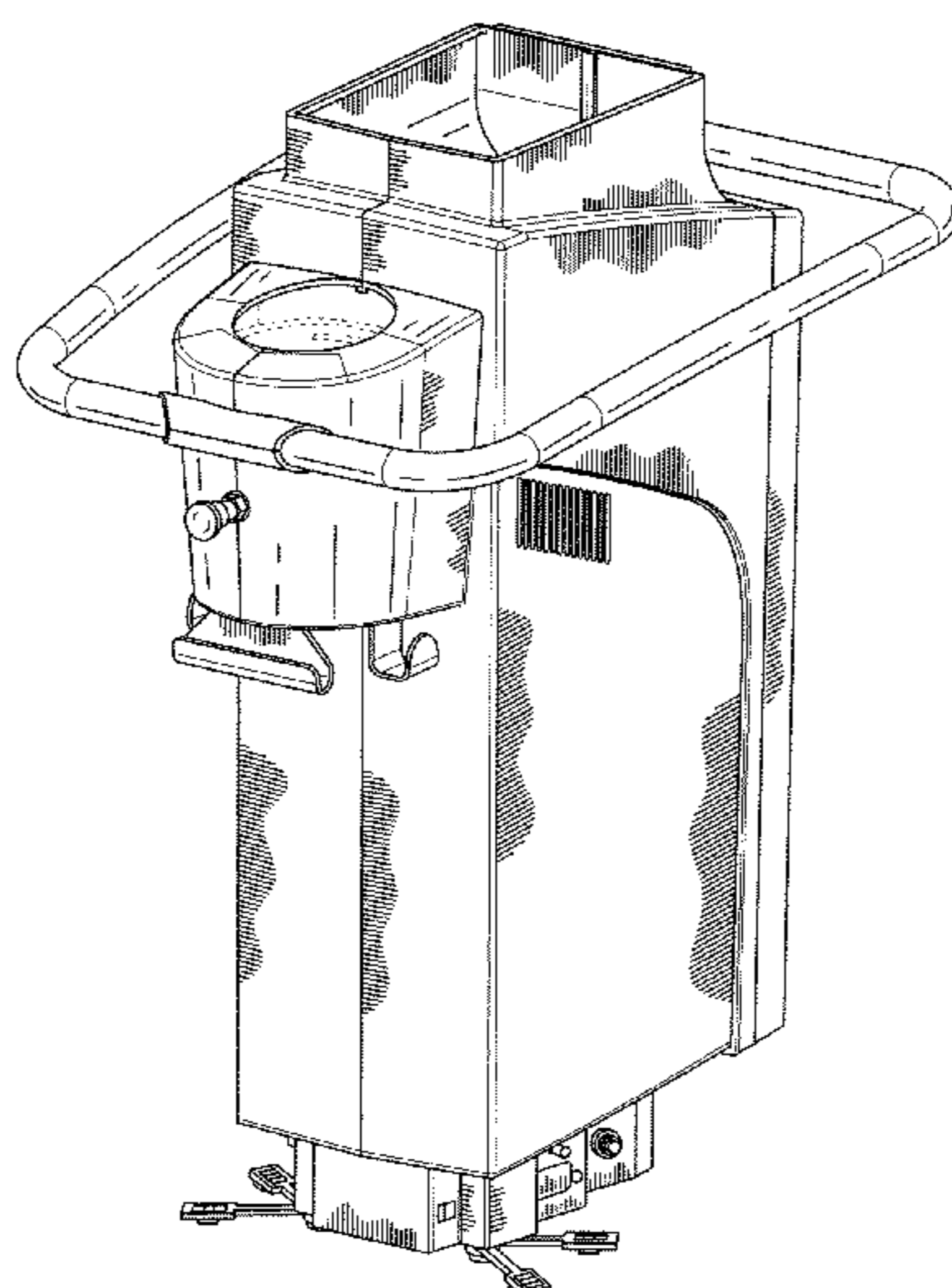
USPC ..... D16/130, 131, 246; 359/368, 370, 381,  
359/382, 384, 386, 824; 248/122.1, 123.11,  
248/274.1, 280.11, 331; 211/85.13;  
206/363-370

CPC ..... G02B 7/023; G02B 21/06; G02B 21/24;  
G02B 21/16; G02B 7/04; G02B 21/0012;  
G02B 21/002; G02B 7/001; G02B 21/26;  
G02B 21/365; G02B 21/241; G02B 21/14;  
G02B 21/00; G02B 21/082; G02B 21/008;  
G02B 21/0088; G02B 21/0024; G02B  
21/0016; G02B 27/62; G02B 21/0044; G02B  
21/0004; G02B 21/34; G02B 7/1824; G02B  
7/004; G02B 21/362; G02B 25/005; G02B  
21/025; G02B 3/00; G02B 13/009; G02B  
21/20; G02B 21/0092; G02B 27/025; A61B  
19/5223; F16M 11/04; F16M 13/02; F16M  
2200/044; F16M 13/00; F16M 11/18; F16M  
11/041; F16M 2200/08; F16M 2200/065;

FIG. 1 is a perspective view of an equipment carrier for a surgical microscope of our new design;  
FIG. 2 is a front elevation view of the equipment carrier for a surgical microscope of FIG. 1;  
FIG. 3 is a rear elevation view of the equipment carrier for a surgical microscope of FIG. 1;  
FIG. 4 is a right side elevation view of the equipment carrier for a surgical microscope of FIG. 1;  
FIG. 5 is a left side elevation view of the equipment carrier for a surgical microscope of FIG. 1;  
FIG. 6 is a top plan view of the equipment carrier for a surgical microscope of FIG. 1; and,  
FIG. 7 is a bottom plan view of the equipment carrier for a surgical microscope of FIG. 1.

The broken lines represent unclaimed subject matter and form no part of the claimed design.

**1 Claim, 7 Drawing Sheets**



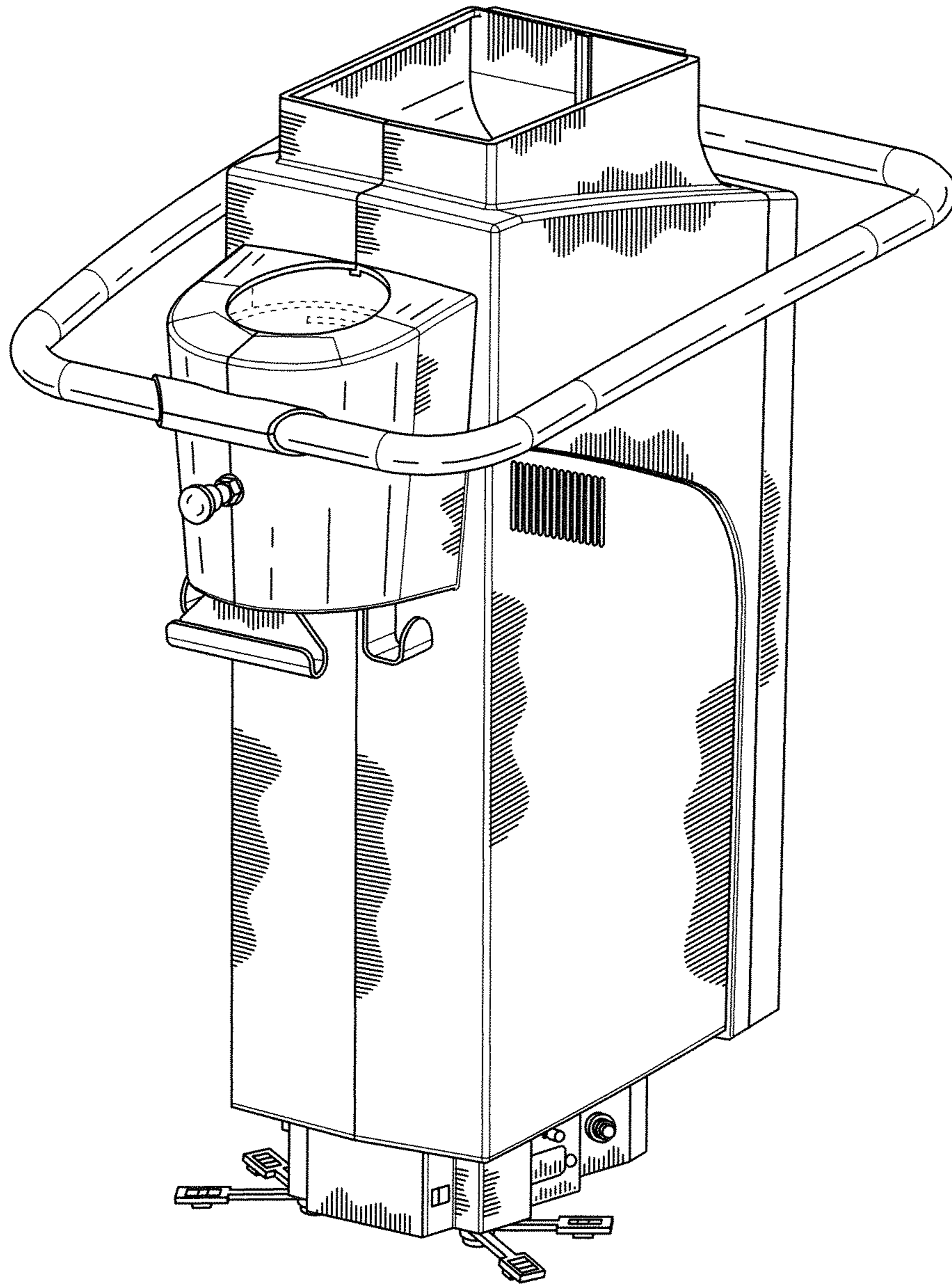


FIG. 1

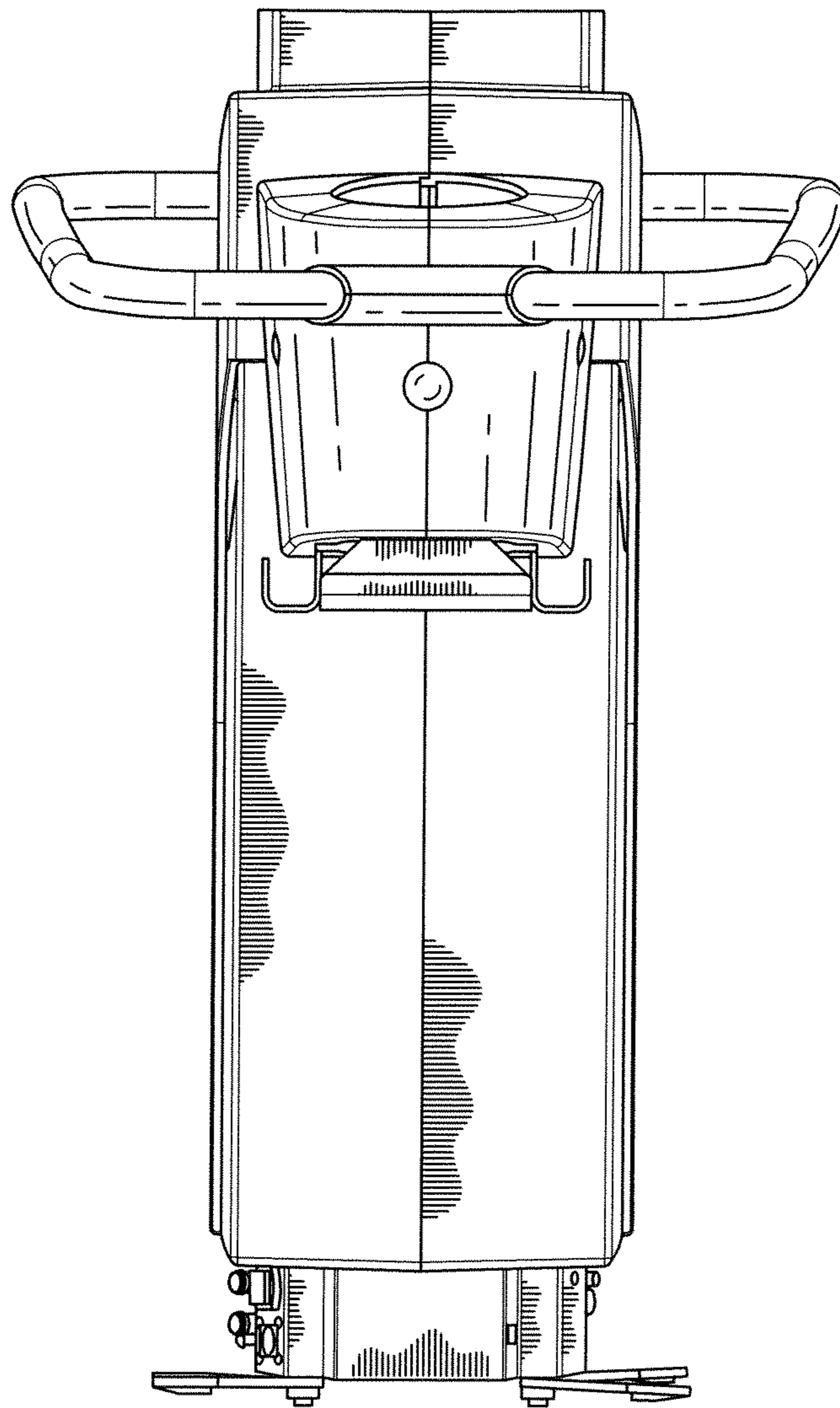


FIG. 2

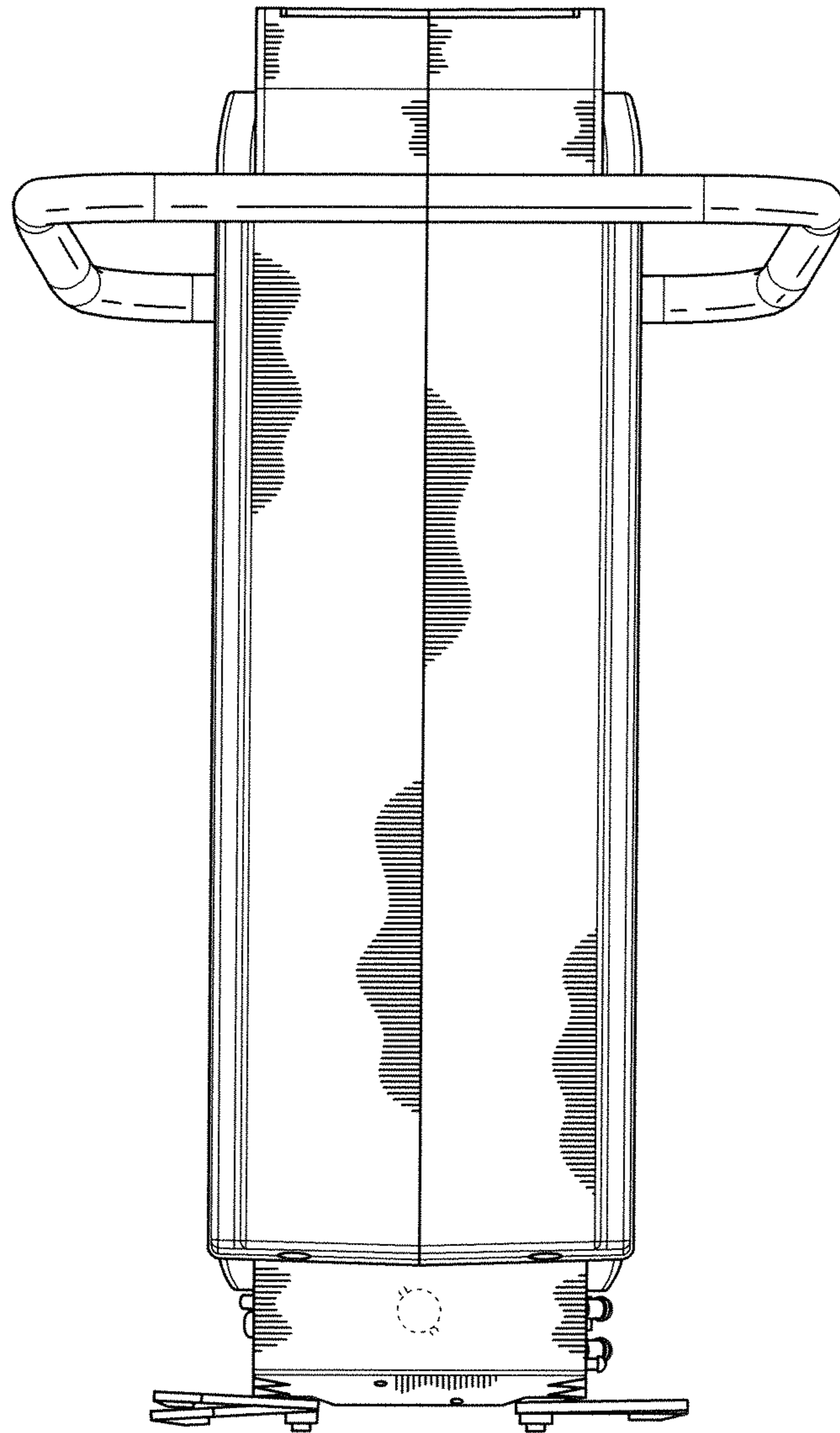


FIG. 3

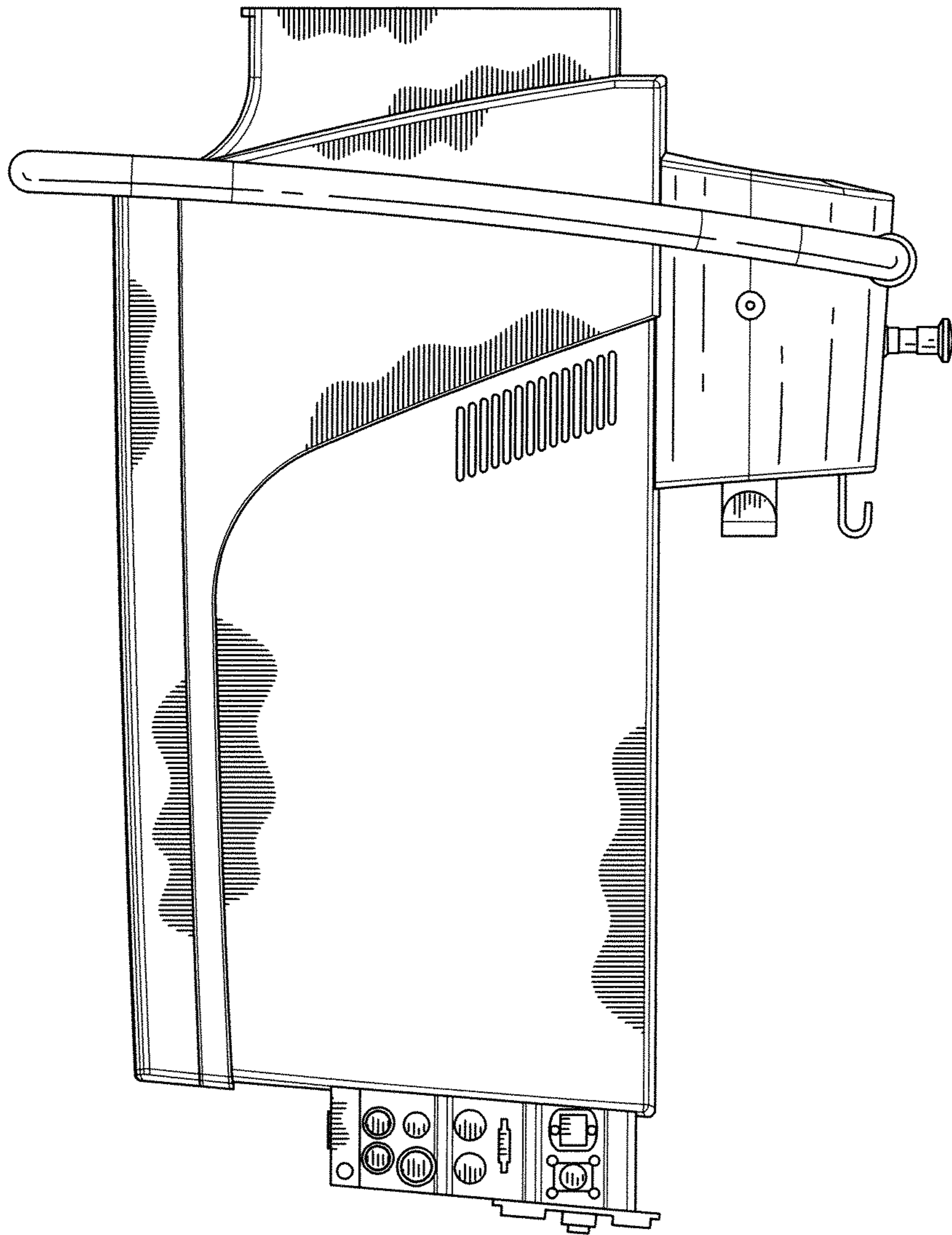


FIG. 4

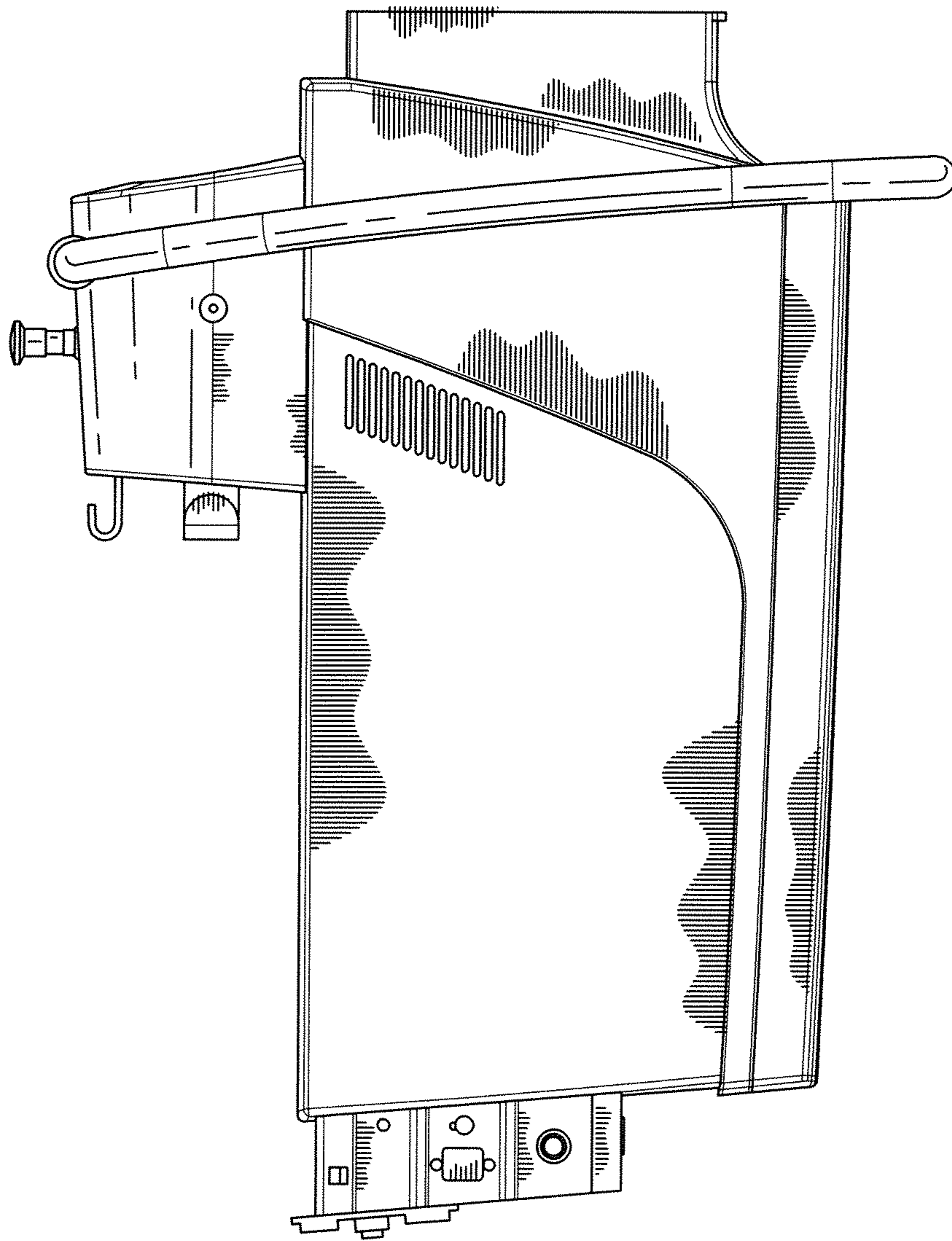


FIG. 5

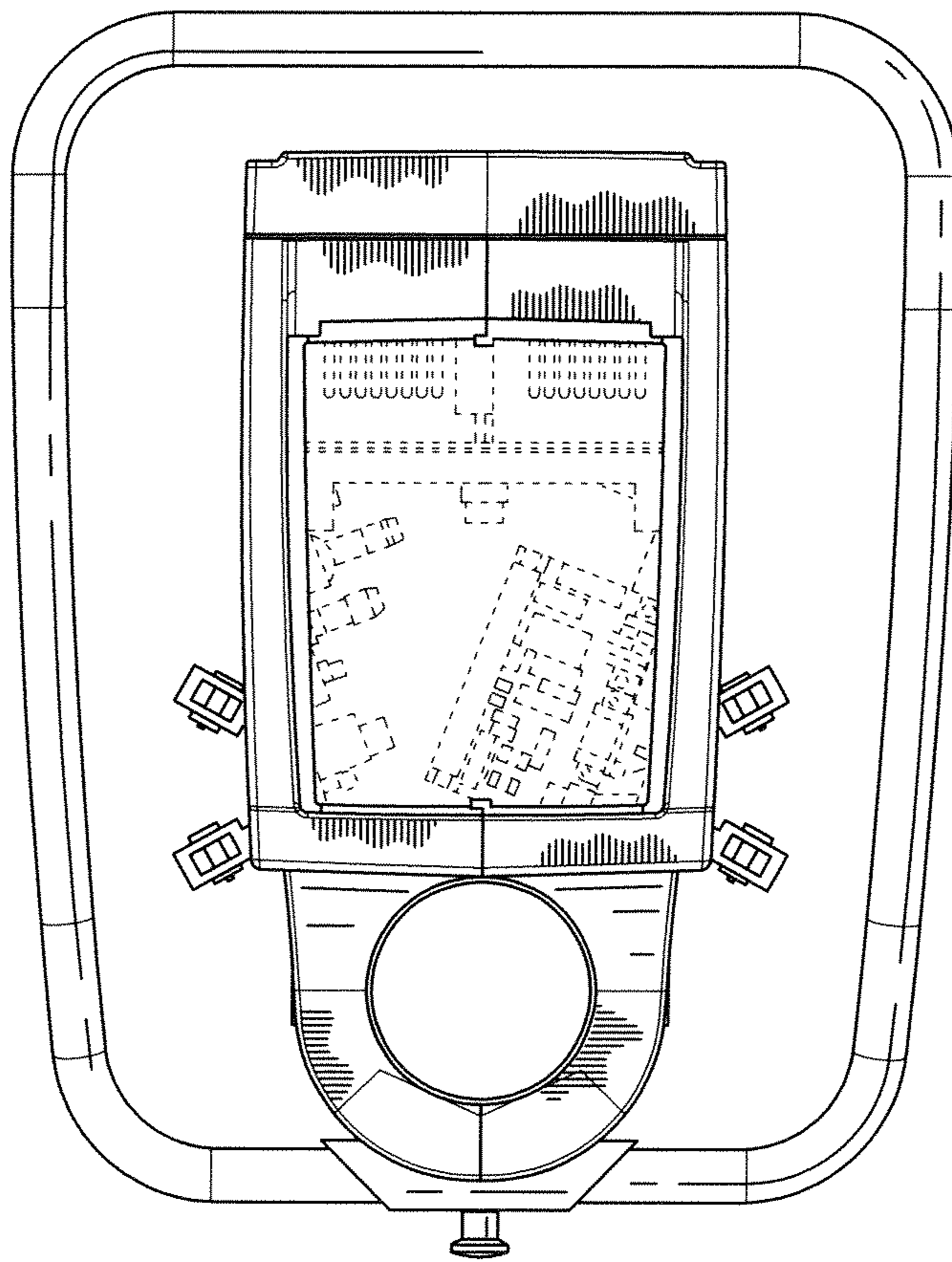


FIG. 6

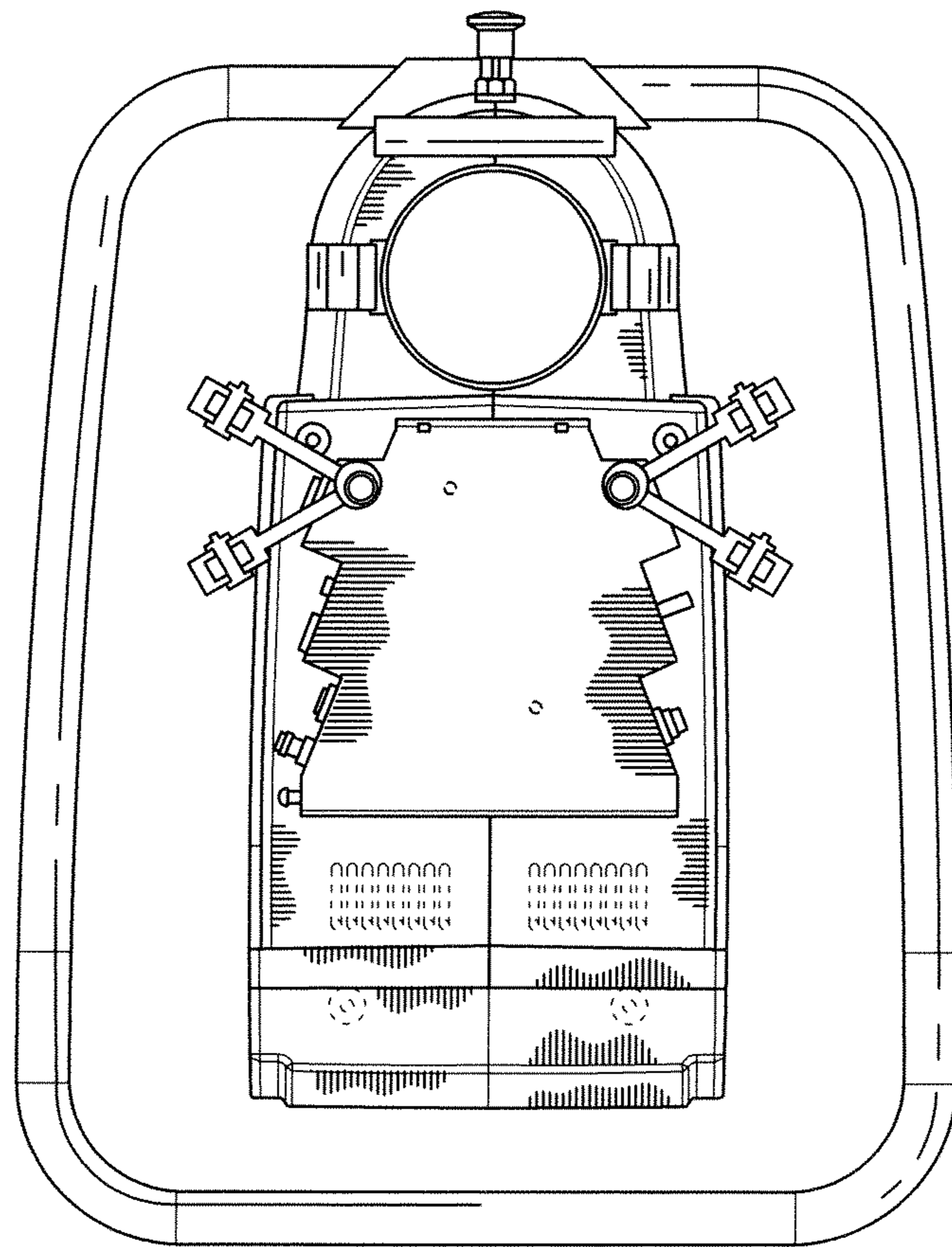


FIG. 7