



US00D744563S

(12) **United States Design Patent**  
**Hassan et al.**

(10) **Patent No.:** **US D744,563 S**  
(45) **Date of Patent:** **\*\* Dec. 1, 2015**

(54) **TWO-PIECE NOZZLE ASSEMBLY BASE COMPONENT**

(71) Applicant: **Victor Equipment Company**, Denton, TX (US)

(72) Inventors: **Khalid Hassan**, Denton, TX (US);  
**Glenn K. Redding**, Flower Mound, TX (US)

(73) Assignee: **Victor Equipment Company**, Denton, TX (US)

(\*\*) Term: **14 Years**

(21) Appl. No.: **29/503,027**

(22) Filed: **Sep. 22, 2014**

(51) **LOC (10) Cl.** ..... **15-09**

(52) **U.S. Cl.**  
USPC ..... **D15/144**

(58) **Field of Classification Search**  
USPC ..... D15/138-144.2, 21, 123; 299/104-111;  
241/207; 219/137.31, 137.42-137.44,  
219/137.61-137.63, 74, 75; D8/70;  
D23/223, 213; 239/419, 424.5, 549  
See application file for complete search history.

(56) **References Cited**

**U.S. PATENT DOCUMENTS**

2,514,777 A \* 7/1950 Marra ..... 239/424.5  
2,727,126 A \* 12/1955 Guest et al. .... 219/75  
D225,185 S \* 11/1972 Kittner ..... D23/213  
D231,928 S \* 6/1974 Nelson ..... D23/213

4,158,763 A \* 6/1979 Moerke ..... 219/137.42  
D281,349 S \* 11/1985 Goldish ..... D23/223  
5,045,665 A \* 9/1991 Sarkissian ..... 219/75  
D371,426 S \* 7/1996 Darin ..... D23/213  
D459,785 S \* 7/2002 Chih ..... D23/213  
6,892,963 B1 \* 5/2005 Scarpa et al. .... 239/424.5  
D542,815 S \* 5/2007 Concari et al. .... D15/140  
D565,697 S \* 4/2008 Thiel et al. .... D23/213  
D589,319 S \* 3/2009 Peters ..... D8/70  
D594,306 S \* 6/2009 Decker ..... D8/70  
8,552,341 B2 \* 10/2013 Zamuner ..... 219/137.31  
D703,713 S \* 4/2014 Frazier ..... D15/139  
D717,626 S \* 11/2014 Dickrede ..... D8/70

\* cited by examiner

*Primary Examiner* — Susan Bennett Hattan

*Assistant Examiner* — Brett Miller

(74) *Attorney, Agent, or Firm* — Kacvinsky Daisak Bluni PLLC

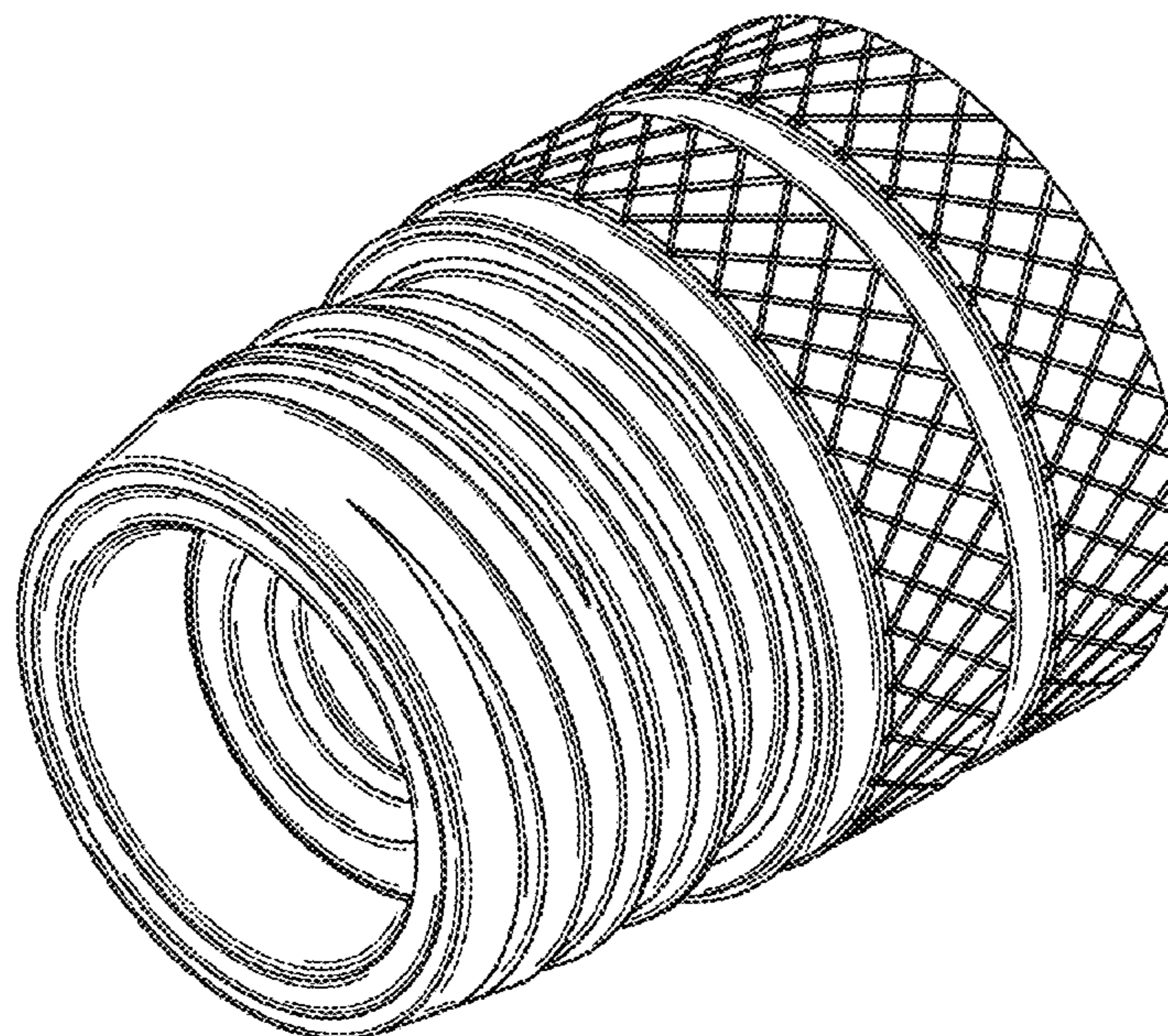
(57) **CLAIM**

The ornamental design for a two-piece nozzle assembly base component, as shown and described.

**DESCRIPTION**

FIG. 1 is a front perspective view of the two-piece nozzle assembly base component;  
FIG. 2 is a rear perspective view thereof;  
FIG. 3 is a left side view thereof;  
FIG. 4 is a right side view thereof;  
FIG. 5 is a top view thereof;  
FIG. 6 is a bottom view thereof;  
FIG. 7 is a rear view thereof; and,  
FIG. 8 is a front view thereof.

**1 Claim, 8 Drawing Sheets**



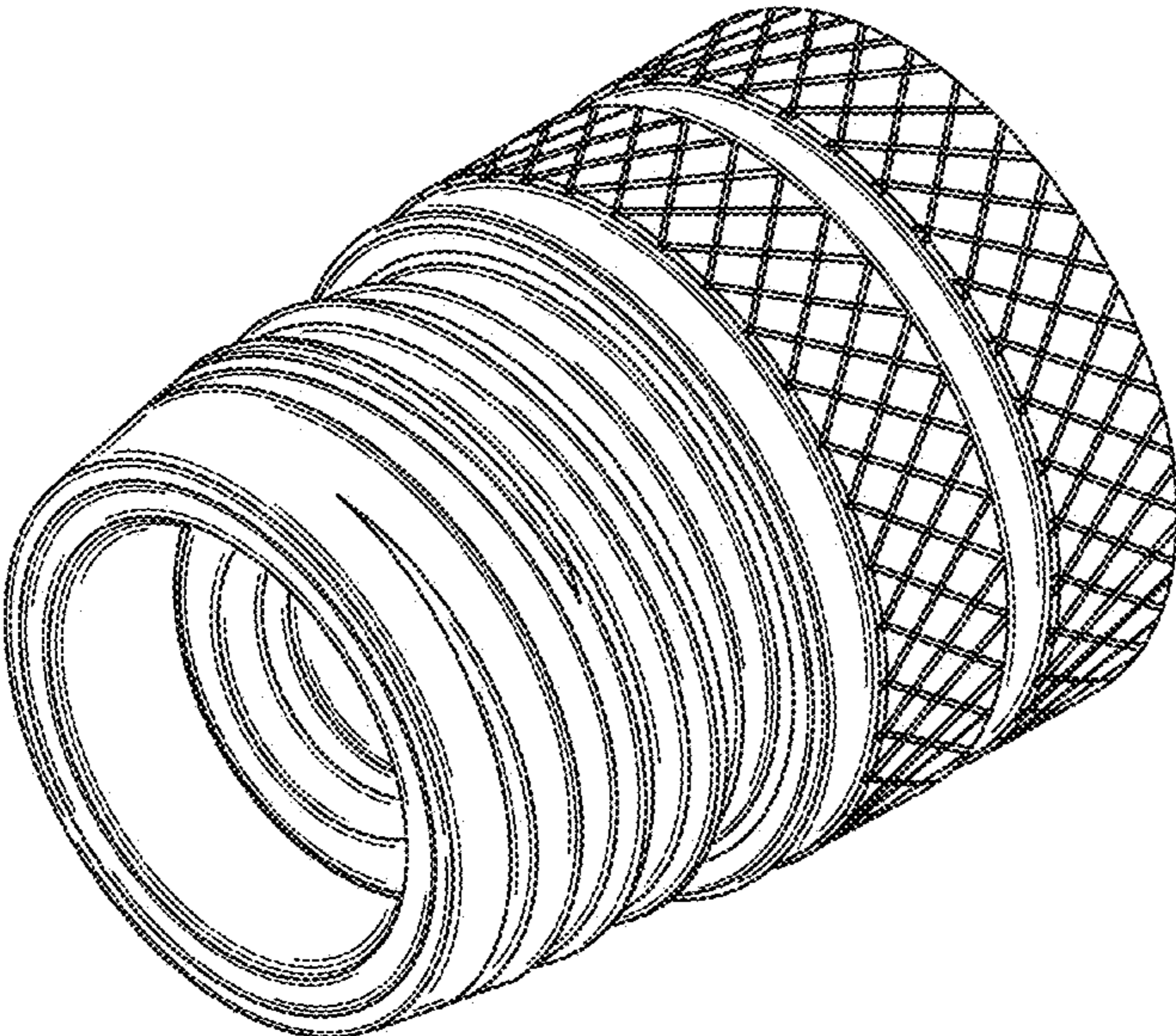


FIG. 1

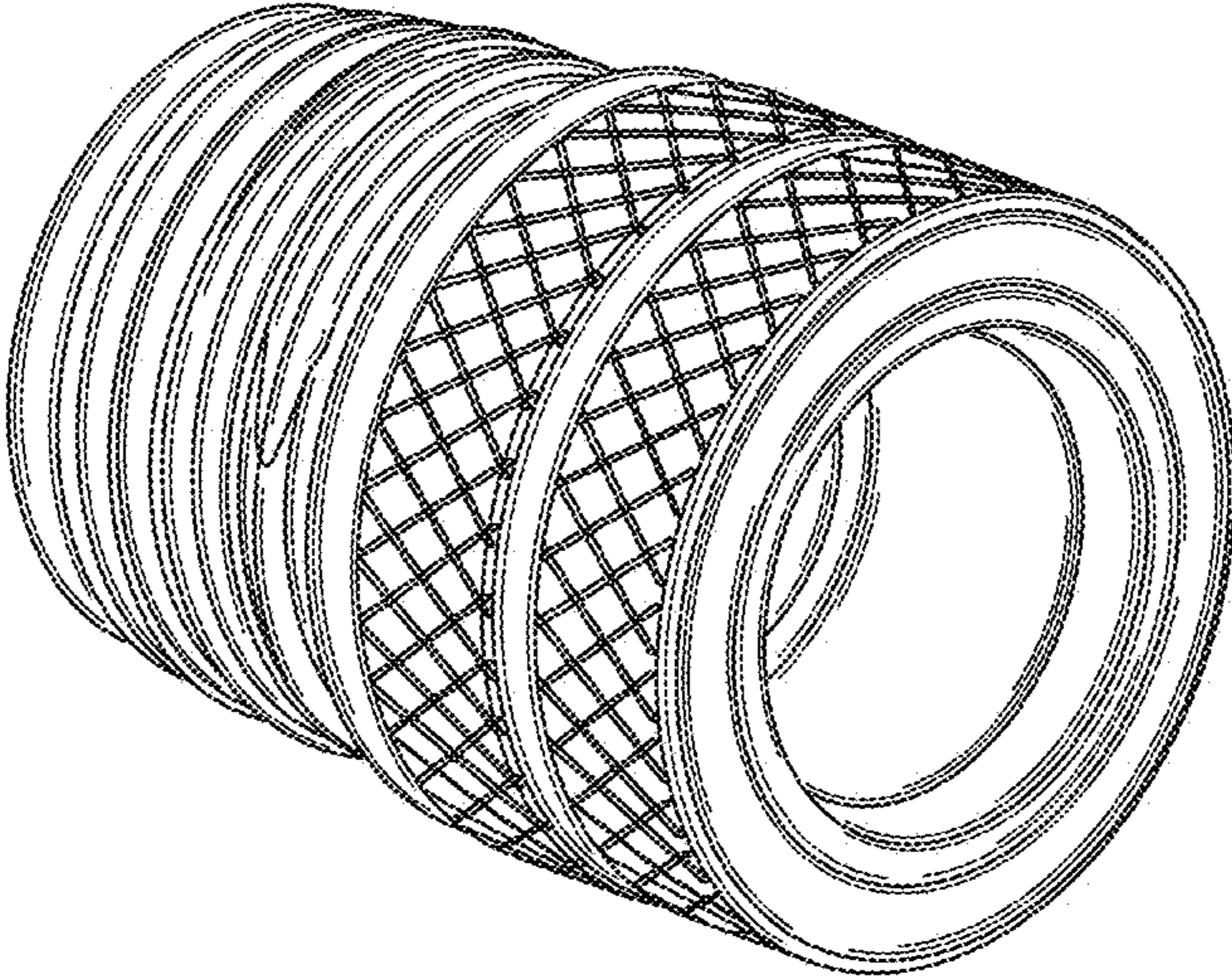


FIG. 2

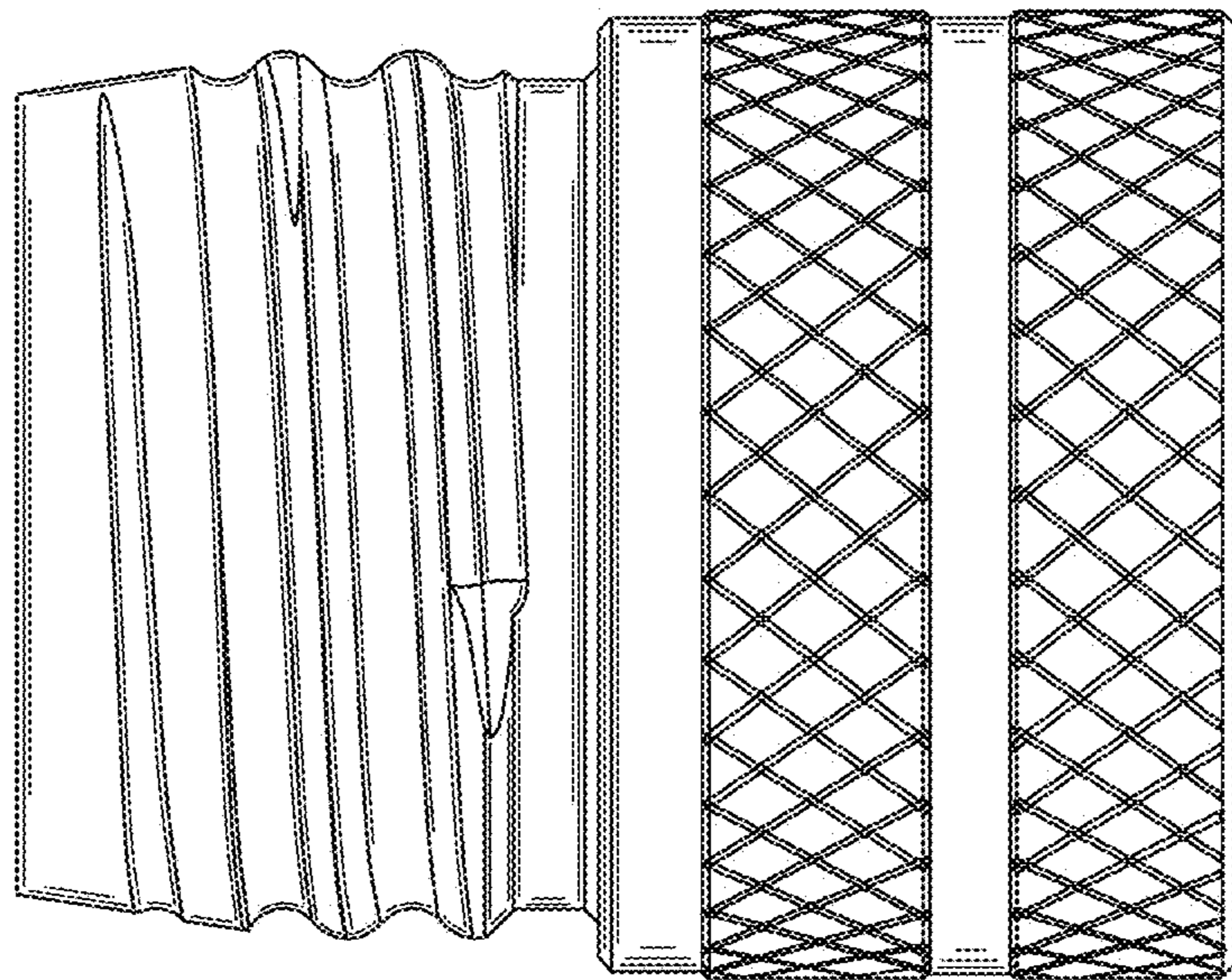


FIG. 3

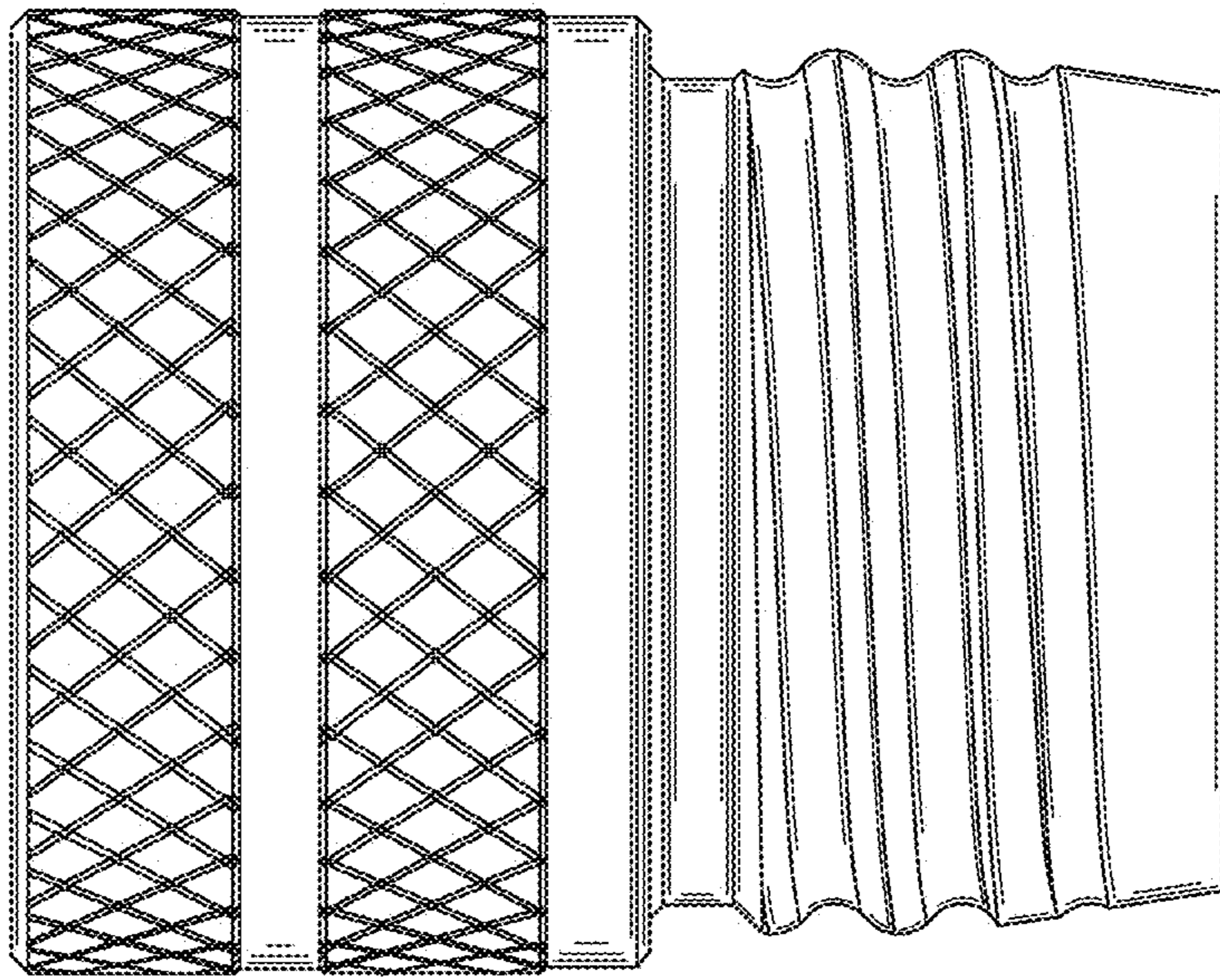


FIG. 4

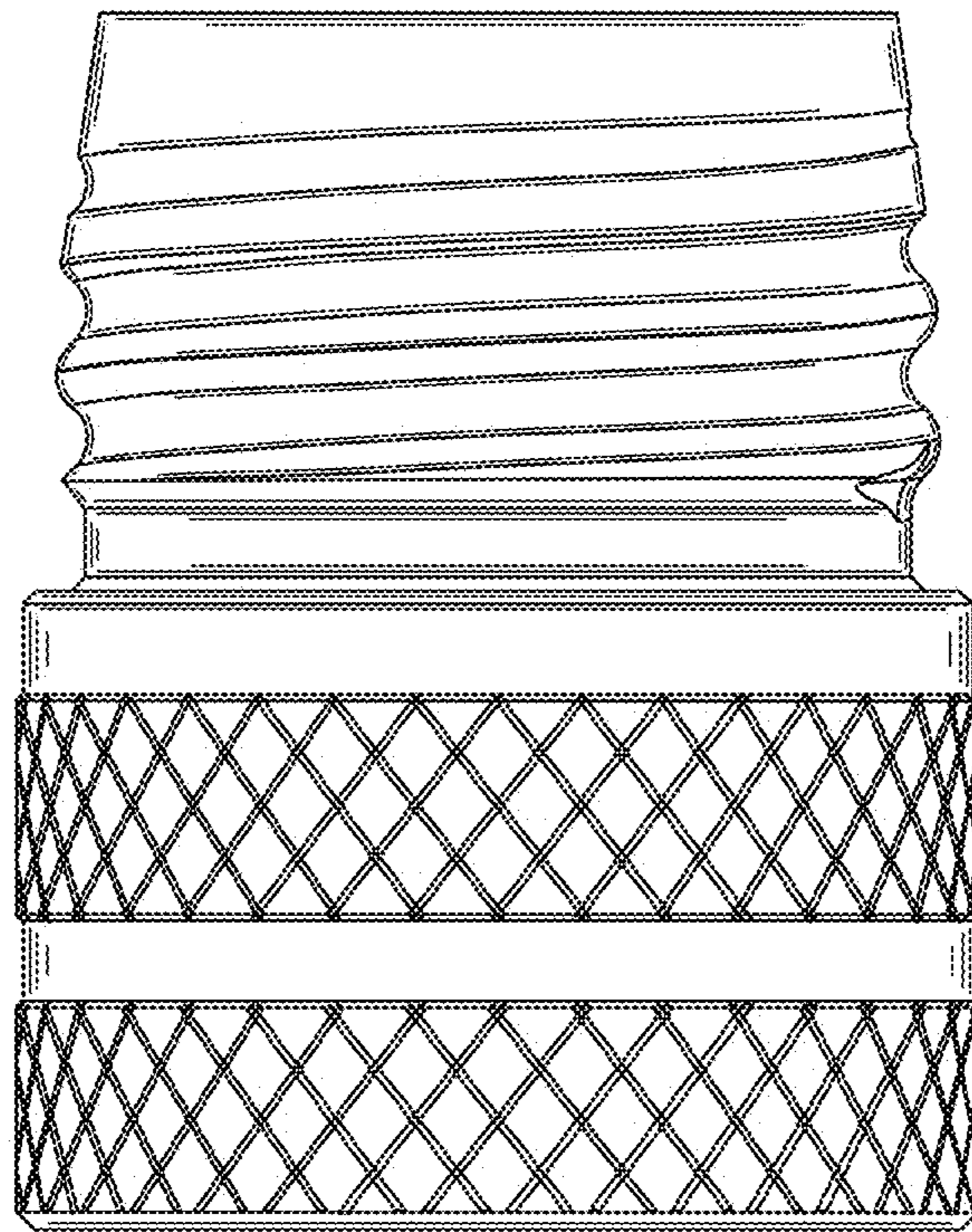


FIG. 5

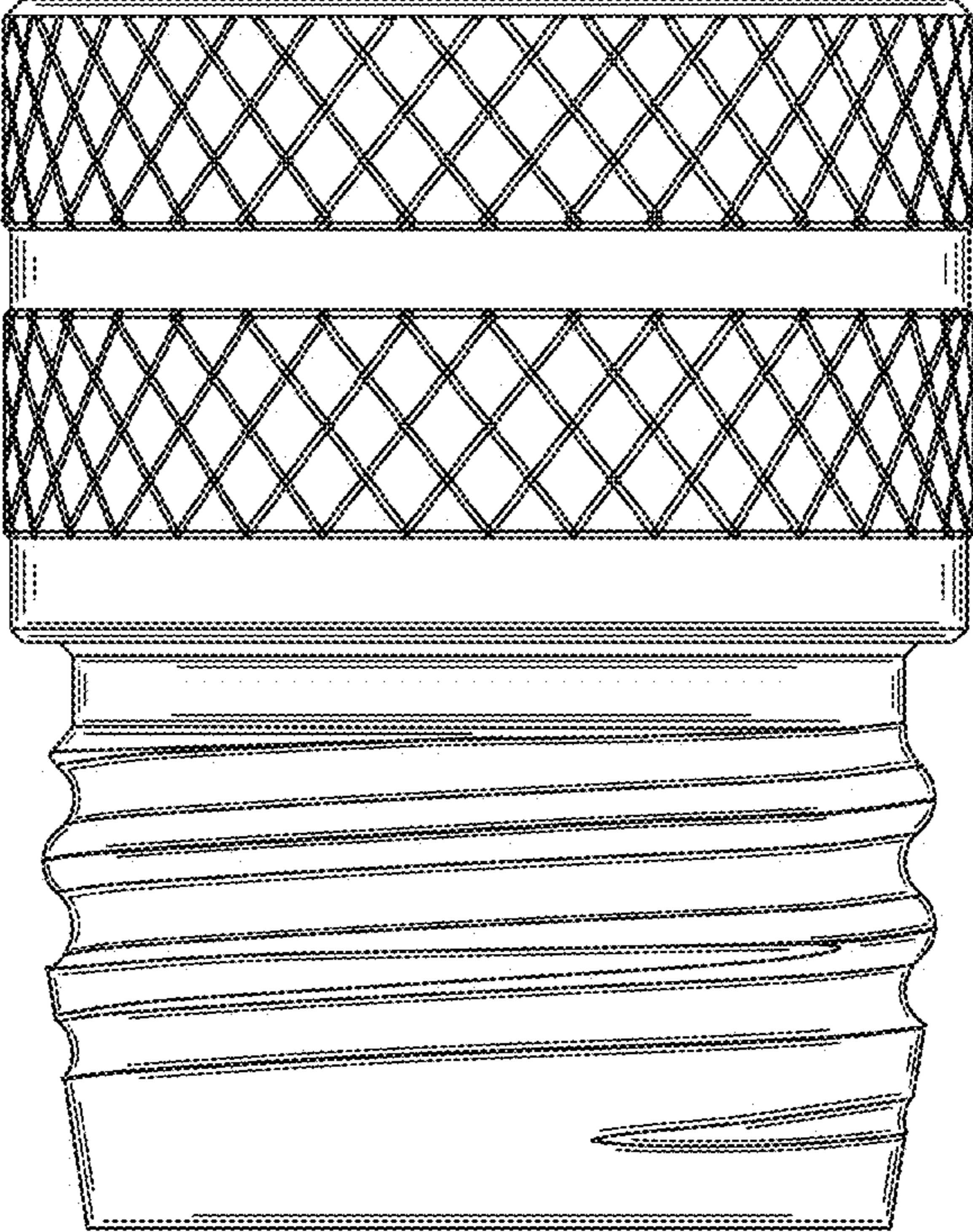


FIG. 6

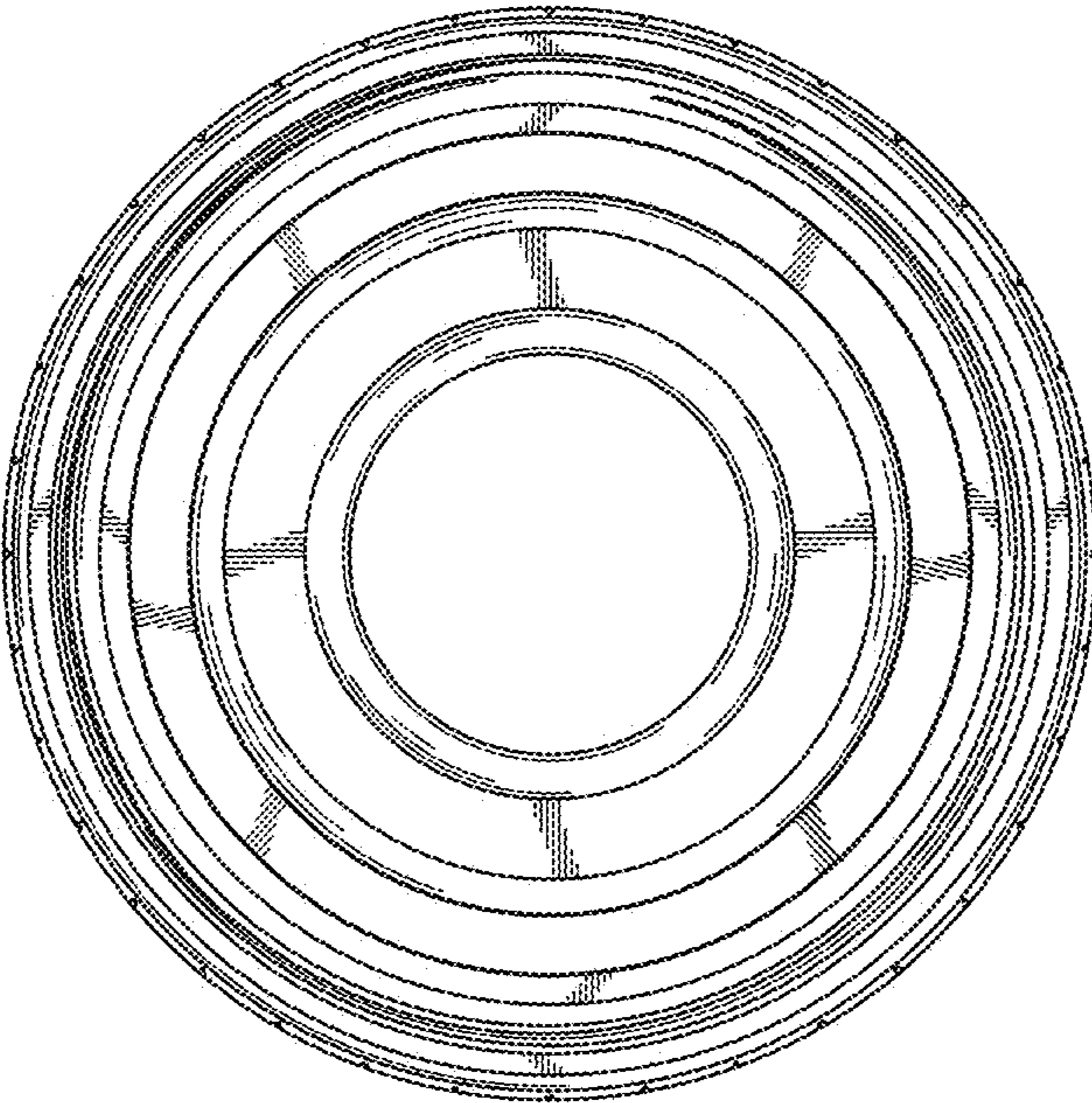


FIG. 7



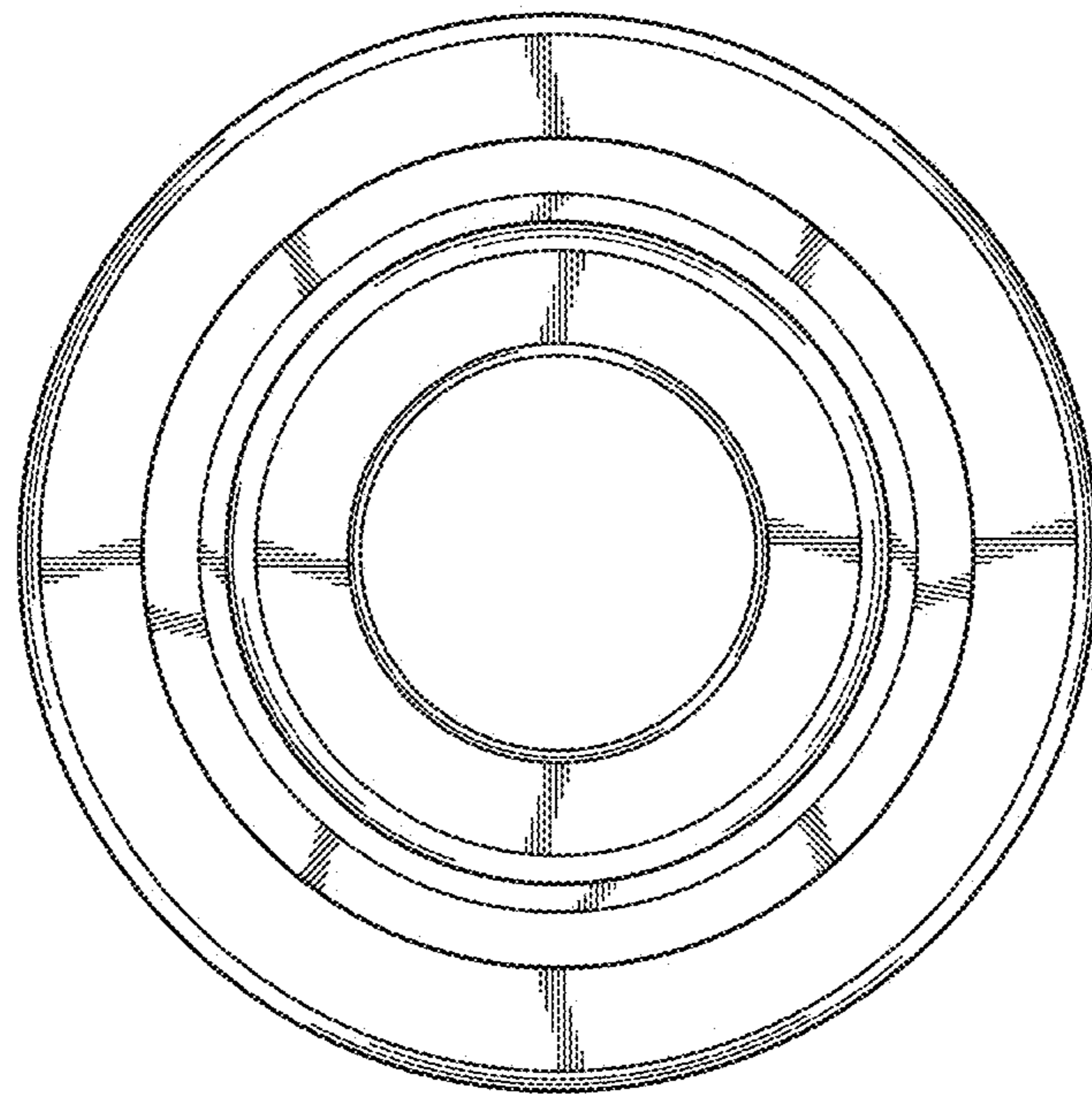


FIG. 8