



US00D744561S

(12) **United States Design Patent**
Hassan et al.

(10) **Patent No.:** **US D744,561 S**

(45) **Date of Patent:** **** Dec. 1, 2015**

- (54) **TAPERED NOZZLE ASSEMBLY**
- (71) Applicant: **Victor Equipment Company**, Denton, TX (US)
- (72) Inventors: **Khalid Hassan**, Denton, TX (US); **Glenn Redding**, Flower Mound, TX (US); **Ross Fleischmann**, Denton, TX (US)
- (73) Assignee: **Victor Equipment Company**, Denton, TX (US)

D225,185	S	*	11/1972	Kittner	D23/213
D231,928	S	*	6/1974	Nelson	D23/213
4,158,763	A	*	6/1979	Moerke	219/137.42
D281,349	S	*	11/1985	Goldish	D23/223
5,045,665	A	*	9/1991	Sarkissian	219/75
D371,426	S	*	7/1996	Darin	D23/213
D459,785	S	*	7/2002	Chih	D23/213
6,892,963	B1	*	5/2005	Scarpa et al.	239/424.5
D542,815	S	*	5/2007	Concari et al.	D15/140
D565,697	S	*	4/2008	Thiel et al.	D23/213
D589,319	S	*	3/2009	Peters	D8/70
D594,306	S	*	6/2009	Decker	D8/70
8,552,341	B2	*	10/2013	Zamuner	219/137.31
D703,713	S	*	4/2014	Frazier	D15/139
D717,626	S	*	11/2014	Dickrede	D8/70

(**) Term: **14 Years**

* cited by examiner

(21) Appl. No.: **29/503,024**

Primary Examiner — Susan Bennett Hattan

(22) Filed: **Sep. 22, 2014**

Assistant Examiner — Brett Miller

(51) **LOC (10) Cl.** **15-09**

(74) *Attorney, Agent, or Firm* — Kacvinsky Daisak Bluni PLLC

(52) **U.S. Cl.**
USPC **D15/144**

(58) **Field of Classification Search**
USPC D15/138–144.2, 21, 123; 299/104–111; 241/207; 219/137.31, 137.42–137.44, 219/137.61–137.63, 74, 75; D8/70; D23/223, 213; 239/419, 424.5, 549
See application file for complete search history.

(57) **CLAIM**
The ornamental design for a tapered nozzle assembly, as shown and described.

DESCRIPTION

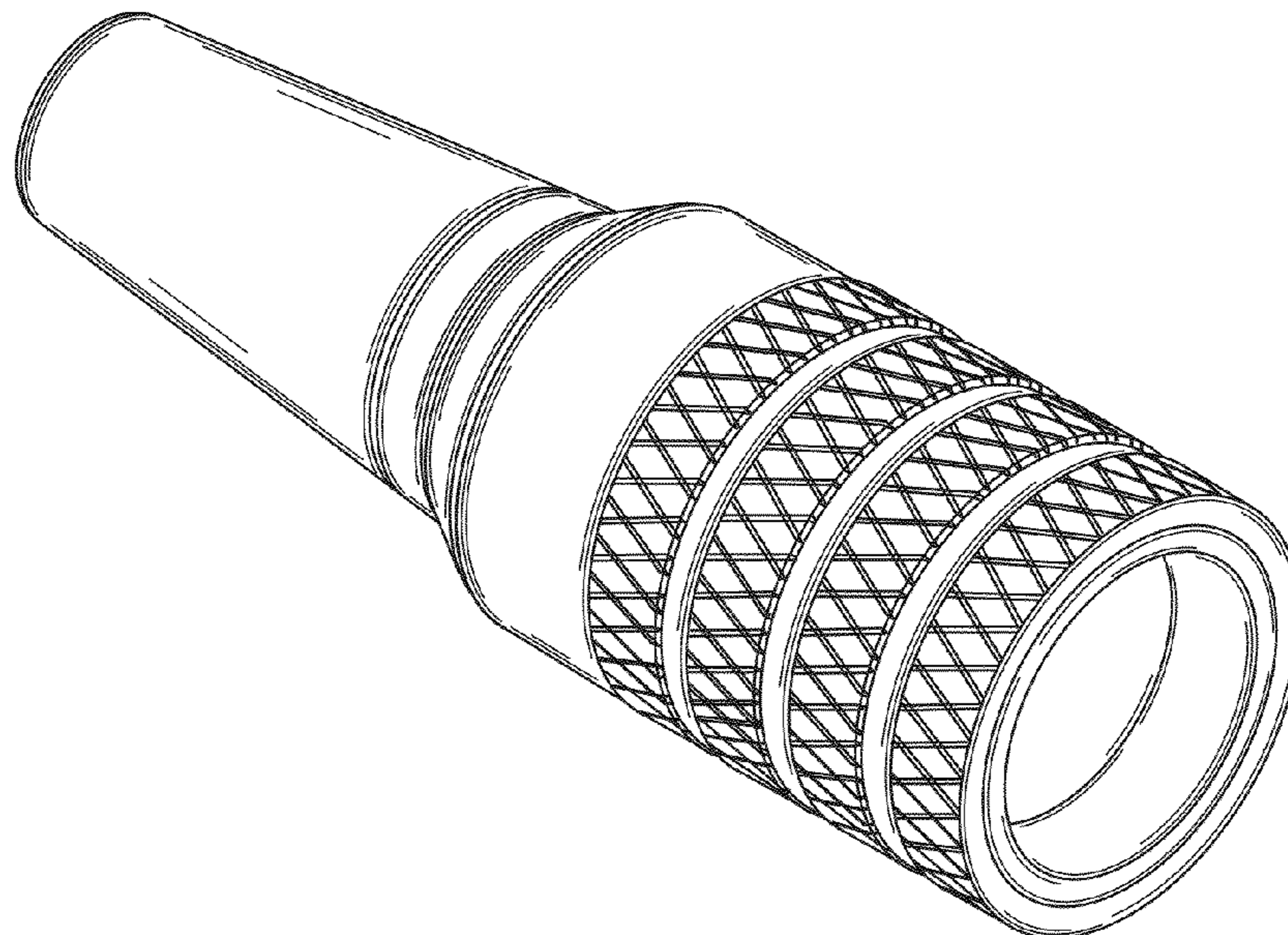
FIG. 1 is a rear perspective view of the tapered nozzle assembly;
FIG. 2 is a front perspective view thereof;
FIG. 3 is a side view thereof;
FIG. 4 is a rear view thereof; and,
FIG. 5 is a front view thereof.

(56) **References Cited**

U.S. PATENT DOCUMENTS

- 2,514,777 A * 7/1950 Marra 239/424.5
- 2,727,126 A * 12/1955 Guest et al. 219/75

1 Claim, 5 Drawing Sheets



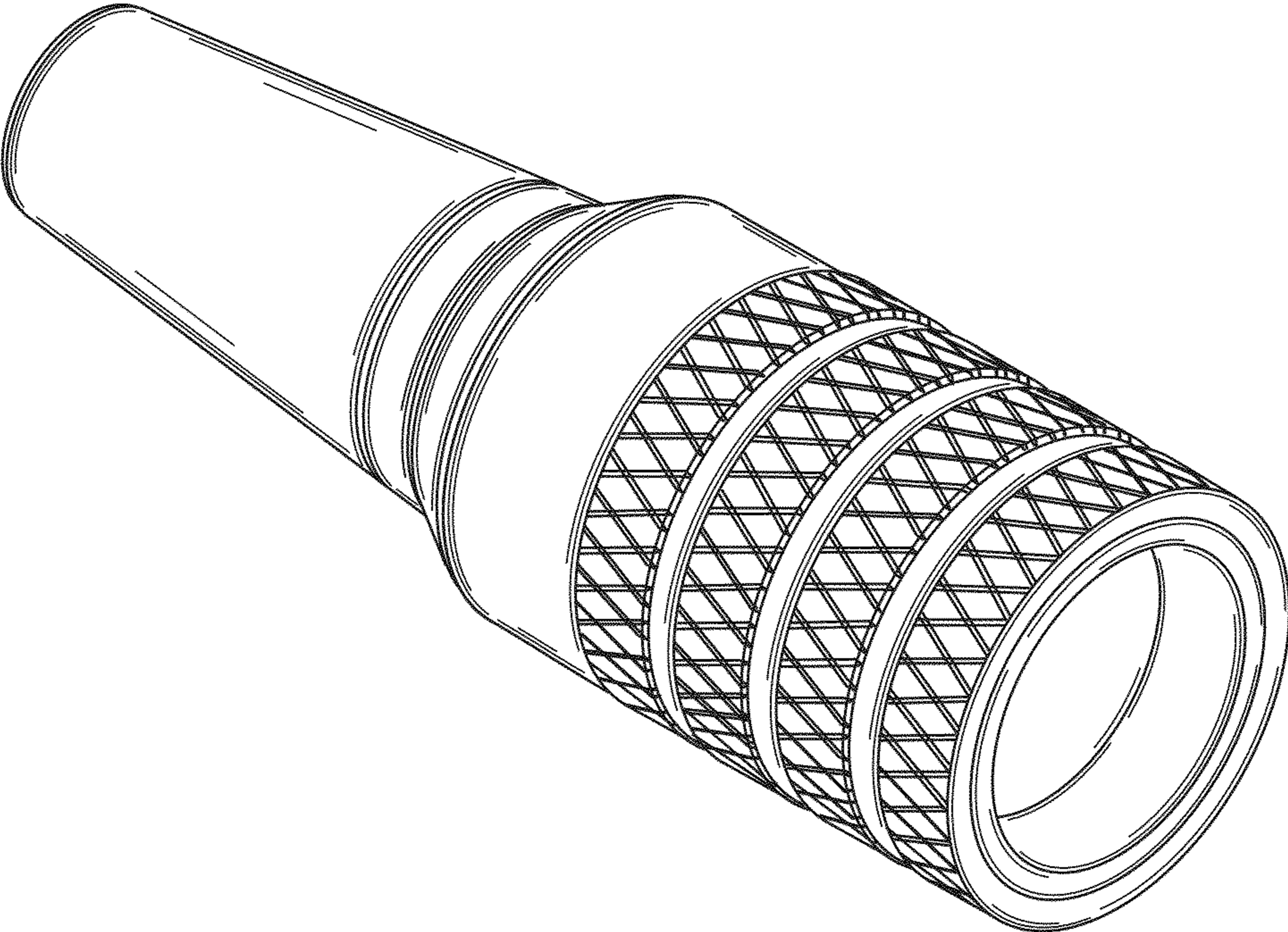


FIG. 1

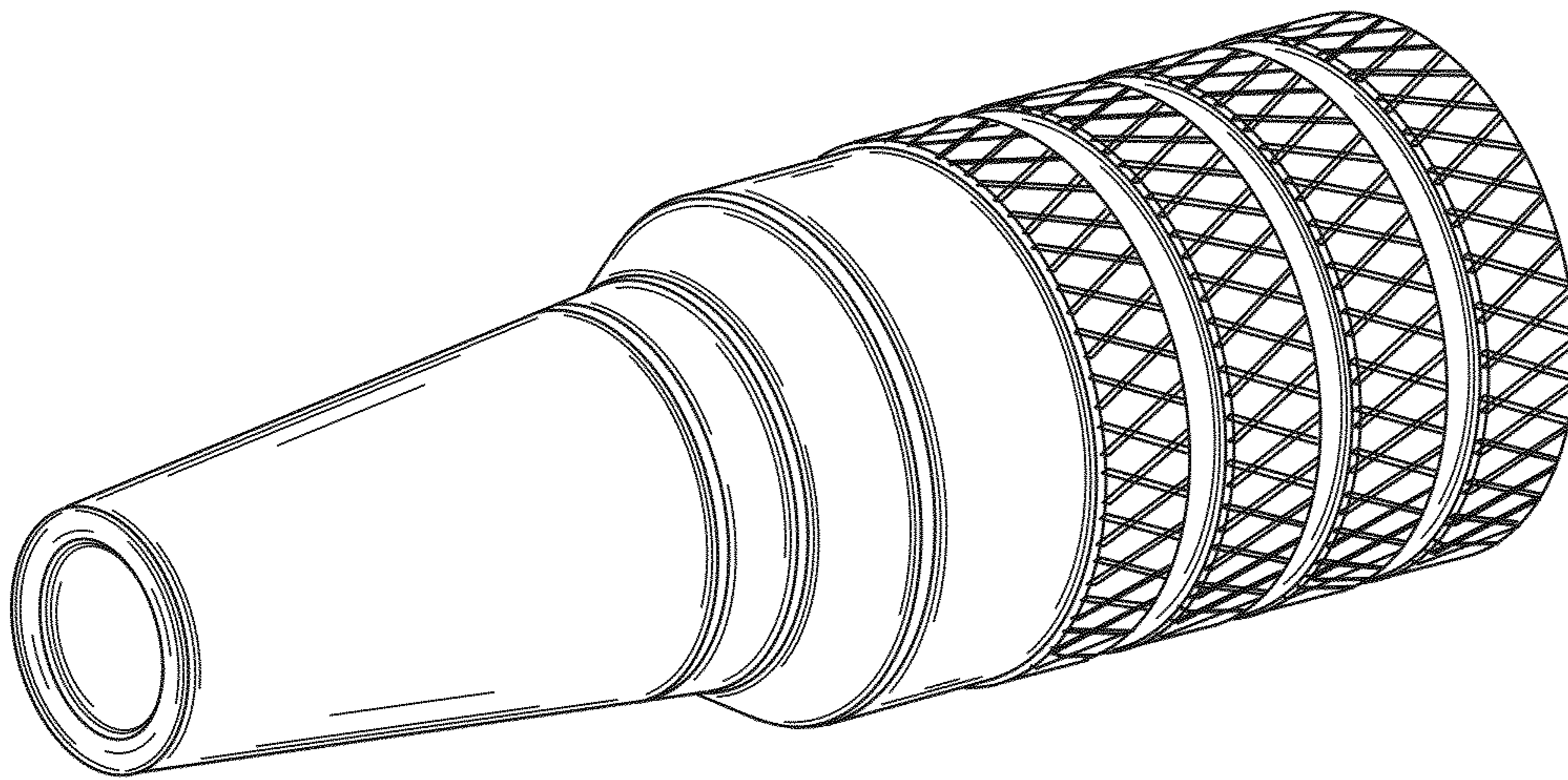


FIG. 2

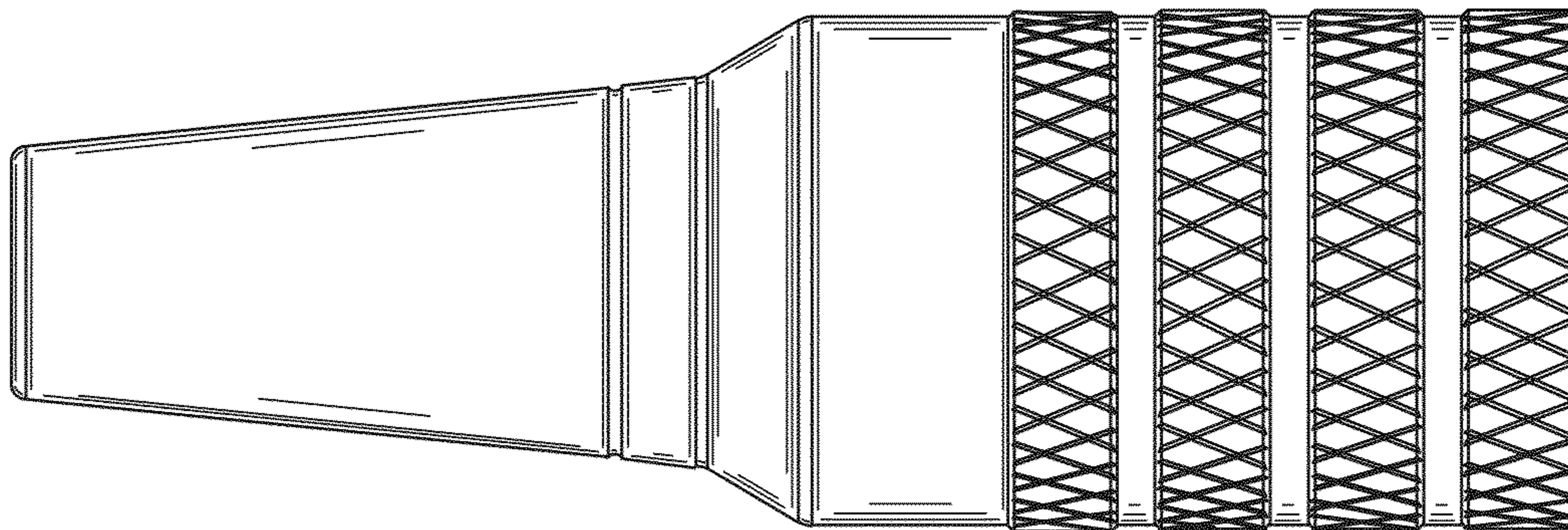


FIG. 3

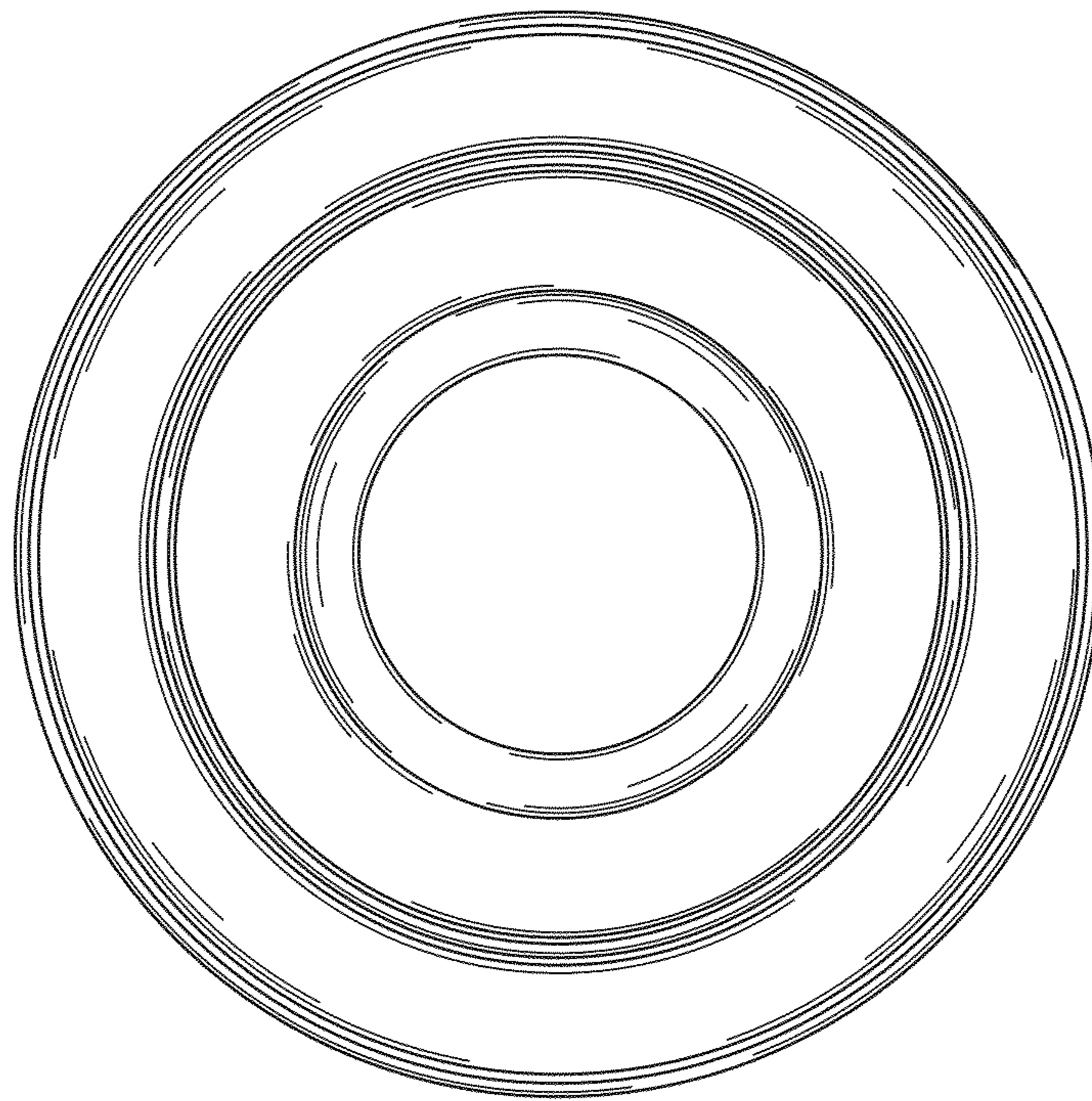


FIG. 4

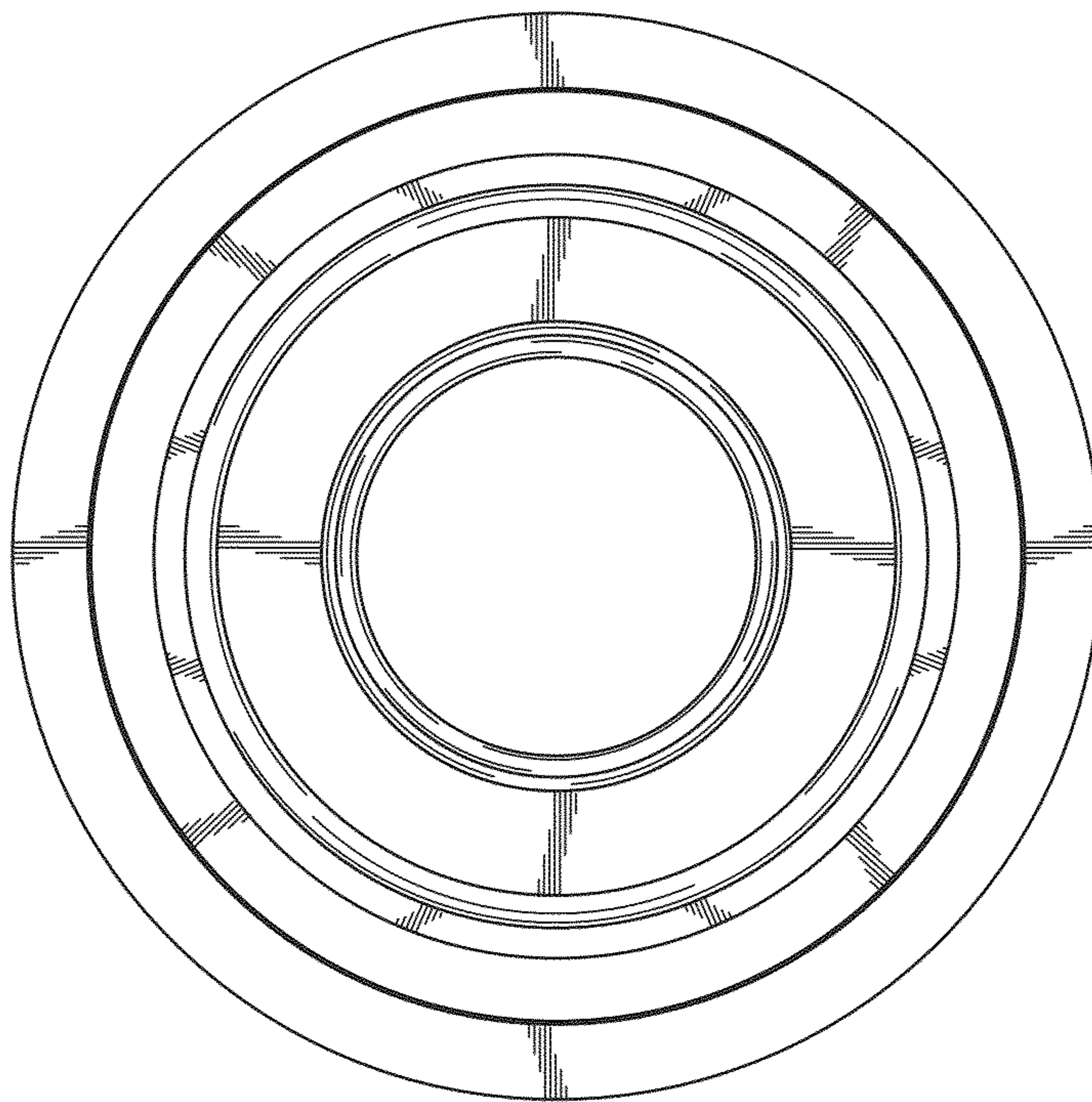


FIG. 5