



US00D744560S

(12) **United States Design Patent**
Hassan

(10) **Patent No.:** **US D744,560 S**

(45) **Date of Patent:** **** Dec. 1, 2015**

(54) **TAPERED CONTACT TIP**

(71) Applicant: **Victor Equipment Company**, Denton,
TX (US)

(72) Inventor: **Khalid Hassan**, Denton, TX (US)

(73) Assignee: **Victor Equipment Company**, Denton,
TX (US)

(**) Term: **14 Years**

(21) Appl. No.: **29/503,022**

(22) Filed: **Sep. 22, 2014**

(51) **LOC (10) Cl.** **15-09**

(52) **U.S. Cl.**
USPC **D15/144**

(58) **Field of Classification Search**
USPC D15/138-144.2, 21, 123; 299/104-111;
241/207; 219/137.31, 137.42-137.44,
219/137.61-137.63, 74, 75; D8/70;
D23/223; 239/419, 424.5, 549

See application file for complete search history.

(56) **References Cited**

U.S. PATENT DOCUMENTS

1,335,569 A * 3/1920 Errett 239/419
1,830,432 A * 11/1931 Hammon 239/424.5
2,392,386 A * 1/1946 Jenkins 239/419

2,514,777 A * 7/1950 Marra 239/424.5
2,727,126 A * 12/1955 Guest et al. 219/75
3,042,106 A * 7/1962 Werner 239/419
3,540,656 A * 11/1970 Yerkins 239/424.5
4,158,763 A * 6/1979 Moerke 219/137.42
D269,519 S * 6/1983 Braun D15/144
D269,521 S * 6/1983 Braun D15/144
D281,349 S * 11/1985 Goldish D23/223
D356,853 S * 3/1995 Fowler D23/223
D719,200 S * 12/2014 Hassan D15/144
D720,784 S * 1/2015 Hassan D15/144
D728,649 S * 5/2015 Hassan D15/144
2012/0032001 A1 * 2/2012 MacKenzie et al. 239/419
2013/0126504 A1 * 5/2013 Hassan et al. 219/137.42

* cited by examiner

Primary Examiner — Susan Bennett Hattan

Assistant Examiner — Brett Miller

(74) *Attorney, Agent, or Firm* — Kacvinsky Daisak Bluni
PLLC

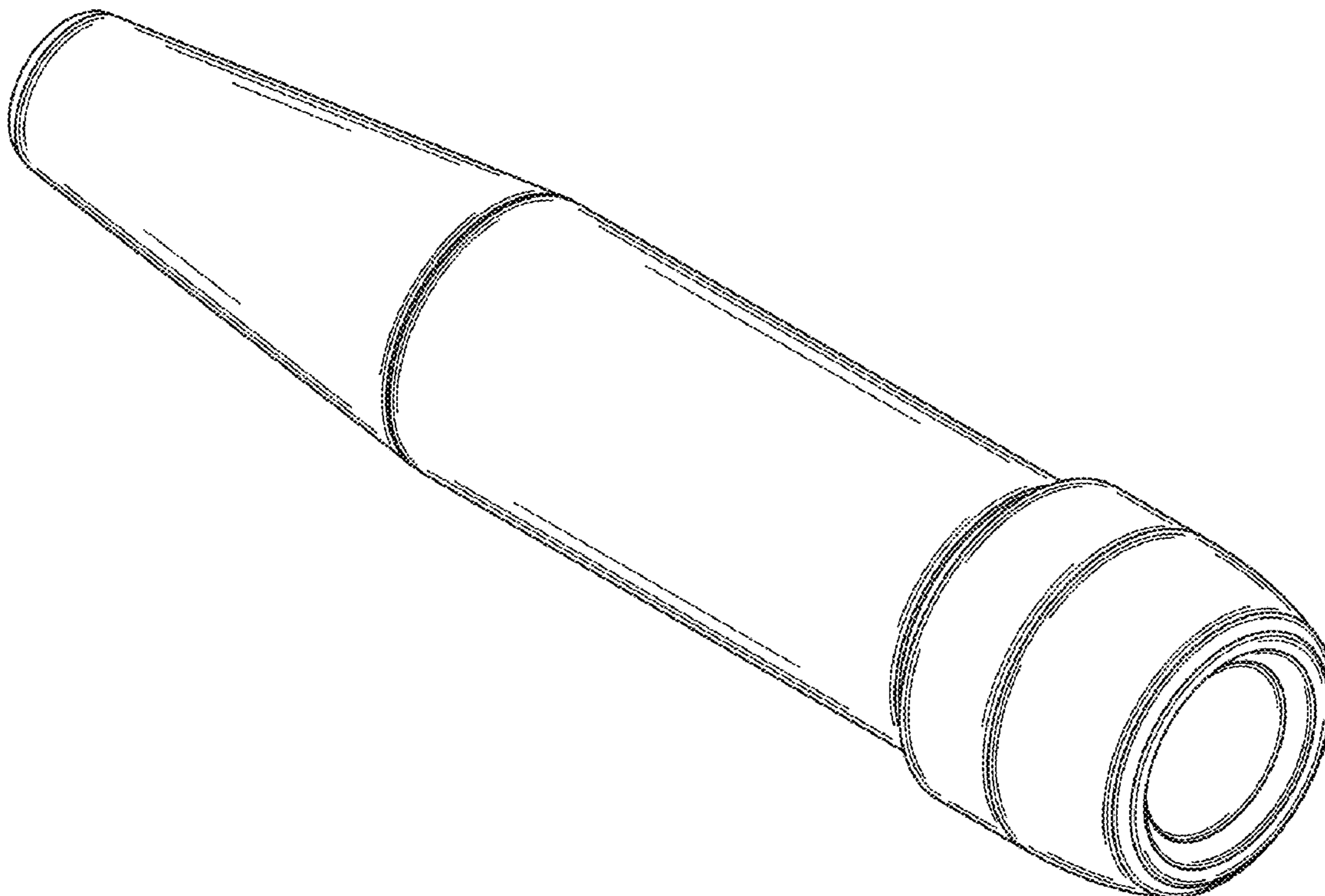
(57) **CLAIM**

The ornamental design for a tapered contact tip, as shown and
described.

DESCRIPTION

FIG. 1 is a rear perspective view of the tapered contact tip;
FIG. 2 is a front perspective view thereof;
FIG. 3 is a side view thereof;
FIG. 4 is a front view thereof; and,
FIG. 5 is a rear view thereof.

1 Claim, 5 Drawing Sheets



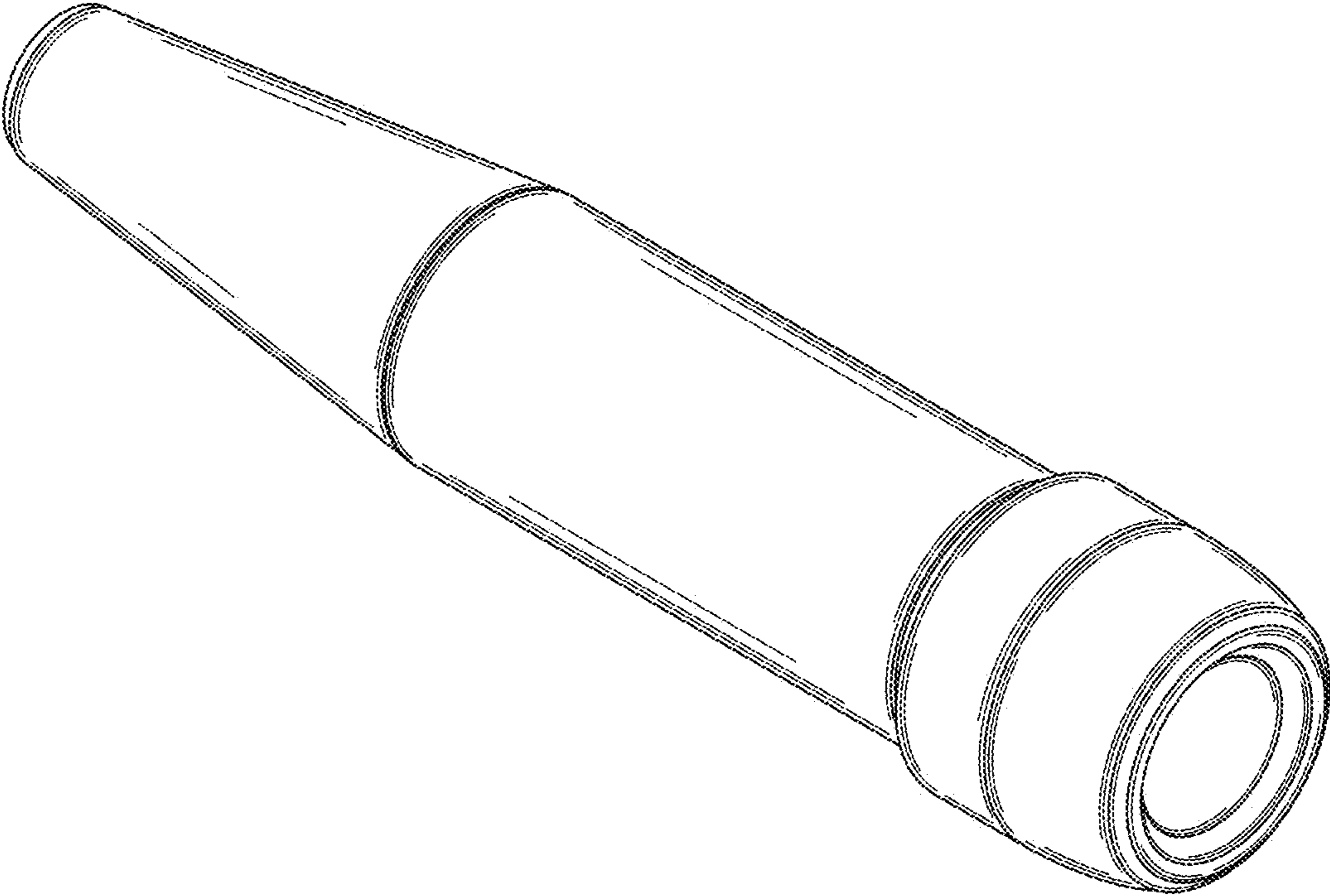


FIG. 1

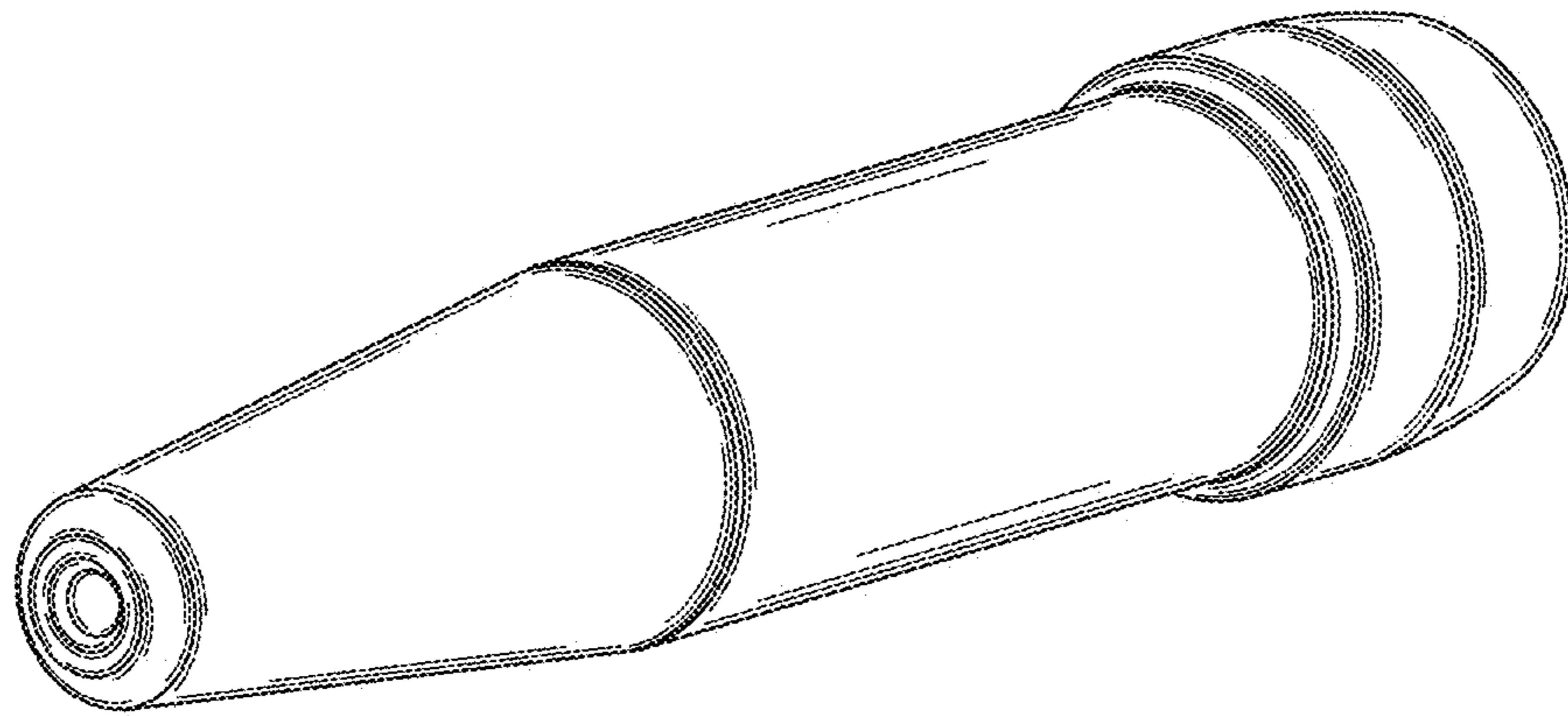


FIG. 2

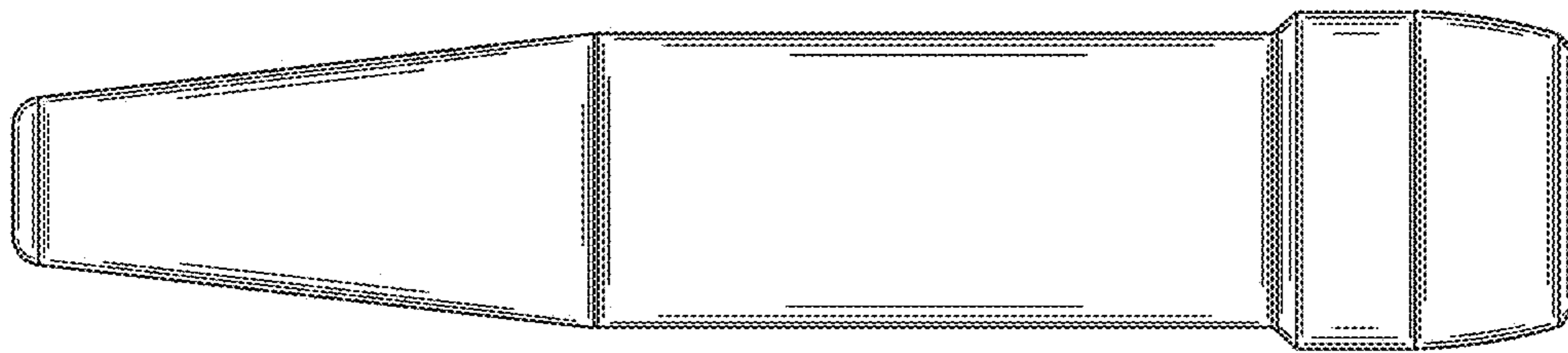


FIG. 3

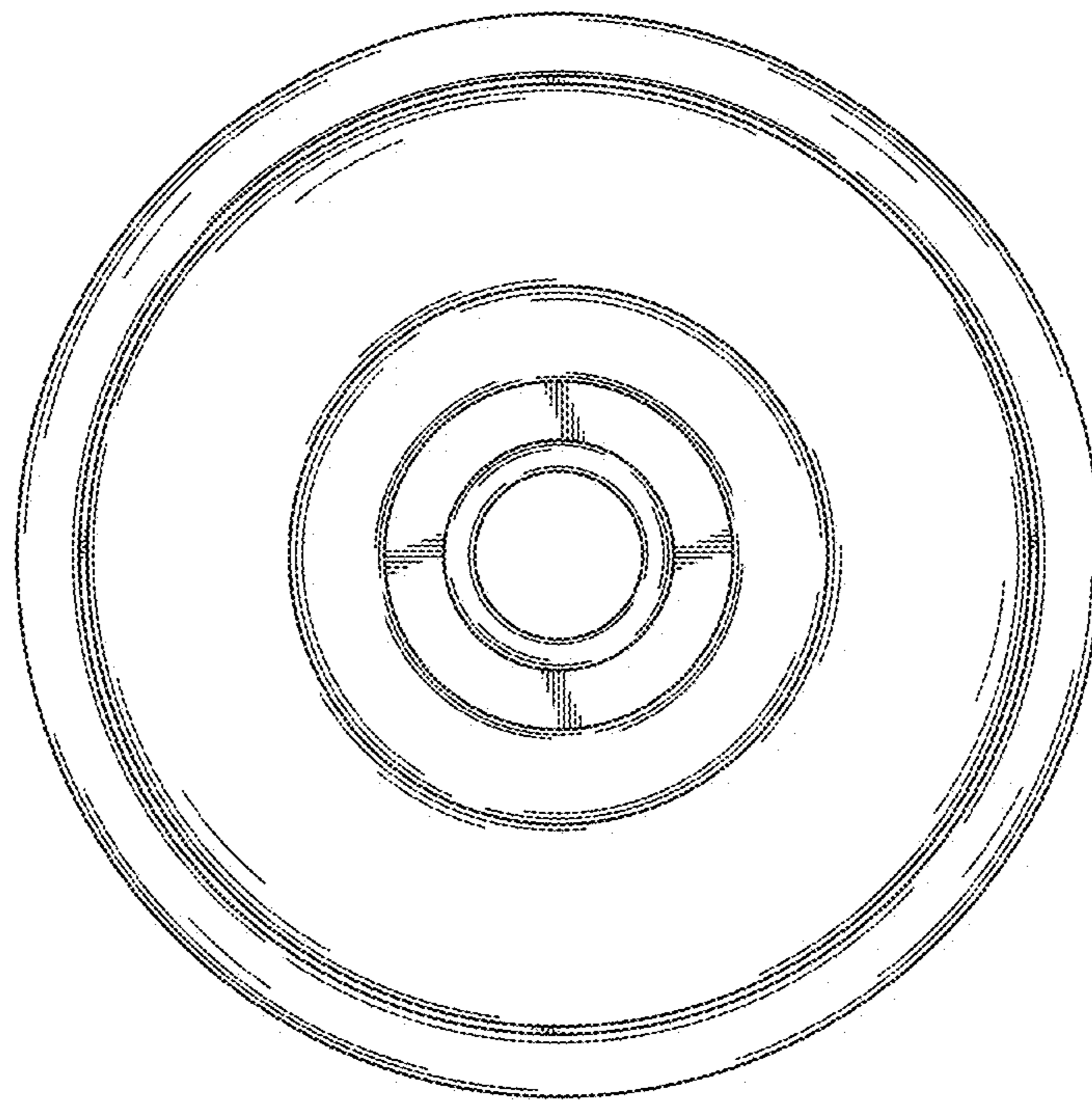


FIG. 4

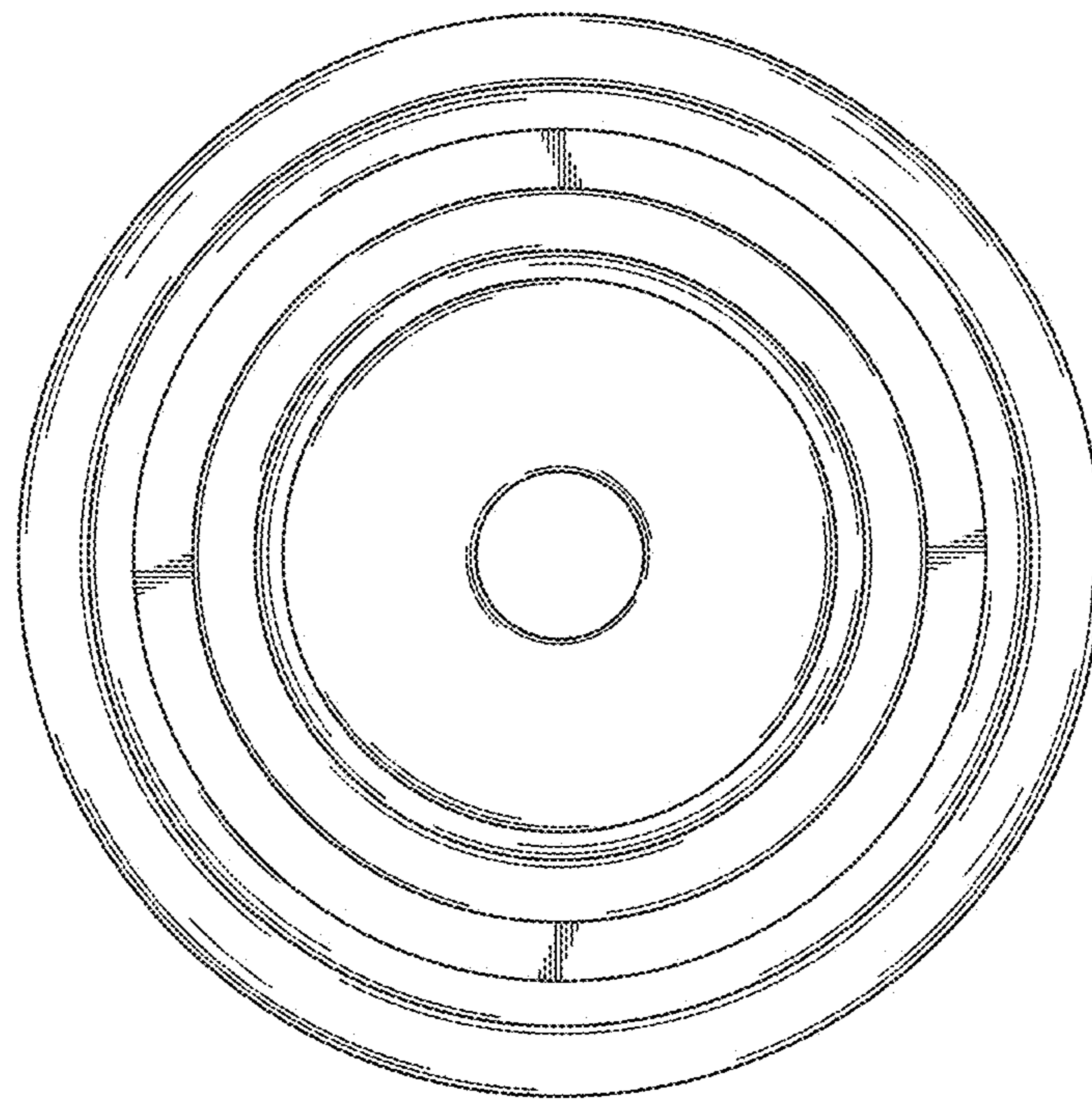


FIG. 5