



US00D744559S

(12) **United States Design Patent**
Nakayama et al.

(10) **Patent No.:** **US D744,559 S**
(45) **Date of Patent:** **** Dec. 1, 2015**

(54) **ELECTRIC ACTUATOR**

(71) Applicants: **Toru Nakayama**, Tsukubamirai (JP);
Toru Sugiyama, Tsukubamirai (JP);
Ryuichi Masui, Tsukubamirai (JP)
(72) Inventors: **Toru Nakayama**, Tsukubamirai (JP);
Toru Sugiyama, Tsukubamirai (JP);
Ryuichi Masui, Tsukubamirai (JP)
(73) Assignee: **SMC Corporation**, Chiyoda-ku, Tokyo
(JP)

(**) Term: **14 Years**

(21) Appl. No.: **29/510,536**

(22) Filed: **Dec. 1, 2014**

(30) **Foreign Application Priority Data**

Sep. 11, 2014 (JP) 2014-020123

(51) **LOC (10) Cl.** **15-09**

(52) **U.S. Cl.**
USPC **D15/143**

(58) **Field of Classification Search**
USPC D13/199; D15/1-6, 143, 199
See application file for complete search history.

(56) **References Cited**

U.S. PATENT DOCUMENTS

D317,922 S * 7/1991 Toyoda D15/5
D333,666 S * 3/1993 Kawashima D15/142
D378,214 S * 2/1997 Ikumi D15/143
D399,491 S * 10/1998 Nagai D13/158
D399,830 S * 10/1998 Nagai D13/158
D413,129 S * 8/1999 Nagai D15/199
D456,826 S * 5/2002 Nagai D15/143
6,558,039 B2 * 5/2003 Wu F16C 29/0657
384/45
6,880,417 B2 * 4/2005 Nagai F16H 25/2204
74/89.33
7,153,027 B2 * 12/2006 Yamaguchi F16C 29/005
384/15
7,207,262 B2 * 4/2007 Angue B23Q 1/58

92/13.5
D624,099 S * 9/2010 Fukano D13/158
D624,572 S * 9/2010 Fukano D13/158
7,895,766 B2 * 3/2011 Rudy F16C 29/00
33/706
D656,169 S * 3/2012 Fukano D15/143
D664,169 S * 7/2012 Shirai D15/143
8,353,225 B2 * 1/2013 Mori F16C 29/004
384/43
8,402,853 B2 * 3/2013 Pfister F16C 29/0604
384/45
8,459,174 B2 * 6/2013 Zeichner A47B 77/04
74/89.32
D686,257 S * 7/2013 Wu D15/143
D704,238 S * 5/2014 Fukano D15/143
D708,239 S * 7/2014 Lin D15/143
8,764,293 B2 * 7/2014 Nakagawa F16C 29/0642
384/15
2005/0011291 A1 * 1/2005 Nagai F16H 25/20
74/89.32
2009/0049938 A1 * 2/2009 Teramachi F16H 25/2204
74/22 A

* cited by examiner

Primary Examiner — Patricia Palasik
(74) *Attorney, Agent, or Firm* — Yokoi & Co., U.S.A.;
Toshiyuki Yokoi

(57) **CLAIM**
The ornamental design for an electric actuator, as shown and described.

DESCRIPTION

FIG. 1 shows a front view of an electric actuator showing our new design;
FIG. 2 shows a rear view thereof;
FIG. 3 shows a right side view thereof;
FIG. 4 shows a left side view thereof;
FIG. 5 shows a top view thereof;
FIG. 6 shows a bottom view thereof; and,
FIG. 7 shows a top, front and left side perspective view thereof.
The broken lines in the drawings depict unclaimed environmental subject matter.

1 Claim, 4 Drawing Sheets

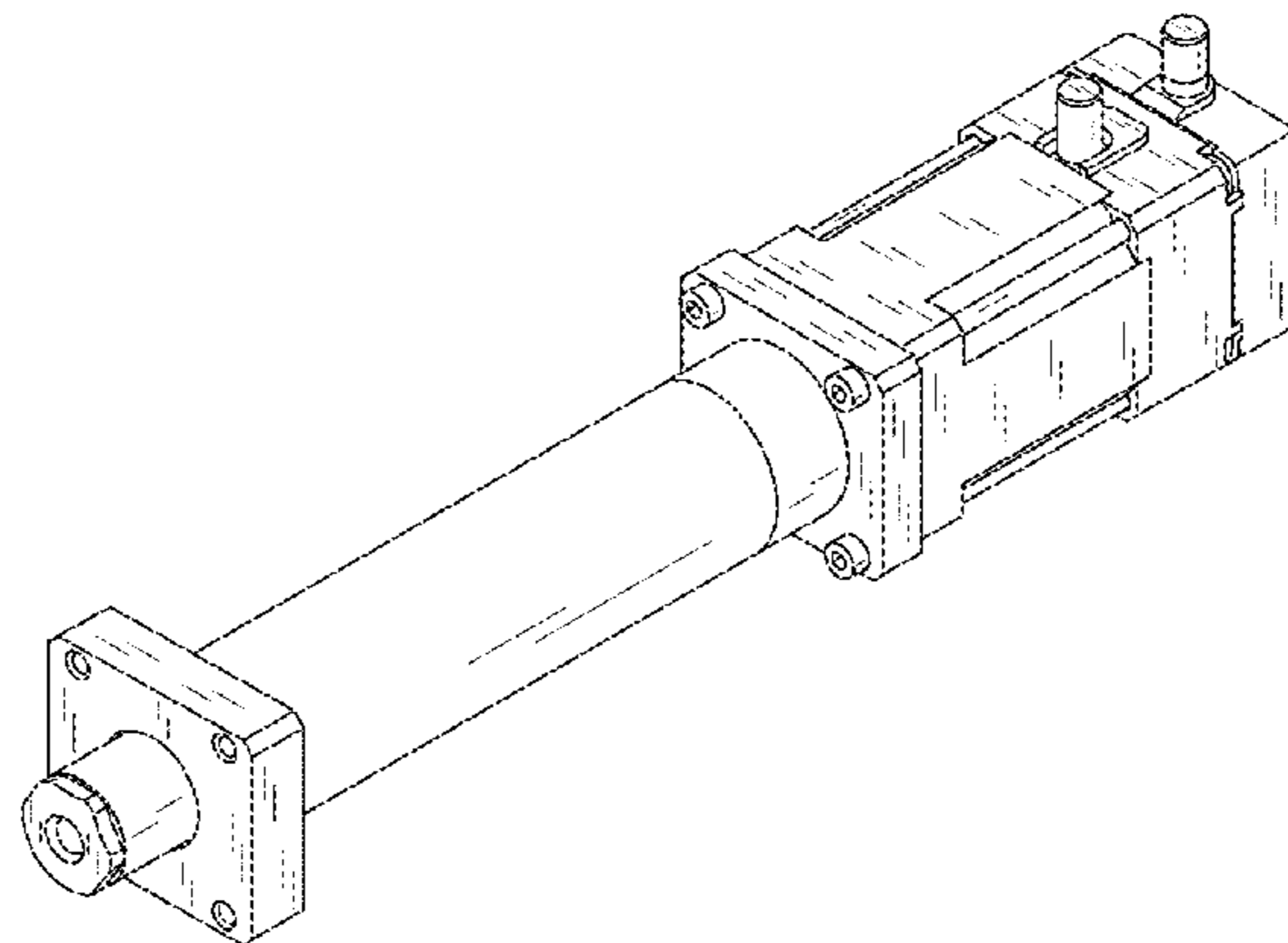


FIG. 1

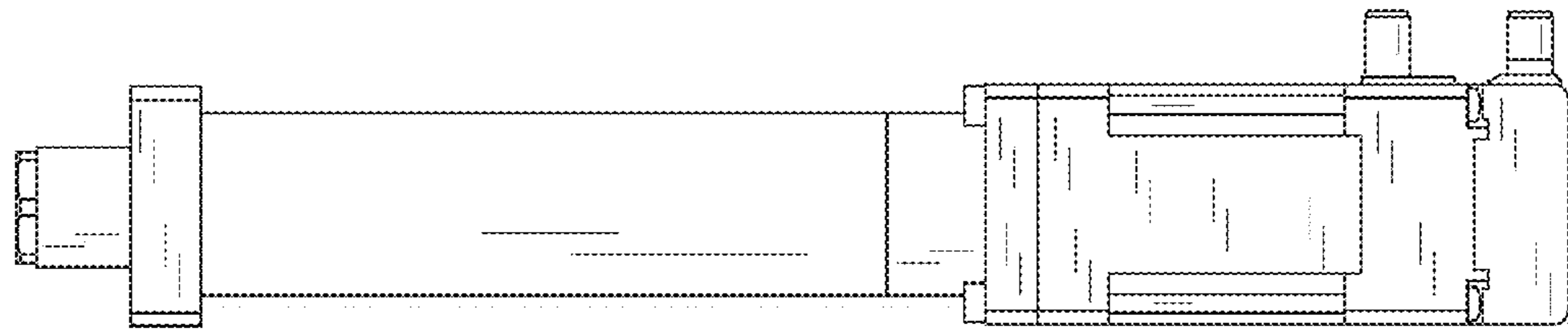


FIG. 2

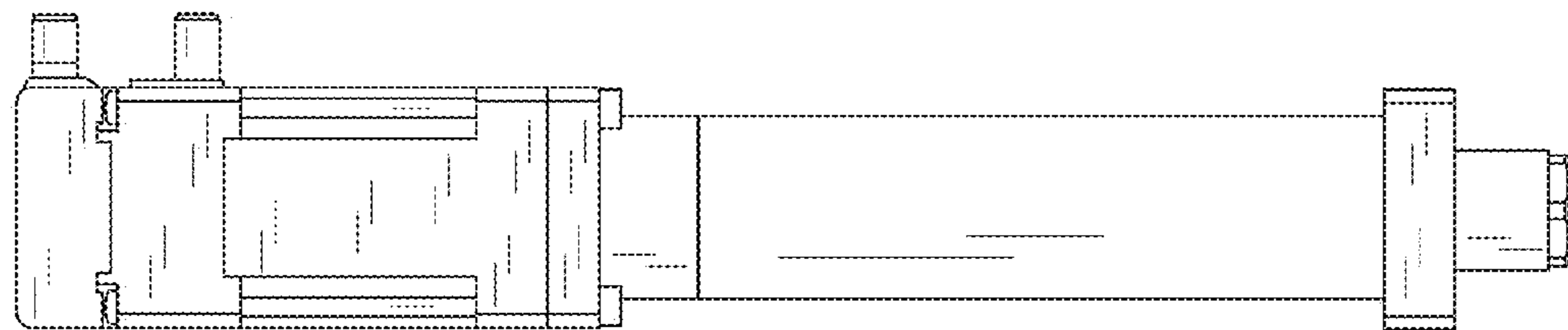


FIG. 3

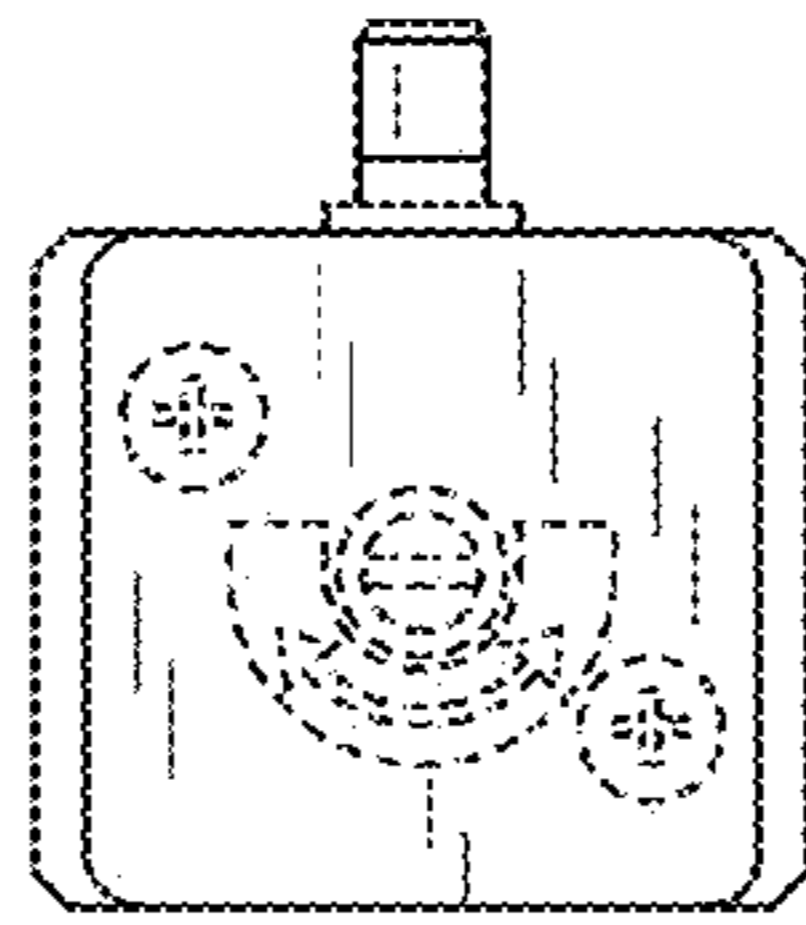


FIG. 4

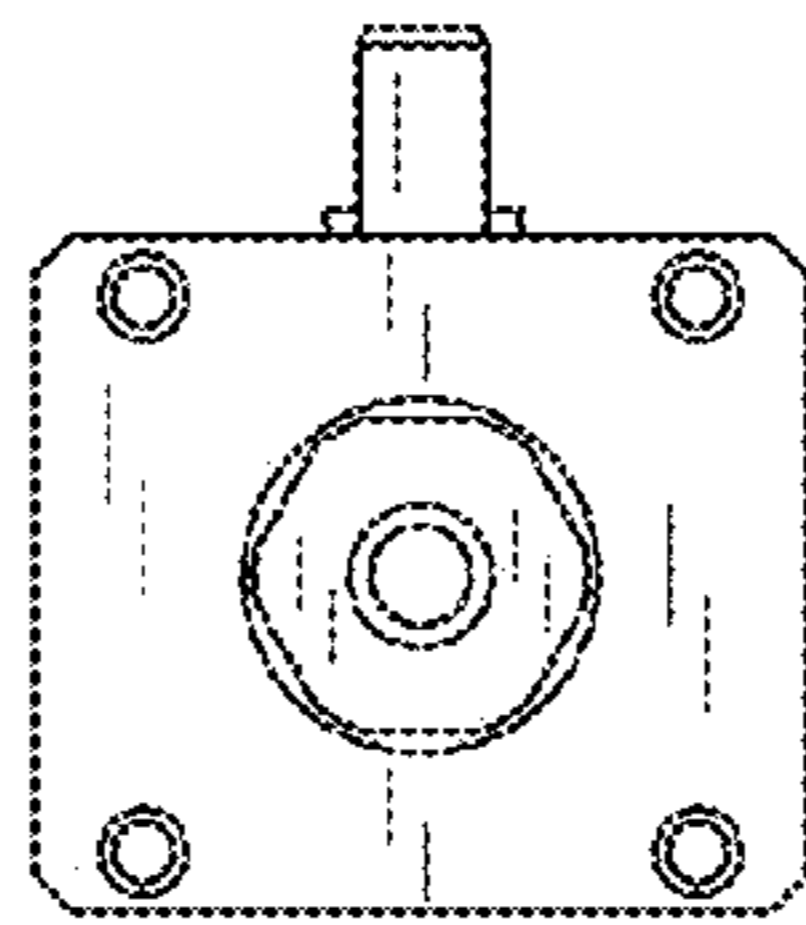


FIG. 5

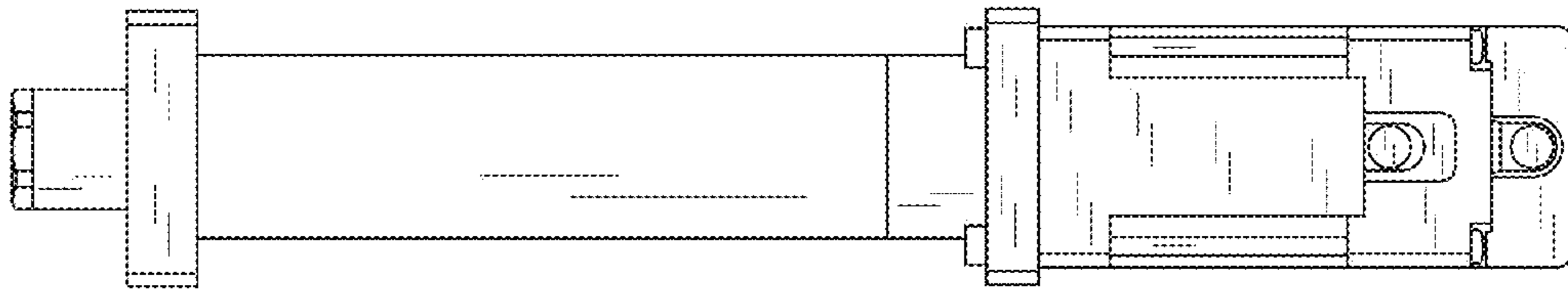


FIG. 6

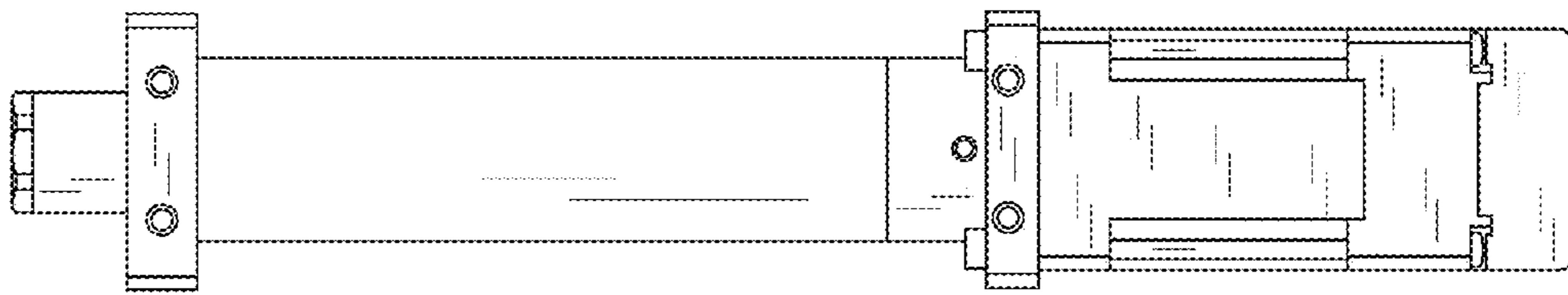


FIG. 7

