



US00D744558S

(12) **United States Design Patent**
Dunkin et al.

(10) **Patent No.:** **US D744,558 S**
(45) **Date of Patent:** **** Dec. 1, 2015**

(54) **FRAME**

(56)

References Cited

(71) Applicant: **Ridge Tool Company**, Elyria, OH (US)

U.S. PATENT DOCUMENTS

(72) Inventors: **Jon R. Dunkin**, Elyria, OH (US);
Michael J. Rutkowski, Brunswick, OH (US)

622,548 A *	4/1899	Sherman	82/128
1,932,462 A	10/1933	Howlett	
2,291,395 A	7/1942	Levey	
D133,715 S *	9/1942	Neef, Jr.	D15/141
2,561,484 A	7/1951	Shaw et al.	
2,842,238 A	7/1958	Shaw et al.	
D194,721 S *	2/1963	Berlant	D15/127
3,088,352 A	5/1963	Tanner	
3,164,062 A	1/1965	Hogden et al.	
3,265,379 A	8/1966	Mighton	
3,386,337 A	6/1968	Spier	
3,501,872 A	3/1970	Harter	
3,541,826 A	11/1970	Halliburton	
3,699,828 A	10/1972	Piatek et al.	
3,712,174 A	1/1973	Granfield	

(73) Assignee: **RIDGE TOOL COMPANY**, Elyria, OH (US)

(**) Term: **14 Years**

(21) Appl. No.: **29/499,918**

(22) Filed: **Aug. 20, 2014**

(Continued)

Related U.S. Application Data

(63) Continuation-in-part of application No. 14/452,646, filed on Aug. 6, 2014.

Primary Examiner — Susan Bennett Hattan

Assistant Examiner — Brett Miller

(74) *Attorney, Agent, or Firm* — Mark E. Bandy; Rankin, Hill & Clark LLP

(30) **Foreign Application Priority Data**

Mar. 13, 2014 (IN) 1301/CHE/2014

(51) **LOC (10) Cl.** **15-09**

(52) **U.S. Cl.**
USPC **D15/141**

(58) **Field of Classification Search**
USPC D15/124-134, 138-143, 28-29, 9, 17;
D10/64, 65; D8/70, 8, 66; D7/412;
82/113; 83/471.3
CPC B23D 45/044-45/048; B21D 17/04;
B23K 7/006; B23B 5/162; B23B 5/163;
Y10T 82/22

See application file for complete search history.

(57)

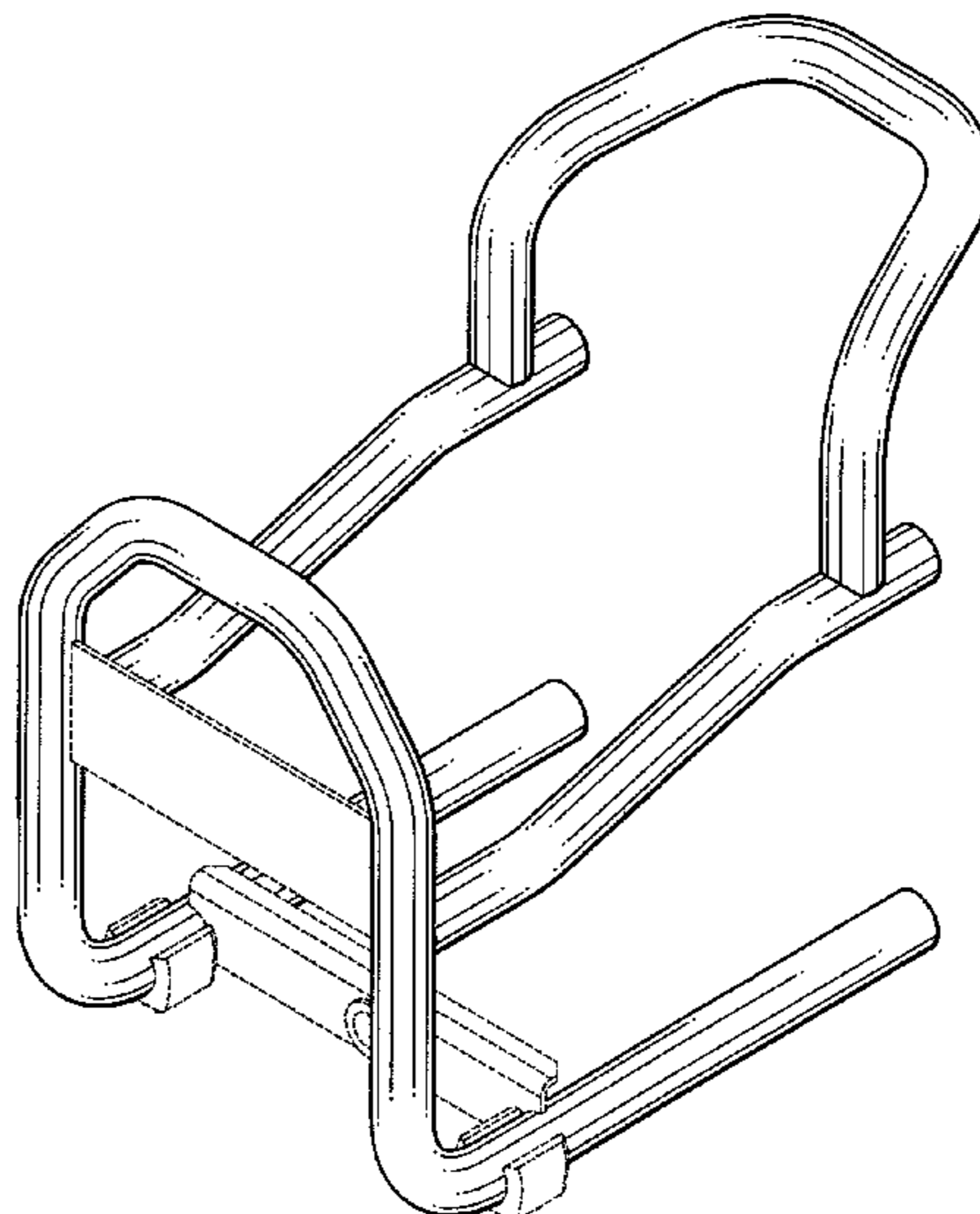
CLAIM

The ornamental design for a frame, as shown and described.

DESCRIPTION

FIG. 1 is a front right perspective view of a frame.
FIG. 2 is a right side view of the frame of FIG. 1.
FIG. 3 is a left side view of the frame of FIG. 1.
FIG. 4 is a front elevational view of the frame of FIG. 1.
FIG. 5 is a rear elevational view of the frame of FIG. 1.
FIG. 6 is a top plan view of the frame of FIG. 1.
FIG. 7 is a bottom plan view of the frame of FIG. 1; and,
FIG. 8 is a perspective view of the frame of FIGS. 1-7 illustrating a possible use.
The dashed lines in FIGS. 1-8 are for illustrative purposes only showing environmental subject matter and form no part of the claimed design.

1 Claim, 8 Drawing Sheets



(56)

References Cited

U.S. PATENT DOCUMENTS

3,744,356 A	7/1973	Slator et al.	6,129,488 A	10/2000	Fahr
3,850,058 A	11/1974	Bachmann	6,146,067 A	11/2000	Owens
3,951,018 A	4/1976	Gilmore	6,202,522 B1	3/2001	Tremblay
3,995,466 A	12/1976	Kunsman	6,279,437 B1	8/2001	Way
4,144,733 A	3/1979	Whitten	6,536,316 B2	3/2003	Strait et al.
4,180,358 A	12/1979	Uribe	6,993,949 B2	2/2006	Dole
4,207,786 A	6/1980	Astle et al.	7,082,656 B1	8/2006	Duncan et al.
4,418,591 A	12/1983	Astle	7,103,950 B1	9/2006	Scheffer
4,490,909 A	1/1985	Wachs et al.	7,270,505 B2	9/2007	Vanderpol et al.
4,625,464 A	12/1986	Kubo	7,578,643 B1	8/2009	Karow
4,633,621 A	1/1987	Weber	D604,746 S *	11/2009	Nishido et al. D15/7
4,682,919 A	7/1987	Mitchell	8,297,157 B1	10/2012	Miller
4,689,883 A	9/1987	Dent	8,302,514 B2	11/2012	Dole et al.
5,393,176 A	2/1995	Waring	D693,860 S *	11/2013	Hare et al. D15/138
5,515,756 A	5/1996	Sandford et al.	D697,098 S *	1/2014	Hare et al. D15/138
5,528,919 A	6/1996	McGrady et al.	D710,903 S *	8/2014	Vintzel et al. D15/9
5,605,083 A *	2/1997	Lupke et al. 82/113	2003/0175078 A1 *	9/2003	Sina et al. 404/133.1
5,641,253 A	6/1997	Wagner	2004/0096287 A1	5/2004	Woodrum
5,961,382 A	10/1999	Stoloski	2004/0206218 A1	10/2004	Nybo
6,079,302 A	6/2000	Gudleske	2008/0005907 A1	1/2008	Scheffer
			2009/0235532 A1	9/2009	Stratford-Smith
			2013/0055862 A1 *	3/2013	Kundracik et al. 82/113
			2015/0040731 A1 *	2/2015	Moherman et al. 82/113

* cited by examiner

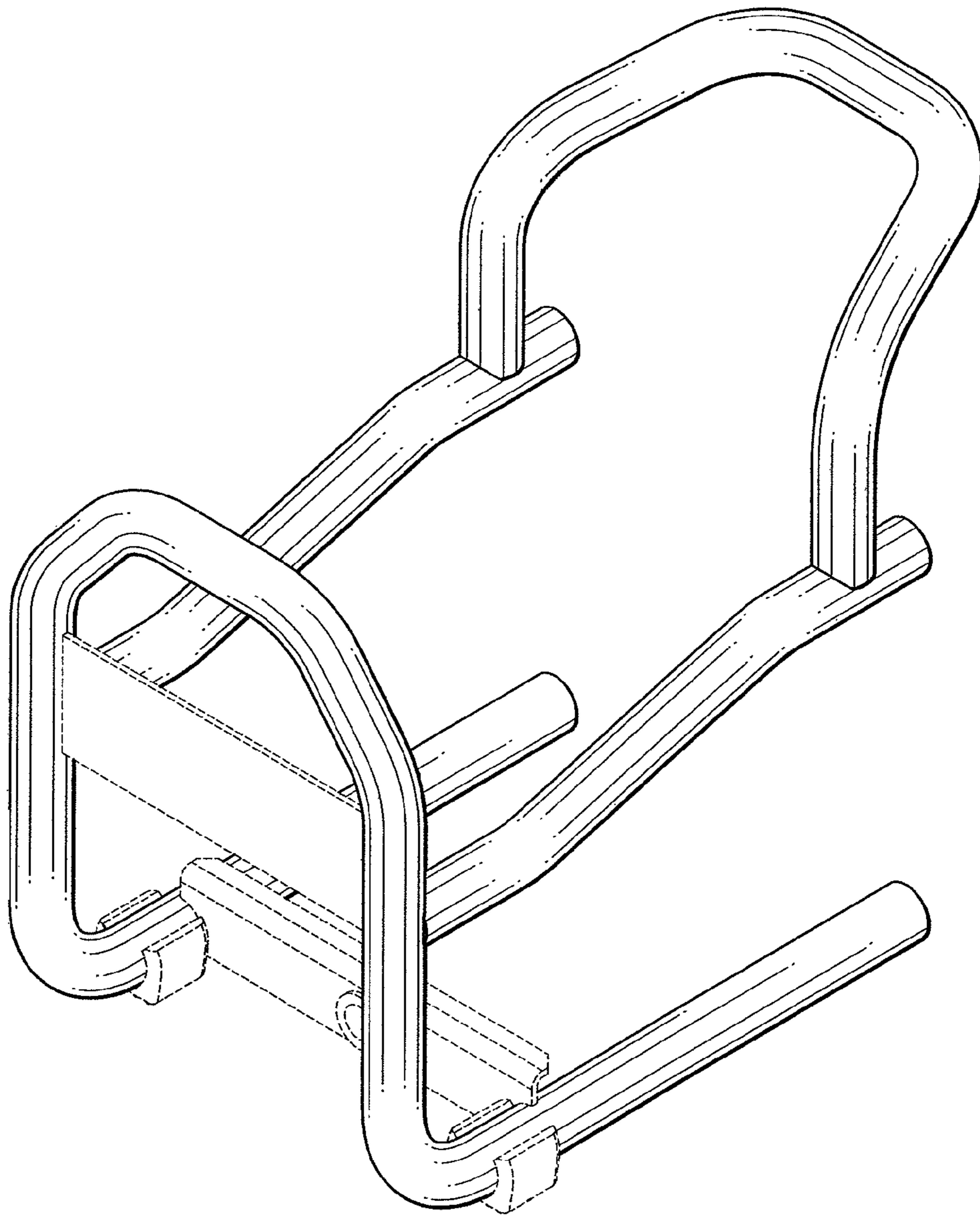


FIG. 1

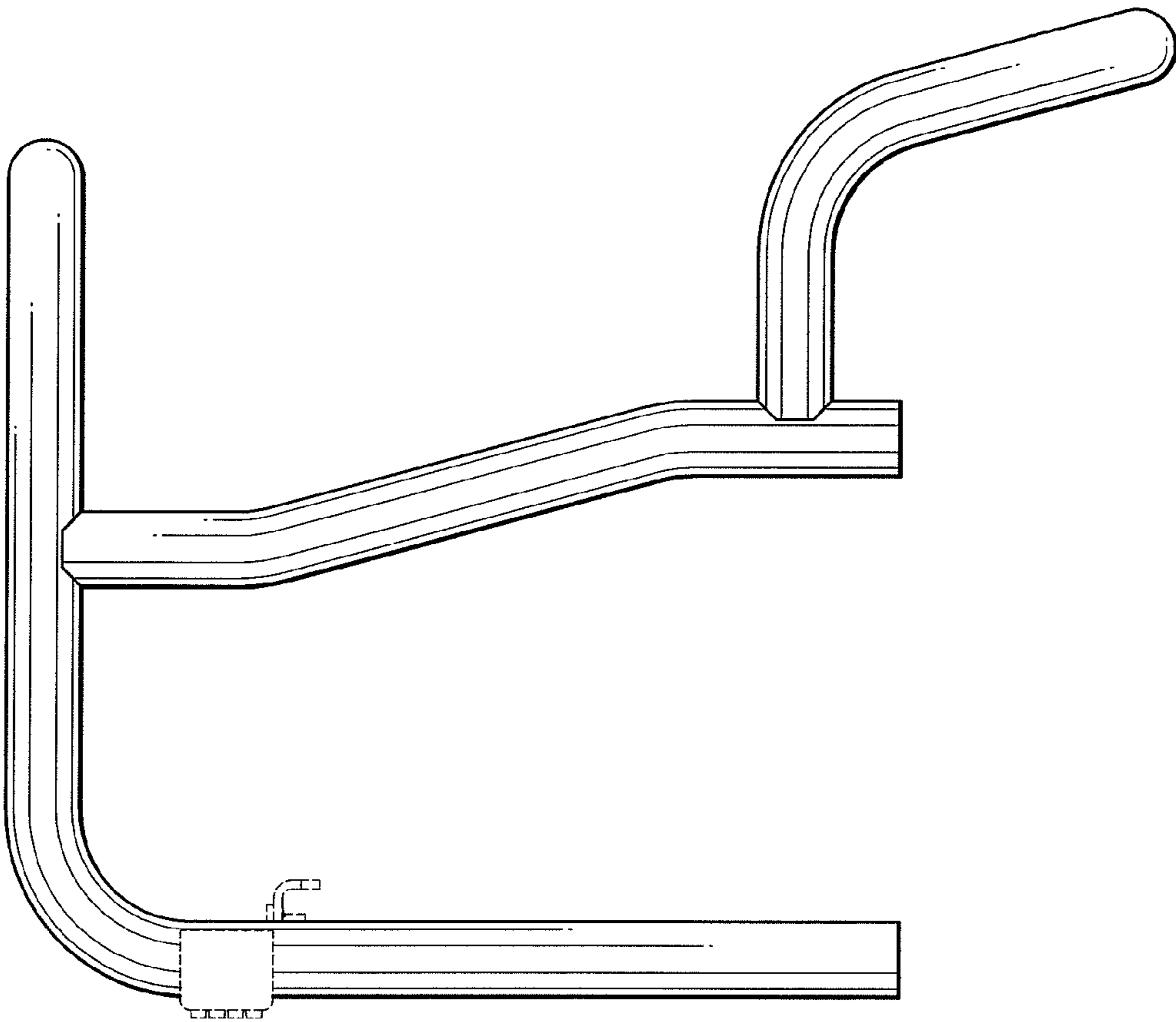


FIG. 2

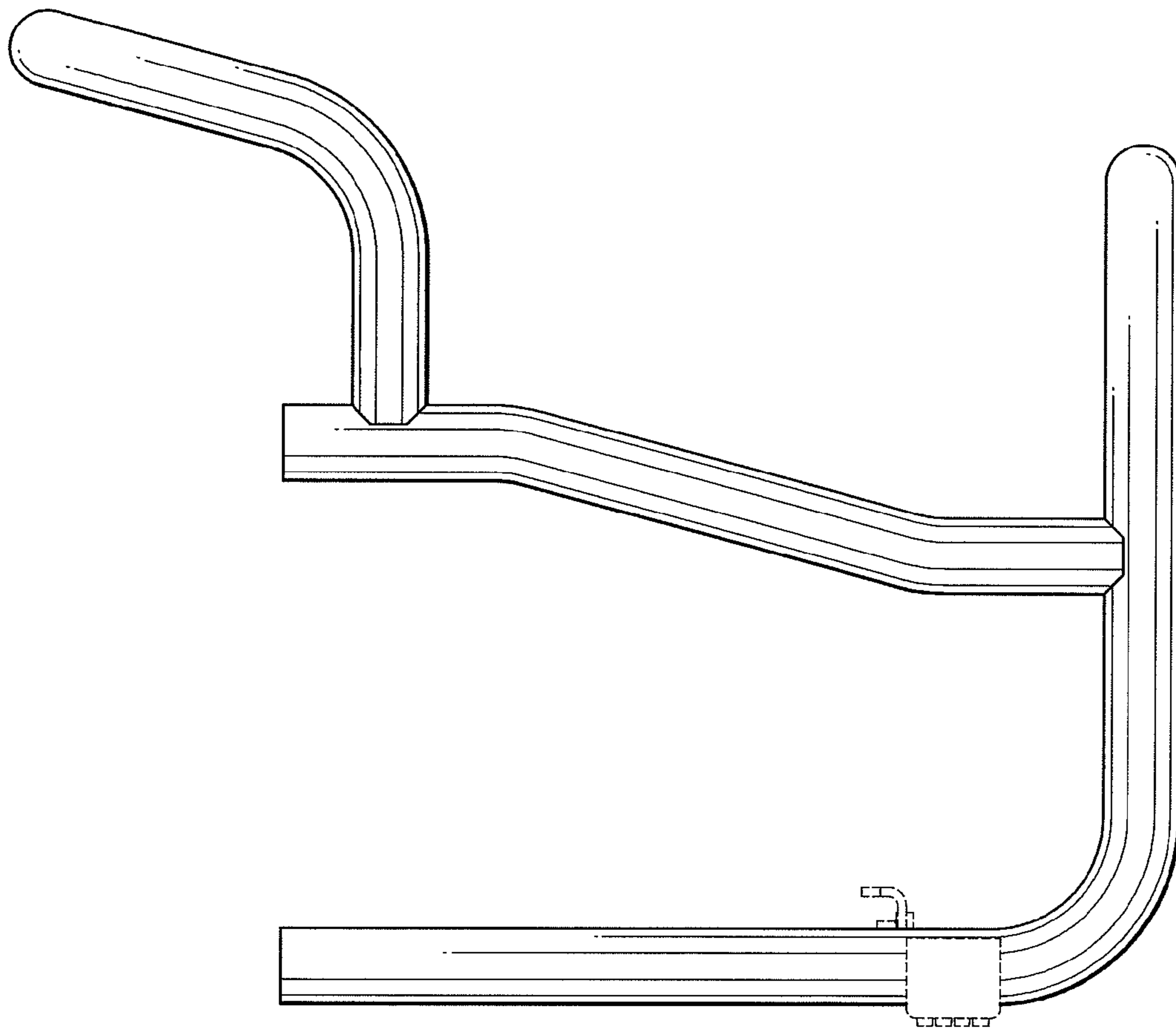


FIG. 3

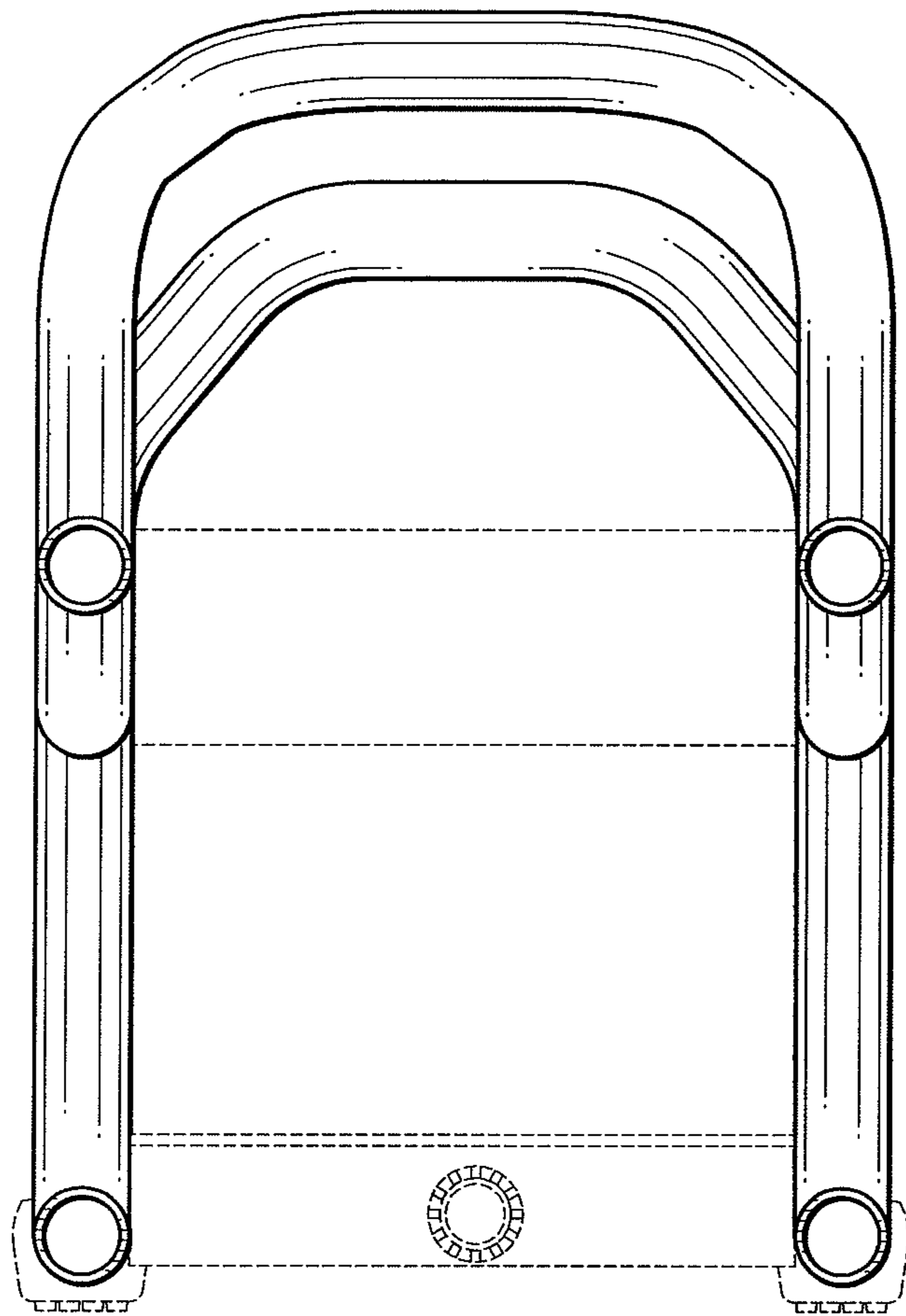


FIG. 4

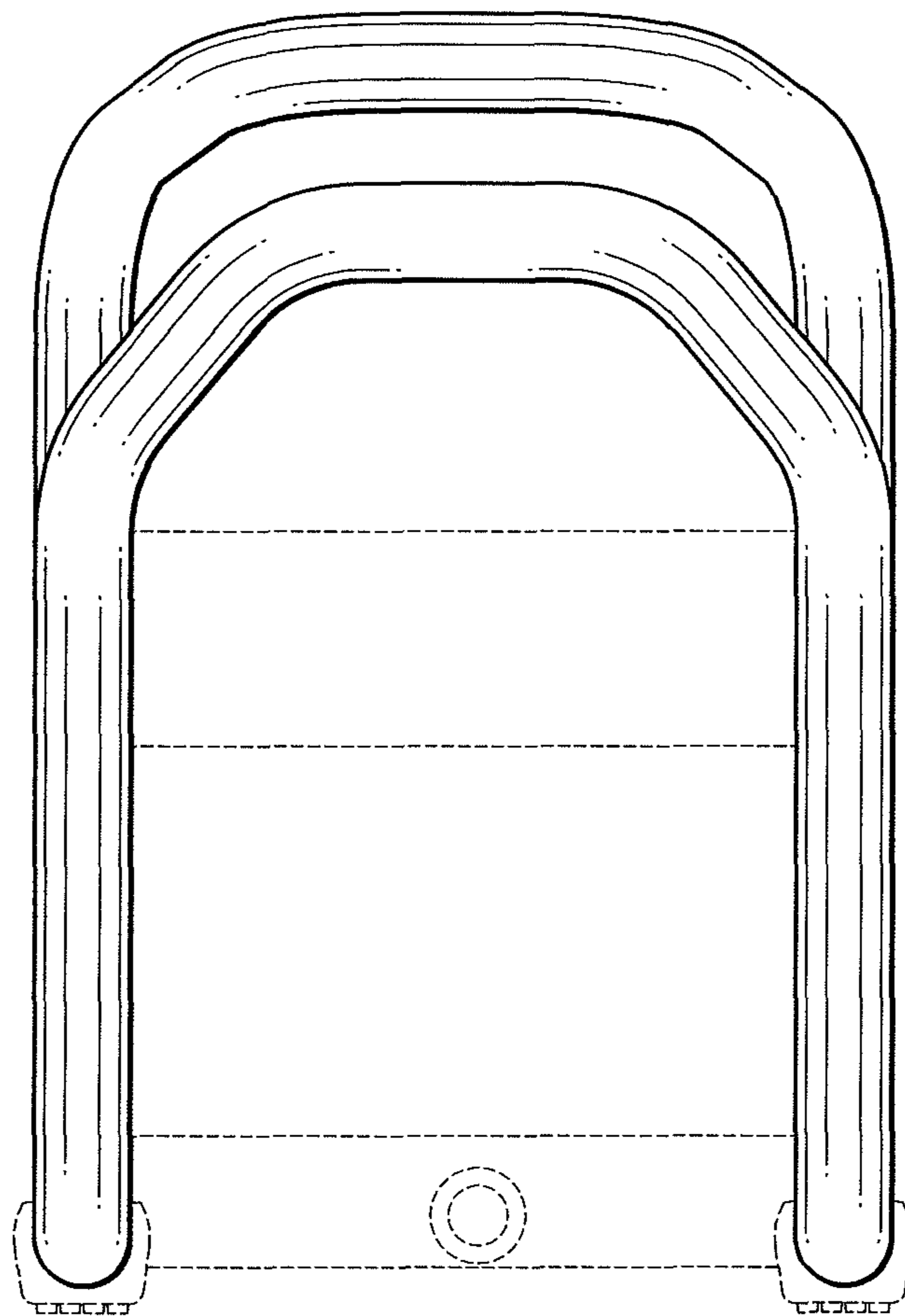


FIG. 5

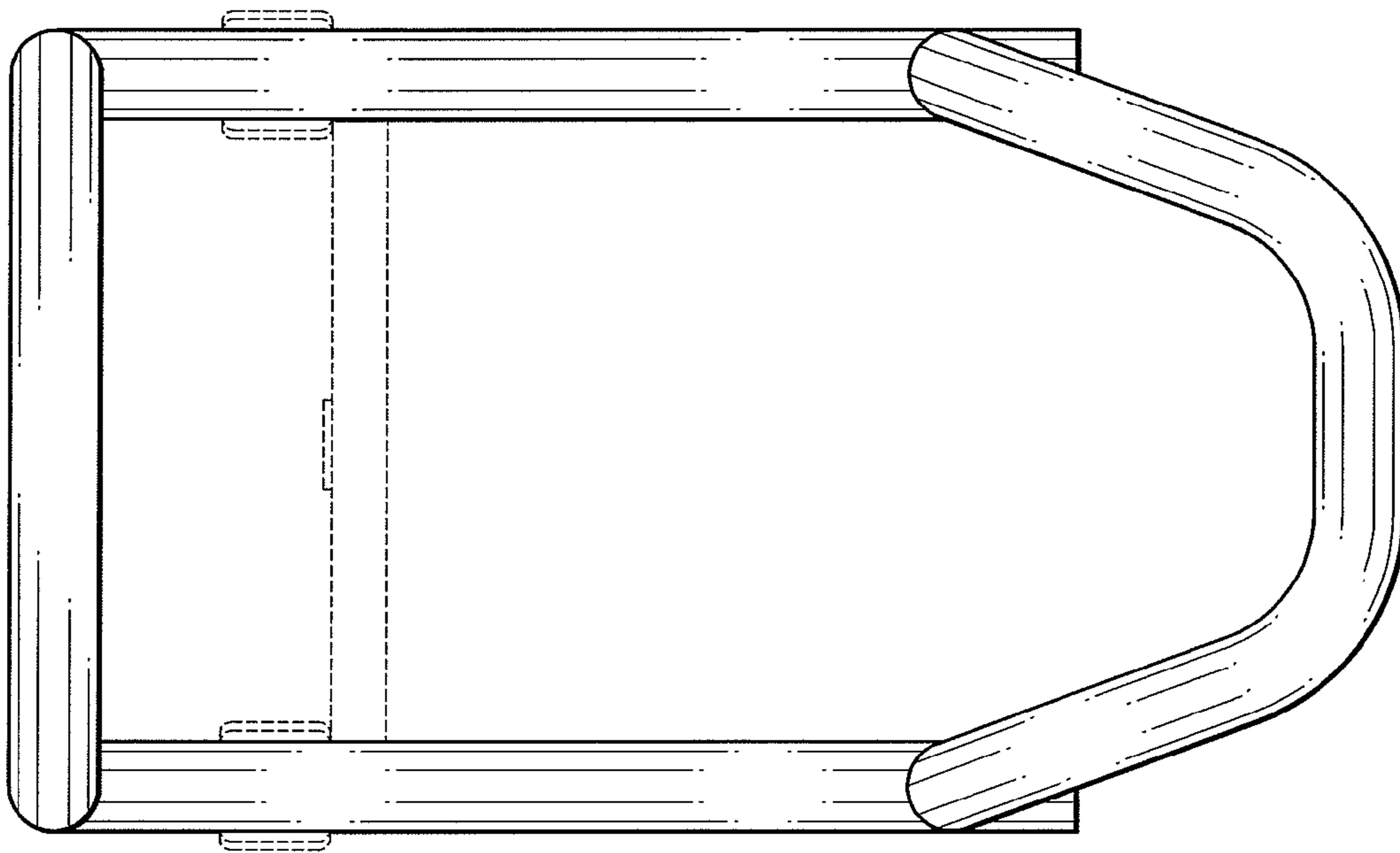


FIG. 6

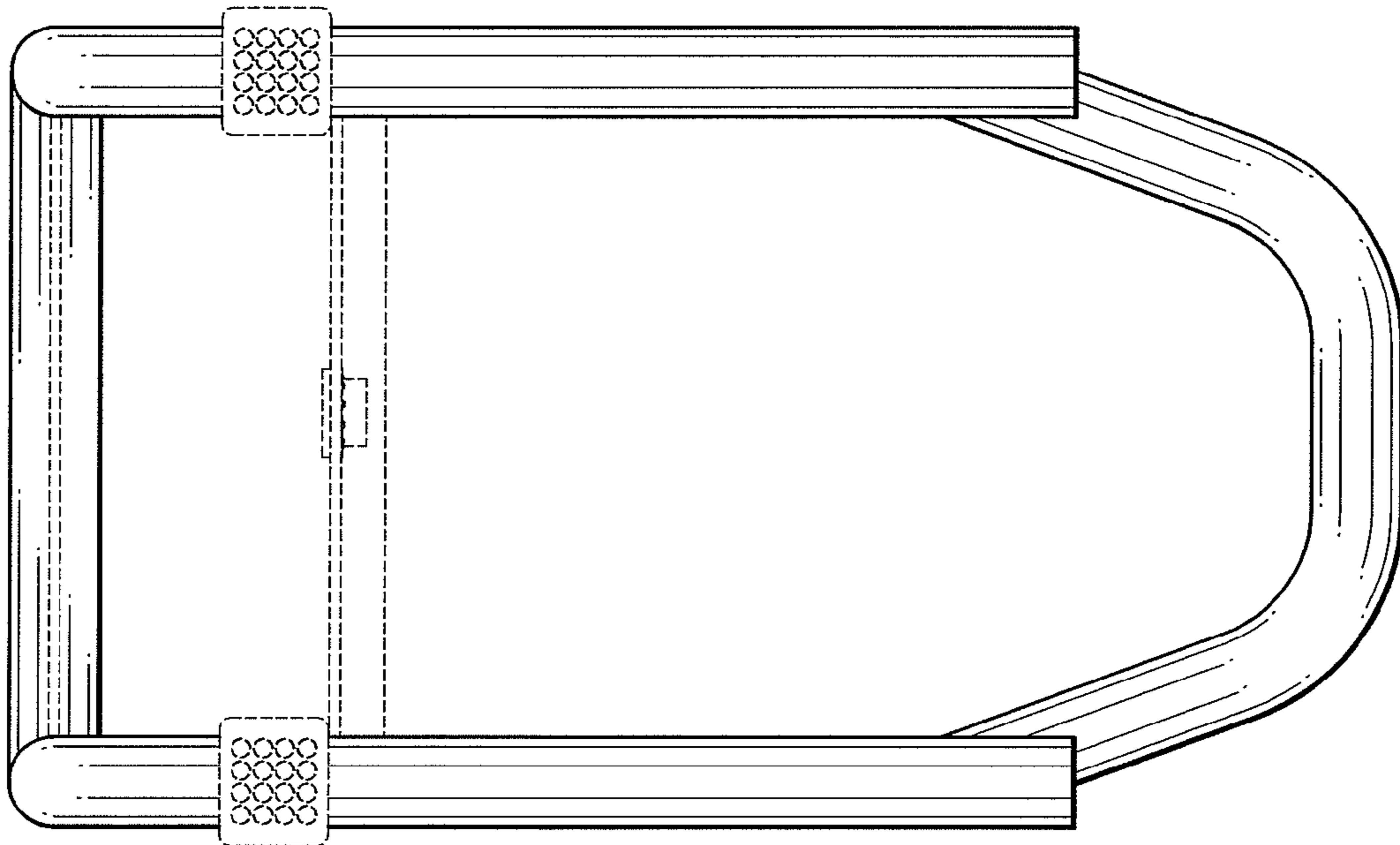


FIG. 7

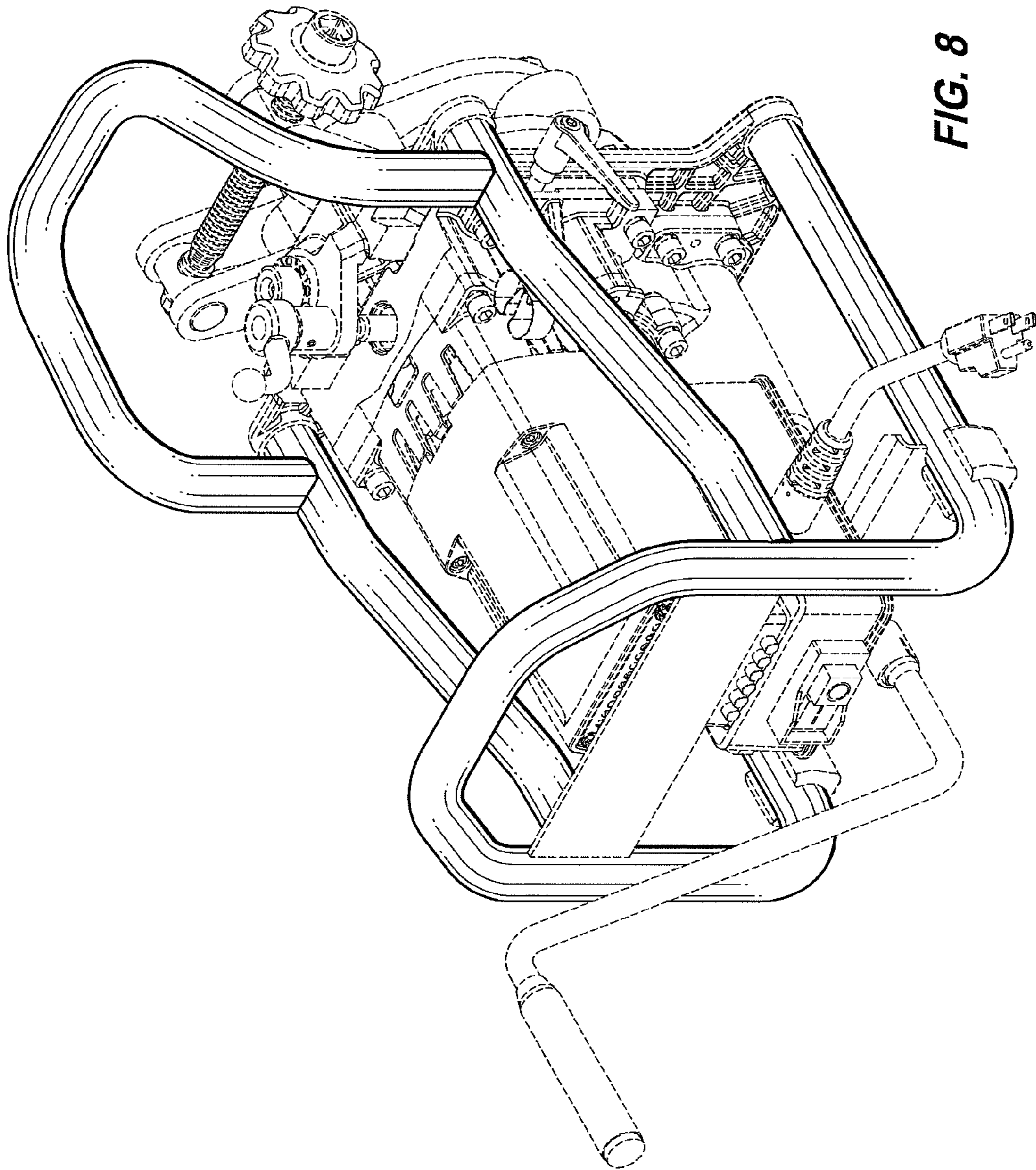


FIG. 8