



US00D744557S

(12) **United States Design Patent**  
**Koike**

(10) **Patent No.:** **US D744,557 S**

(45) **Date of Patent:** **\*\* Dec. 1, 2015**

(54) **CUTTING INSERT**

(71) Applicant: **Sumitomo Electric Hardmetal Corp.**,  
Itami (JP)

(72) Inventor: **Yusuke Koike**, Itami (JP)

(73) Assignee: **SUMITOMO ELECTRIC  
HARDMETAL CORP.**, Itami-shi (JP)

(\*\*) Term: **14 Years**

(21) Appl. No.: **29/508,970**

(22) Filed: **Nov. 12, 2014**

(30) **Foreign Application Priority Data**

May 12, 2014 (JP) ..... D2014-010116  
May 12, 2014 (JP) ..... D2014-010122  
May 12, 2014 (JP) ..... D2014-010123

(51) **LOC (10) Cl.** ..... **15-09**

(52) **U.S. Cl.**  
USPC ..... **D15/139**

(58) **Field of Classification Search**  
USPC ..... D15/139, 140, 138; D7/70, 20;  
407/113, 114  
CPC ..... B23B 27/145; B23B 27/1622; B23B  
2200/048; B23B 2200/204; B23B 2200/085;  
B23B 2200/0423; B23C 5/207; B23C 5/205;  
B23C 2200/125; B23C 2200/0416; B23C  
2200/0477; B23C 2200/0494  
See application file for complete search history.

(56) **References Cited**

**U.S. PATENT DOCUMENTS**

4,629,371 A \* 12/1986 Maeda et al. .... 407/114  
5,954,459 A \* 9/1999 Noguchi et al. .... 407/113  
D425,086 S \* 5/2000 Bernadic et al. .... D15/139  
D687,078 S \* 7/2013 Shibata et al. .... D15/139  
D692,036 S \* 10/2013 Schleicher et al. .... D15/139  
D705,828 S \* 5/2014 Imai et al. .... D15/139

(Continued)

*Primary Examiner* — Susan Bennett Hattan

*Assistant Examiner* — Brett Miller

(74) *Attorney, Agent, or Firm* — Venable LLP; Michael A.  
Sartori; Tamatane J. Aga

(57) **CLAIM**

The ornamental design for a cutting insert, as shown and  
described.

**DESCRIPTION**

FIG. 1 is a top perspective view of a first embodiment of a  
cutting insert showing my new design;

FIG. 2 is a front view thereof;

FIG. 3 is a rear view thereof;

FIG. 4 is a left side view thereof;

FIG. 5 is a right side view thereof;

FIG. 6 is a top view thereof;

FIG. 7 is a bottom view thereof;

FIG. 8 is a cross-sectional view thereof, taken along line 8-8  
in FIG. 6;

FIG. 9 is a top perspective view of a second embodiment of a  
cutting insert showing my new design;

FIG. 10 is a front view thereof;

FIG. 11 is a rear view thereof;

FIG. 12 is a left side view thereof;

FIG. 13 is a right side view thereof;

FIG. 14 is a top view thereof;

FIG. 15 is a bottom view thereof;

FIG. 16 is a cross-sectional view thereof, taken along line  
16-16 in FIG. 14;

FIG. 17 is a top perspective view of a third embodiment of a  
cutting insert showing my new design;

FIG. 18 is a front view thereof;

FIG. 19 is a rear view thereof;

FIG. 20 is a left side view thereof;

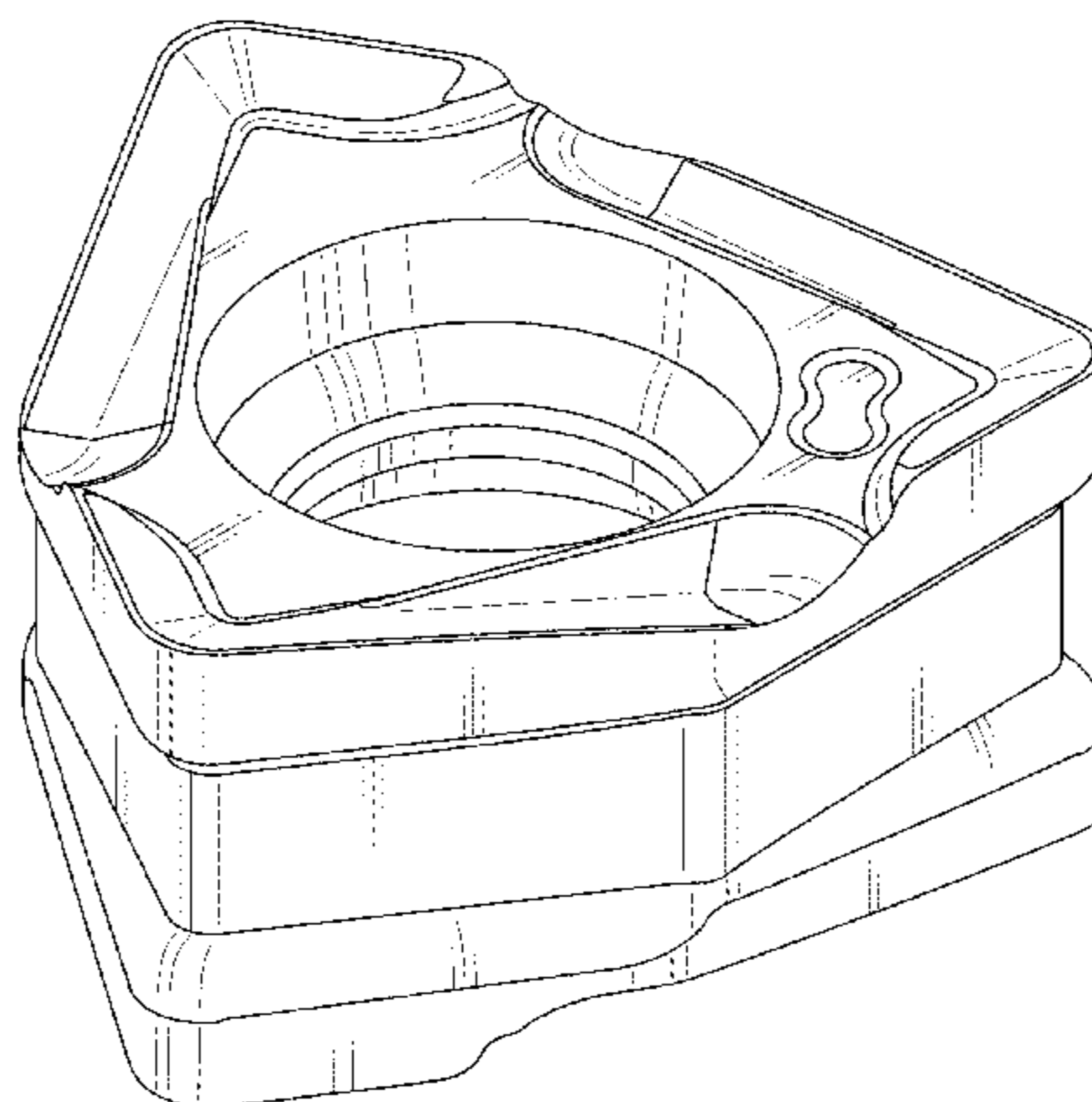
FIG. 21 is a right side view thereof;

FIG. 22 is a top view thereof;

FIG. 23 is a bottom view thereof; and,

FIG. 24 is a cross-sectional view thereof, taken along line  
24-24 in FIG. 22.

**1 Claim, 18 Drawing Sheets**



(56)

**References Cited**

U.S. PATENT DOCUMENTS

D709,540 S \* 7/2014 Jung ..... D15/139  
D714,849 S \* 10/2014 Choi et al. .... D15/139  
2007/0071559 A1\* 3/2007 Koskinen ..... 407/114  
2013/0108383 A1\* 5/2013 Scheicher ..... 407/113

2013/0129430 A1\* 5/2013 Bhagath et al. .... 407/113  
2013/0129433 A1\* 5/2013 Matsumoto et al. .... 407/114  
2014/0010605 A1\* 1/2014 Smilovici et al. .... 407/113  
2014/0212228 A1\* 7/2014 Horiike et al. .... 407/114  
2014/0314509 A1\* 10/2014 Yamamichi ..... 407/114  
2014/0334890 A1\* 11/2014 Takahashi ..... 407/114  
2014/0377020 A1\* 12/2014 Kurokawa et al. .... 407/113

\* cited by examiner

Fig. 1

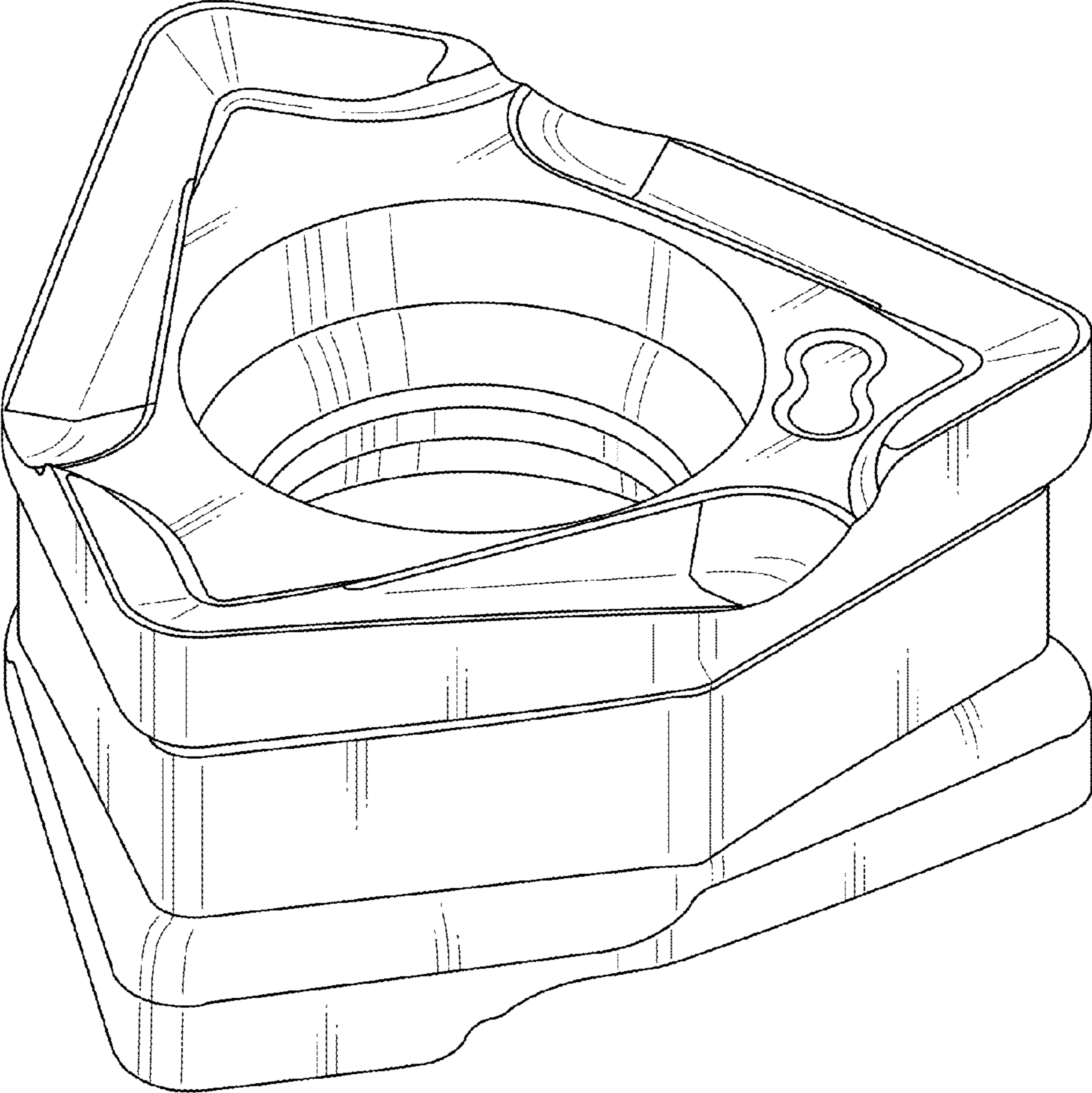


Fig. 2

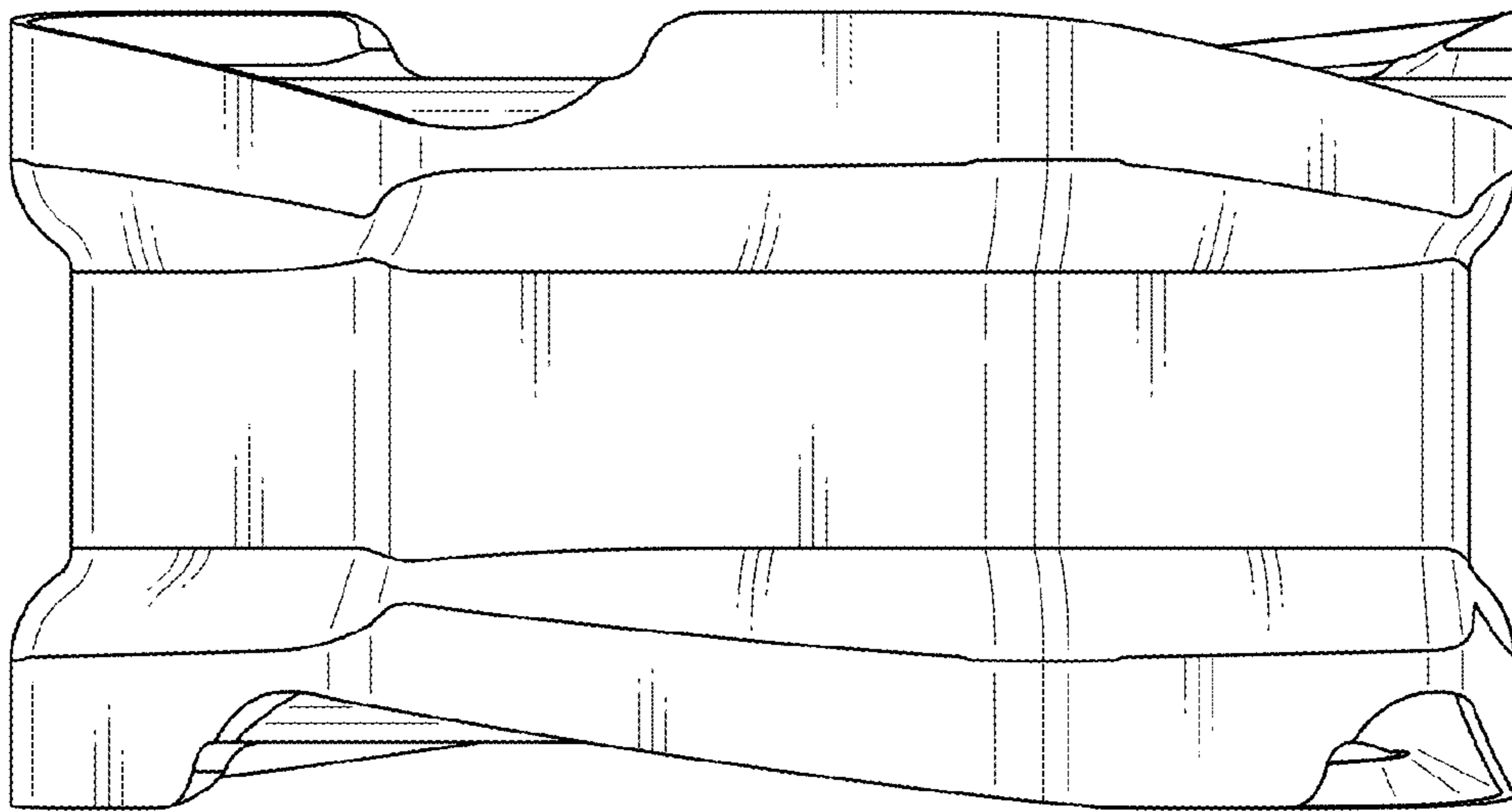


Fig. 3

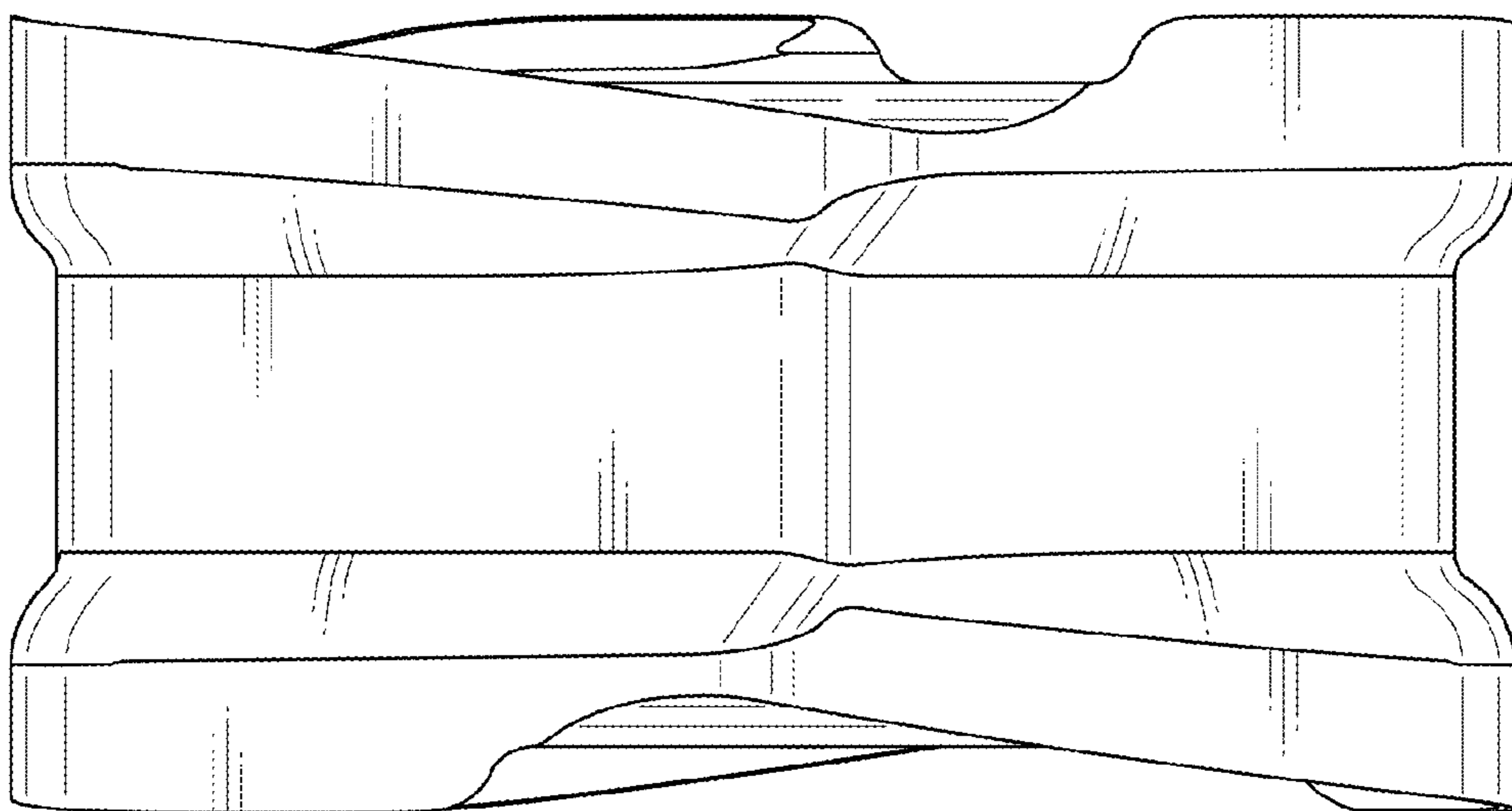


Fig. 4

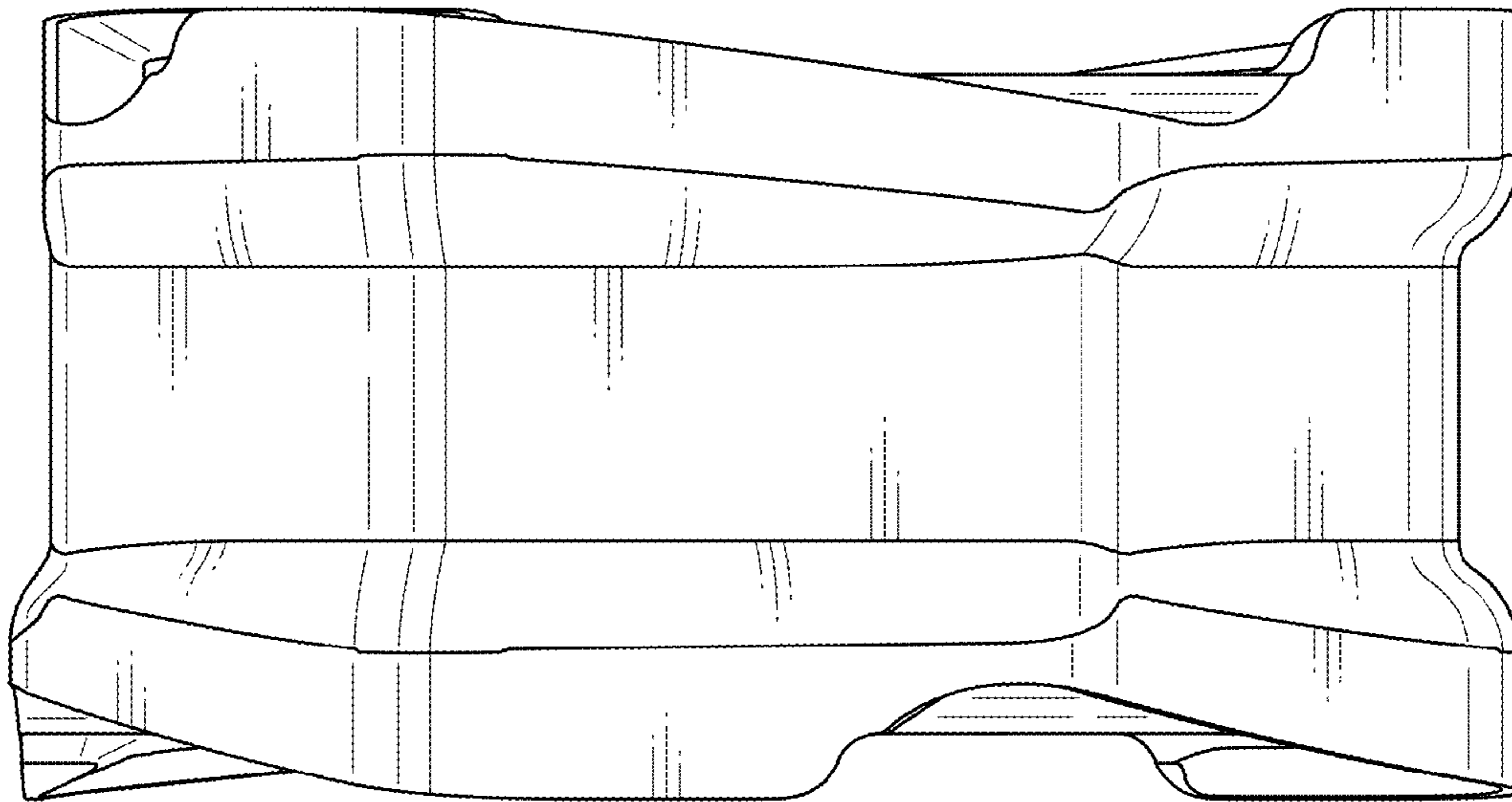


Fig. 5

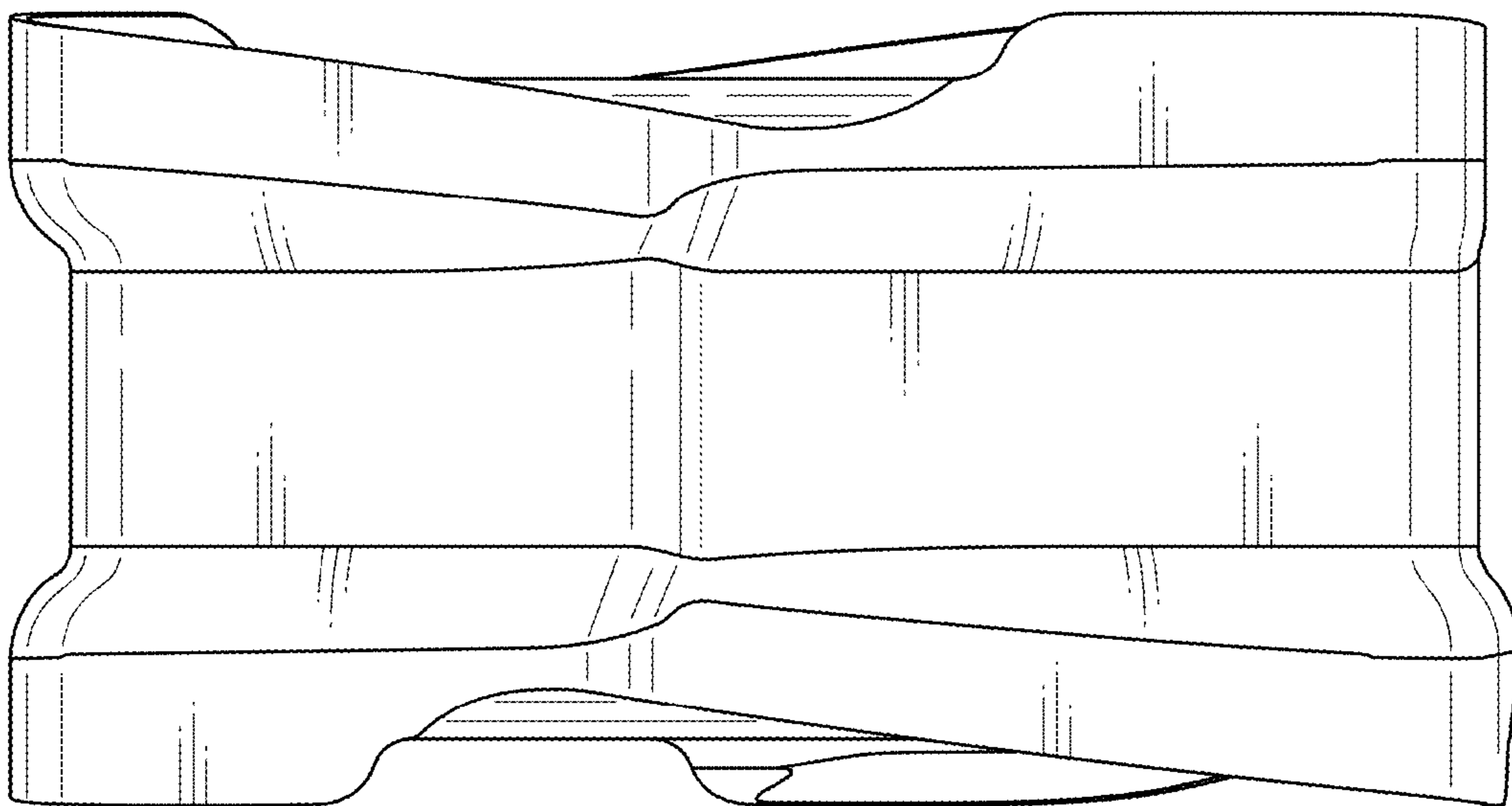


Fig. 6

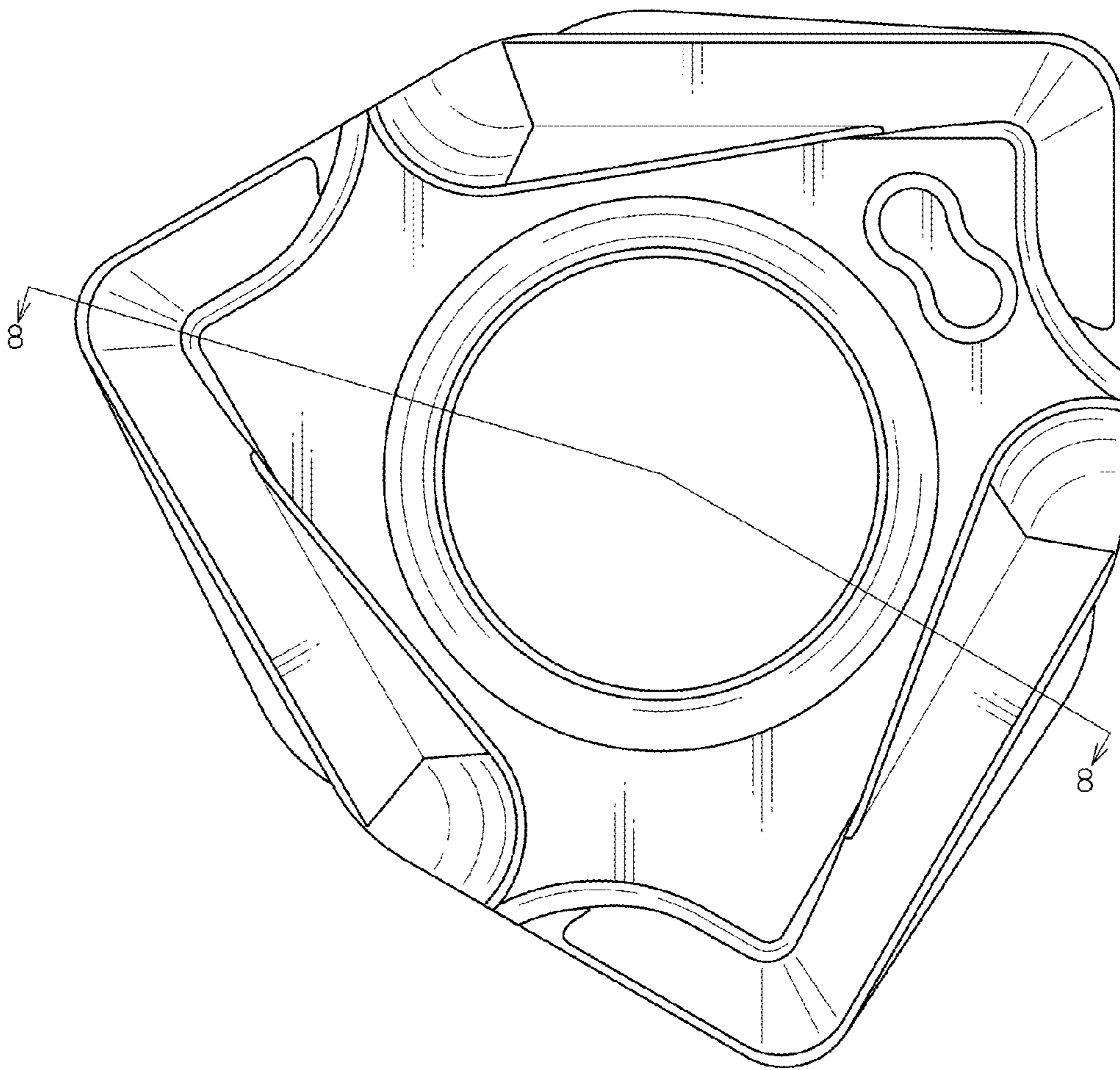


Fig. 7

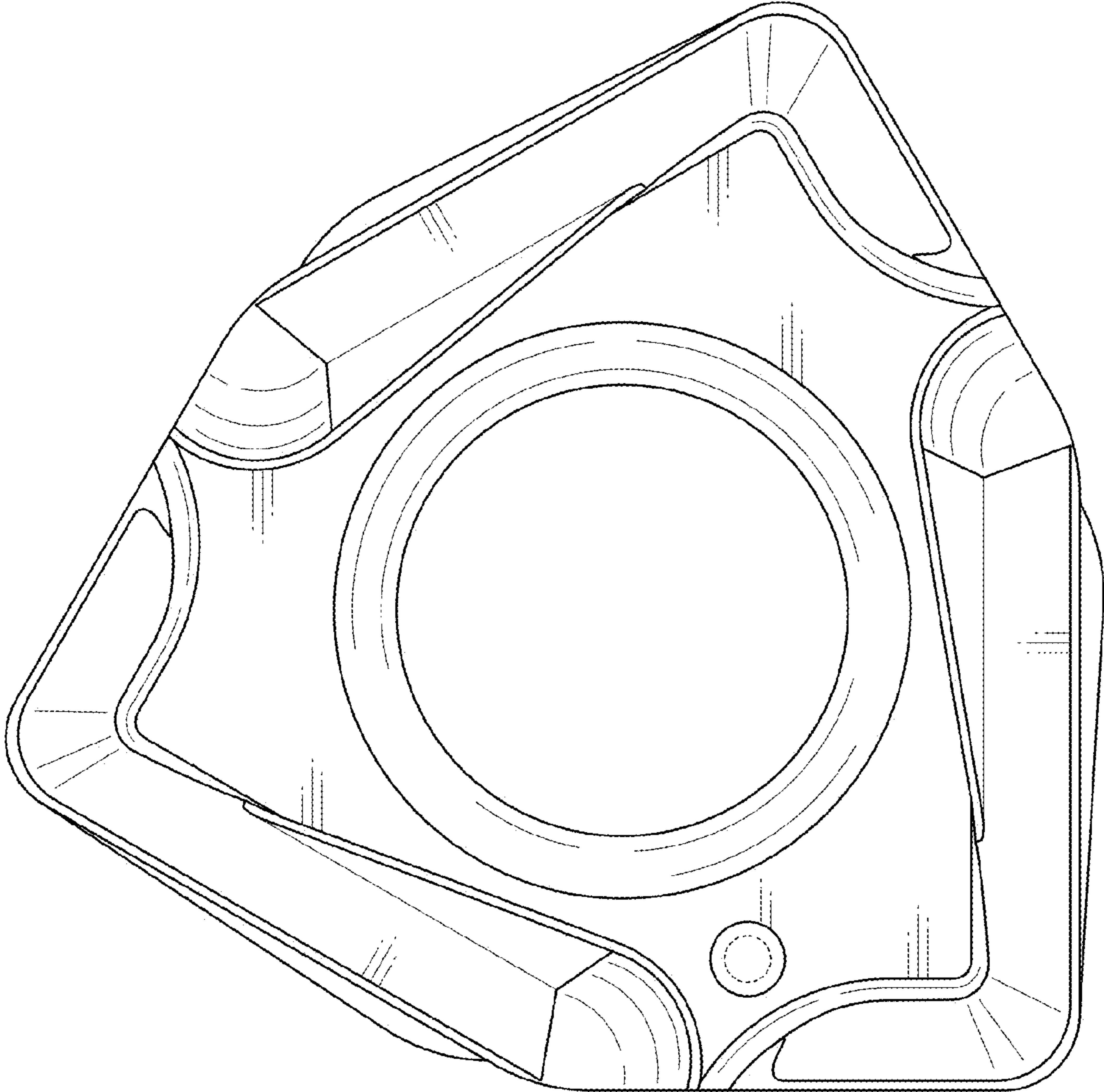


Fig. 8

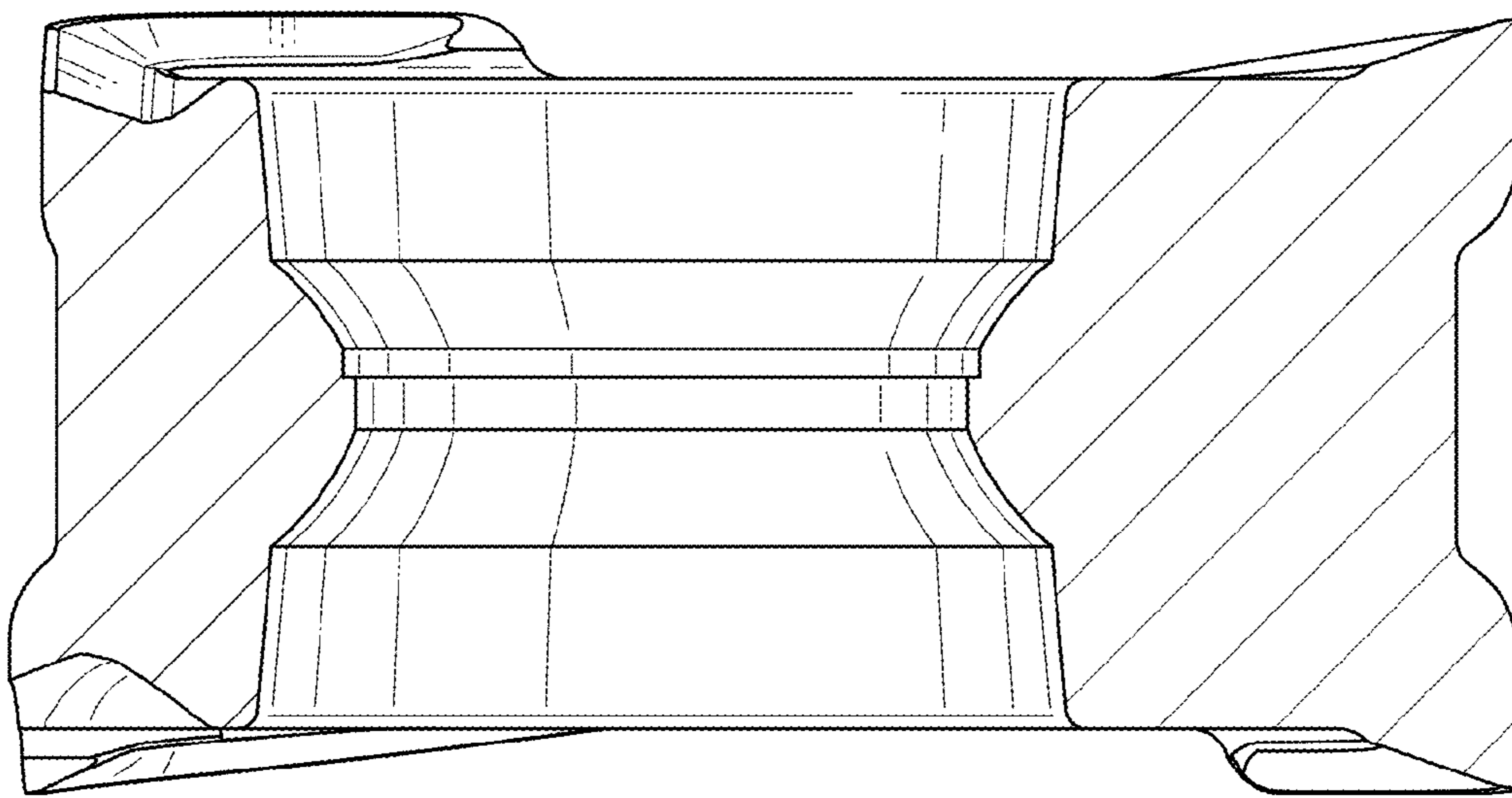




Fig. 9

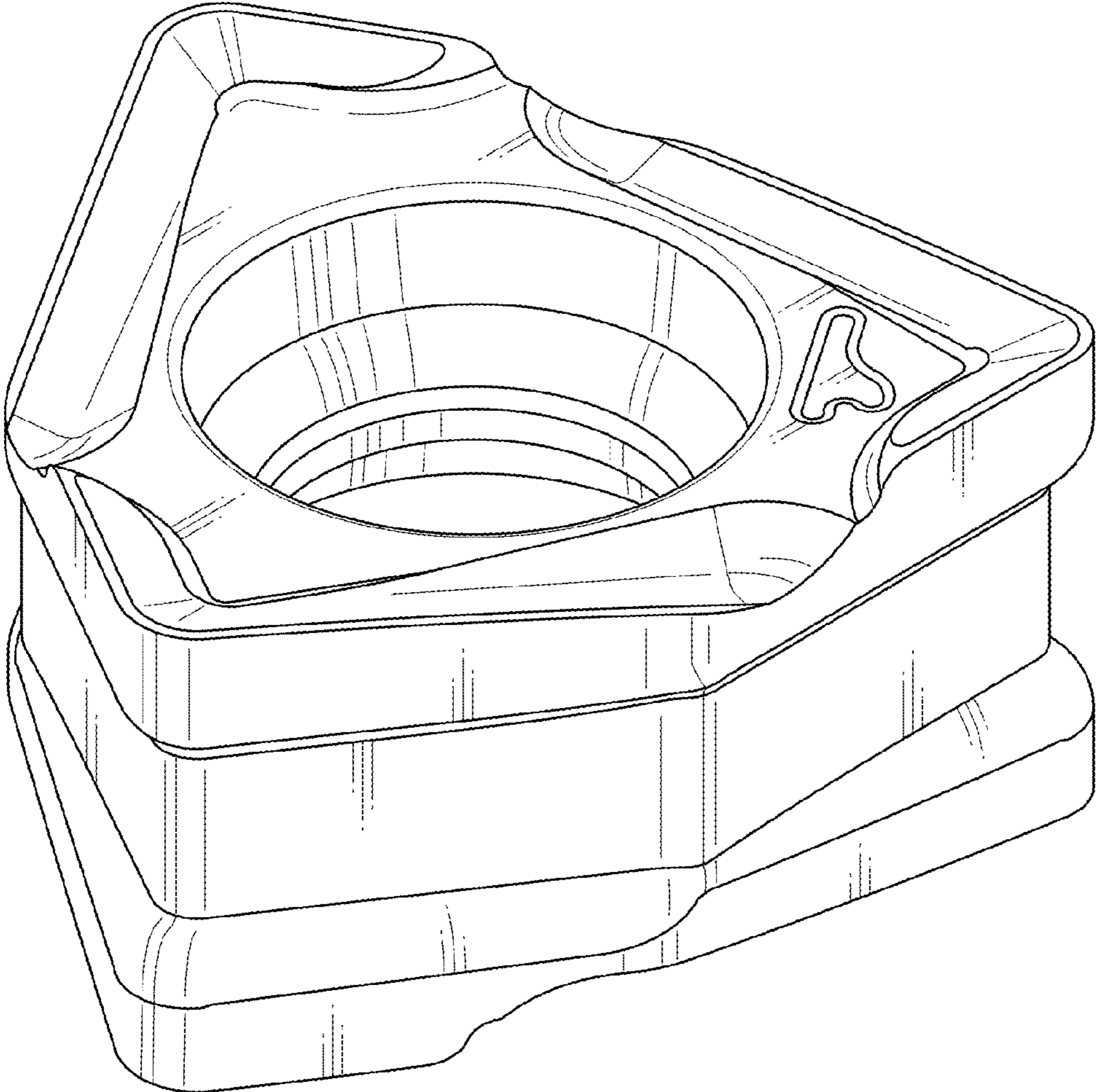


Fig. 10

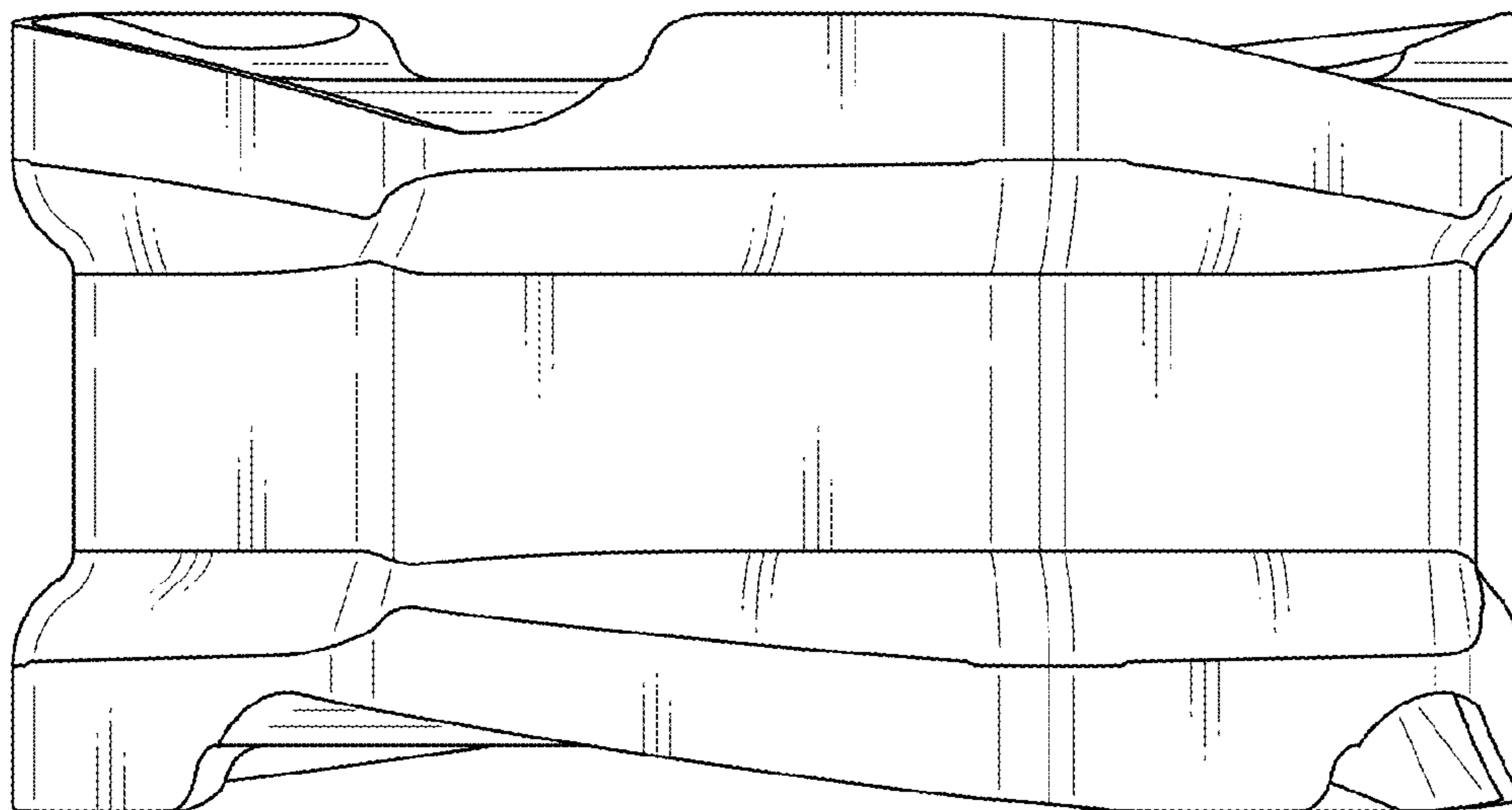


Fig. 11

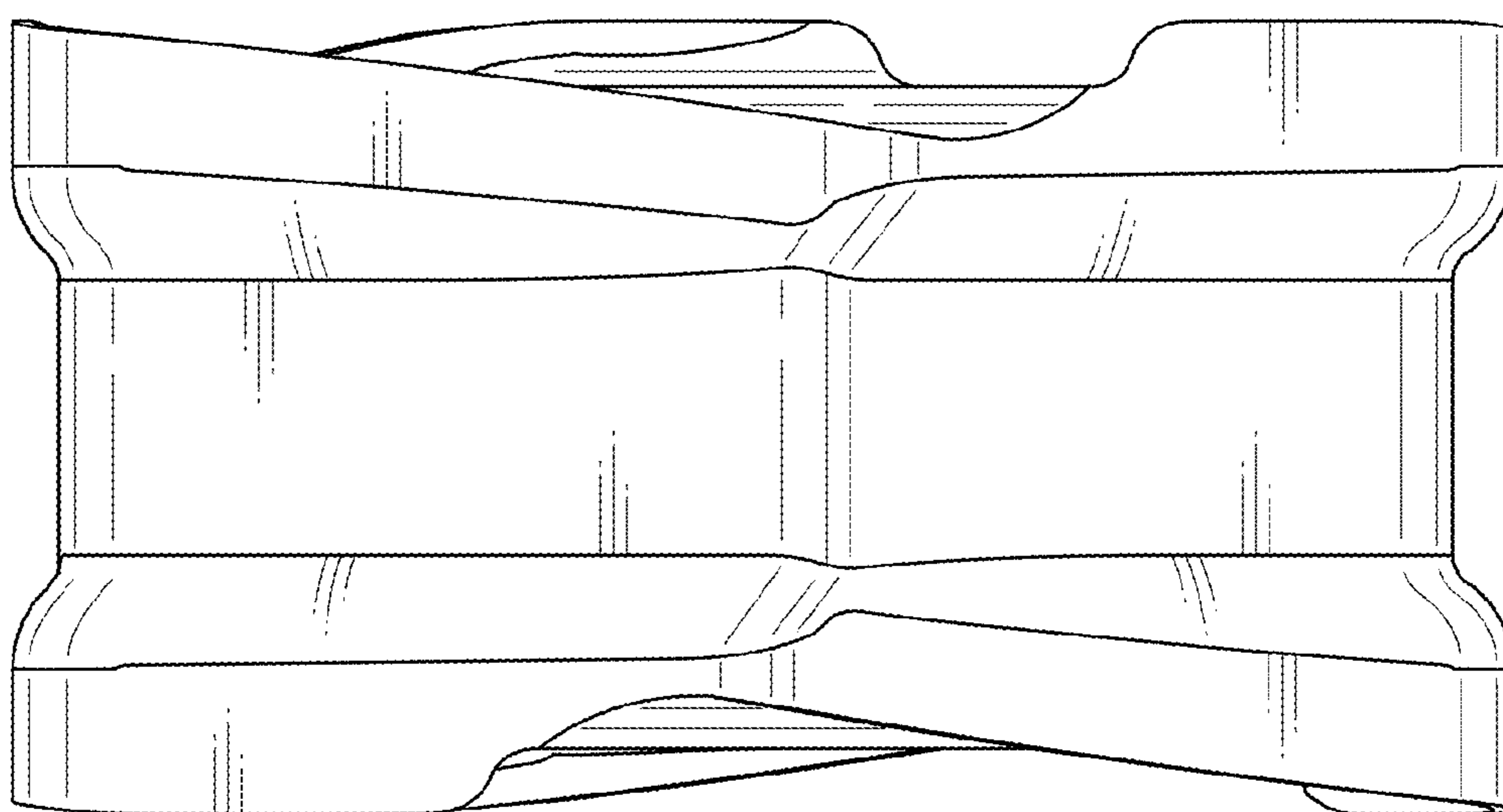


Fig. 12

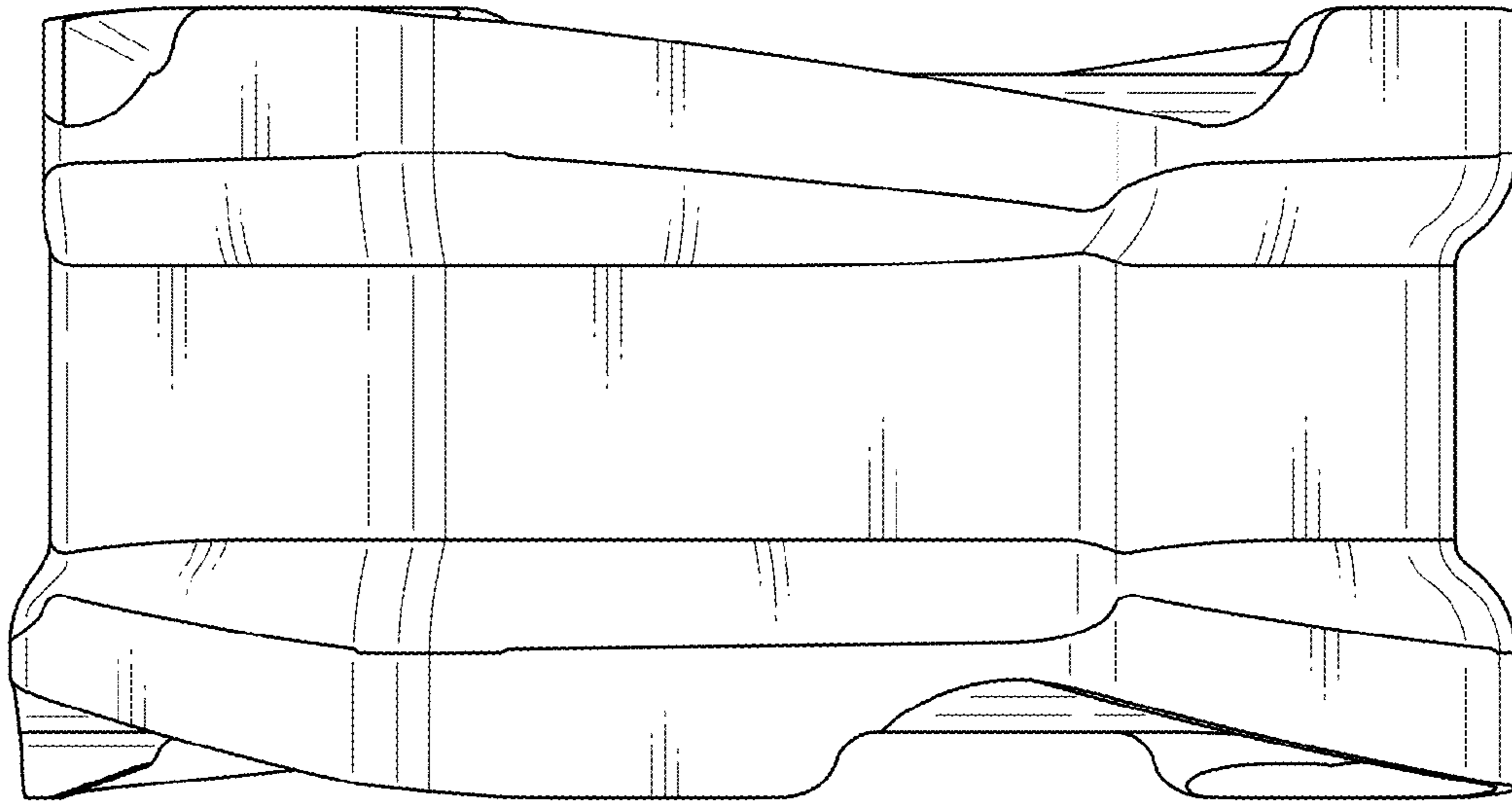


Fig. 13

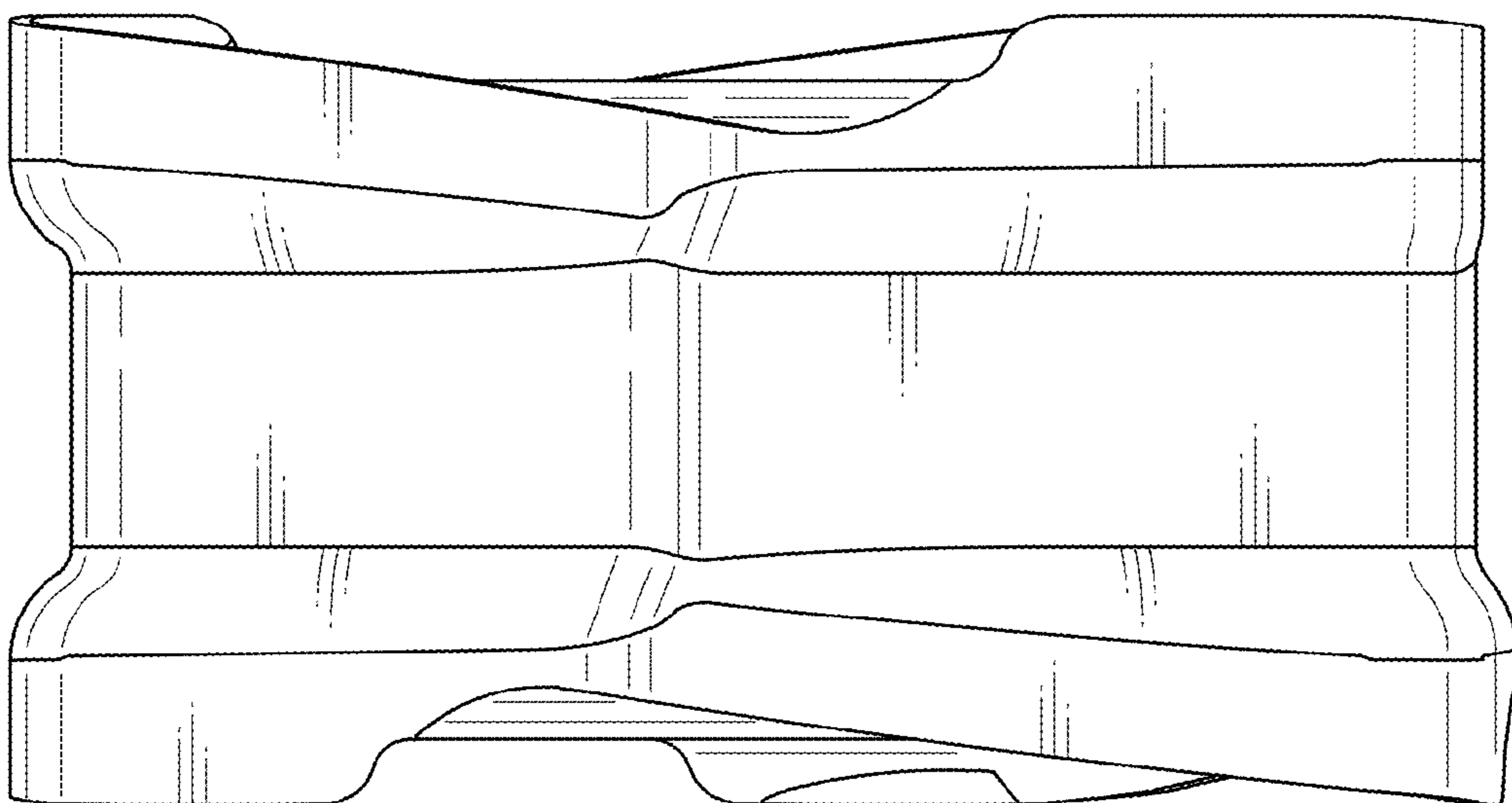


Fig. 14

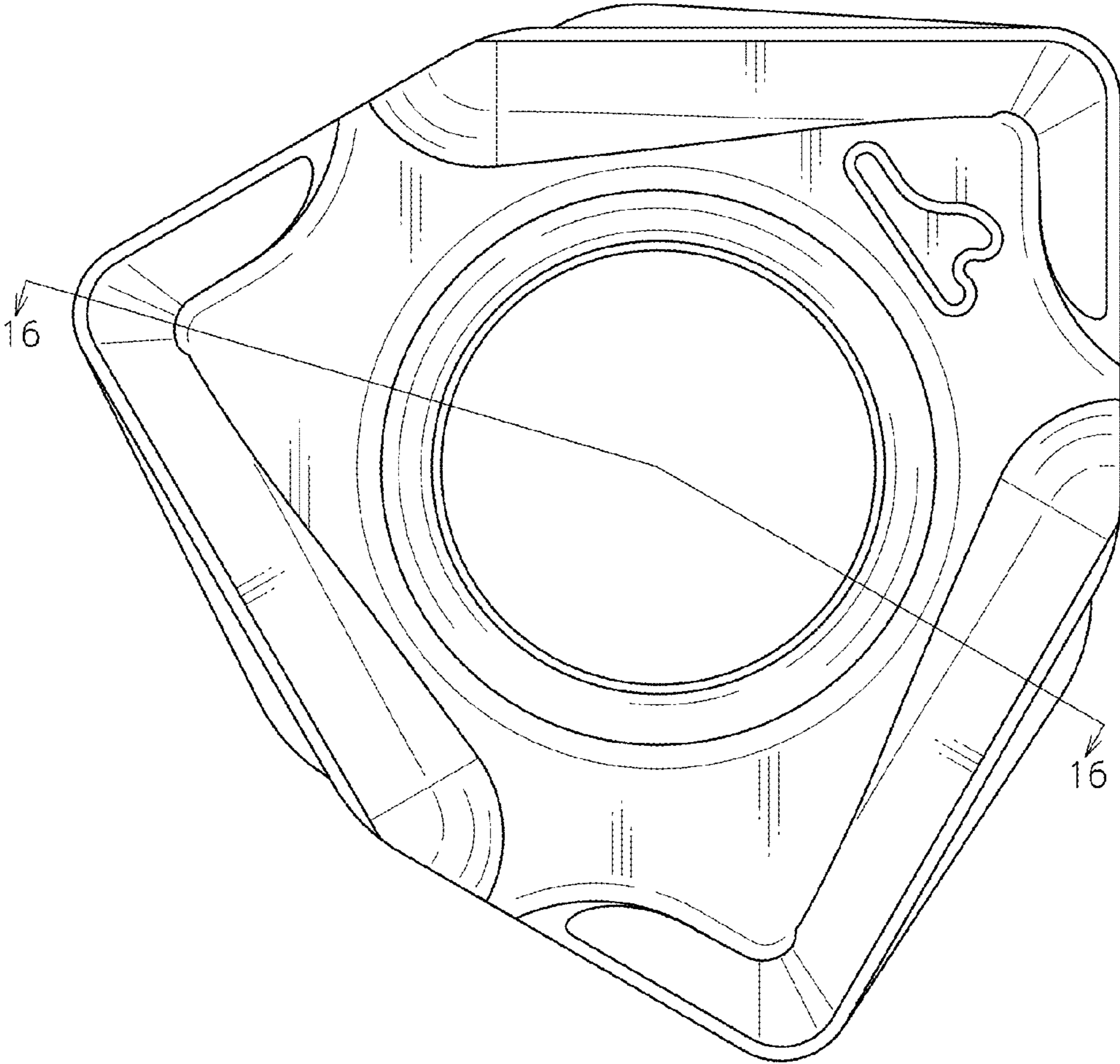


Fig. 15

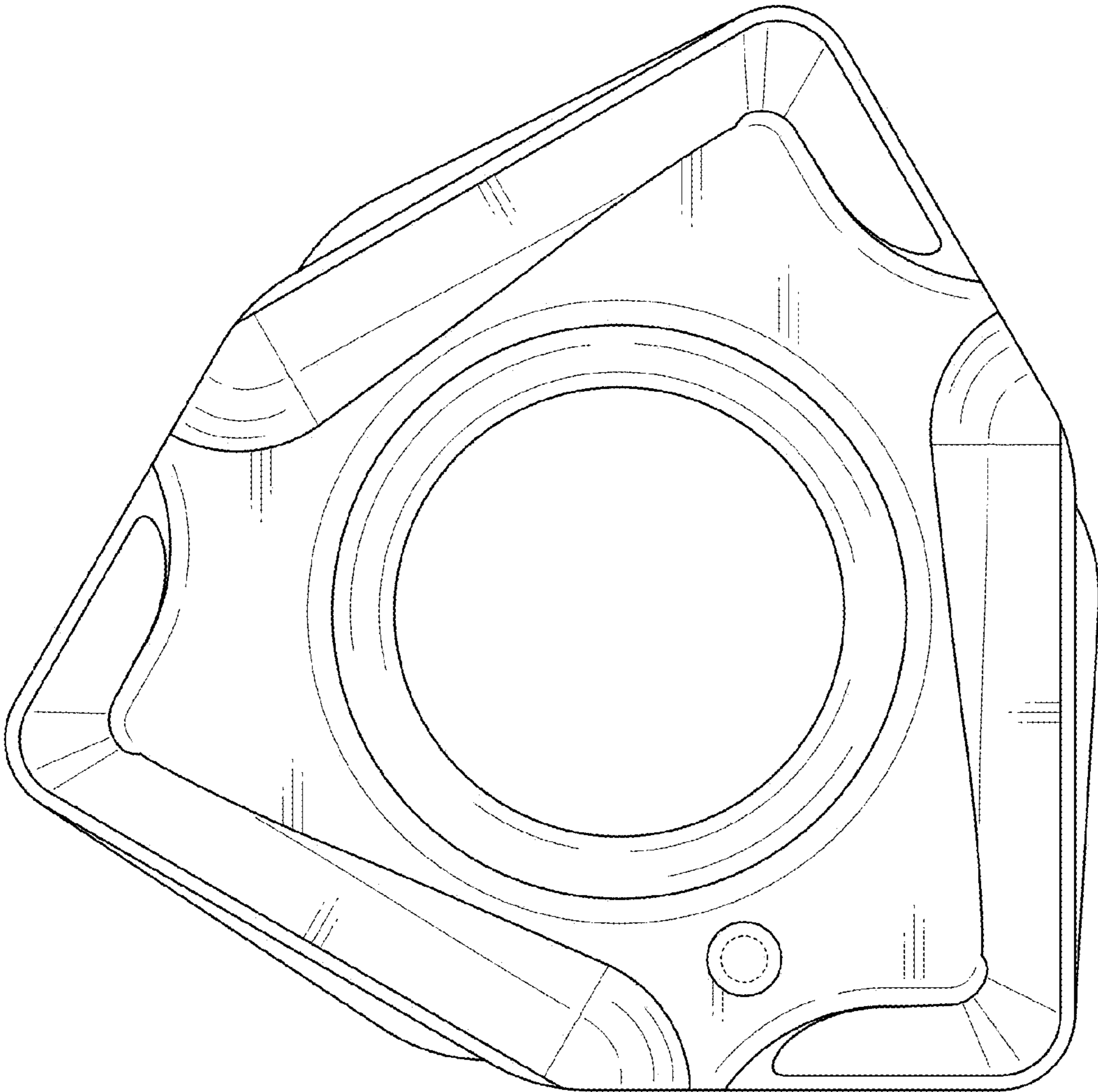


Fig. 16

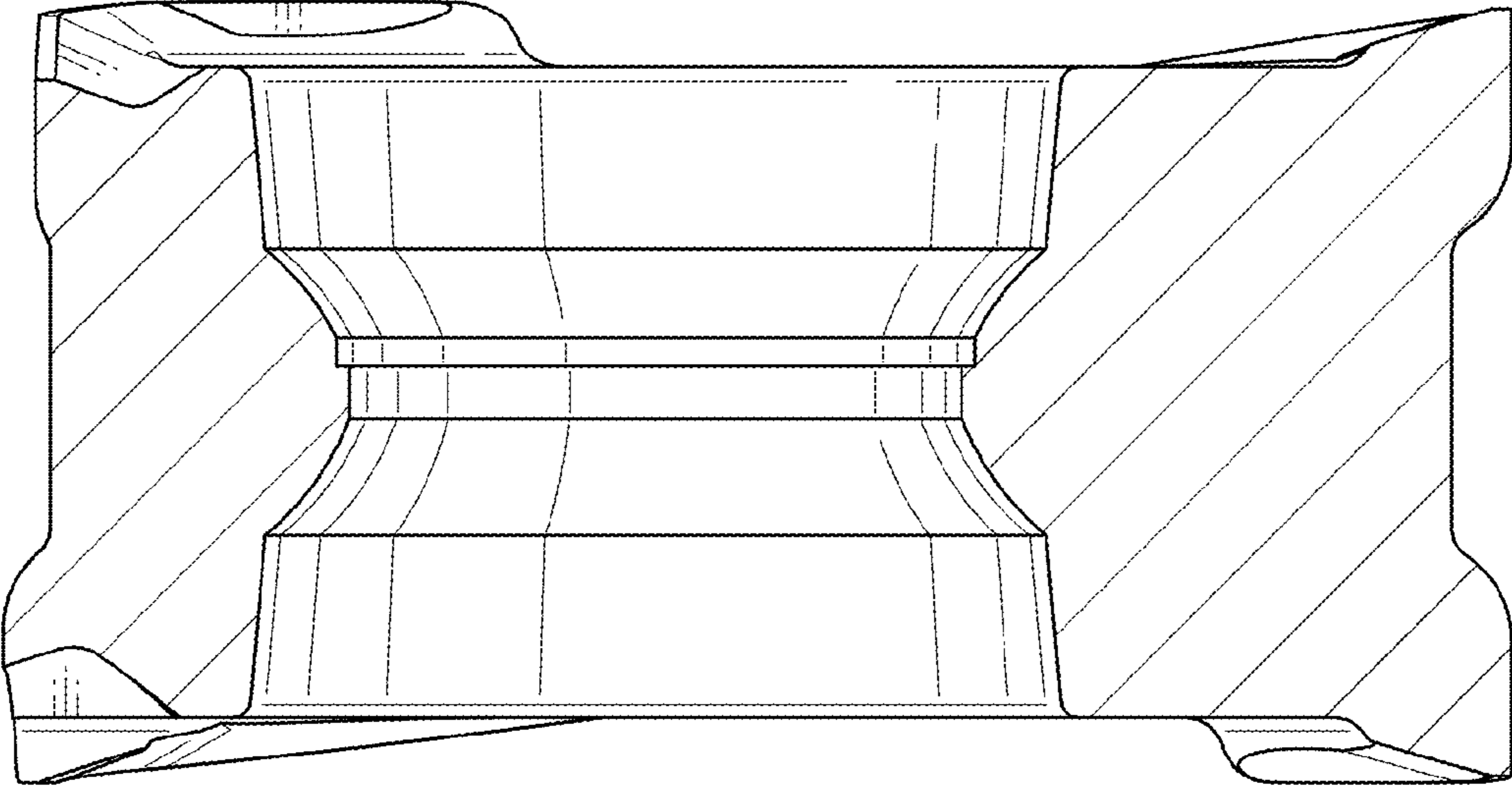


Fig. 17

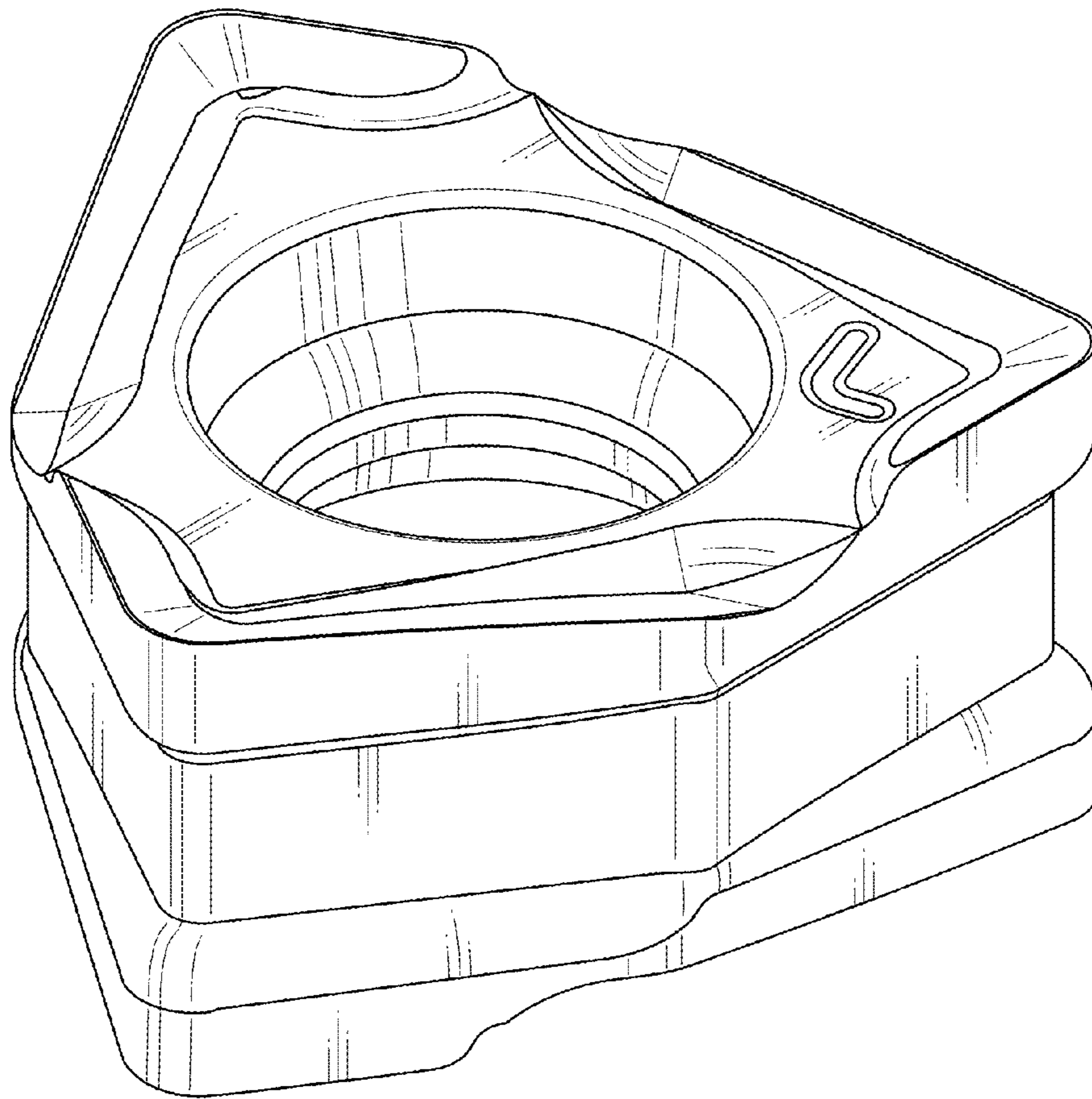


Fig. 18

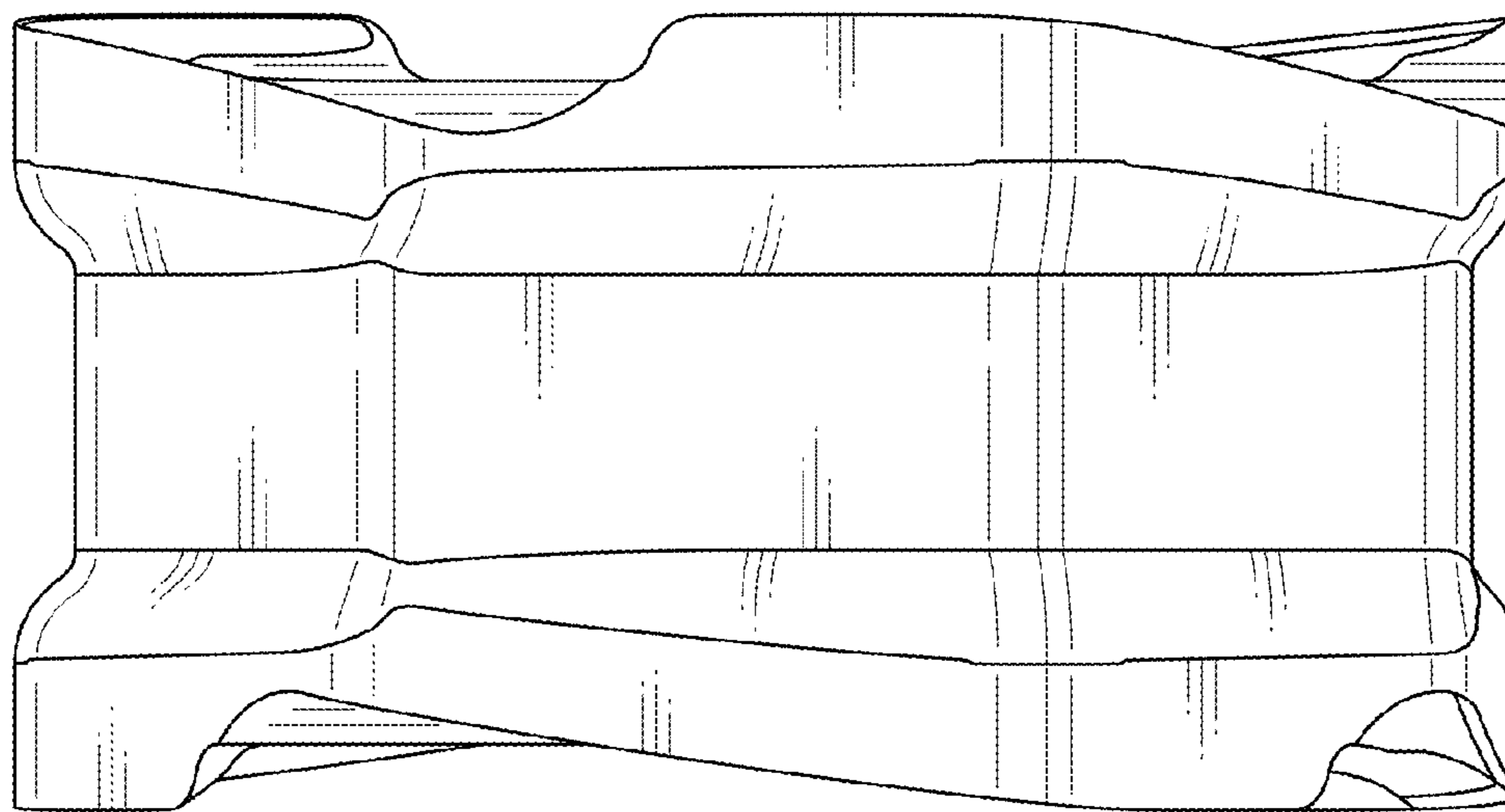


Fig. 19

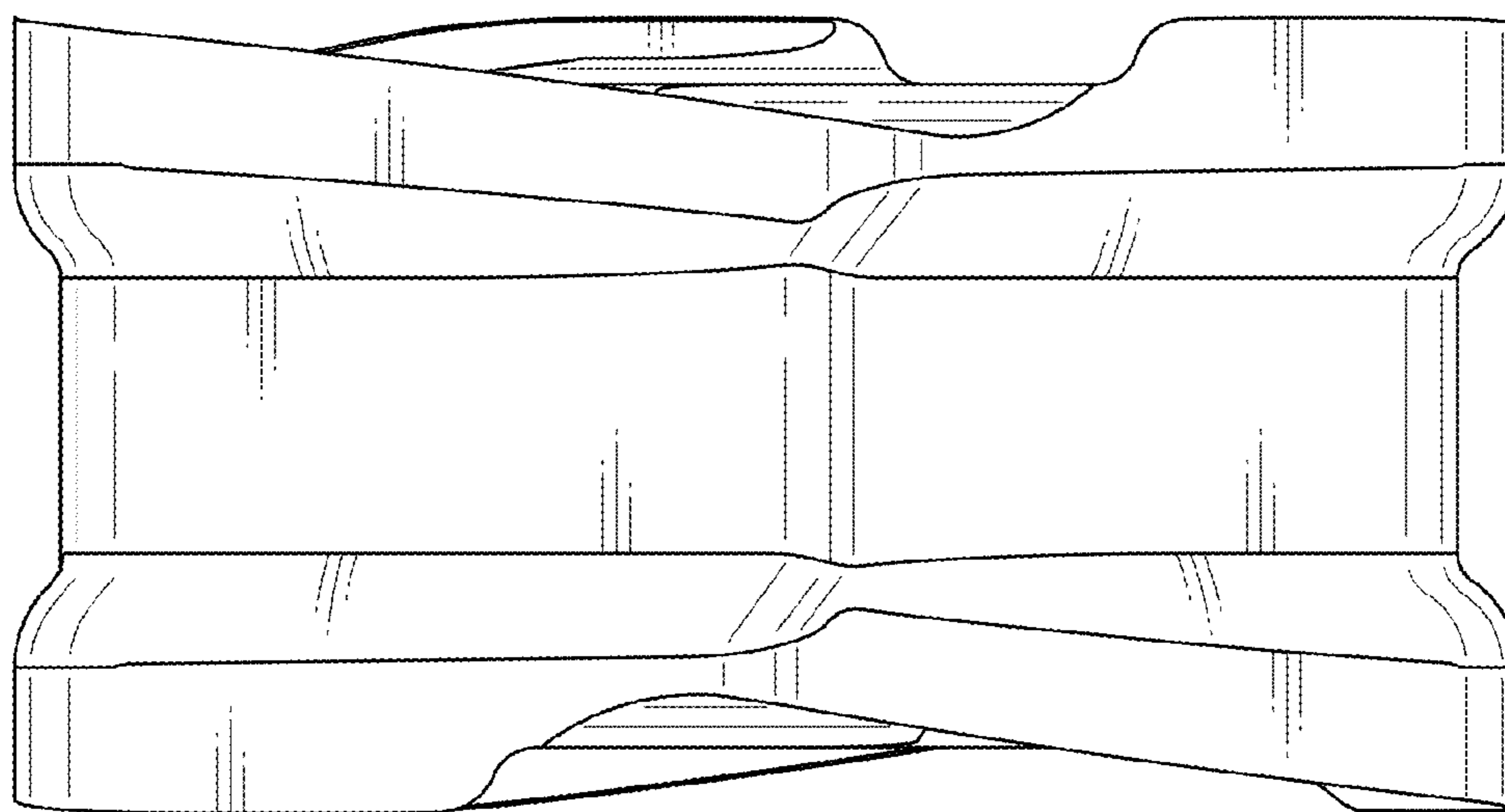




Fig. 20

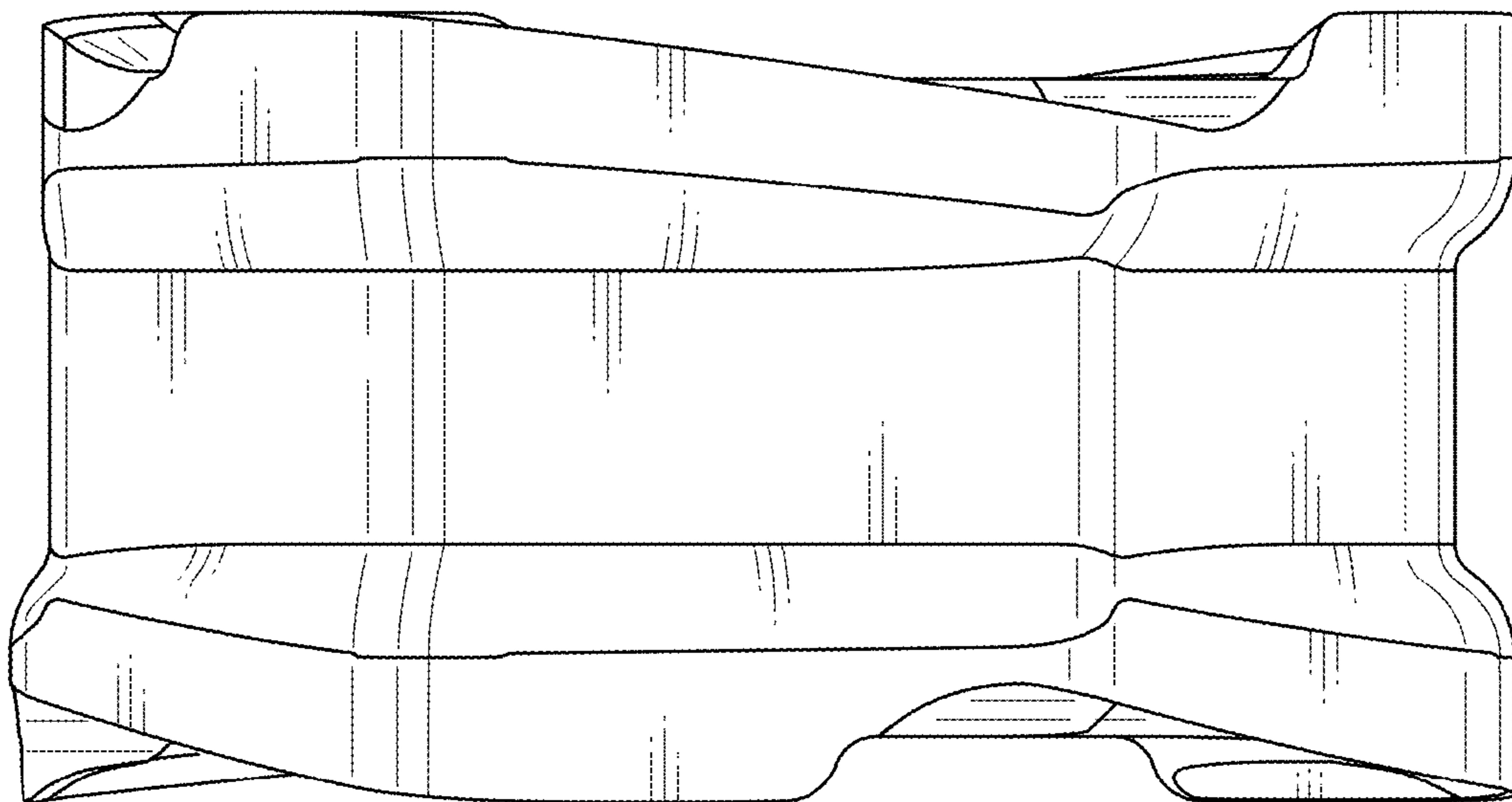


Fig. 21

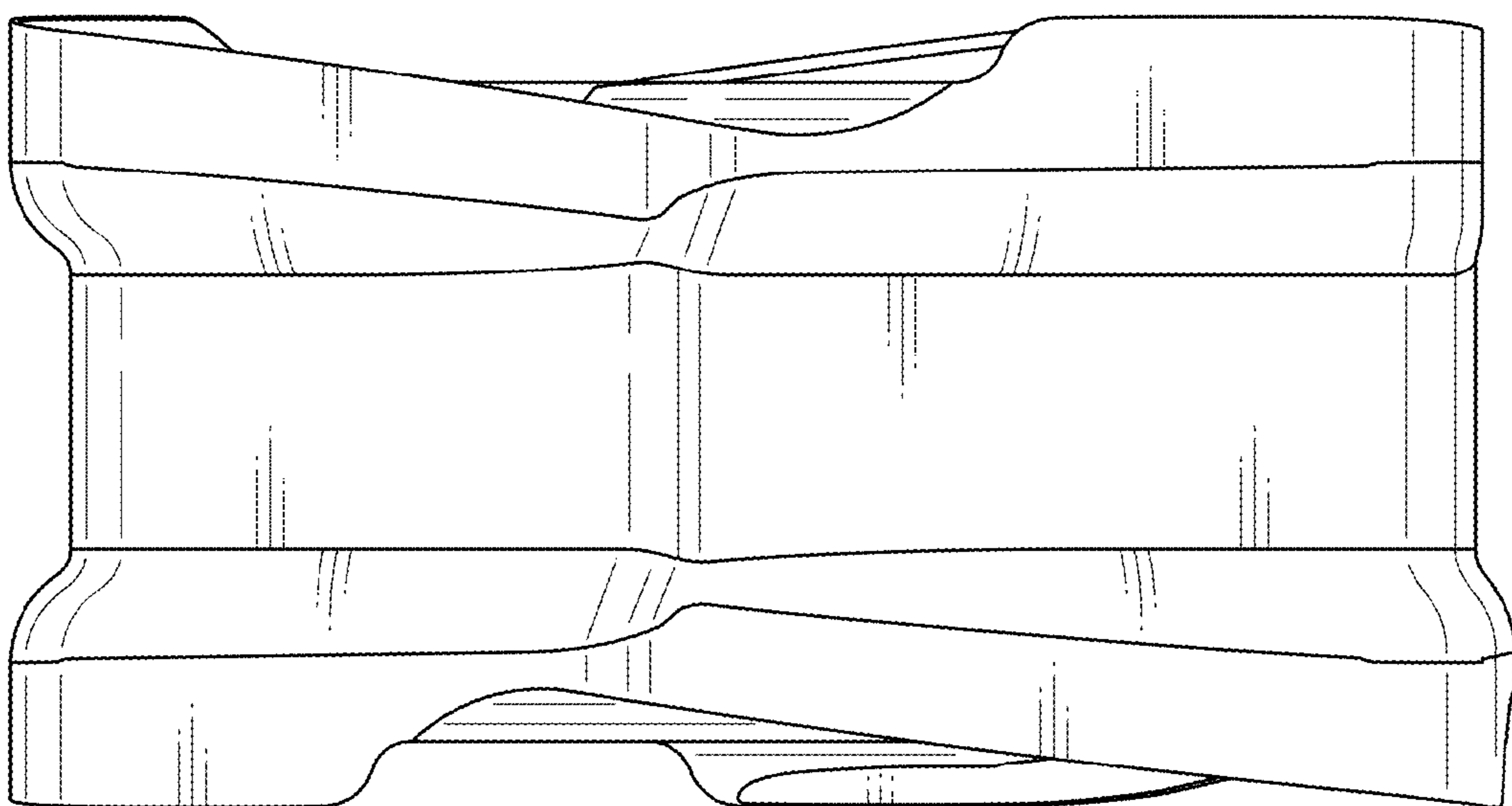


Fig. 22

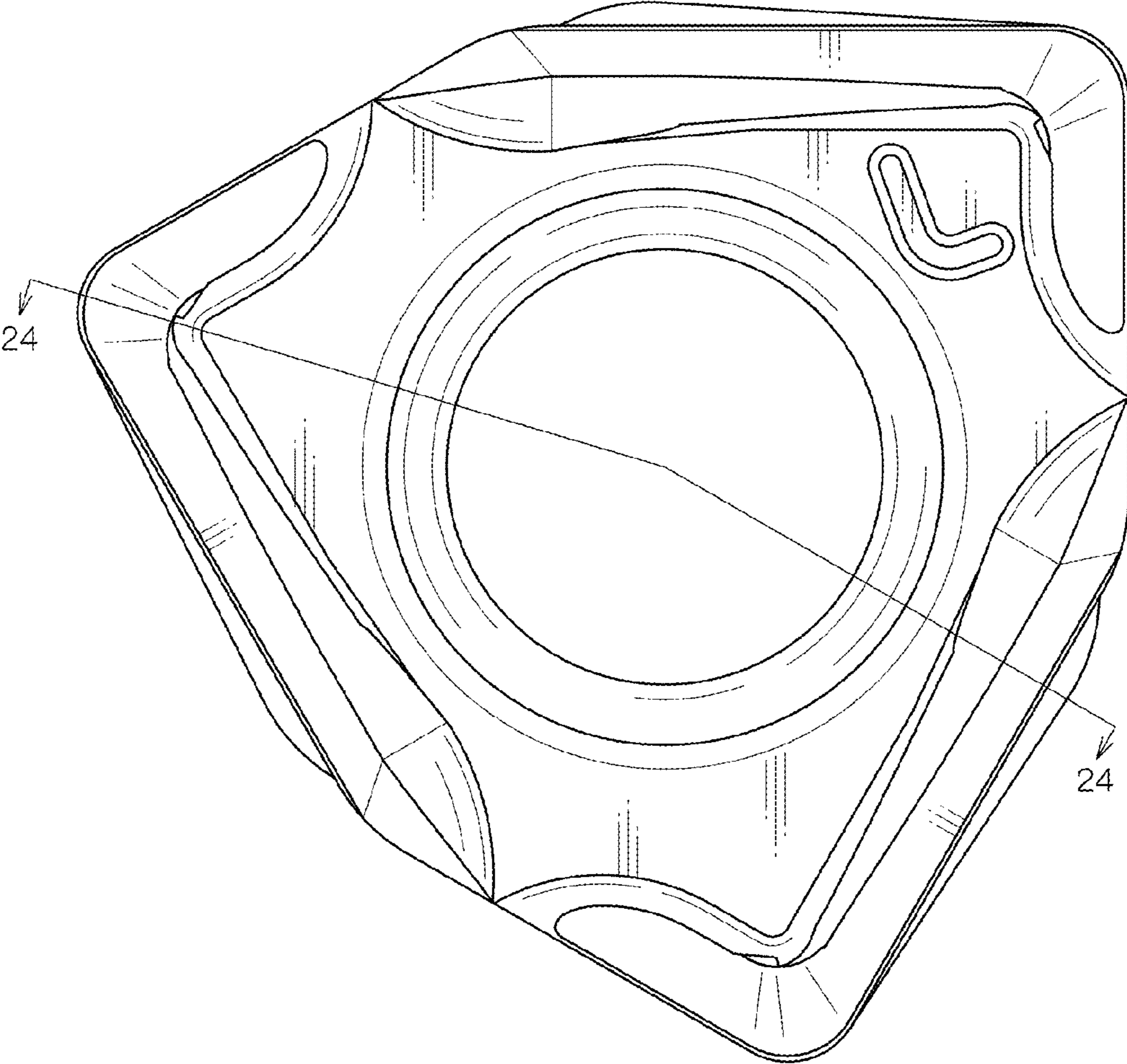


Fig. 23

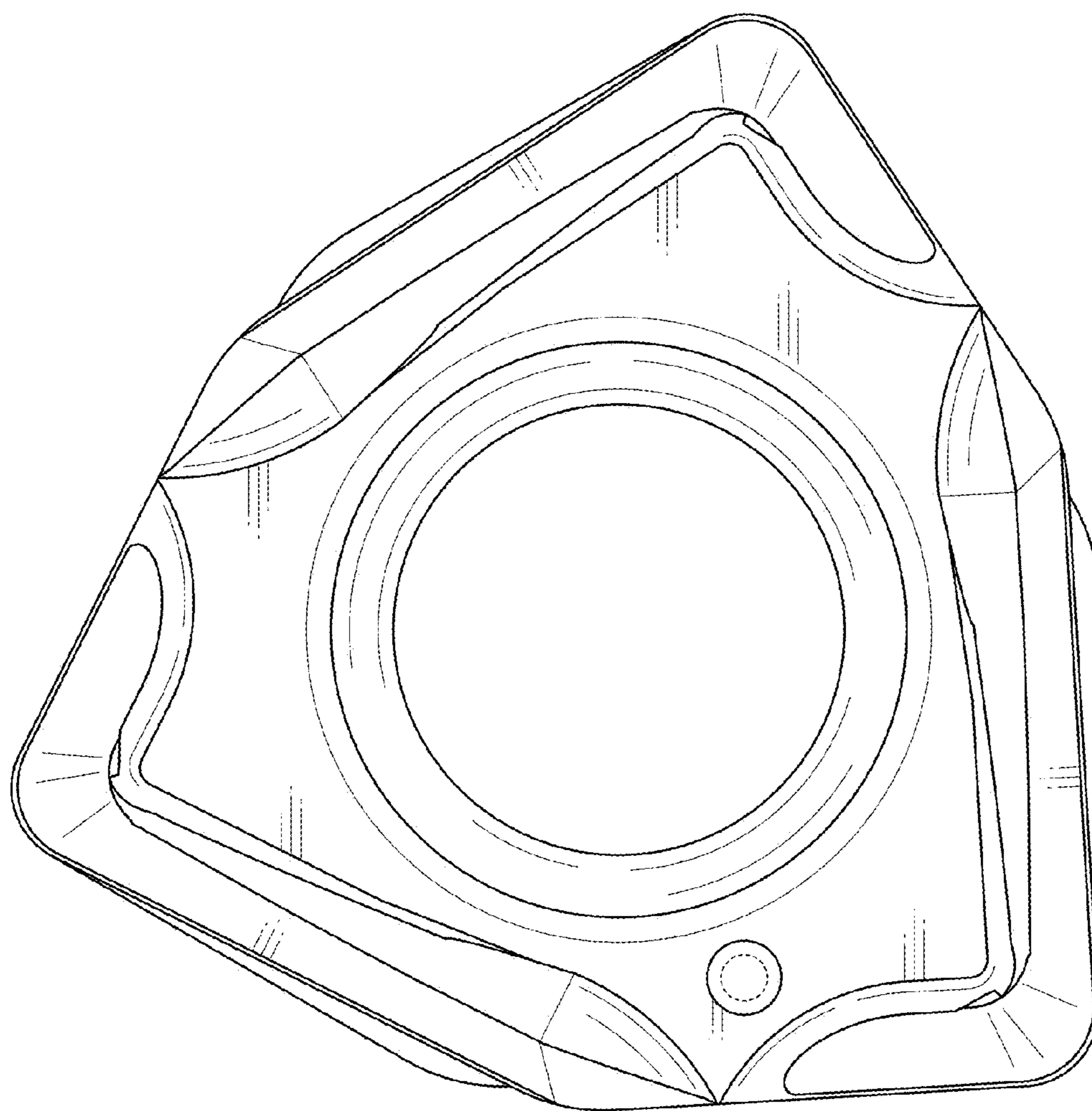


Fig. 24

