



US00D744556S

(12) **United States Design Patent**
Skrjanc et al.

(10) **Patent No.:** **US D744,556 S**

(45) **Date of Patent:** **** Dec. 1, 2015**

(54) **SWING ARM**

(56) **References Cited**

(71) Applicant: **Ridge Tool Company**, Elyria, OH (US)

U.S. PATENT DOCUMENTS

(72) Inventors: **Robert Skrjanc**, Lorain, OH (US);
Brandon Moherman, Lakewood, OH (US)

1,932,462 A	10/1933	Howlett	
2,291,395 A	7/1942	Levey	
2,561,484 A	7/1951	Shaw et al.	
2,842,238 A	7/1958	Shaw et al.	
2,870,536 A *	1/1959	Lutsker	30/102
3,088,352 A	5/1963	Tanner	
3,164,062 A	1/1965	Hogden et al.	
3,265,379 A	8/1966	Mighton	
3,386,337 A	6/1968	Spier	
3,501,872 A	3/1970	Harter	
3,541,826 A	11/1970	Halliburton	
3,585,704 A *	6/1971	Schoreder	D8/23

(73) Assignee: **RIDGE TOOL COMPANY**, Elyria, OH (US)

(**) Term: **14 Years**

(21) Appl. No.: **29/499,927**

(22) Filed: **Aug. 20, 2014**

(Continued)

Primary Examiner — Susan Bennett Hattan

Assistant Examiner — Brett Miller

(74) *Attorney, Agent, or Firm* — Mark E. Bandy; Rankin, Hill & Clark LLP

Related U.S. Application Data

(63) Continuation-in-part of application No. 14/452,646, filed on Aug. 6, 2014.

(57) **CLAIM**

The ornamental design for a swing arm, as shown and described.

(30) **Foreign Application Priority Data**

DESCRIPTION

Mar. 13, 2014 (IN) 1301/CHE/2014

(51) **LOC (10) Cl.** **15-09**

(52) **U.S. Cl.**
USPC **D15/138**

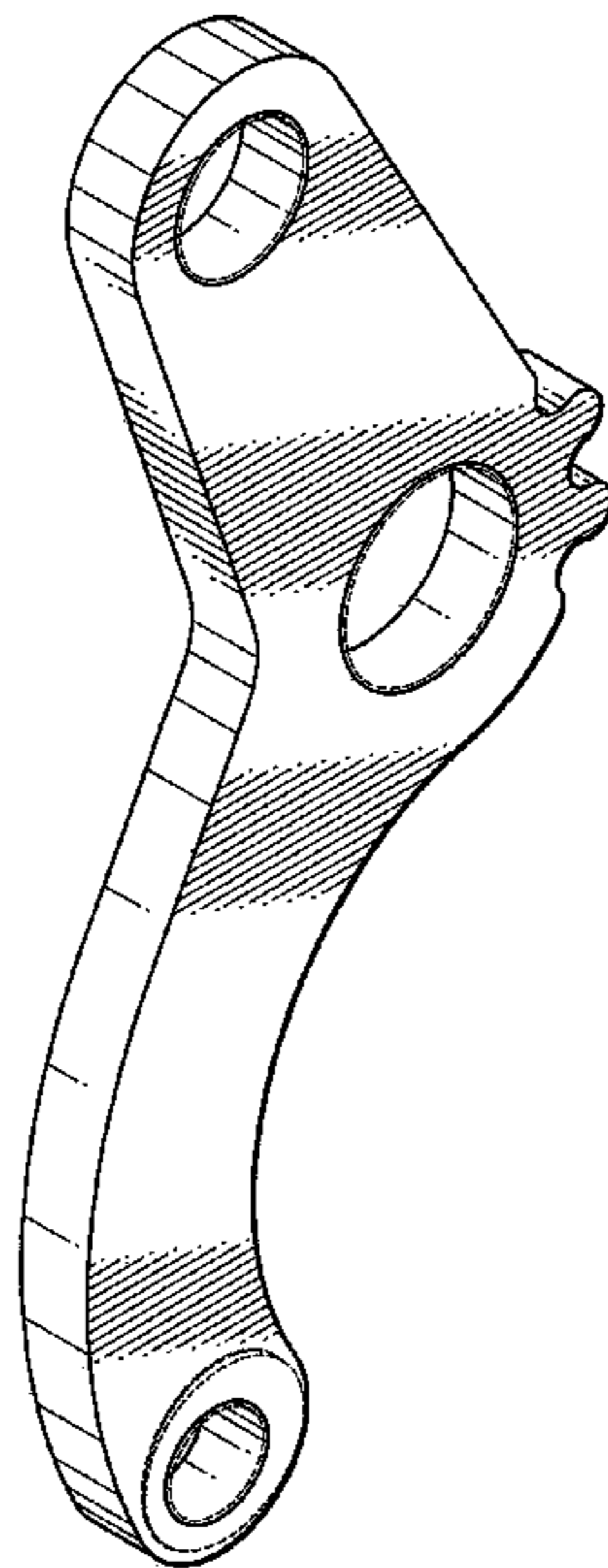
(58) **Field of Classification Search**
USPC D15/124–134, 138–143, 28–29, 9, 17;
D10/64, 65; D8/70, 8, 66, 16, 23, 52,
D8/60; D7/412; 82/113; 83/471.3
CPC B23D 45/044–45/048; B23D 5/162;
B23D 5/163; B21D 17/04; B23K 7/006;
Y10T 82/22

FIG. 1 is a front left perspective view of a swing arm.
FIG. 2 is a left side view of the swing arm of FIG. 1.
FIG. 3 is a right side view of the swing arm of FIG. 1.
FIG. 4 is a front elevational view of the swing arm of FIG. 1.
FIG. 5 is a rear elevational view of the swing arm of FIG. 1.
FIG. 6 is a top plan view of the swing arm of FIG. 1.
FIG. 7 is a bottom plan view of the swing arm of FIG. 1; and,
FIG. 8 is a front elevational view of the swing arm of FIGS. 1-7 illustrating a possible use.

The dashed lines in FIGS. 1-8 are for illustrative purposes only showing environmental subject matter and form no part of the claimed design.

See application file for complete search history.

1 Claim, 8 Drawing Sheets



(56)

References Cited

U.S. PATENT DOCUMENTS

3,699,828 A	10/1972	Piatek et al.	5,961,382 A	10/1999	Stoloski
3,712,174 A	1/1973	Granfield	6,079,302 A	6/2000	Gudleske
3,744,356 A	7/1973	Slator et al.	6,129,488 A	10/2000	Fahr
3,850,058 A	11/1974	Bachmann	6,146,067 A	11/2000	Owens
3,951,018 A	4/1976	Gilmore	6,202,522 B1	3/2001	Tremblay
3,995,466 A	12/1976	Kunsman	D442,451 S *	5/2001	Berg D8/52
4,144,733 A	3/1979	Whitten	6,279,437 B1	8/2001	Way
4,180,358 A	12/1979	Uribe	6,536,316 B2	3/2003	Strait et al.
4,207,786 A	6/1980	Astle et al.	D479,970 S *	9/2003	Hutchinson D8/16
4,418,591 A	12/1983	Astle	D514,404 S *	2/2006	Huang D8/23
4,490,909 A	1/1985	Wachs	6,993,949 B2	2/2006	Dole
4,546,678 A *	10/1985	Stuckey 81/90.6	7,082,656 B1	8/2006	Duncan et al.
D282,471 S *	2/1986	Bearint et al. D15/9	7,103,950 B1	9/2006	Scheffer
4,625,464 A	12/1986	Kubo	7,270,505 B2	9/2007	VanderPol et al.
4,633,621 A	1/1987	Weber	7,578,643 B1	8/2009	Karow
4,682,919 A	7/1987	Mitchell	8,297,157 B1	10/2012	Miller
4,689,883 A	9/1987	Dent	8,302,514 B2	11/2012	Dole et al.
D294,913 S *	3/1988	Jurgens D8/52	D732,362 S *	6/2015	Nagaki D8/52
5,393,176 A	2/1995	Waring	2004/0096287 A1	5/2004	Woodrum
5,515,756 A	5/1996	Sandford et al.	2004/0206218 A1	10/2004	Nybo
5,528,919 A	6/1996	McGrady et al.	2008/0005907 A1	1/2008	Scheffer
5,641,253 A	6/1997	Wagner	2009/0235532 A1	9/2009	Stratford-Smith
			2013/0055862 A1 *	3/2013	Kundracik et al. 82/113
			2015/0040731 A1 *	2/2015	Moherman et al. 82/113

* cited by examiner

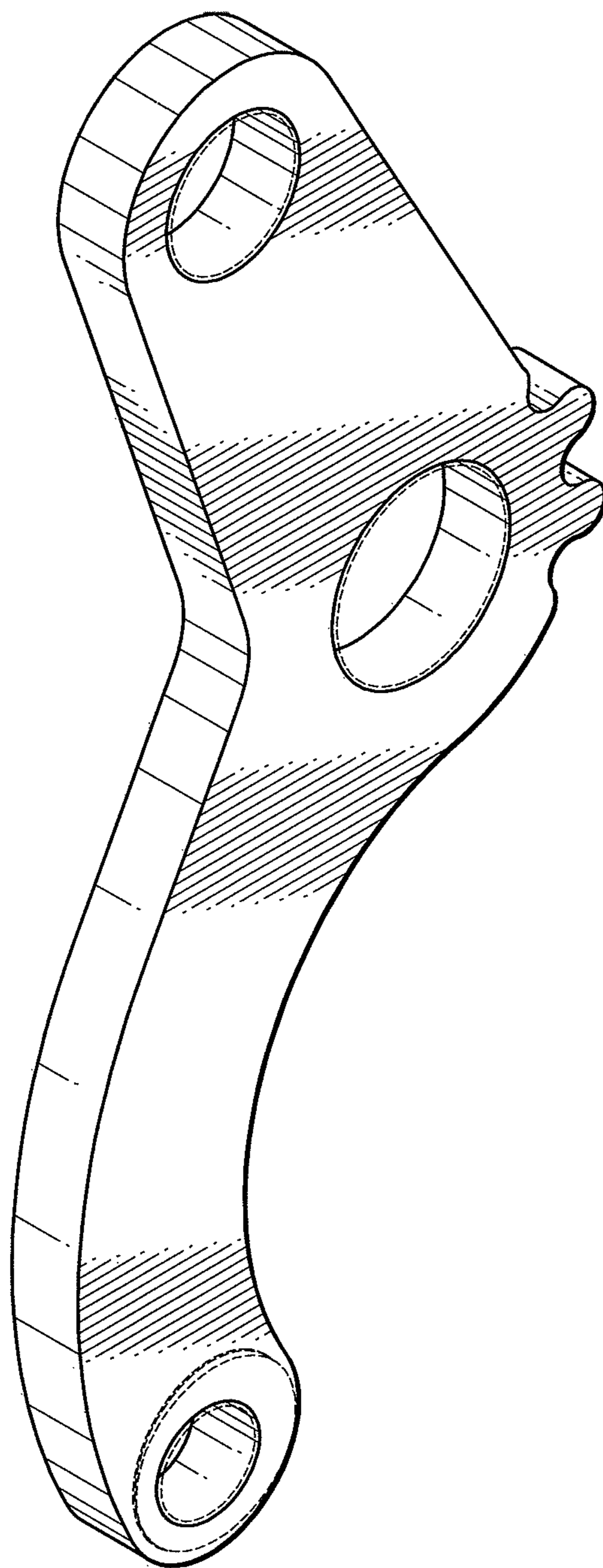


FIG. 1

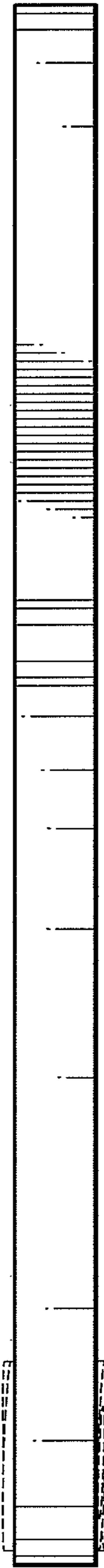


FIG. 2

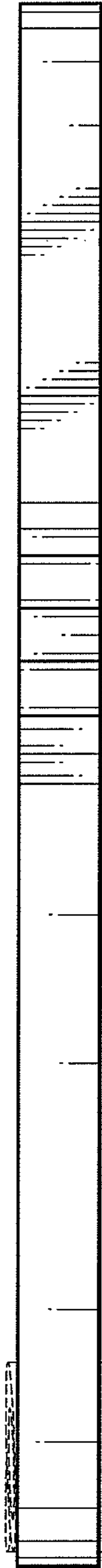


FIG. 3

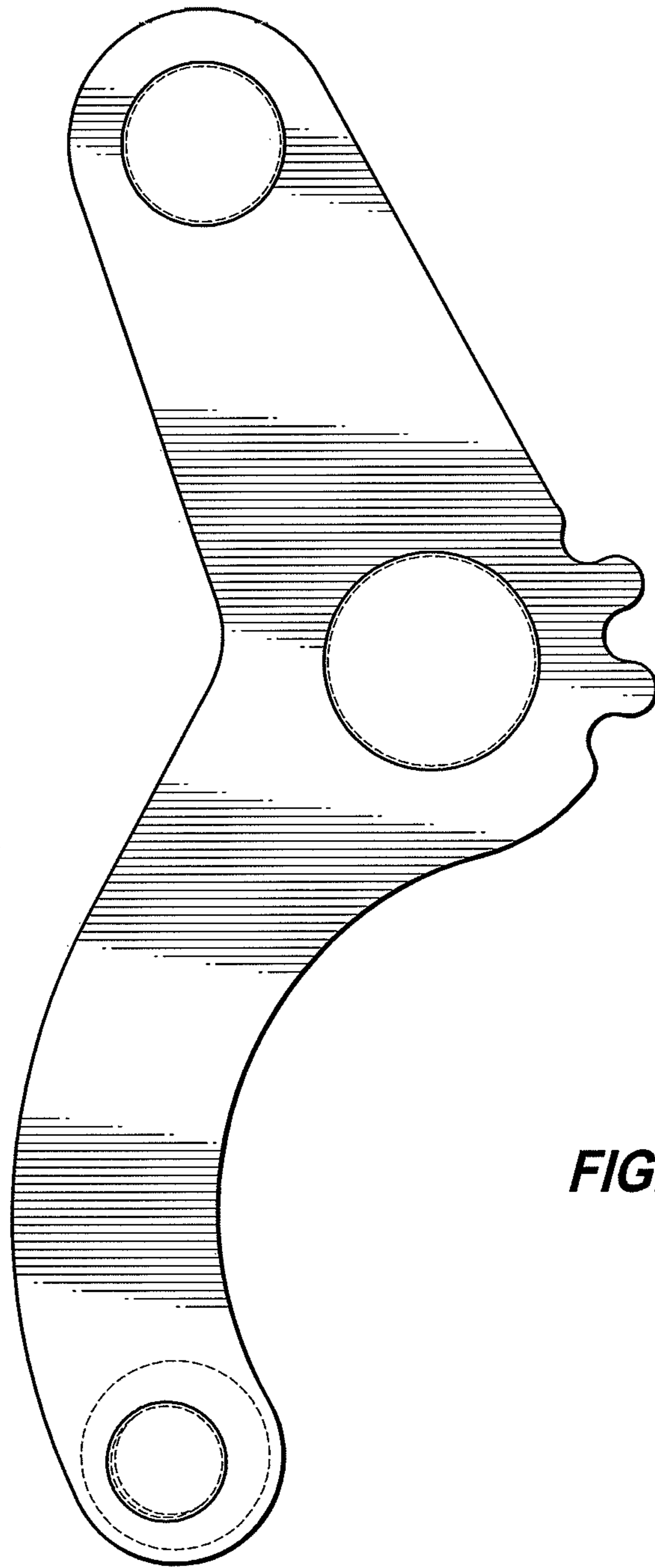


FIG. 4

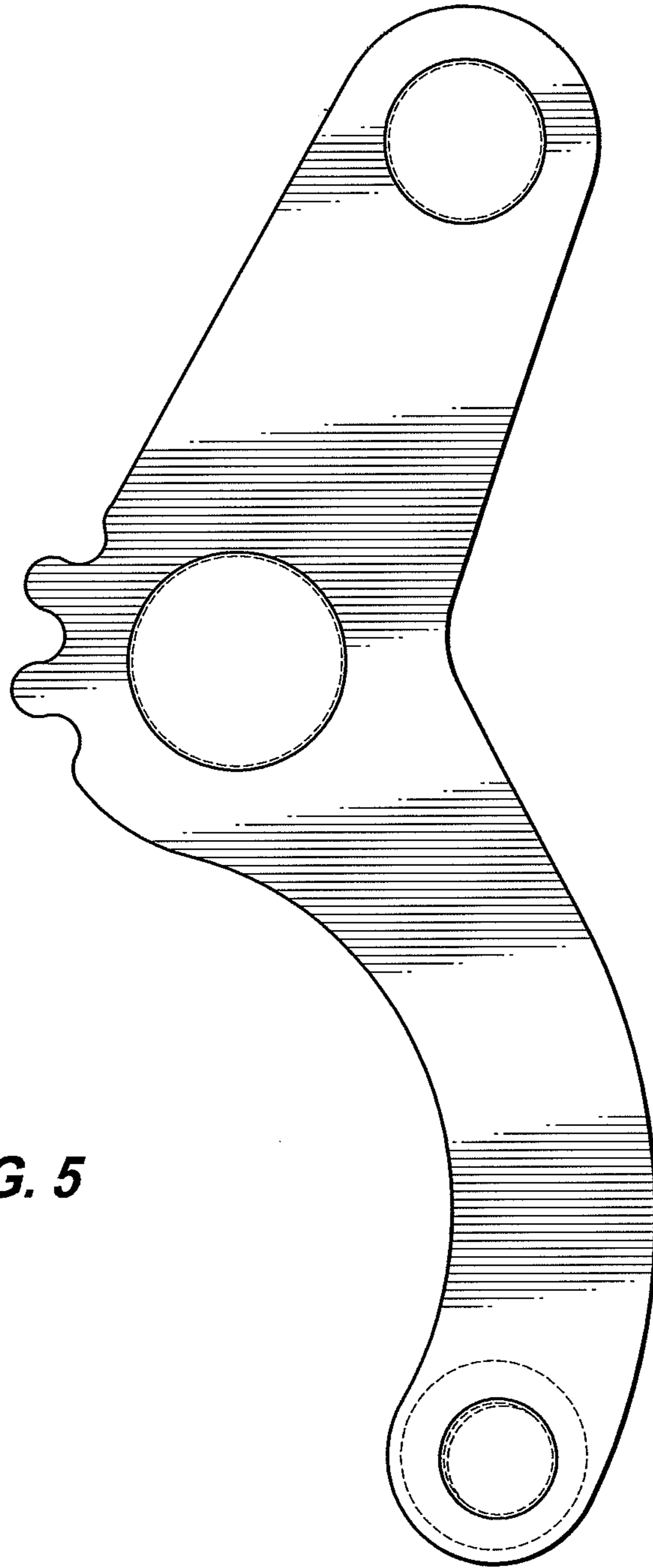


FIG. 5

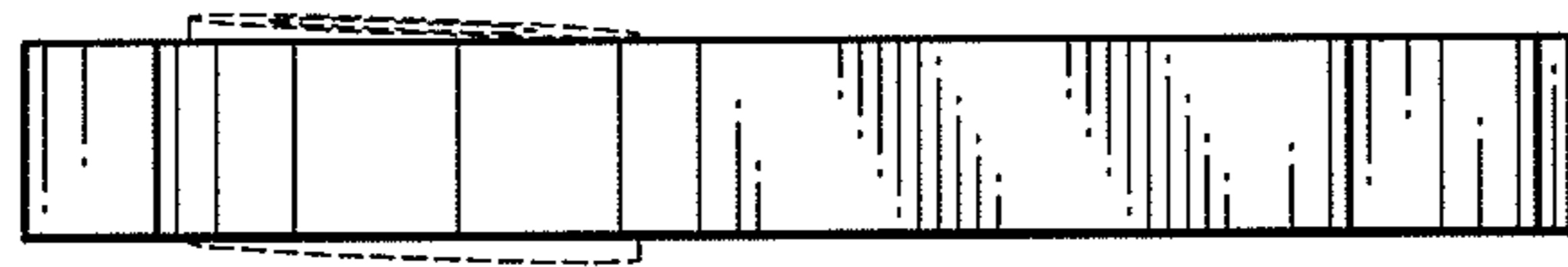


FIG. 6

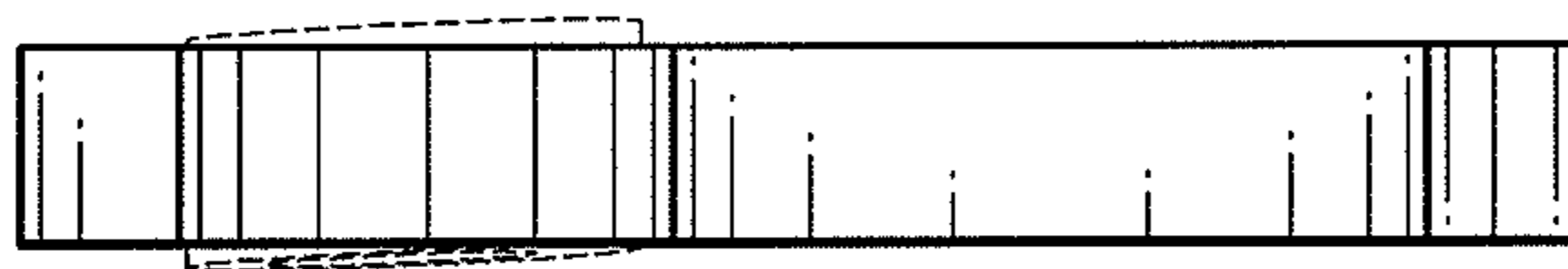


FIG. 7

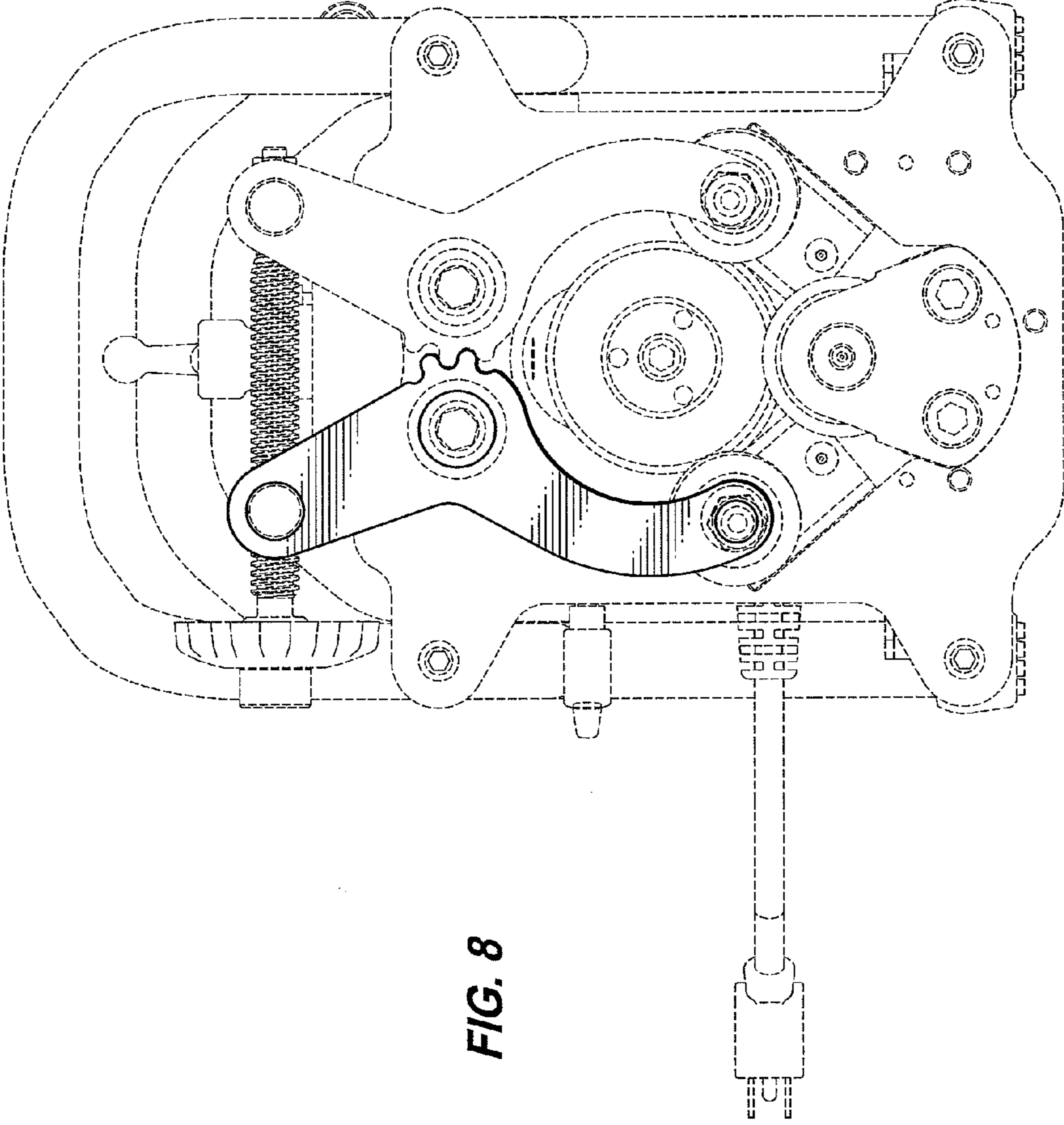


FIG. 8