



US00D744555S

(12) **United States Design Patent**
Suzuki et al.

(10) **Patent No.:** **US D744,555 S**

(45) **Date of Patent:** **** Dec. 1, 2015**

(54) **DISTRIBUTOR FOR SHOTBLAST MACHINE**

(71) Applicant: **Sintokogio, Ltd.**, Nagoya-shi, Aichi (JP)

(72) Inventors: **Hiroaki Suzuki**, Toyokawa (JP); **Masato Umeoka**, Toyokawa (JP)

(73) Assignee: **Sintokogio, Ltd.**, Nagoya-shi (JP)

(**) Term: **14 Years**

(21) Appl. No.: **29/488,906**

(22) Filed: **Apr. 24, 2014**

(30) **Foreign Application Priority Data**

Dec. 10, 2013 (JP) 2013-028929

(51) **LOC (10) Cl.** **15-09**

(52) **U.S. Cl.**
USPC **D15/138**

(58) **Field of Classification Search**
USPC D8/70; D15/122, 123, 124, 138, 140,
D15/144, 144.1, 144.2
See application file for complete search history.

(56) **References Cited**

U.S. PATENT DOCUMENTS

4,047,334	A *	9/1977	Kuehn	451/85
4,326,362	A *	4/1982	Williams et al.	451/80
4,632,078	A *	12/1986	Sasaki et al.	123/146.5 A
4,751,798	A *	6/1988	McDade	451/95
4,964,420	A *	10/1990	Ichikawa et al.	137/171
5,029,595	A *	7/1991	Hautau	134/142
5,149,146	A *	9/1992	Simoni	285/146.1
5,209,204	A *	5/1993	Bodenhausen et al.	123/470
D368,300	S *	3/1996	Grenga	D23/235
5,637,029	A *	6/1997	Lehane	451/39
5,971,907	A *	10/1999	Johannemann et al.	494/37
6,450,738	B1 *	9/2002	Ripley	407/35
6,688,946	B2 *	2/2004	Schmidt	451/38
D489,078	S *	4/2004	Roy	D15/140
6,926,594	B1 *	8/2005	Nakayama	451/85

6,933,850	B2 *	8/2005	Garcia et al.	340/572.8
D520,324	S *	5/2006	Yaksich et al.	D8/70
D534,557	S *	1/2007	Storer et al.	D15/124
D535,673	S *	1/2007	Conway et al.	D15/144
7,174,726	B2 *	2/2007	Grau et al.	62/115
D563,188	S *	3/2008	Hu	D8/70
7,421,872	B2 *	9/2008	Indlekofer	72/53
8,113,172	B2 *	2/2012	Farrell	123/406.11

(Continued)

FOREIGN PATENT DOCUMENTS

JP	369408	7/1973
JP	367670	8/1973

(Continued)

Primary Examiner — Patricia Palasik

(74) *Attorney, Agent, or Firm* — Saidman DesignLaw Group, LLC

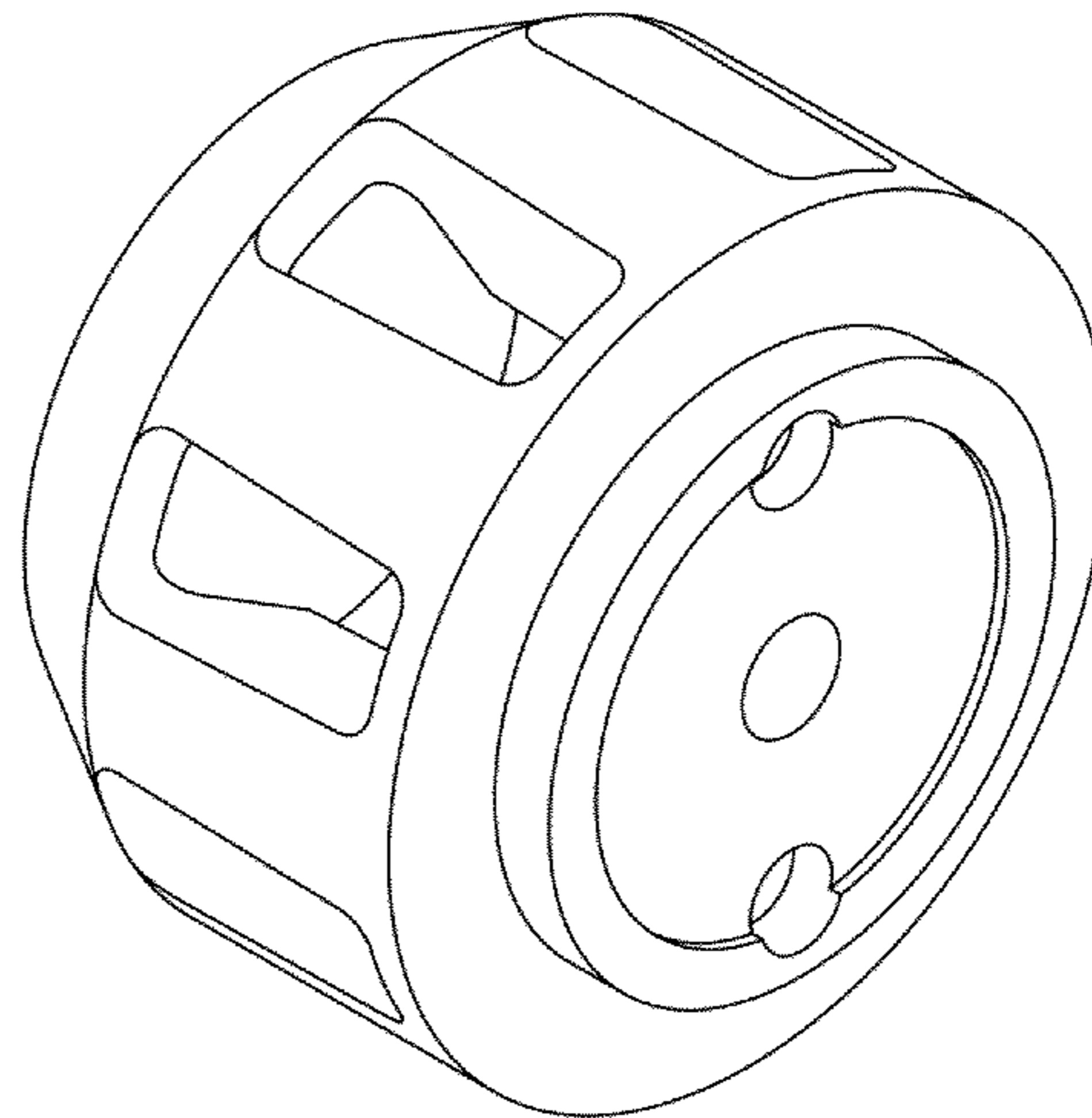
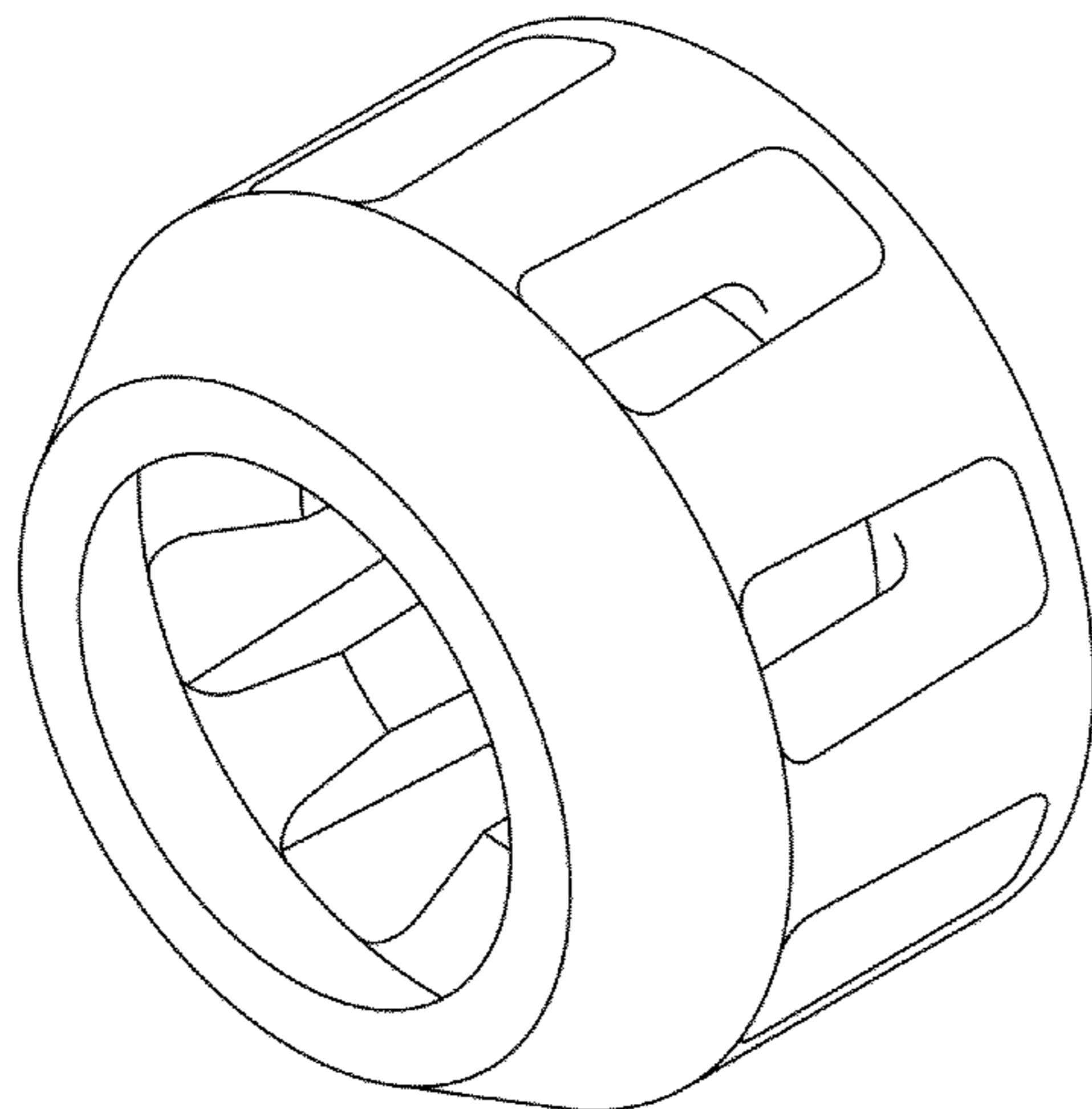
(57) **CLAIM**

The ornamental design for a distributor for shotblast machine, as shown and described.

DESCRIPTION

FIG. 1 is a front view of a distributor for shotblast machine showing our new design;
 FIG. 2 is a rear view thereof;
 FIG. 3 is a left side view thereof;
 FIG. 4 is a right side view thereof;
 FIG. 5 is a top plan view thereof;
 FIG. 6 is a bottom plan view thereof;
 FIG. 7 is a cross-sectional view taken along the lines 7-7 of FIG. 1;
 FIG. 8 is a cross-sectional view taken along the lines 8-8 of FIG. 1;
 FIG. 9 is a cross-sectional view taken along the lines 9-9 of FIG. 1;
 FIG. 10 is a rear right top perspective view thereof;
 FIG. 11 is a front left bottom perspective view thereof; and,
 FIG. 12 is a right top perspective view thereof.

1 Claim, 6 Drawing Sheets



(56)

References Cited

FOREIGN PATENT DOCUMENTS

U.S. PATENT DOCUMENTS

8,172,583 B2 *	5/2012	Friedrich	439/76.1	JP	409729	11/1975
D669,922 S *	10/2012	Eliason	D15/124	JP	465465	1/1978
8,506,230 B2 *	8/2013	Ollila et al.	414/208	JP	489626	12/1978
D692,534 S *	10/2013	Fangmeier	D23/233	JP	627737	6/1984
D702,272 S *	4/2014	Furujo et al.	D15/144	JP	627738	6/1984
D710,175 S *	8/2014	Moss et al.	D8/70	JP	866025	4/1993
D714,372 S *	9/2014	Savill, Jr.	D15/144	JP	627737-1	11/1995
9,022,835 B1 *	5/2015	Gus	451/88	JP	627738-1	10/1997

* cited by examiner

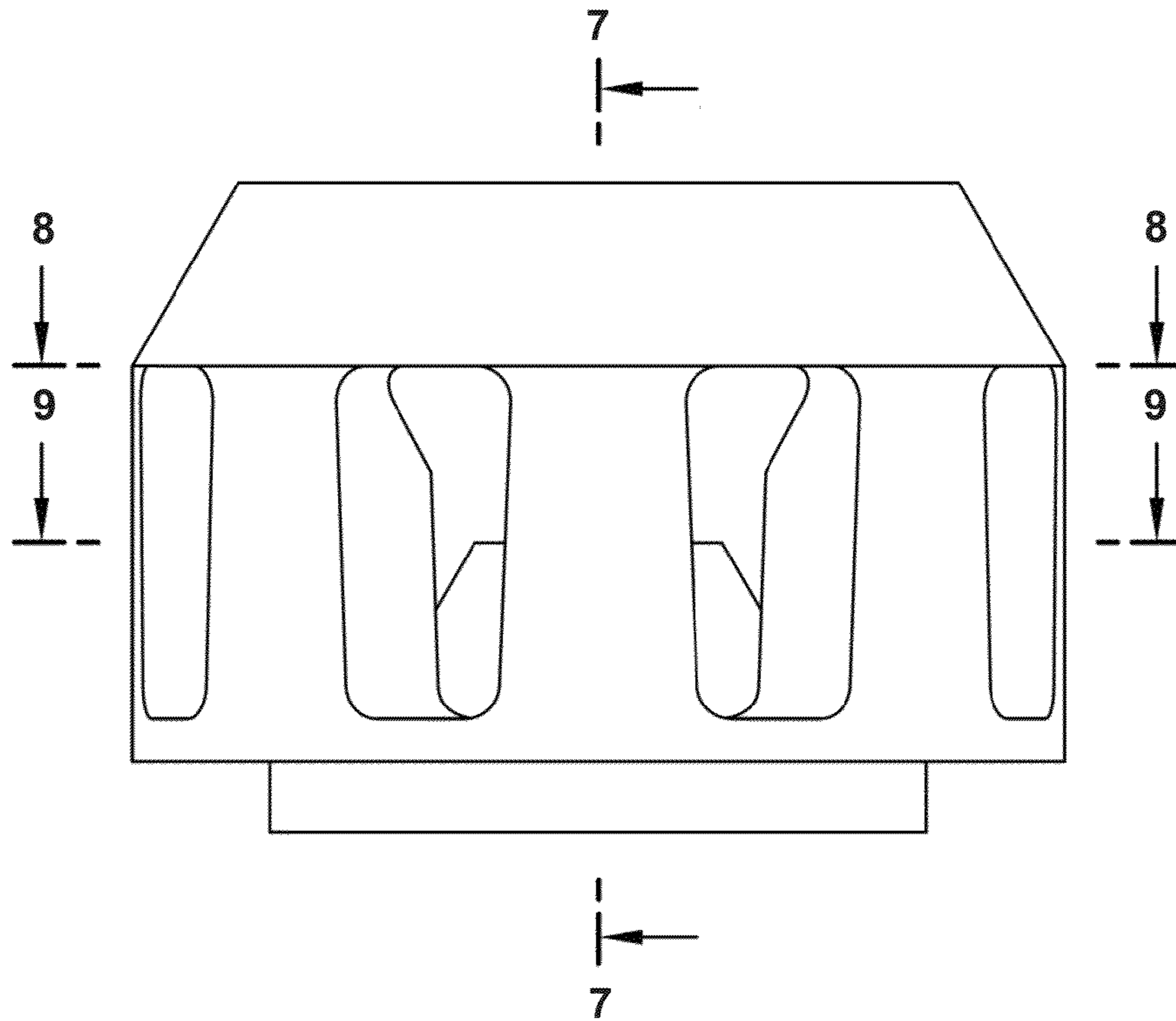


Fig. 1

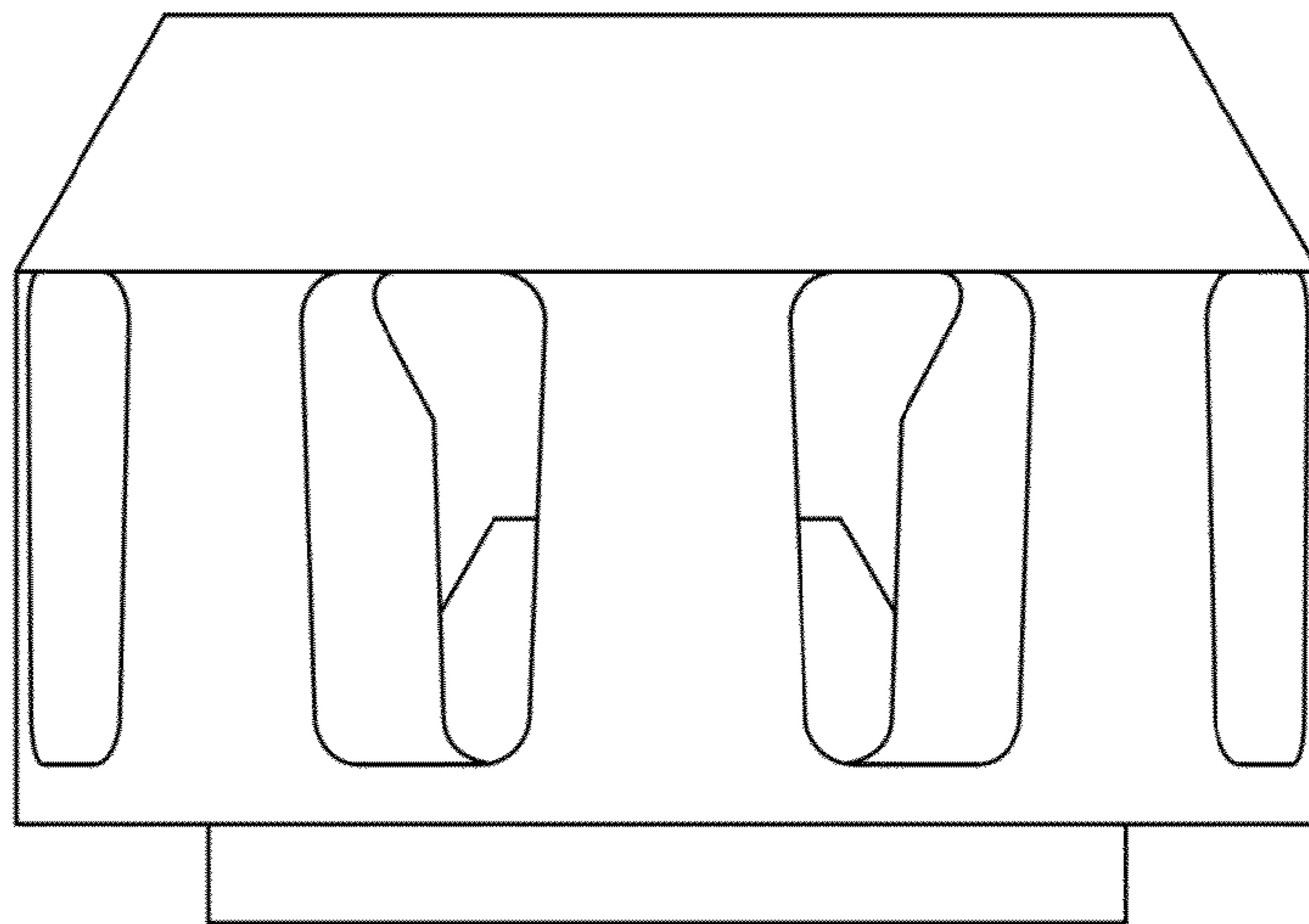


Fig. 2

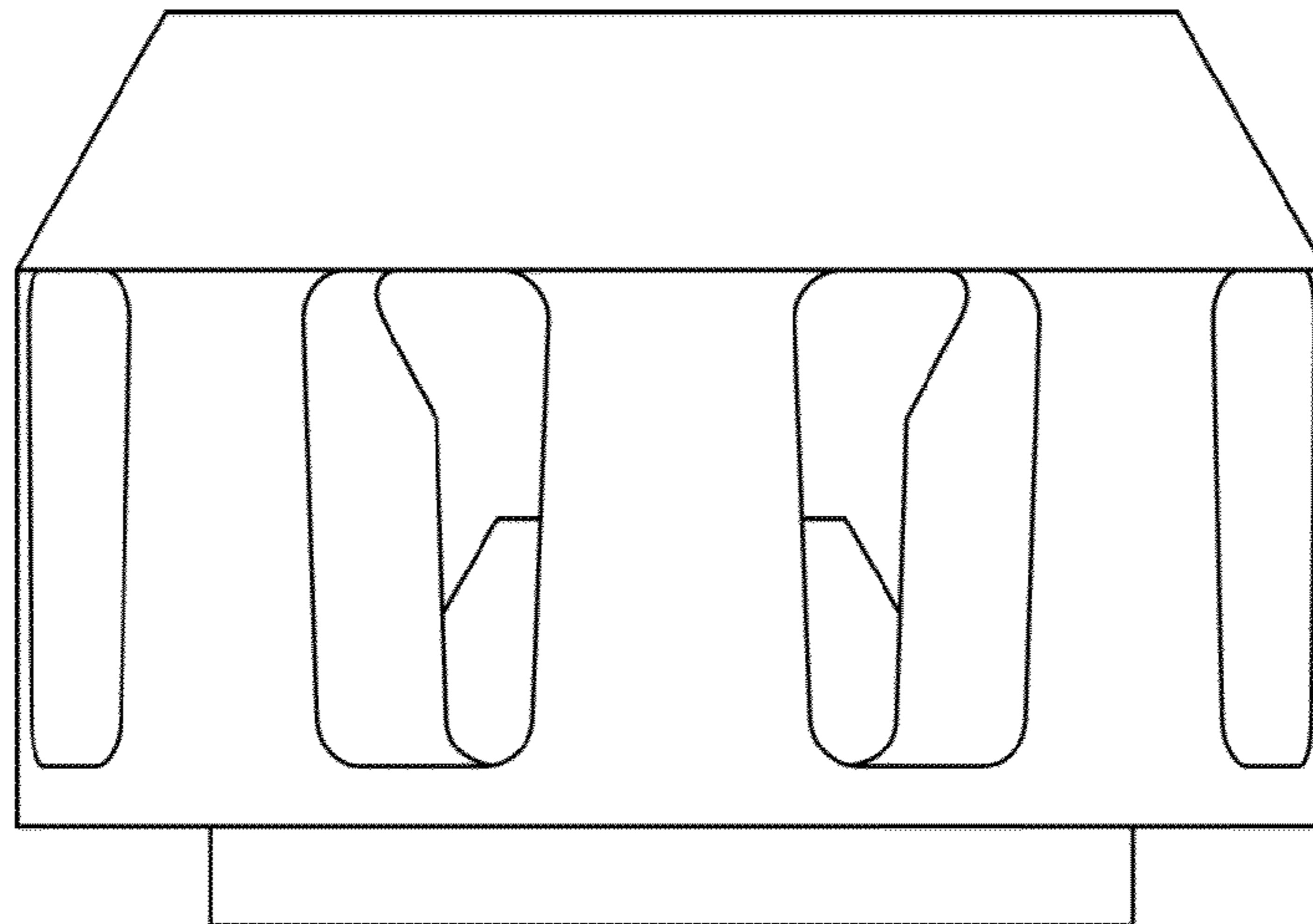


Fig. 3

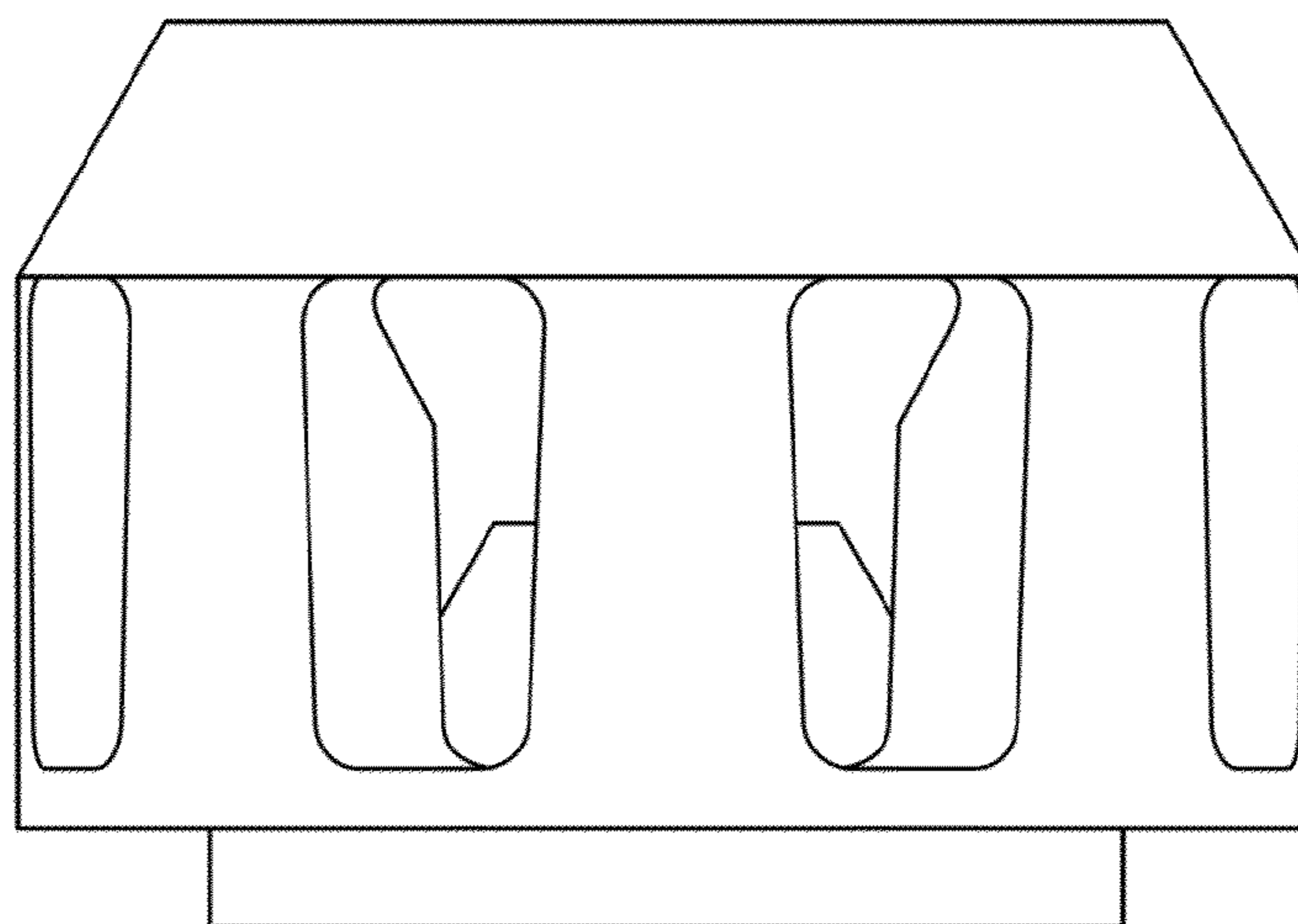


Fig. 4

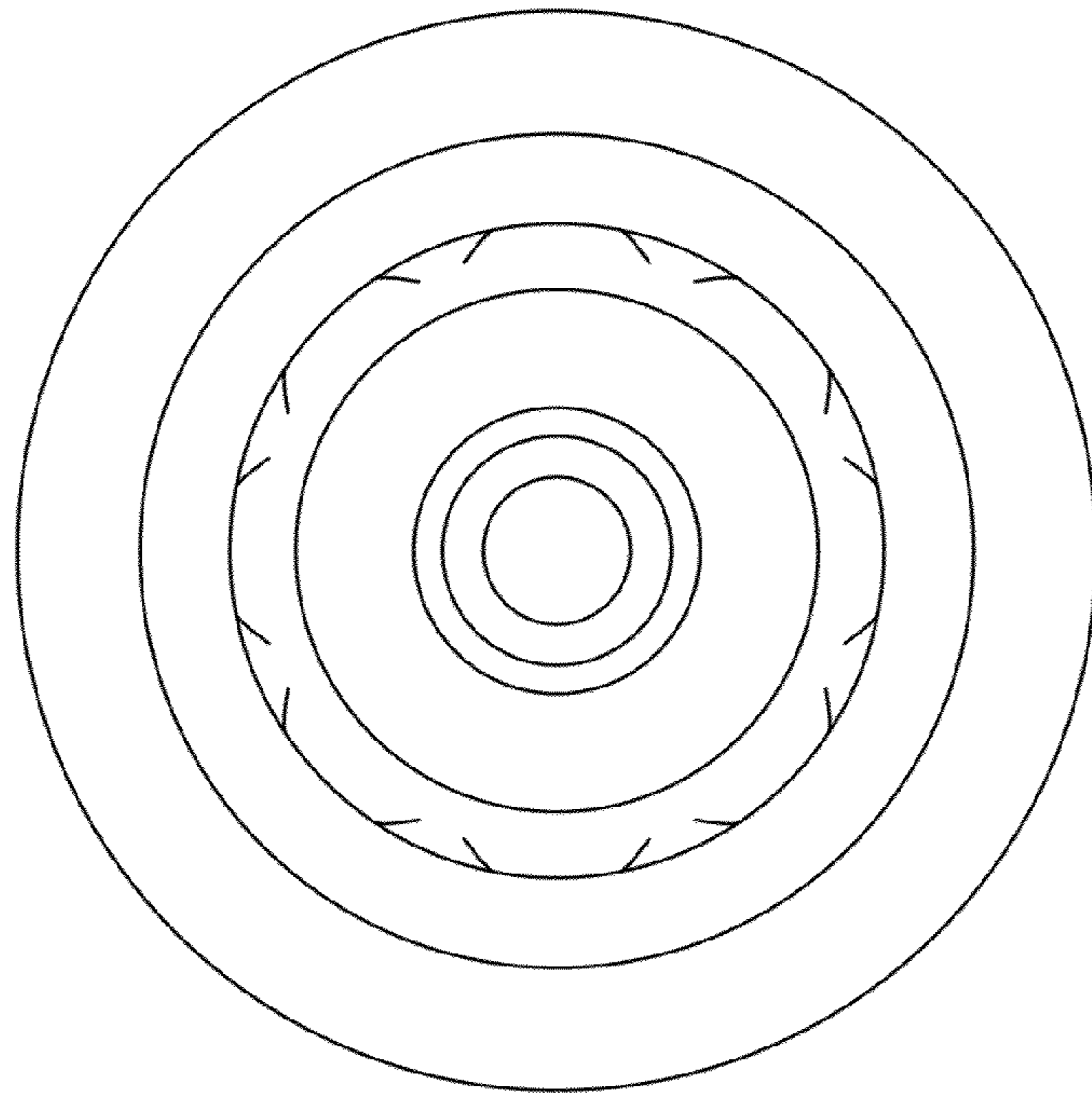


Fig. 5

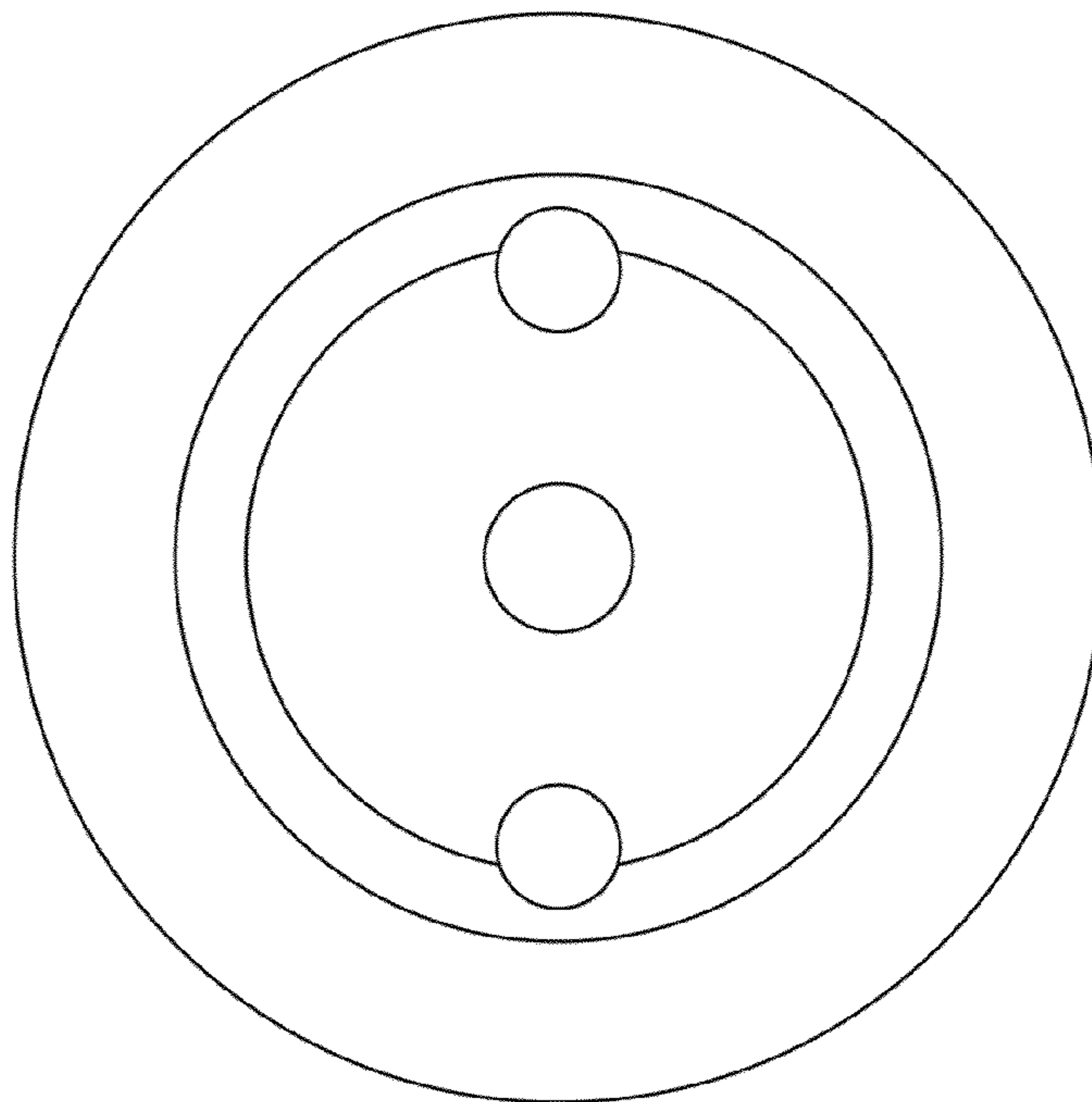


Fig. 6

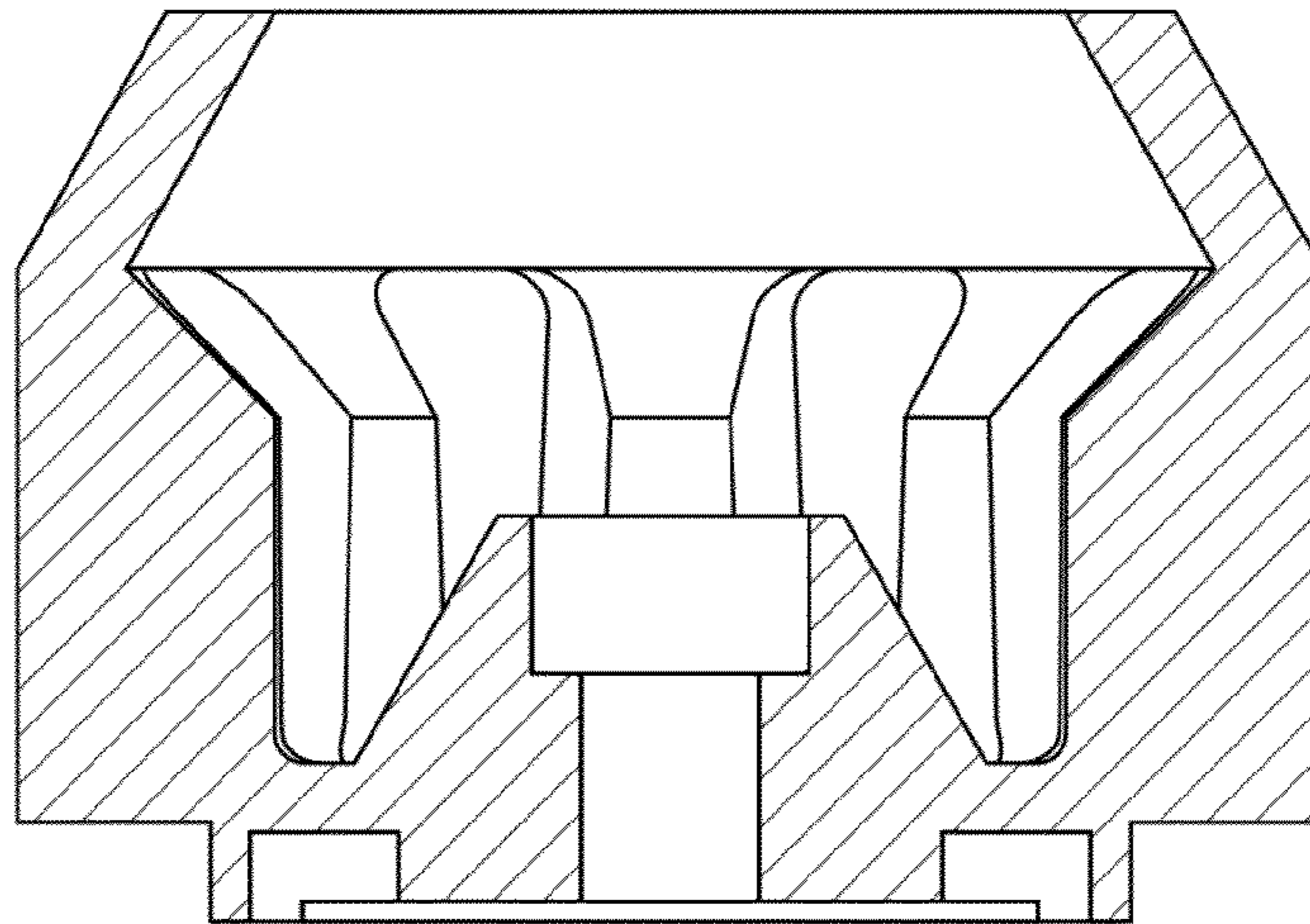


Fig. 7

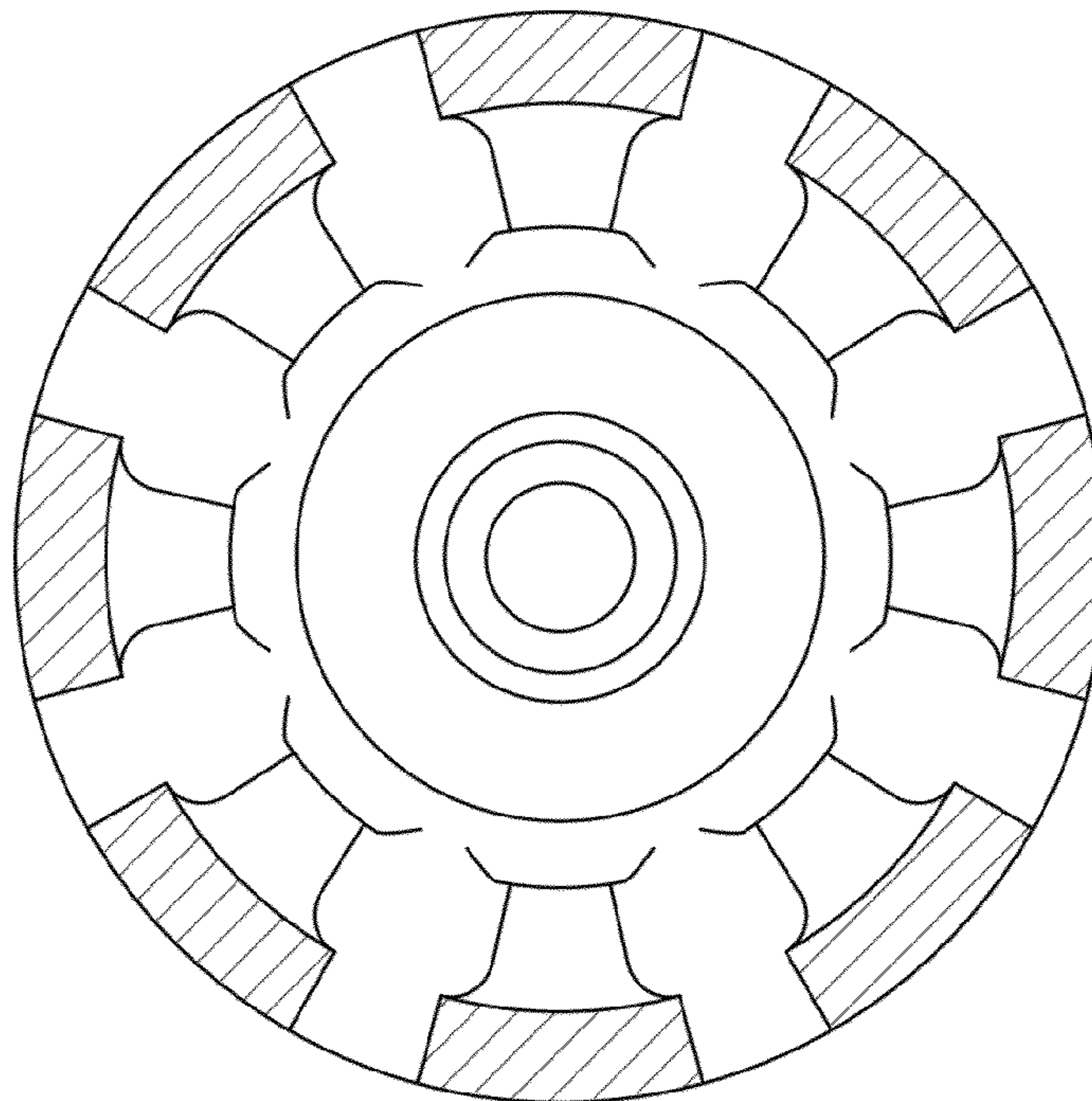


Fig. 8

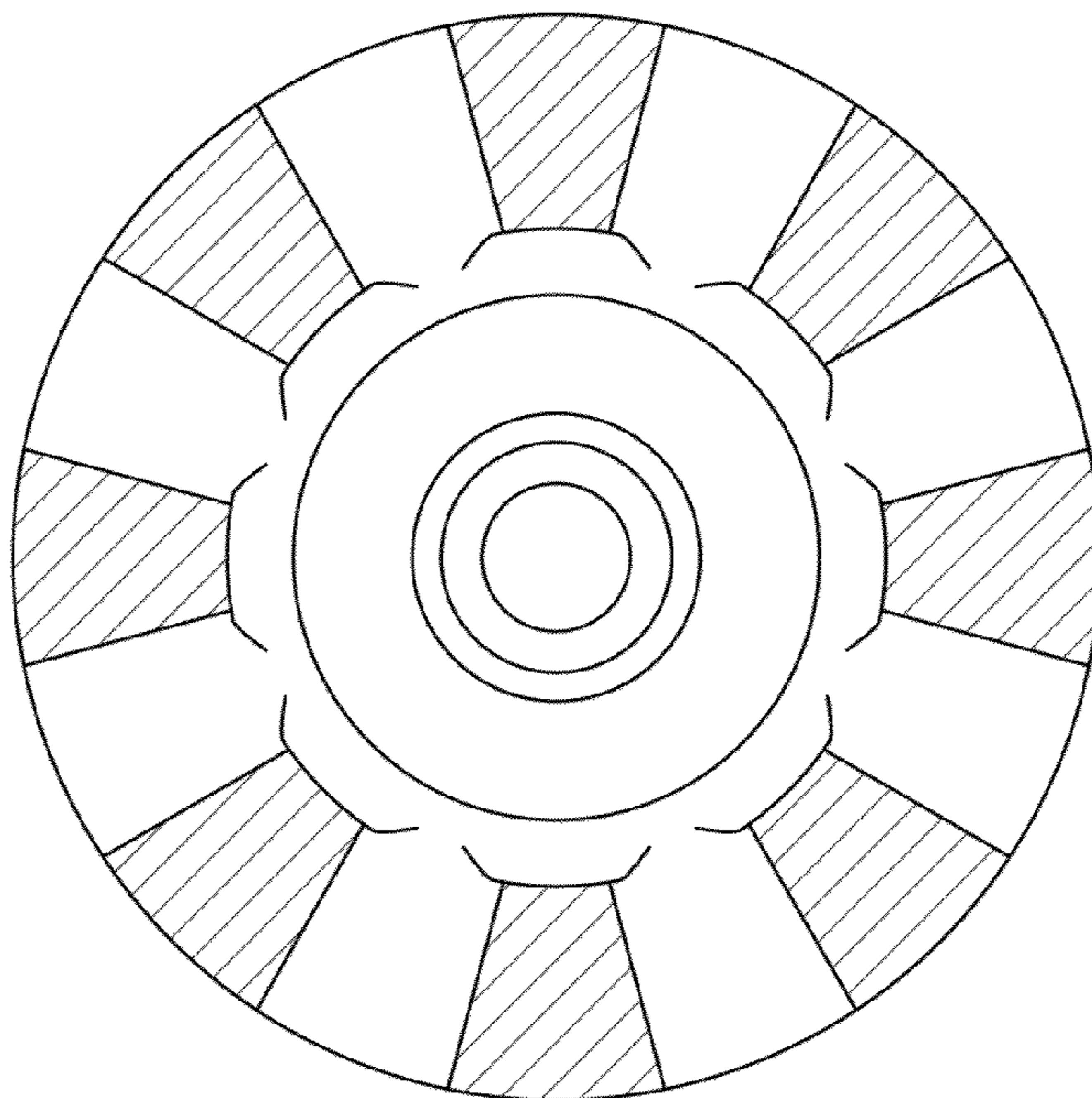


Fig. 9

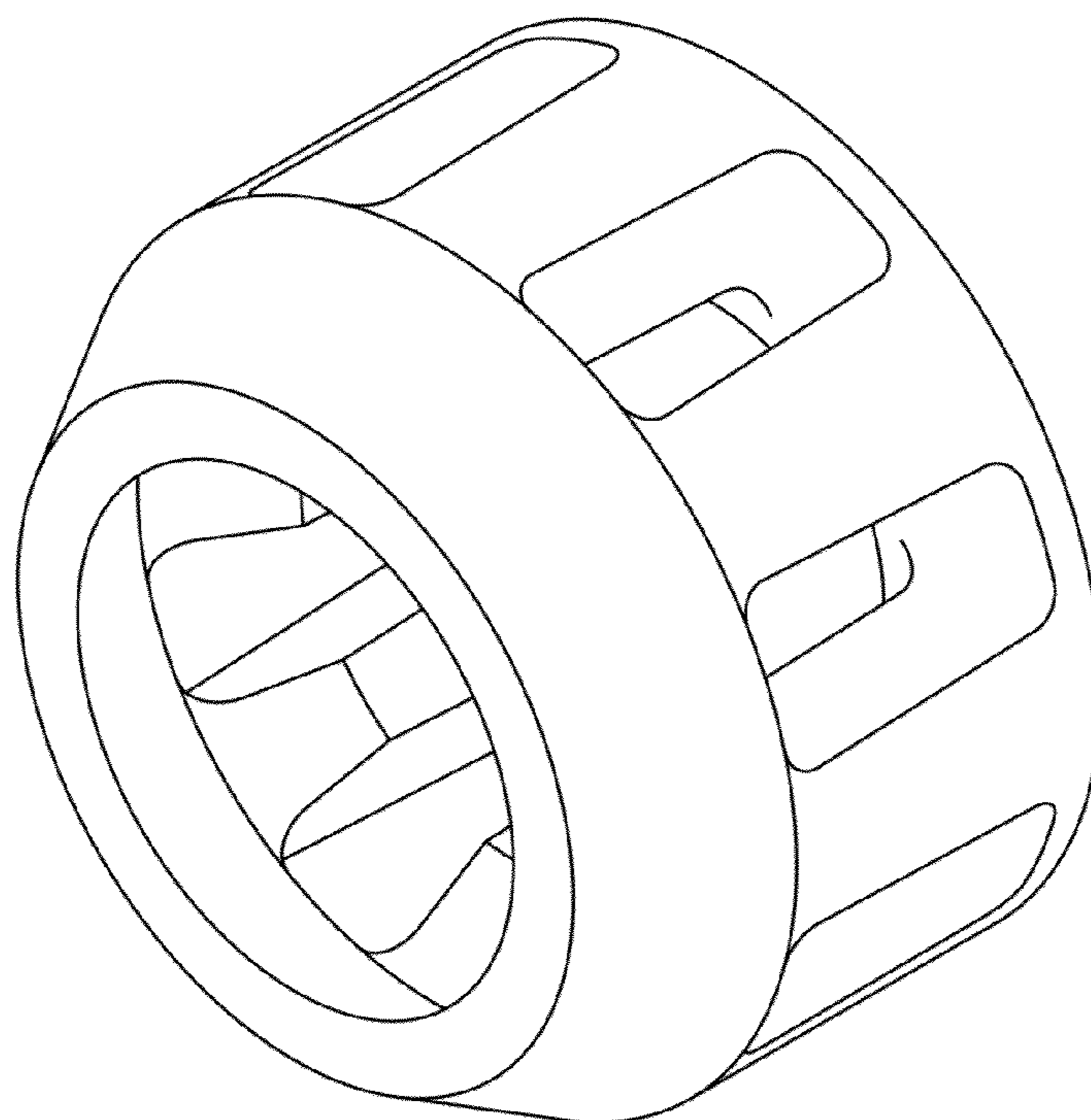


Fig. 10

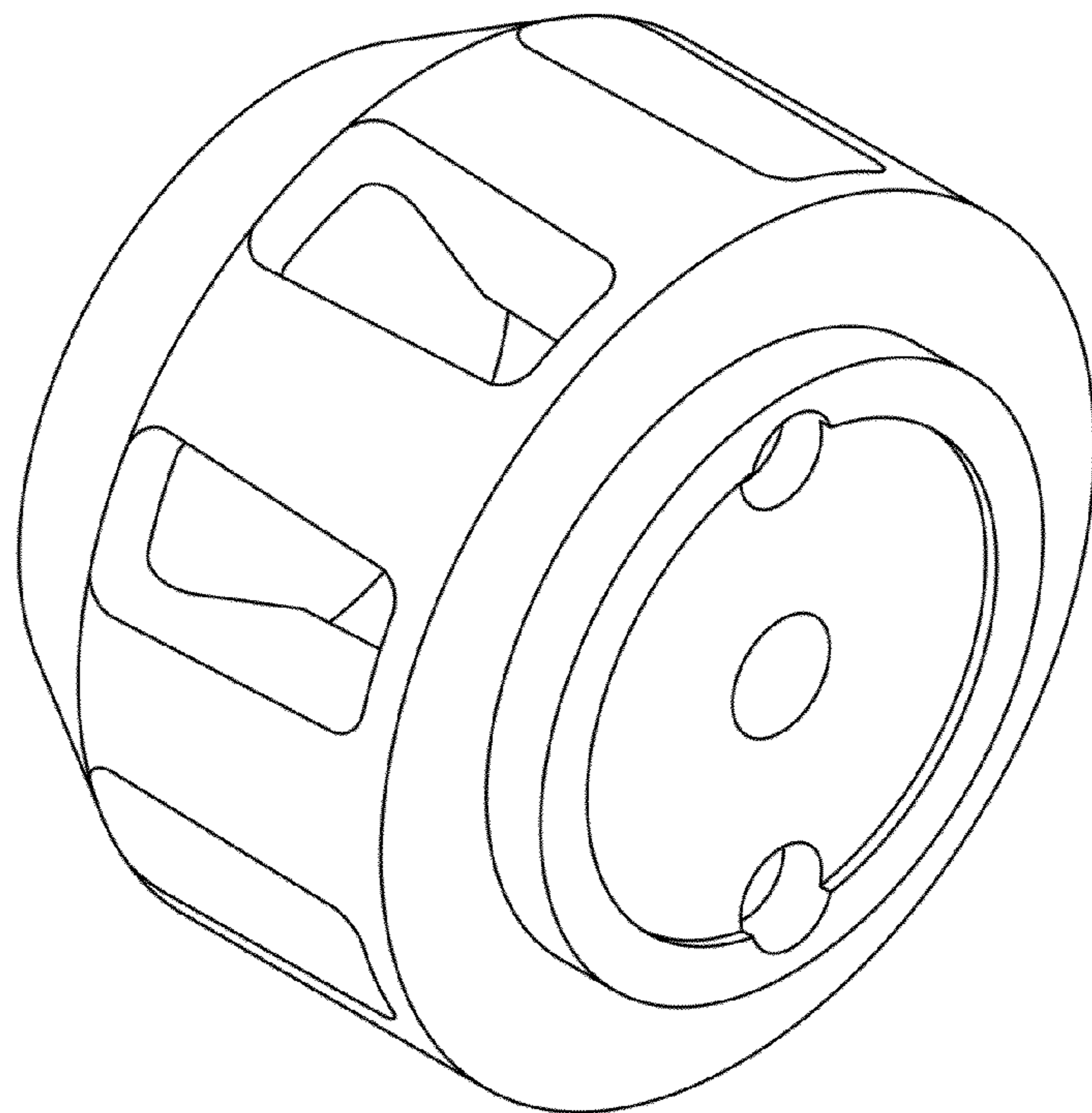


Fig. 11

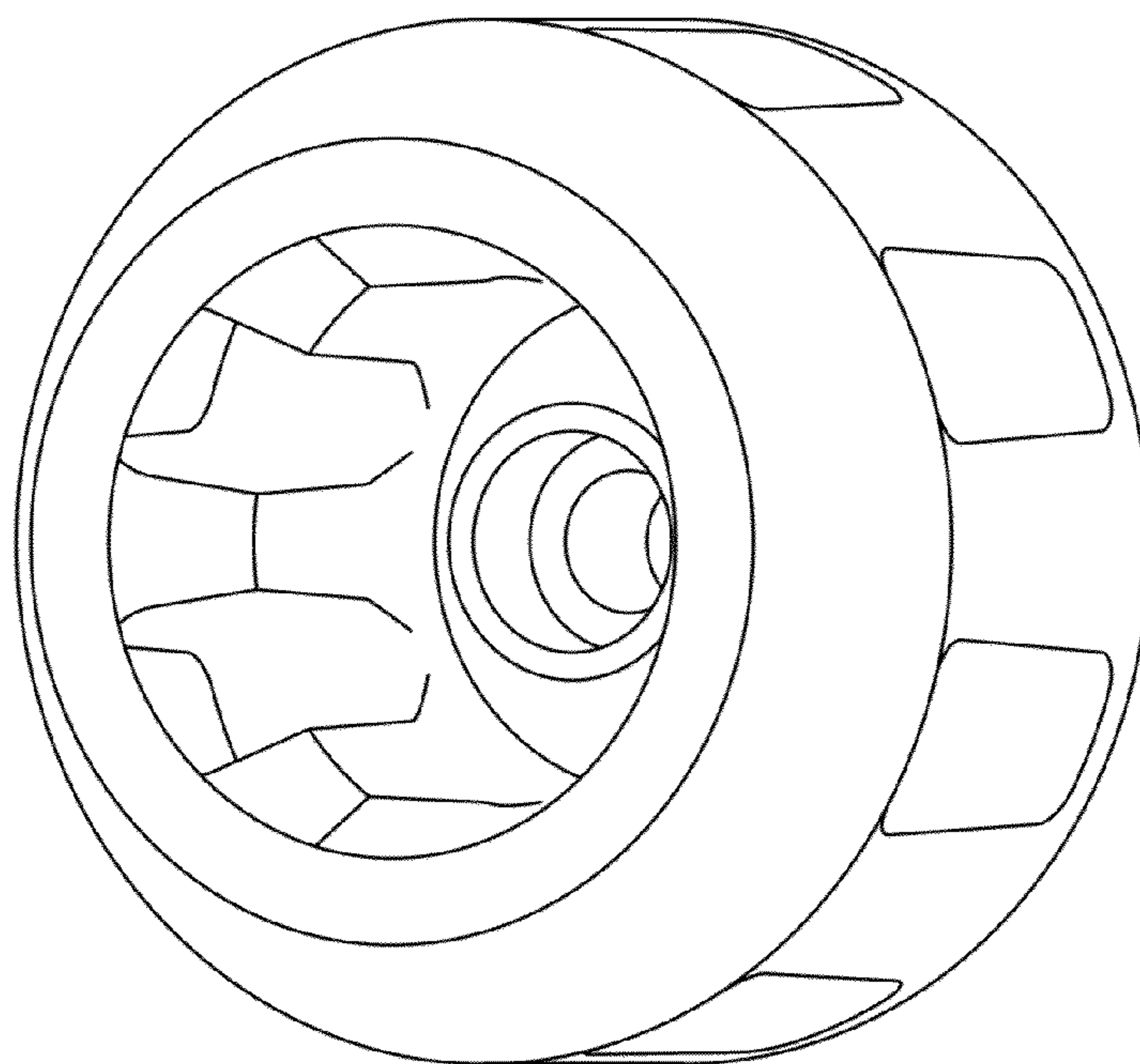


Fig. 12