



US00D744554S

(12) **United States Design Patent**
Shimota et al.

(10) **Patent No.:** **US D744,554 S**

(45) **Date of Patent:** **** Dec. 1, 2015**

(54) **TOOL**

(71) Applicant: **Wilson Tool International Inc.**, White Bear Lake, MN (US)

(72) Inventors: **Jon M. Shimota**, Stillwater, MN (US);
John H. Morehead, New Richmond, WI (US)

(73) Assignee: **Wilson Tool International Inc.**, White Bear Lake, MN (US)

(**) Term: **14 Years**

(21) Appl. No.: **29/498,319**

(22) Filed: **Aug. 1, 2014**

(51) **LOC (10) Cl.** **15-09**

(52) **U.S. Cl.**
USPC **D15/128**

(58) **Field of Classification Search**
USPC D15/128, 131, 138, 140; D19/65, 72
See application file for complete search history.

(56) **References Cited**

U.S. PATENT DOCUMENTS

199,715	A *	1/1878	Jenkins	83/688
2,522,440	A *	9/1950	Freter	72/464
2,927,492	A *	3/1960	Porter	83/698.91
3,641,860	A *	2/1972	Whistler et al.	83/686
3,763,730	A *	10/1973	Ahlegian	83/521
3,788,760	A	1/1974	Daniels	
3,847,078	A	11/1974	Krembel, Jr.	
4,273,015	A *	6/1981	Johnson	83/670
4,526,077	A *	7/1985	DeGuvera	83/686
4,621,556	A *	11/1986	Soltysiak et al.	83/670
4,656,463	A	4/1987	Anders et al.	
D294,000	S *	2/1988	Friedrich	D8/47
4,742,470	A	5/1988	Juengel	
4,762,043	A *	8/1988	Sneed	83/688
4,823,658	A	4/1989	Spicer	
5,044,244	A *	9/1991	Olson	83/686

(Continued)

FOREIGN PATENT DOCUMENTS

DE 8508544 U1 5/1985
EP 0394925 B1 7/1994

(Continued)

OTHER PUBLICATIONS

Dalemark Industries, Inc., "High Resolution Ink Jet Coding System," Nov. 25, 2002, 11 pages.

(Continued)

Primary Examiner — Patricia Palasik

(74) *Attorney, Agent, or Firm* — Fredrikson & Byron, P.A.

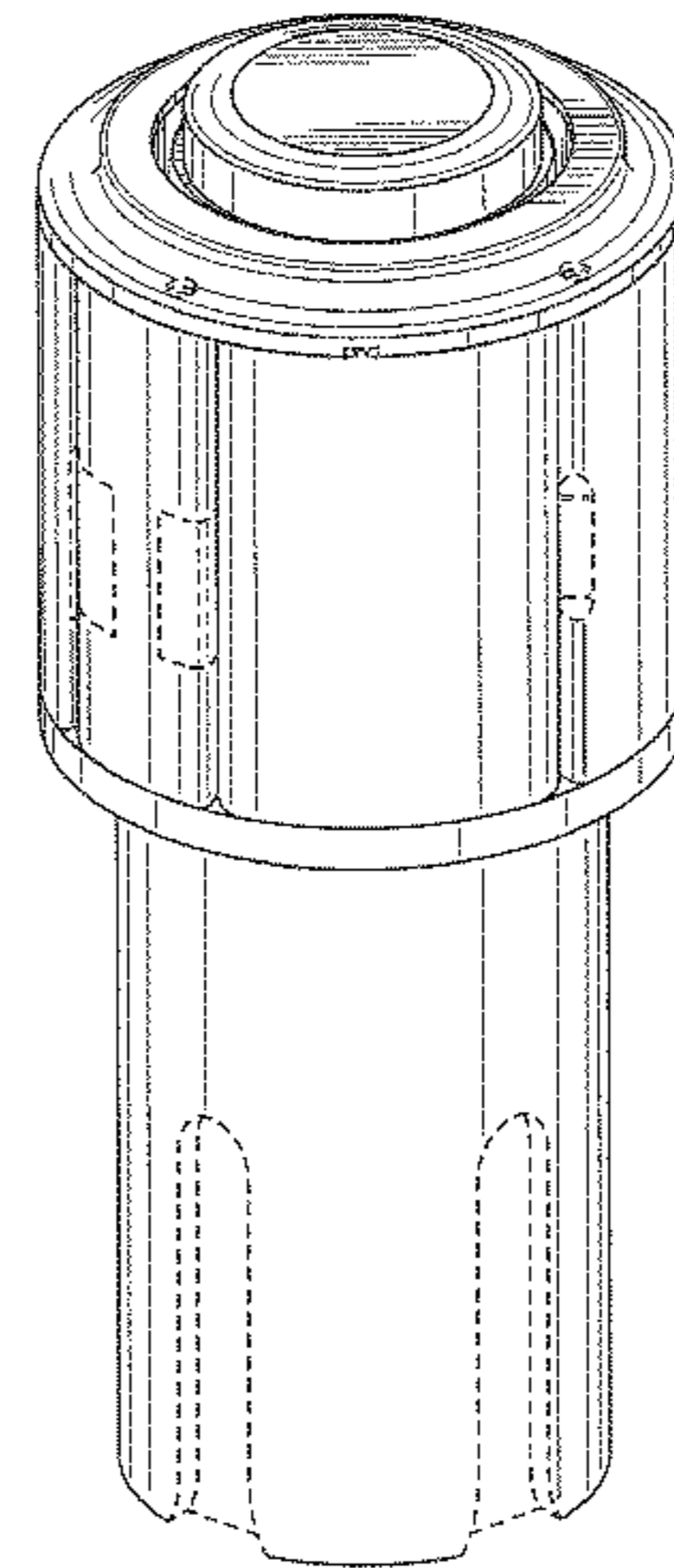
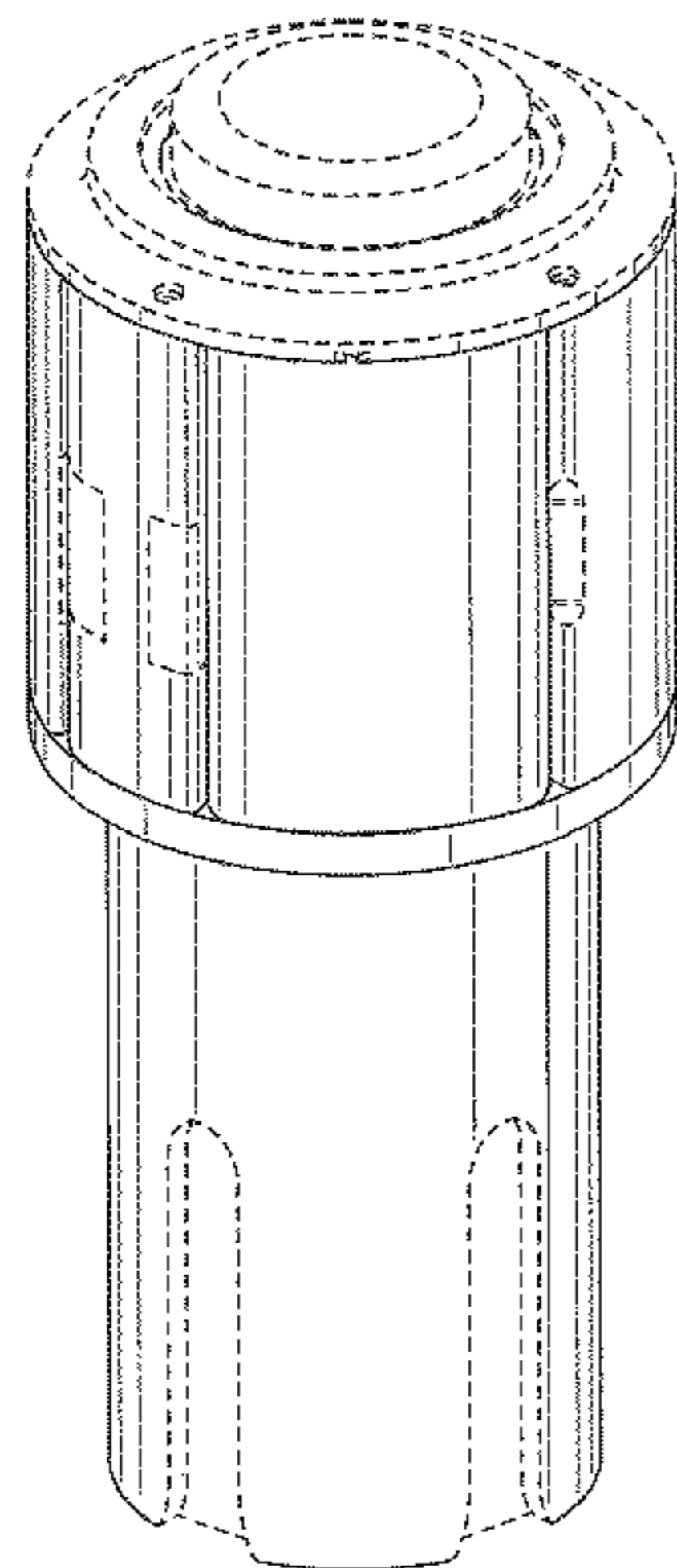
(57) **CLAIM**

We claim the ornamental design for a tool, as shown and described.

DESCRIPTION

FIG. 1 is a perspective of my new design for a tool;
FIG. 2 is front view thereof;
FIG. 3 is a right side view thereof;
FIG. 4 is a rear view thereof;
FIG. 5 is a left side view thereof;
FIG. 6 is a top view thereof;
FIG. 7 is a bottom view thereof;
FIG. 8 is another perspective view thereof;
FIG. 9 is a perspective of an another embodiment of my new design for a tool;
FIG. 10 is front view thereof;
FIG. 11 is a right side view thereof;
FIG. 12 is a rear view thereof;
FIG. 13 is a left view thereof;
FIG. 14 is a top view thereof;
FIG. 15 is a bottom view thereof; and,
FIG. 16 is another perspective view thereof.
The broken lines form no part of the claimed design.

1 Claim, 14 Drawing Sheets



(56)

References Cited

U.S. PATENT DOCUMENTS

5,046,014 A 9/1991 Anjo
 5,201,589 A 4/1993 Chun
 5,215,513 A 6/1993 Maynard
 5,224,915 A 7/1993 Killian
 5,259,100 A 11/1993 Takahashi
 5,342,276 A 8/1994 Fujiwara
 5,451,195 A 9/1995 Fujiwara
 5,457,484 A 10/1995 Regnault
 5,555,759 A 9/1996 Rosene
 5,575,168 A 11/1996 Rosene
 5,682,657 A 11/1997 Hirose
 5,682,782 A 11/1997 Rosene
 5,721,587 A 2/1998 Hirose
 5,808,642 A 9/1998 Zaba
 5,810,704 A 9/1998 Seto
 5,887,502 A * 3/1999 Yamaguchi et al. 83/76
 5,993,090 A 11/1999 Straka
 D446,816 S * 8/2001 Hsuan D19/72
 D458,308 S * 6/2002 Hsuan D19/72
 6,725,751 B1 * 4/2004 Surina 83/49
 D515,600 S * 2/2006 Ishiwata D15/128
 7,011,613 B2 3/2006 Moller
 7,168,364 B2 1/2007 Schneider
 7,171,738 B2 2/2007 Dick et al.
 7,249,478 B2 7/2007 Takehara
 7,308,814 B2 * 12/2007 Gassner 72/333
 7,367,761 B2 5/2008 Kato
 7,437,210 B1 10/2008 Shigefuji
 7,614,725 B2 11/2009 Schulmeister
 D615,569 S * 5/2010 Greenleaf D15/128
 8,011,278 B1 * 9/2011 Loper 83/37
 D665,832 S * 8/2012 Nguyen D15/128
 8,505,175 B2 8/2013 Lee et al.
 D690,332 S * 9/2013 Morehead et al. D15/128
 D690,333 S * 9/2013 Morehead et al. D15/128
 D694,788 S * 12/2013 Carper D15/128
 D719,590 S * 12/2014 Johnston D15/128
 2003/0075034 A1 * 4/2003 Brenneke 83/684
 2006/0169117 A1 * 8/2006 Schneider 83/684
 2007/0180723 A1 * 8/2007 Morgan 33/645
 2007/0193323 A1 * 8/2007 Coelho et al. 72/55
 2008/0314220 A1 * 12/2008 Ferry et al. 83/684
 2009/0223032 A1 * 9/2009 Huang et al. 29/525.01

2010/0107846 A1 * 5/2010 Lee et al. 83/686
 2011/0203417 A1 * 8/2011 Hill, III 81/44
 2013/0319200 A1 * 12/2013 Johnston et al. 83/698.91

FOREIGN PATENT DOCUMENTS

EP 1125682 A2 8/2001
 EP 1219433 A1 7/2002
 EP 1219439 A1 7/2002
 EP 1219432 A1 4/2005
 JP H06-198357 7/1994
 WO 9948694 9/1999

OTHER PUBLICATIONS

EBS Ink-Jet Systems product brochure for Handjet EBS-250, 2005.
 Messer, MG Systems & Welding, Inc., Brochure entitled "Ink Jet
 Marker, Fast, quiet marking with no damage to the plate surface,"
 copyright 2006 Messer MG Systems & Welding 12061M,
 Menomonee Falls, WI.
 Rea-Jet, "Features of Performance," Dec. 2002 or earlier, 3 pages.
 Website, <http://www.mg-systems-welding.com/products.html>,
 viewed Apr. 18, 2008.
 Website, <http://www.mg-systems-welding.com/marketing.html>,
 viewed Apr. 18, 2008.
 Website, <http://www.mg-systems-welding.com/inkjet.html>, viewed
 Apr. 18, 2008.
 Website, <http://www.mg-systems-welding.com/tmc4500.html>,
 viewed Apr. 18, 2008.
 Website, <http://www.mg-systems-welding.com/mpc2000.html>,
 viewed Apr. 18, 2008.
 Website, <http://www.mg-systems-welding.com/titan.html>, viewed
 Apr. 18, 2008.
 Website, <http://www.mg-systems-welding.com/metalmasterplus.html>, viewed Apr. 18, 2008.
 Website, http://www.midaprobing.com/product_en.htm, viewed
 Apr. 18, 2008.
 Website, http://www.midaprobing.com/Transmission_sys_en.htm,
 viewed Apr. 18, 2008.
 Website, http://www.midaprobing.com/news_en.htm, viewed Mar.
 30, 2007.
 International Search Report and Written Opinion for International
 Application No. PCT/US2008/061434, dated Jul. 3, 2008, 11 pages.

* cited by examiner

Fig. 1

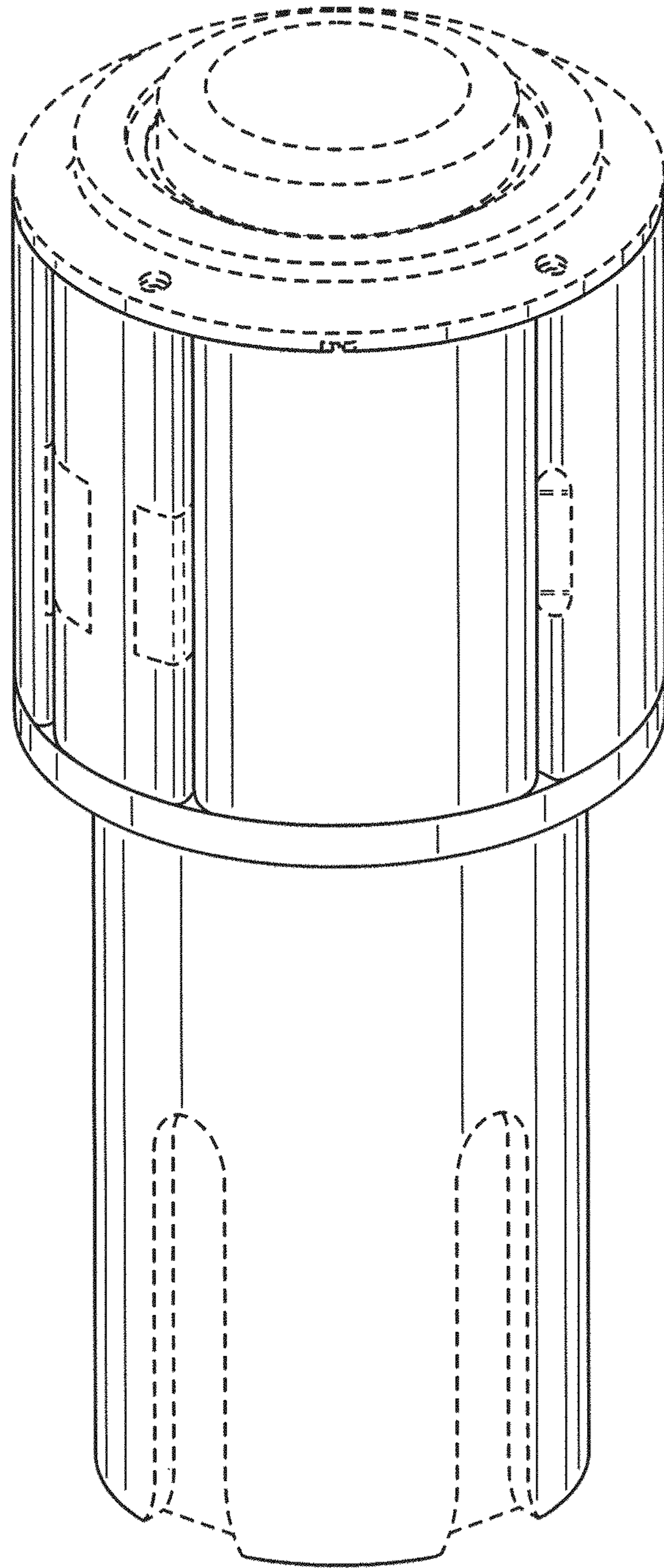


Fig. 2

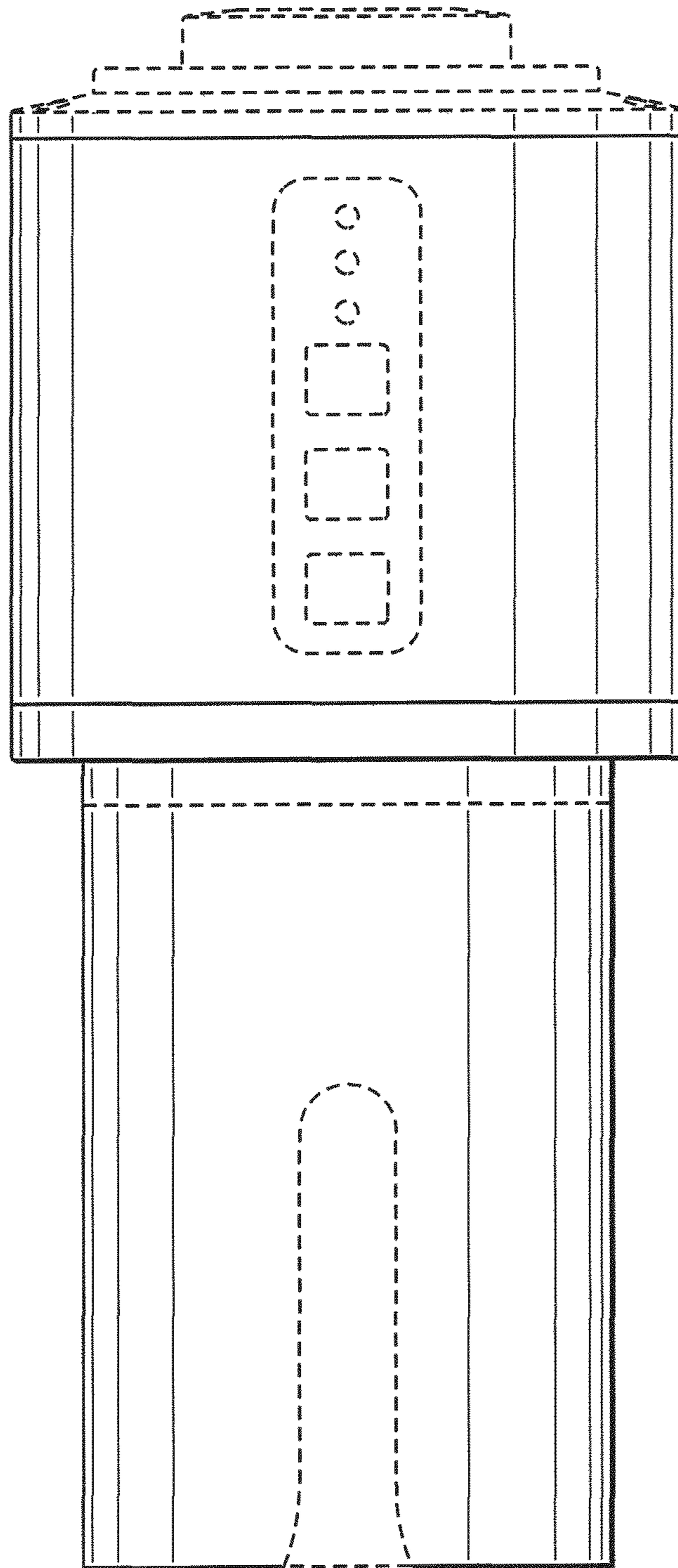


Fig. 3

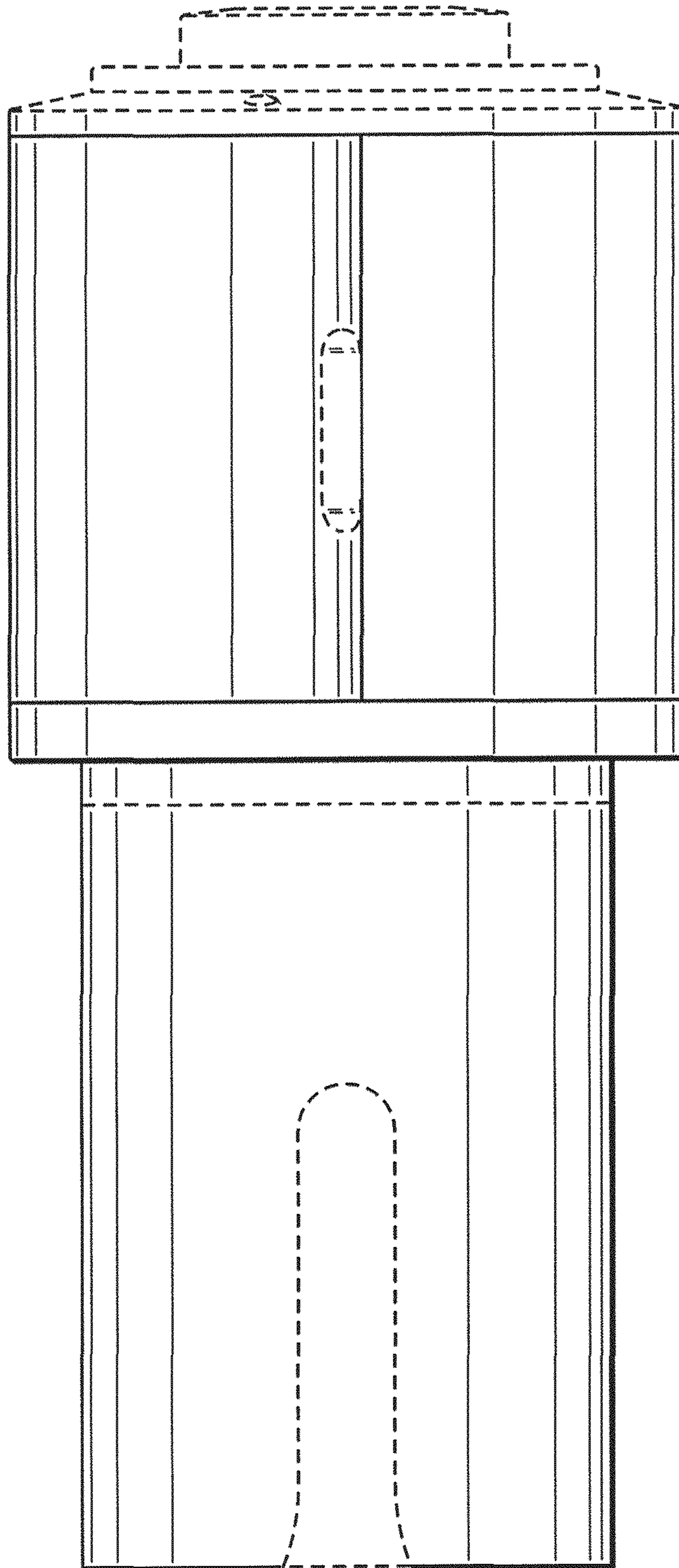


Fig. 4

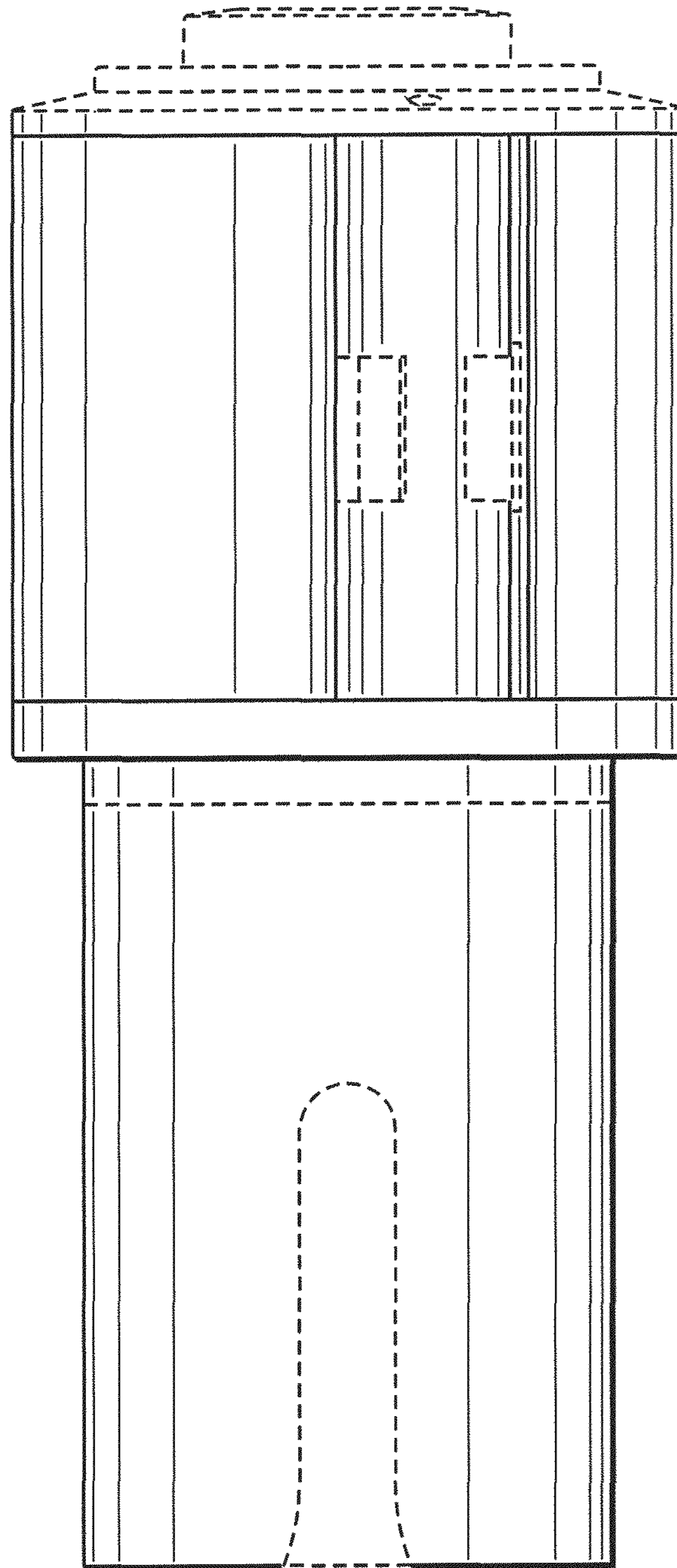


Fig. 5

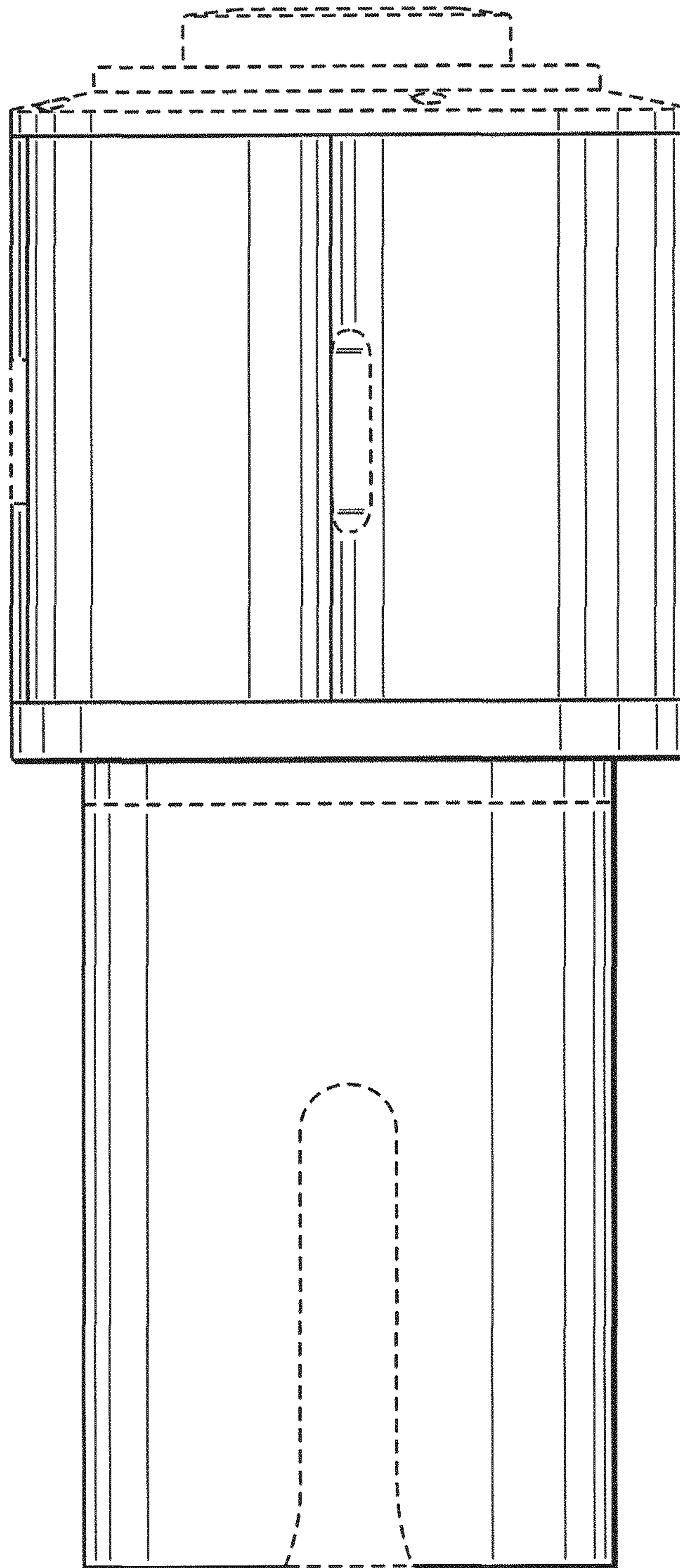


Fig. 6

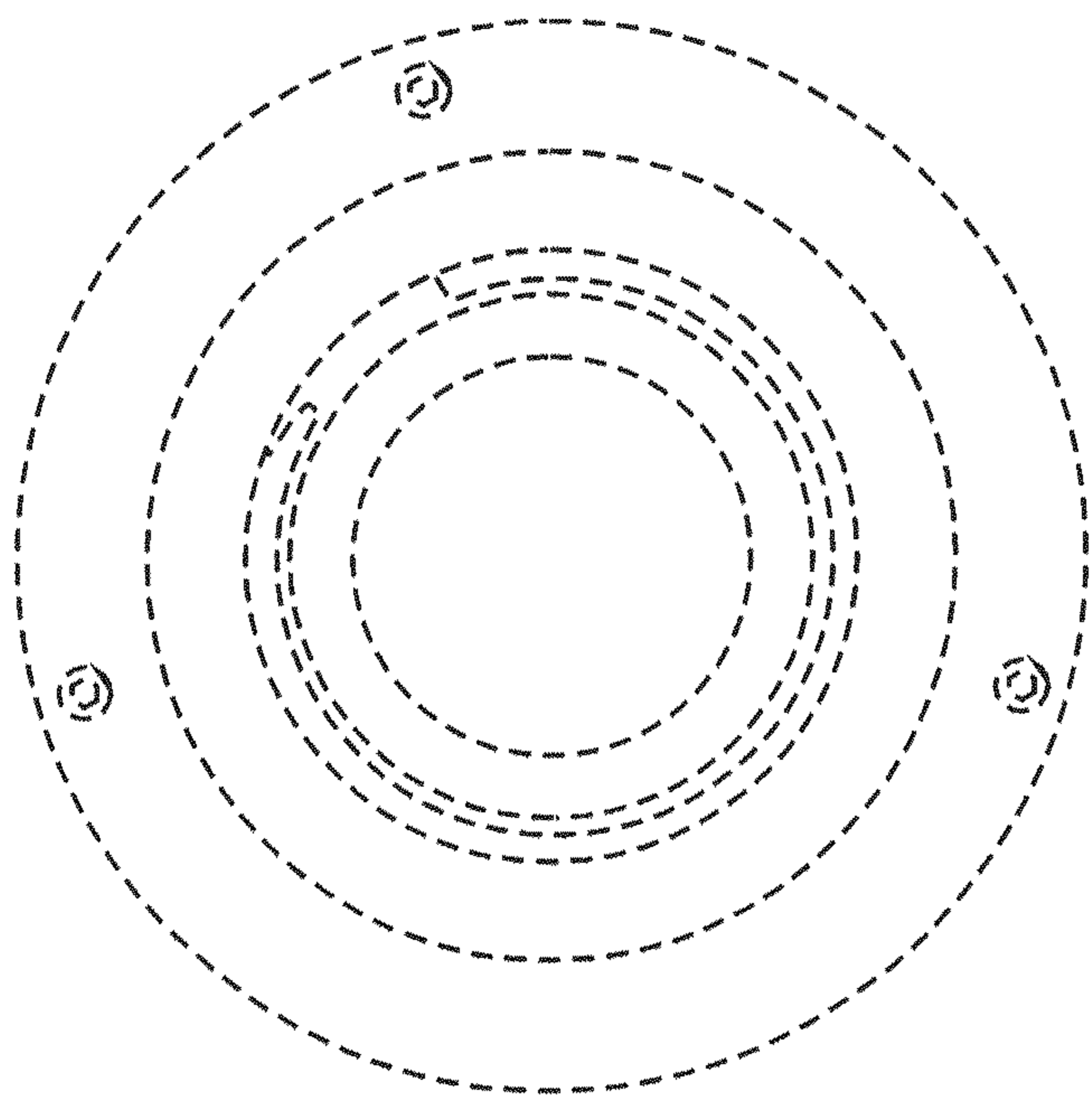


Fig. 7

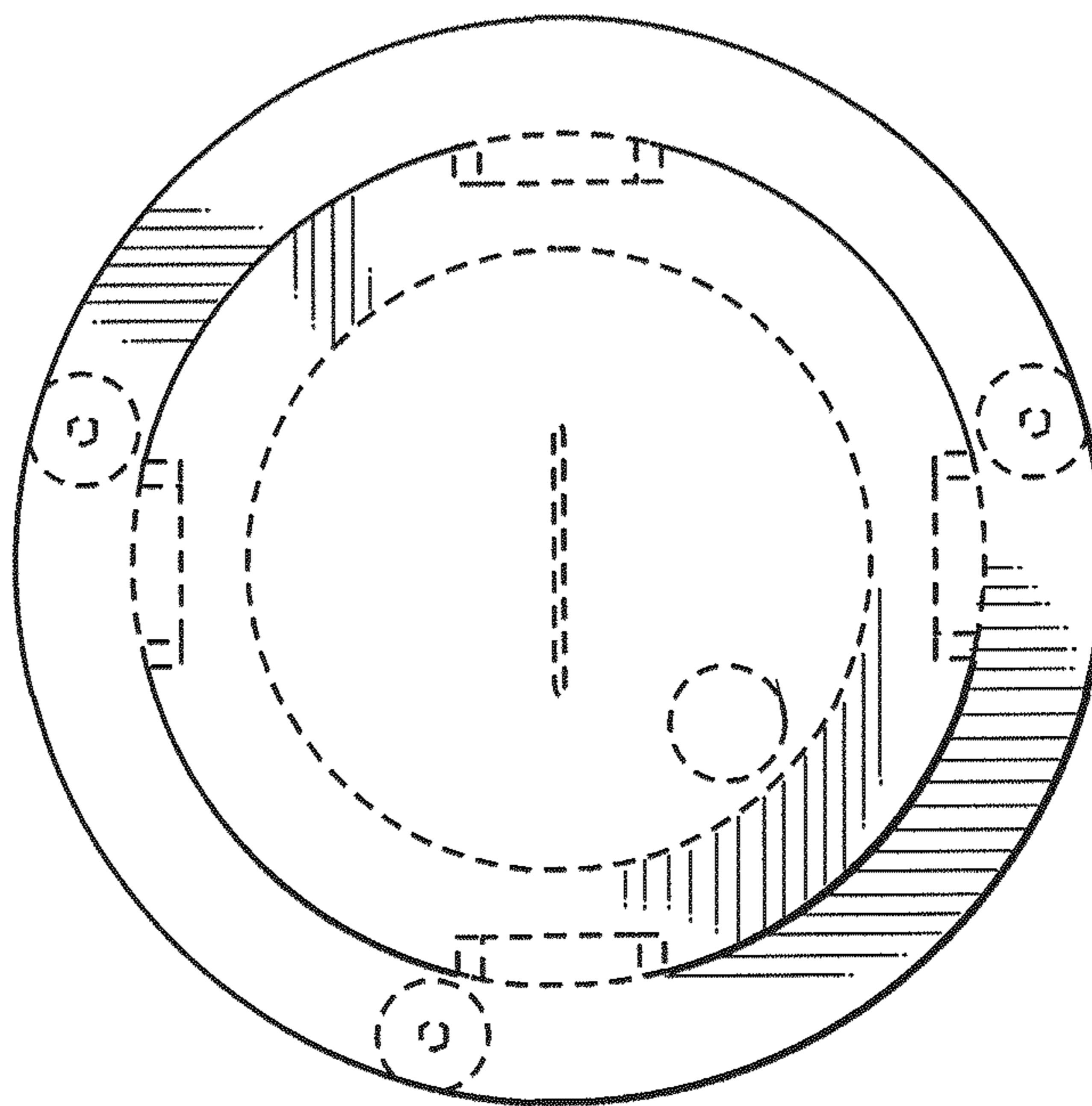


Fig. 8

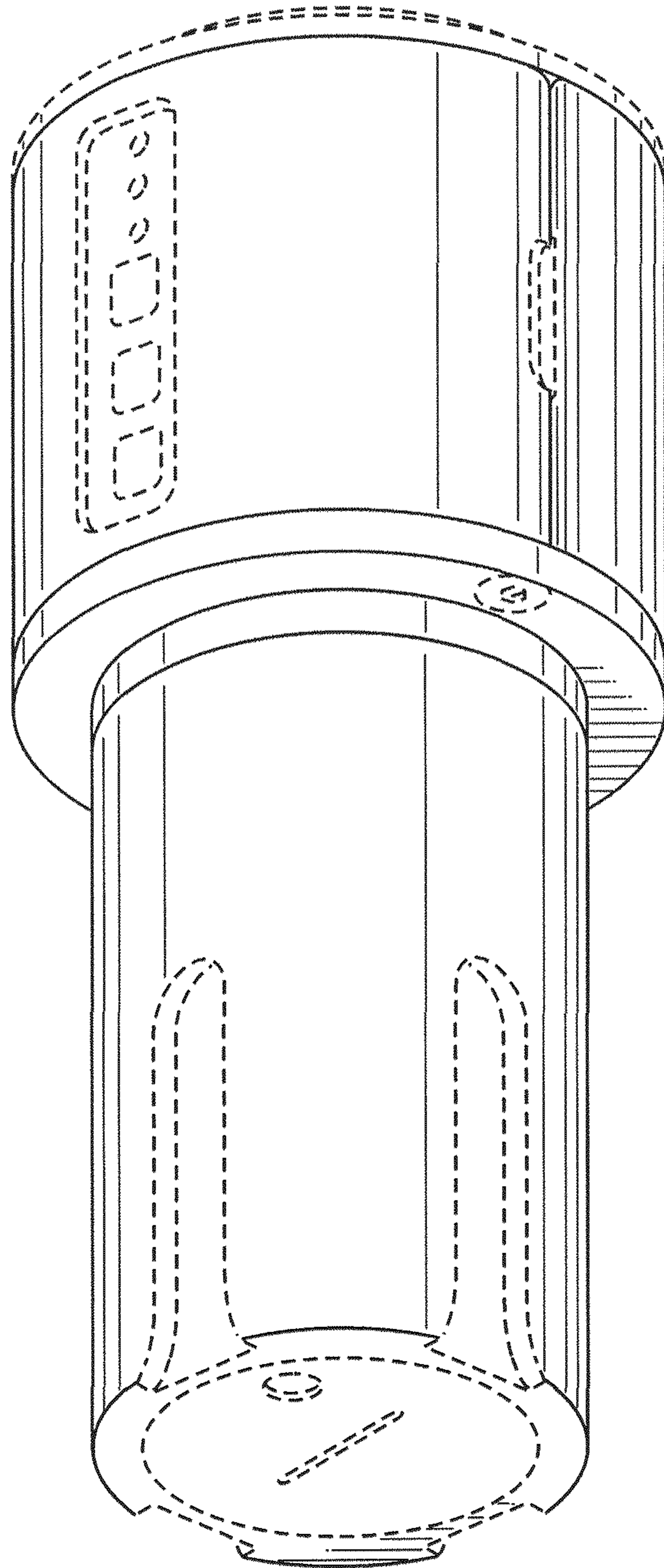


Fig. 9

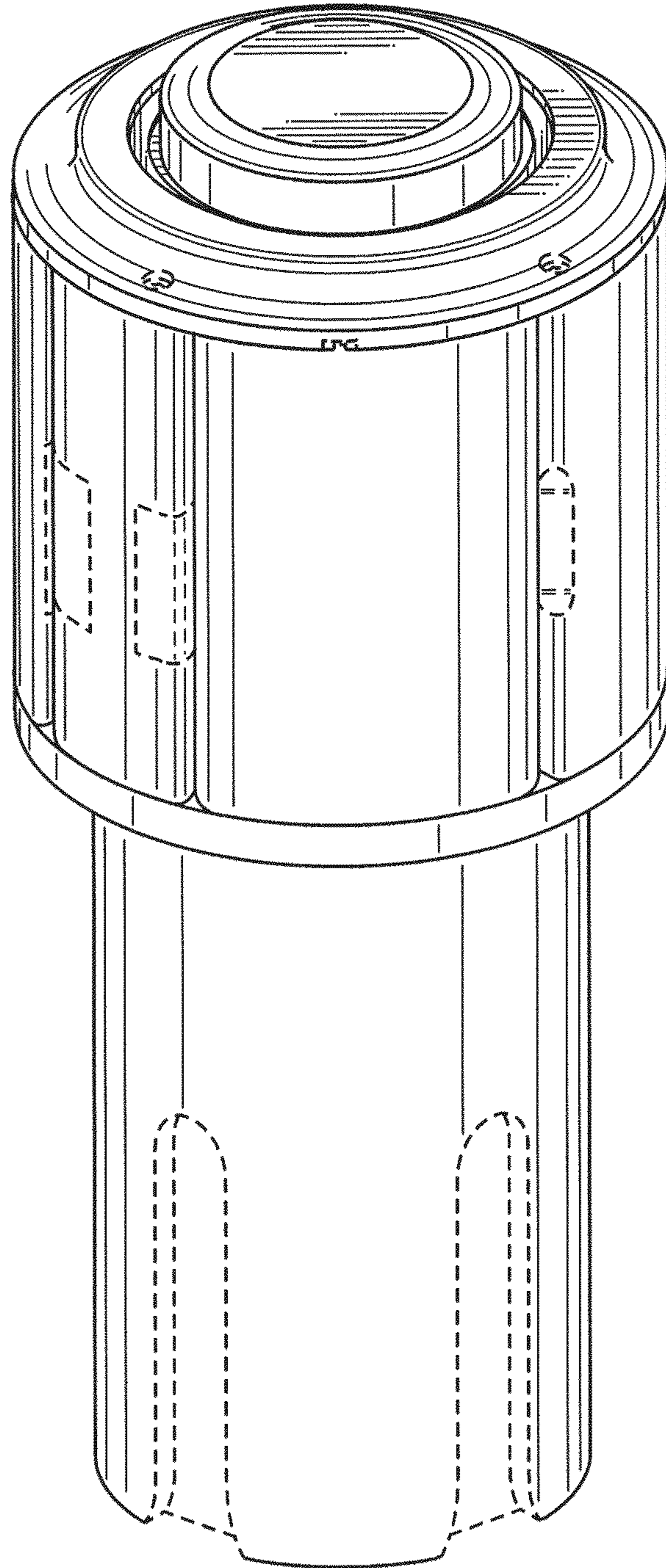


Fig. 10

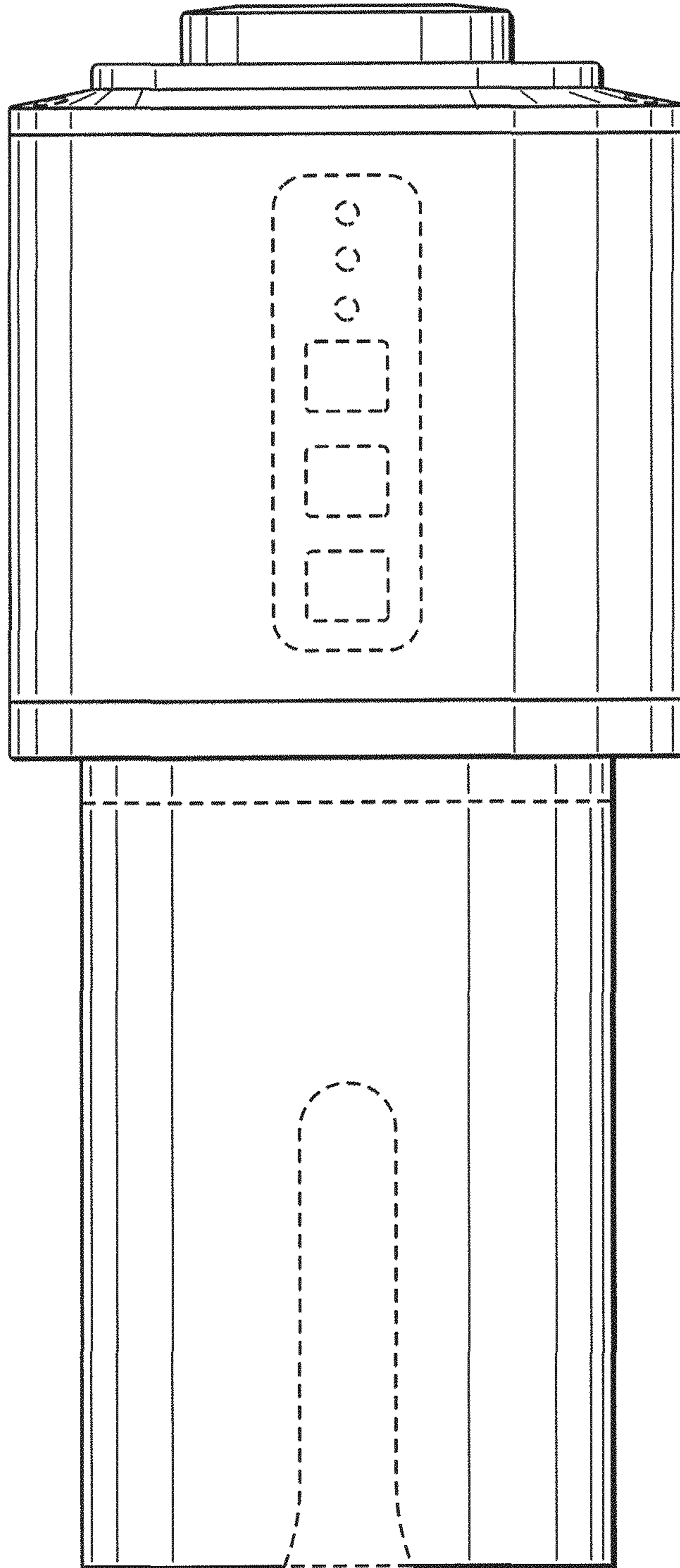


Fig. 11

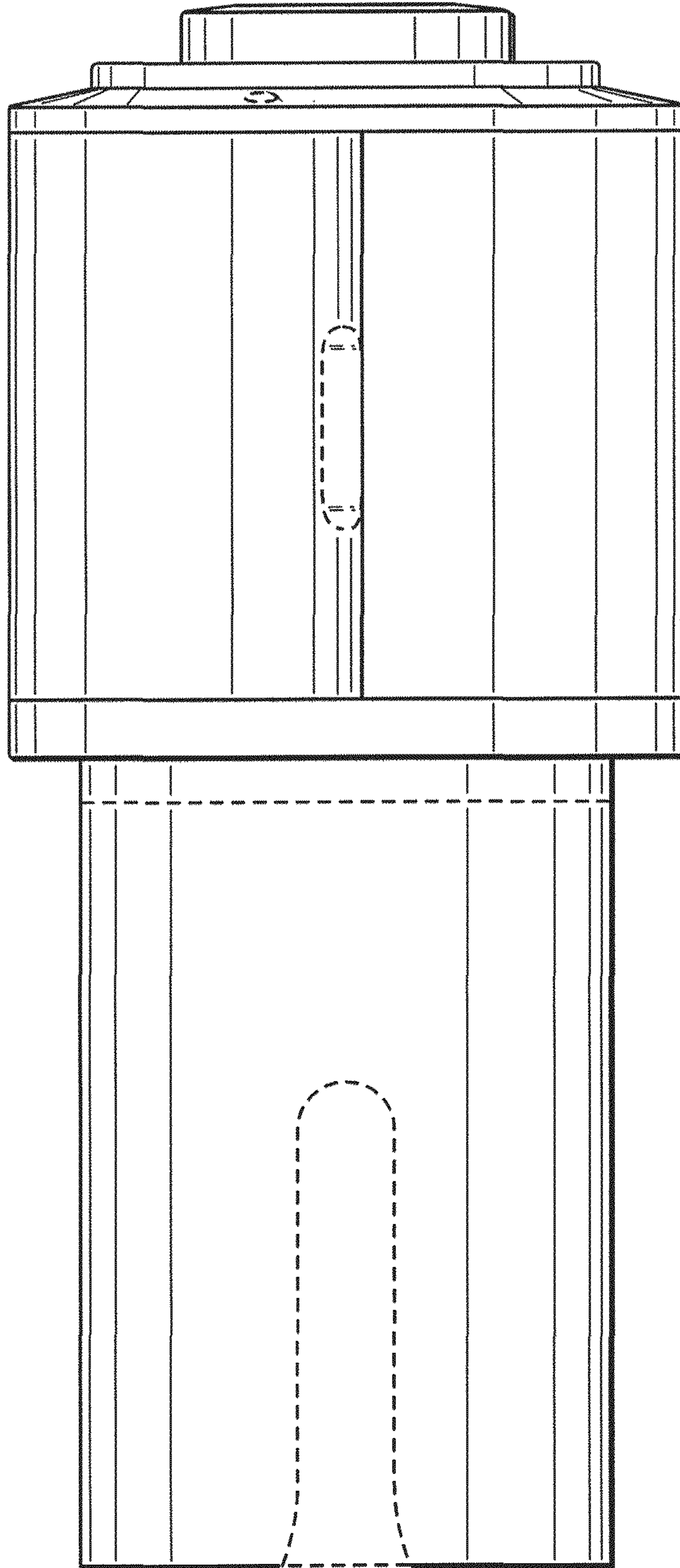


Fig. 12

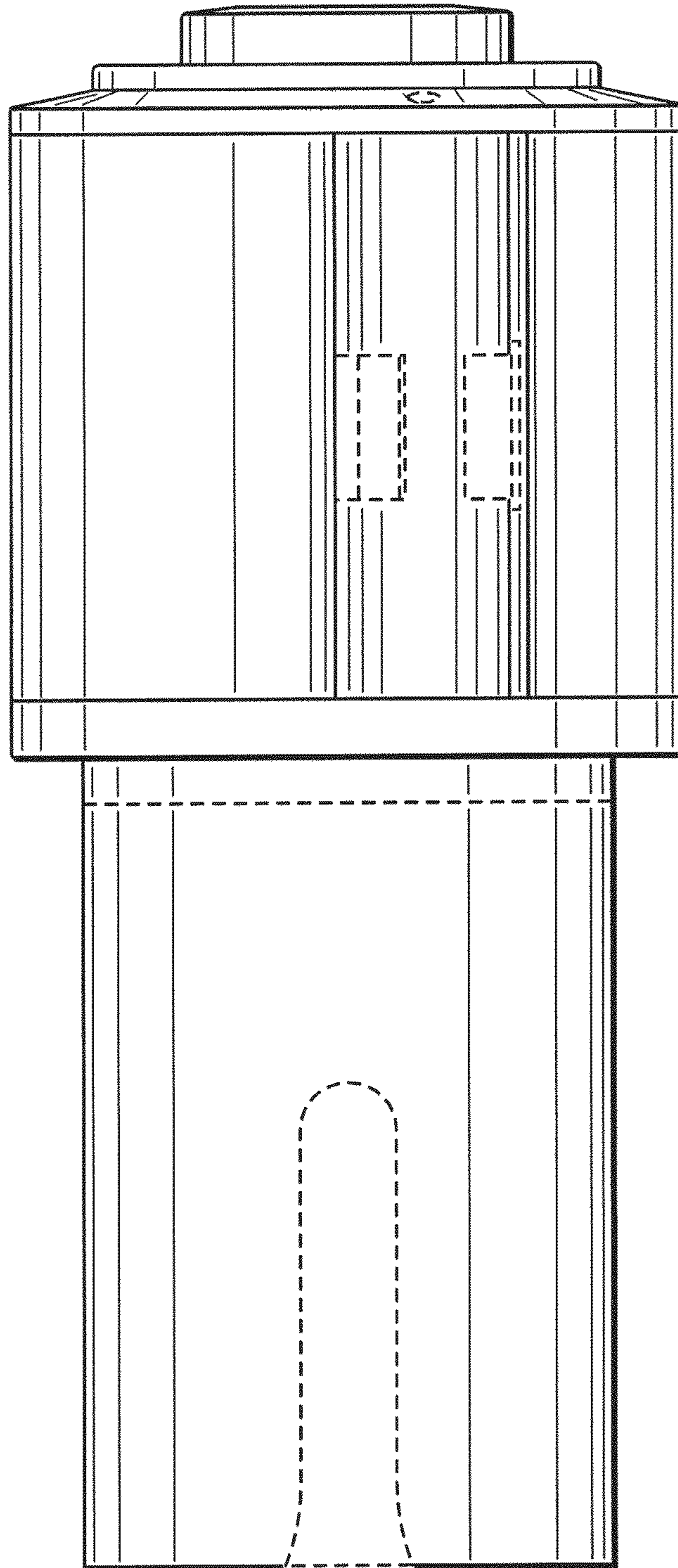


Fig. 13

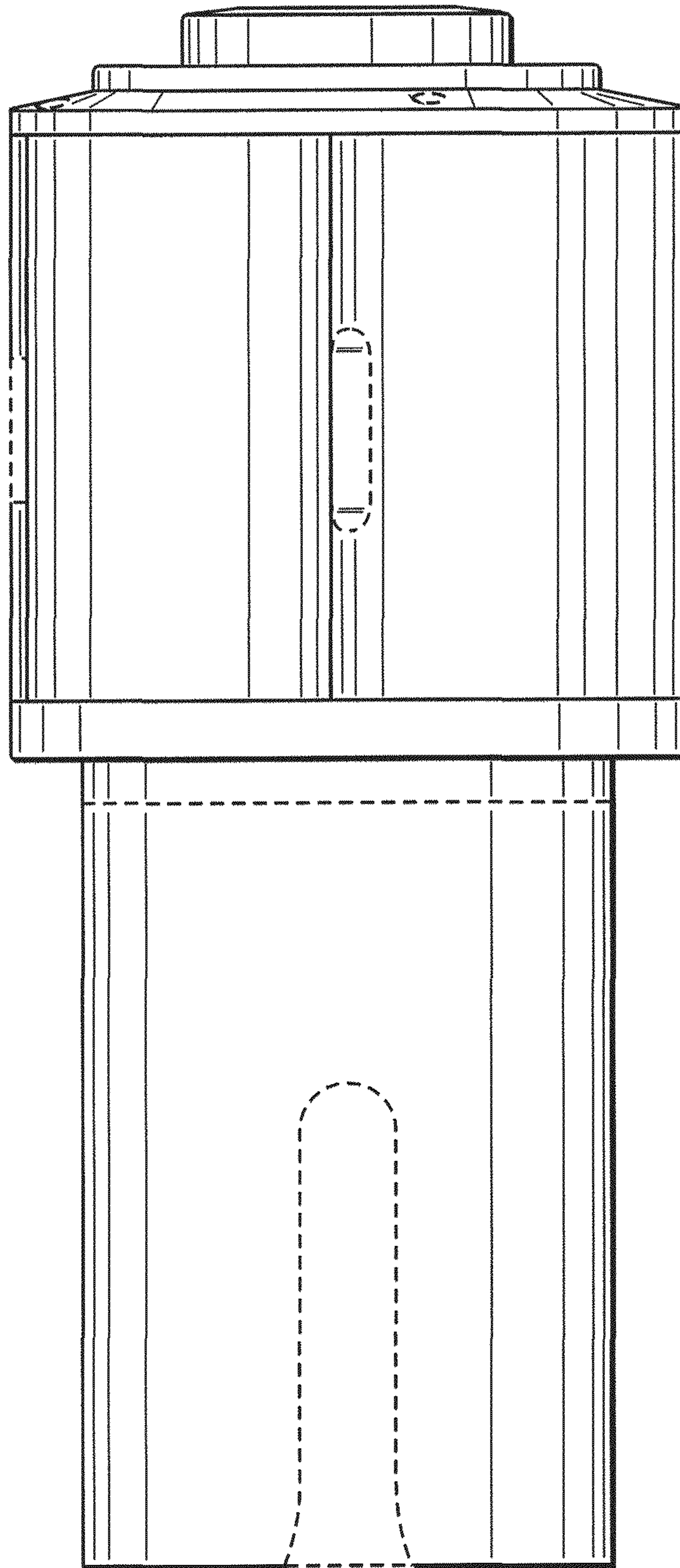


Fig. 14

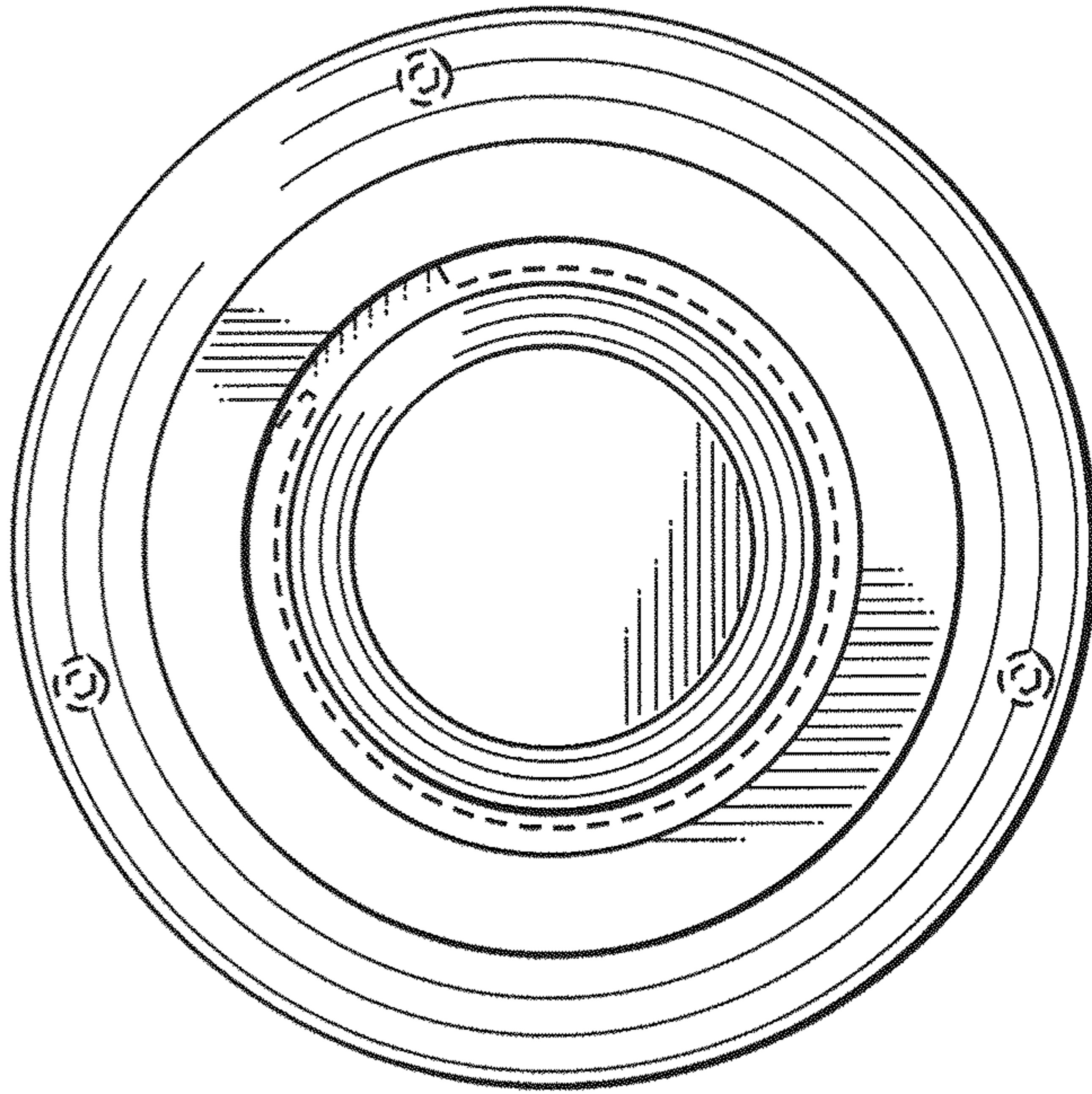


Fig. 15

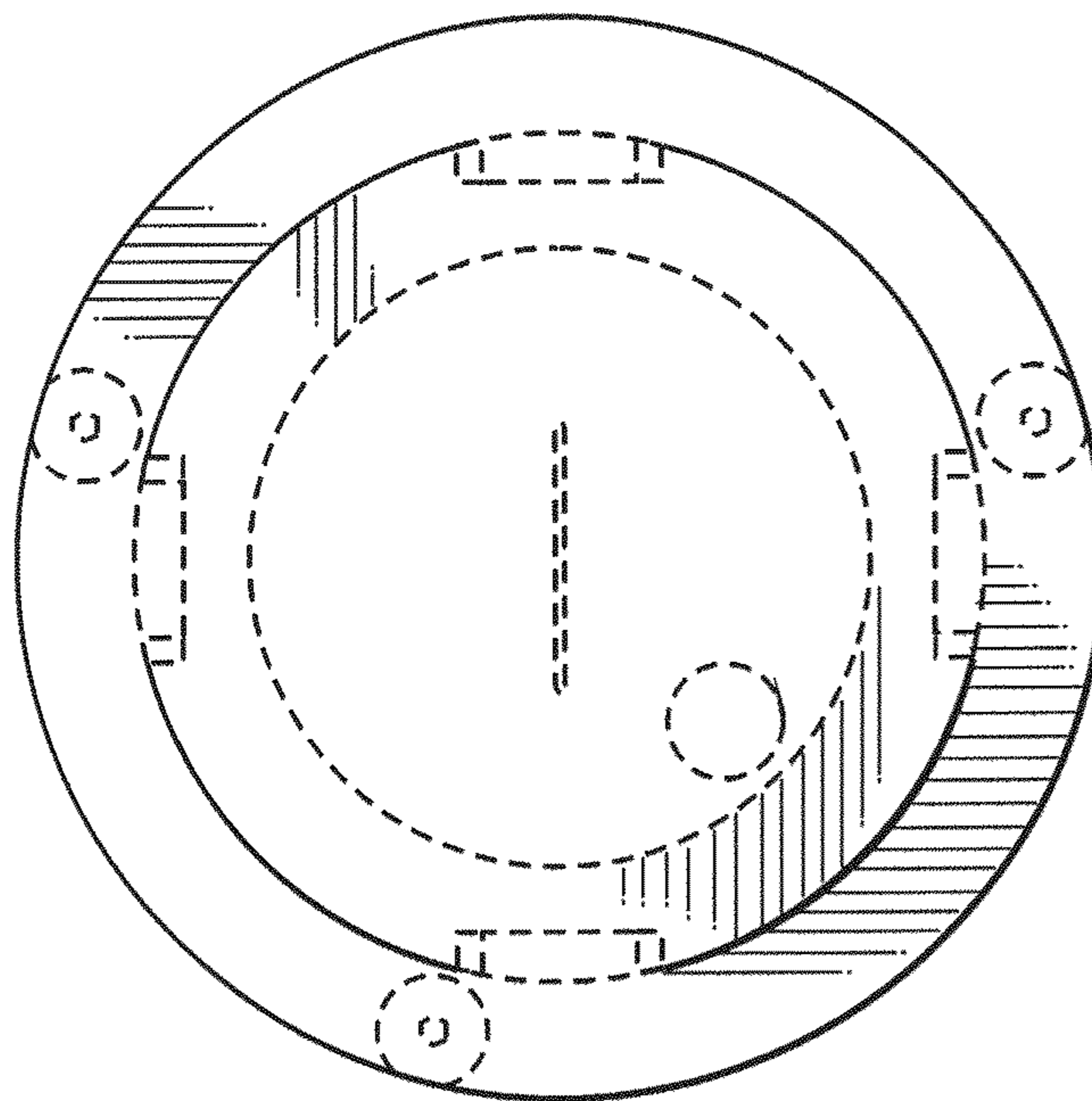


Fig. 16

