



US00D744553S

(12) **United States Design Patent**  
**Shibata et al.**

(10) **Patent No.:** **US D744,553 S**

(45) **Date of Patent:** **\*\* Dec. 1, 2015**

(54) **SAMPLE CRUSHING APPARATUS**

(71) Applicant: **Sysmex Corporation**, Kobe-shi, Hyogo (JP)

(72) Inventors: **Fumie Shibata**, Tokyo (JP); **Yoshinori Ooi**, Kobe (JP); **Keiichiro Shohmi**, Kobe (JP); **Kazuki Asao**, Kobe (JP)

(73) Assignee: **SYSMEX CORPORATION**, Kobe-Shi (JP)

(\*\*) Term: **14 Years**

(21) Appl. No.: **29/492,699**

(22) Filed: **Jun. 2, 2014**

(30) **Foreign Application Priority Data**

Dec. 4, 2013 (JP) ..... 2013-028395

(51) **LOC (10) Cl.** ..... **15-09**

(52) **U.S. Cl.**  
USPC ..... **D15/123**

(58) **Field of Classification Search**  
USPC ..... D15/122, 123, 135  
See application file for complete search history.

(56) **References Cited**

**U.S. PATENT DOCUMENTS**

D207,059	S	*	2/1967	Regal	.....	D14/469
3,578,780	A	*	5/1971	Peters	.....	241/89.4
3,868,903	A	*	3/1975	Montalbano	.....	100/45
D238,301	S	*	12/1975	Montalbano	.....	D15/123
D280,327	S	*	8/1985	Wilson	.....	D15/123
D286,643	S	*	11/1986	Carney et al.	.....	D15/123
D298,943	S	*	12/1988	Haager et al.	.....	D14/311
5,000,391	A	*	3/1991	LaPointe	.....	241/285.2
D331,414	S	*	12/1992	Long	.....	D15/123
D336,478	S	*	6/1993	Balbas et al.	.....	D15/123

D341,827	S	*	11/1993	Lai et al.	.....	D14/308
D362,673	S	*	9/1995	Yamamoto	.....	D18/19
D363,734	S	*	10/1995	Bianco et al.	.....	D18/50
5,556,039	A	*	9/1996	Minamimura et al.	.....	241/18
5,628,465	A	*	5/1997	Locker et al.	.....	241/34
D413,339	S	*	8/1999	Wales, Jr.	.....	D15/123
5,939,008	A	*	8/1999	Comb et al.	.....	264/308
D420,371	S	*	2/2000	Strong et al.	.....	D15/135
D432,160	S	*	10/2000	Kabumoto et al.	.....	D18/37
6,792,398	B1	*	9/2004	Handley et al.	.....	703/2
D506,465	S	*	6/2005	Geeng	.....	D14/308
D565,648	S	*	4/2008	Egami	.....	D18/50
D598,906	S	*	8/2009	Chiba et al.	.....	D14/240
D602,019	S	*	10/2009	Wang et al.	.....	D14/356
D604,343	S	*	11/2009	Murakami et al.	.....	D15/123
D711,463	S	*	8/2014	Costabeber	.....	D18/50
2004/0262803	A1	*	12/2004	Neilsen et al.	.....	264/113

\* cited by examiner

*Primary Examiner* — Patricia Palasik

(74) *Attorney, Agent, or Firm* — Brinks Gilson & Lione

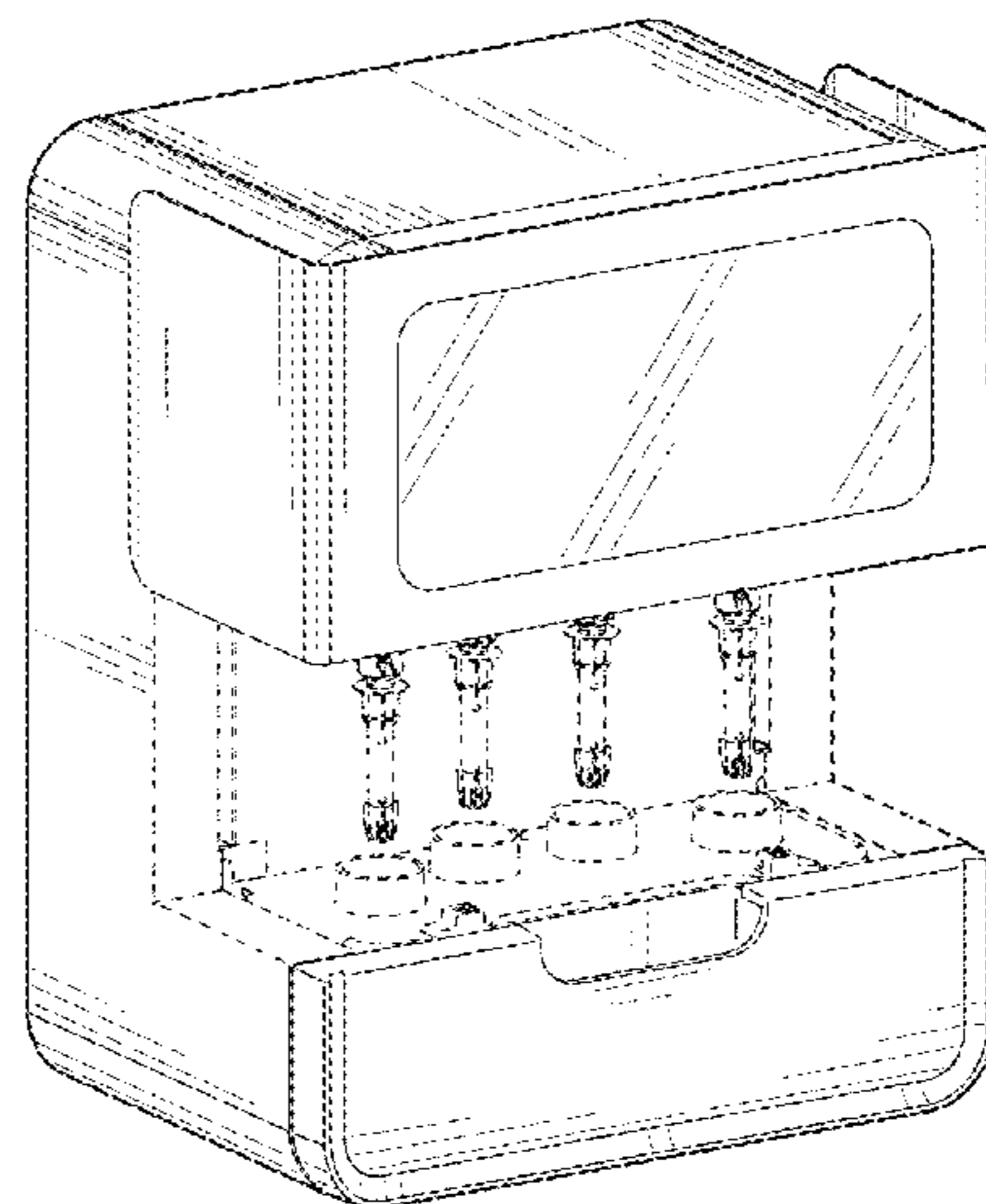
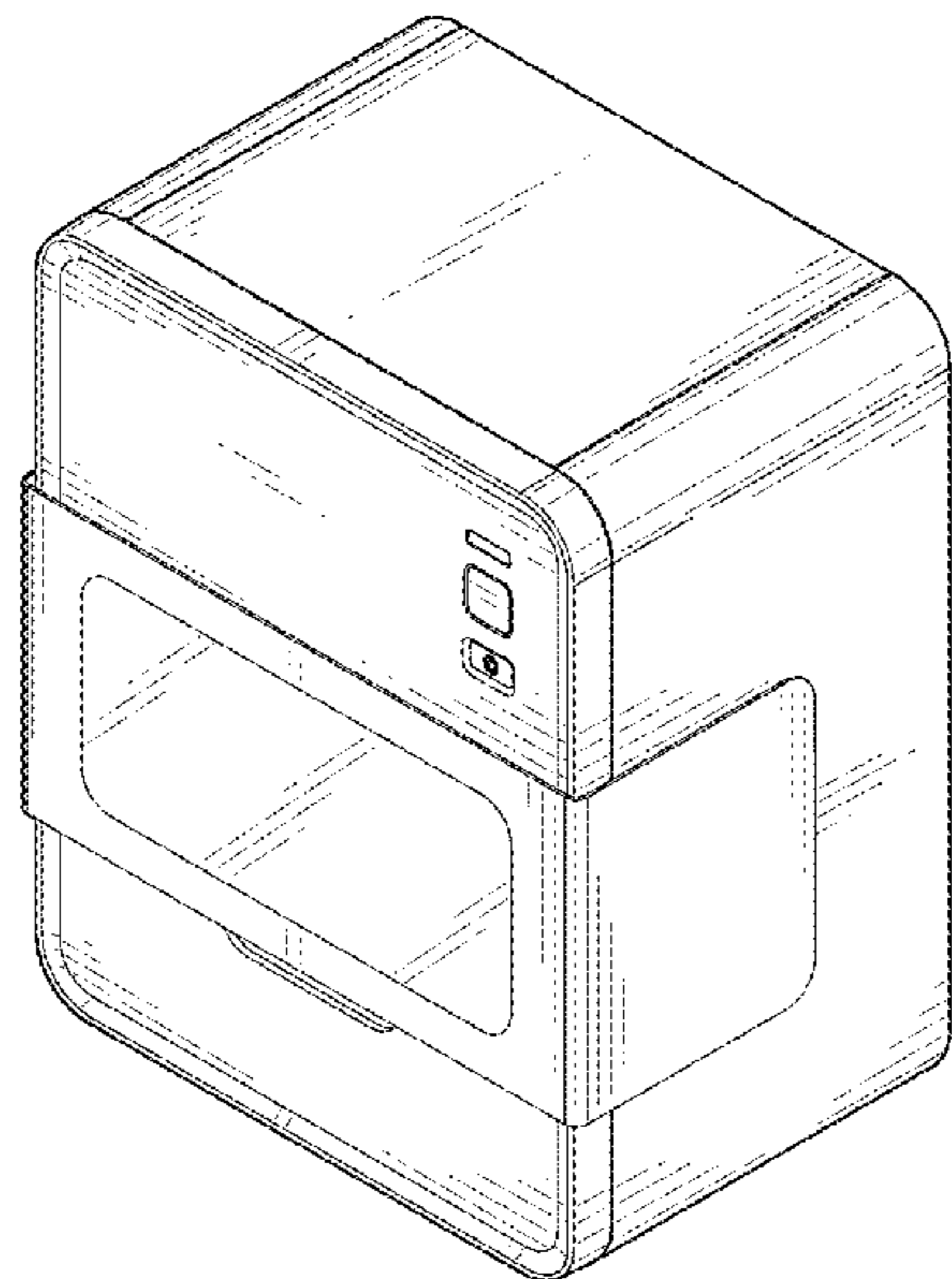
(57) **CLAIM**

We claim the ornamental design for a sample crushing apparatus, as shown and described.

**DESCRIPTION**

FIG. 1 is a front perspective view of a sample crushing apparatus of the present invention;  
 FIG. 2 is a front view thereof;  
 FIG. 3 is a rear view thereof;  
 FIG. 4 is a first side view thereof;  
 FIG. 5 is a second side view thereof;  
 FIG. 6 is a top view thereof;  
 FIG. 7 is a bottom view thereof; and,  
 FIG. 8 is a front perspective view thereof with a cover being in a raised position.  
 The broken line showing of printed circuit board is included for the purpose of illustrating environment and forms no part of the claimed design.

**1 Claim, 4 Drawing Sheets**



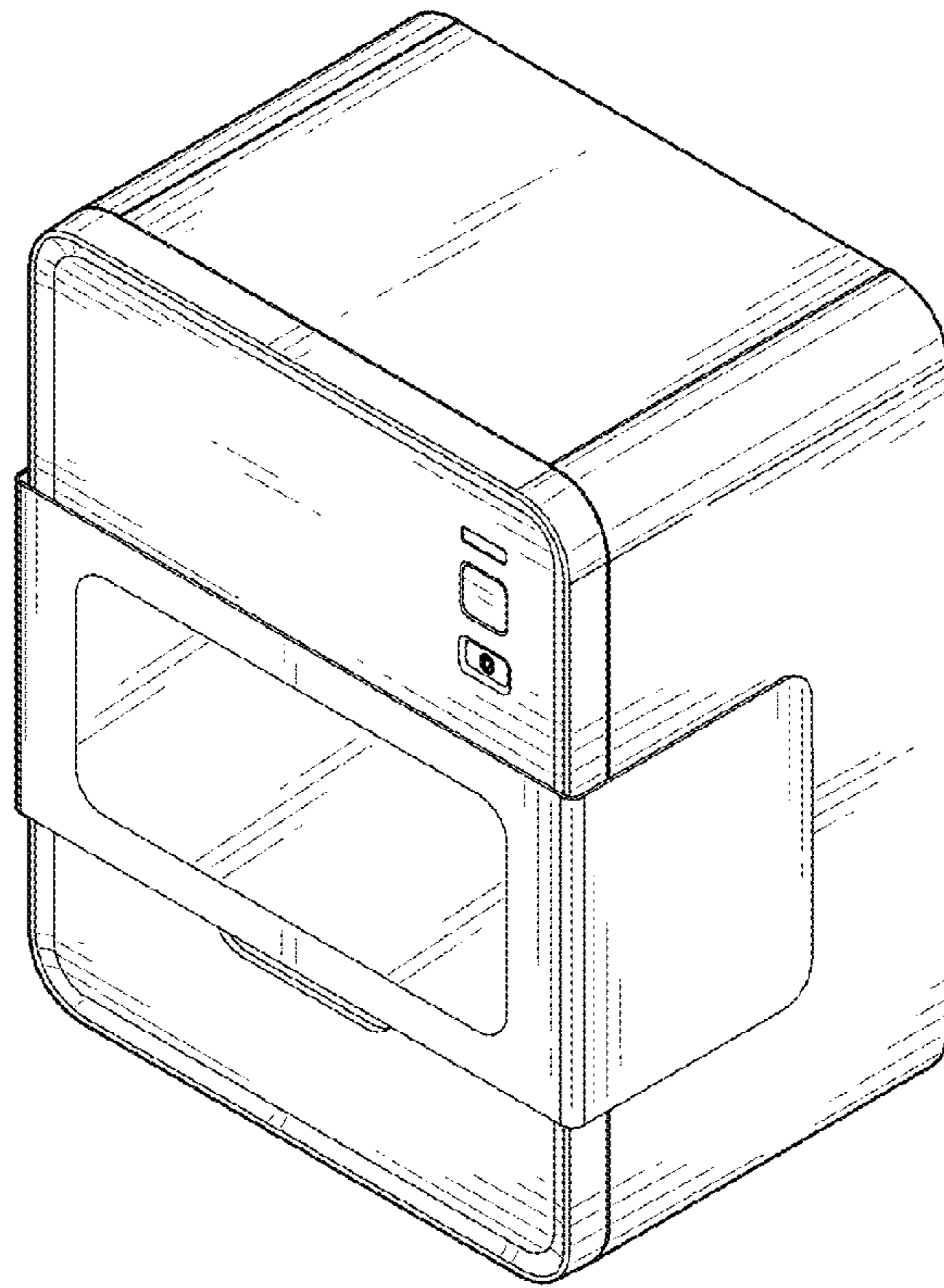


FIG. 1

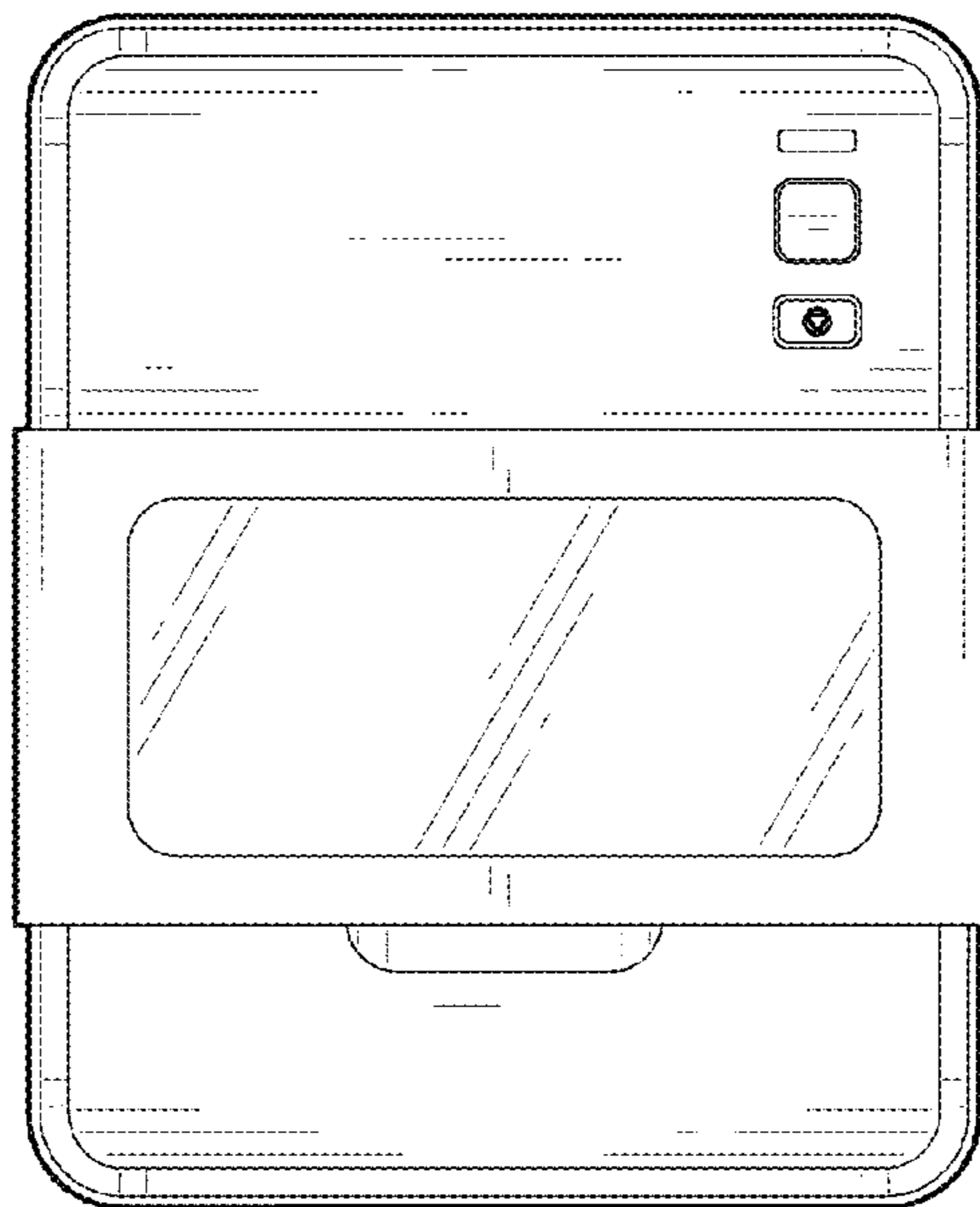


FIG. 2

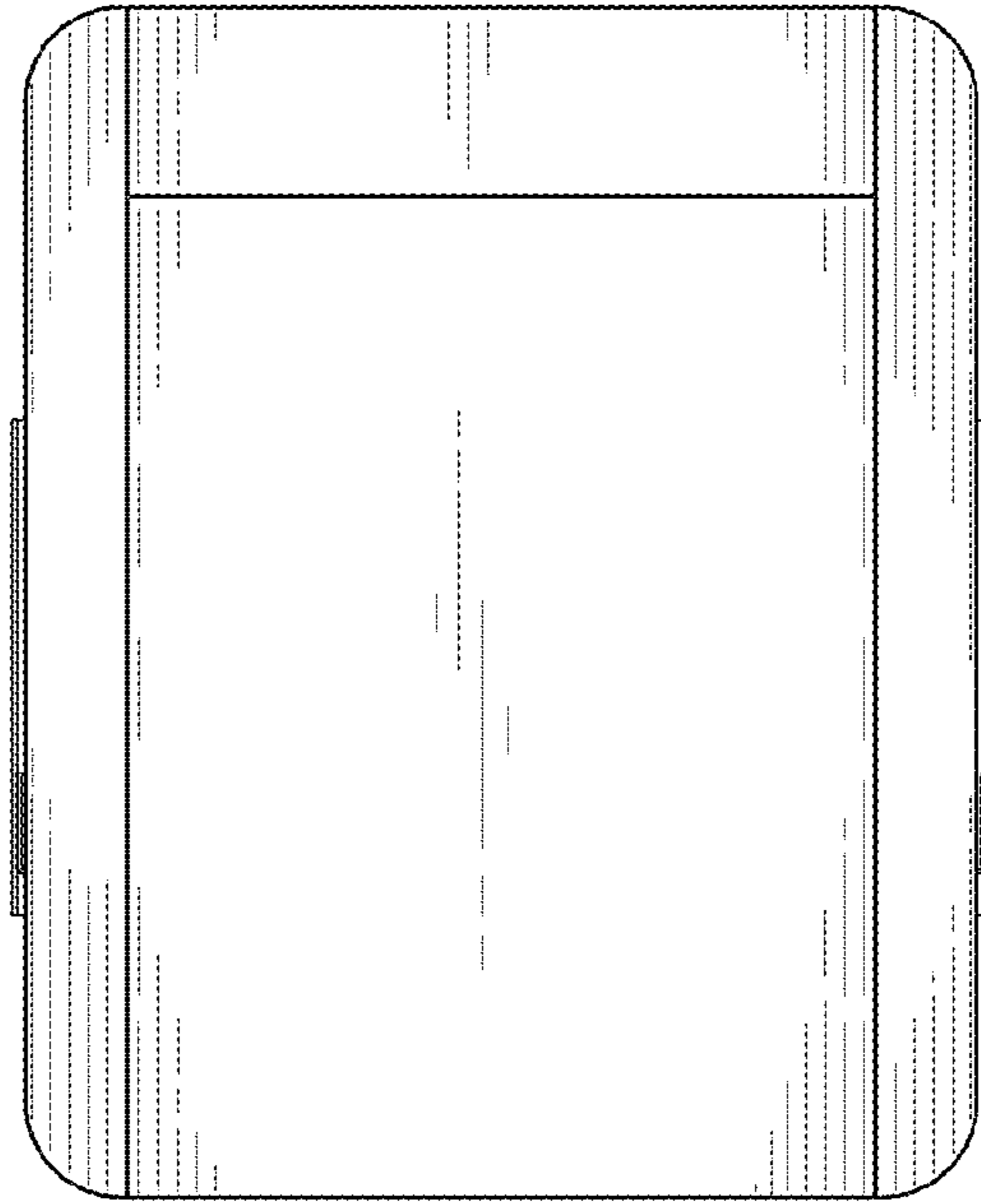


FIG. 3

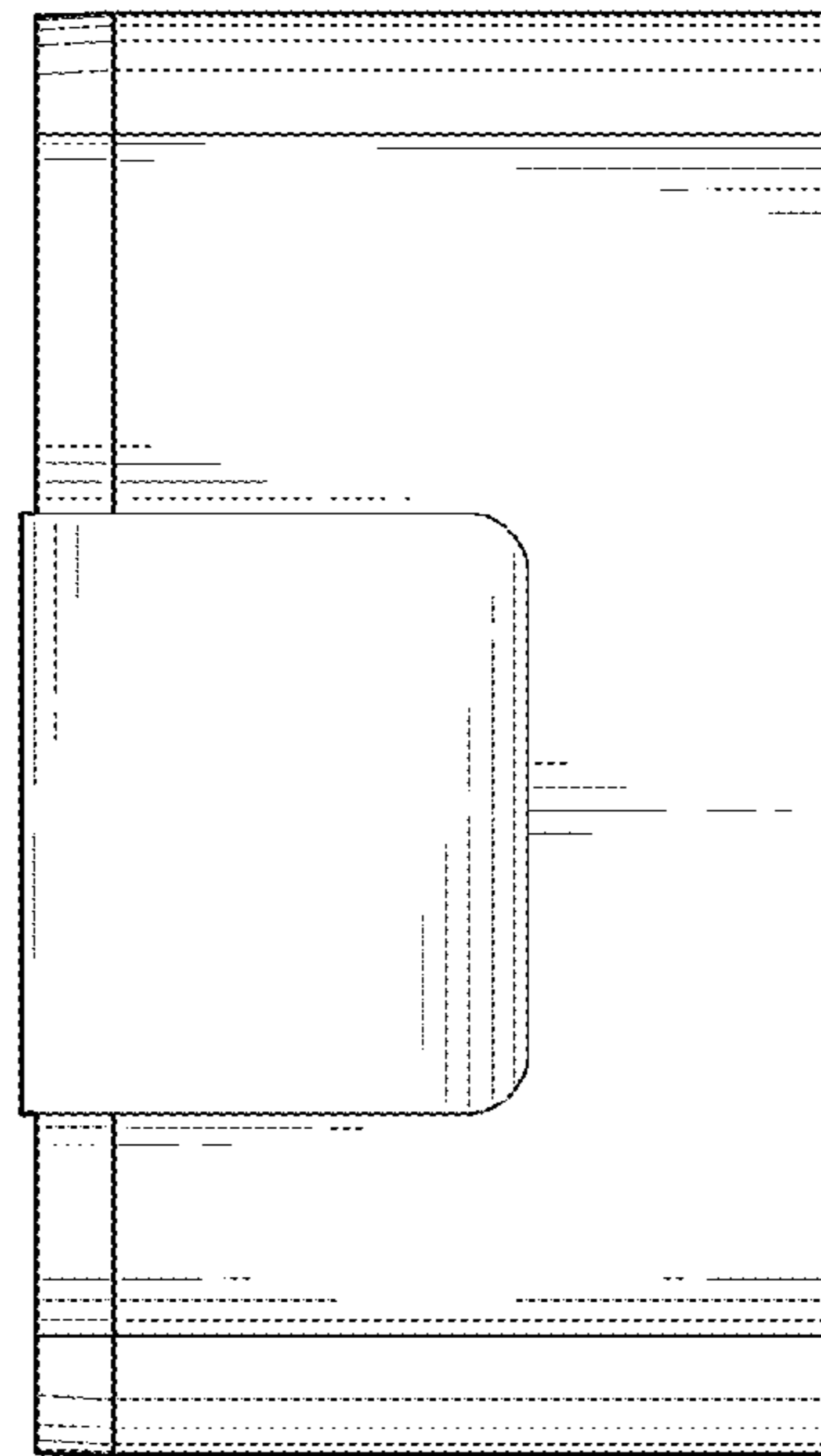


FIG. 4

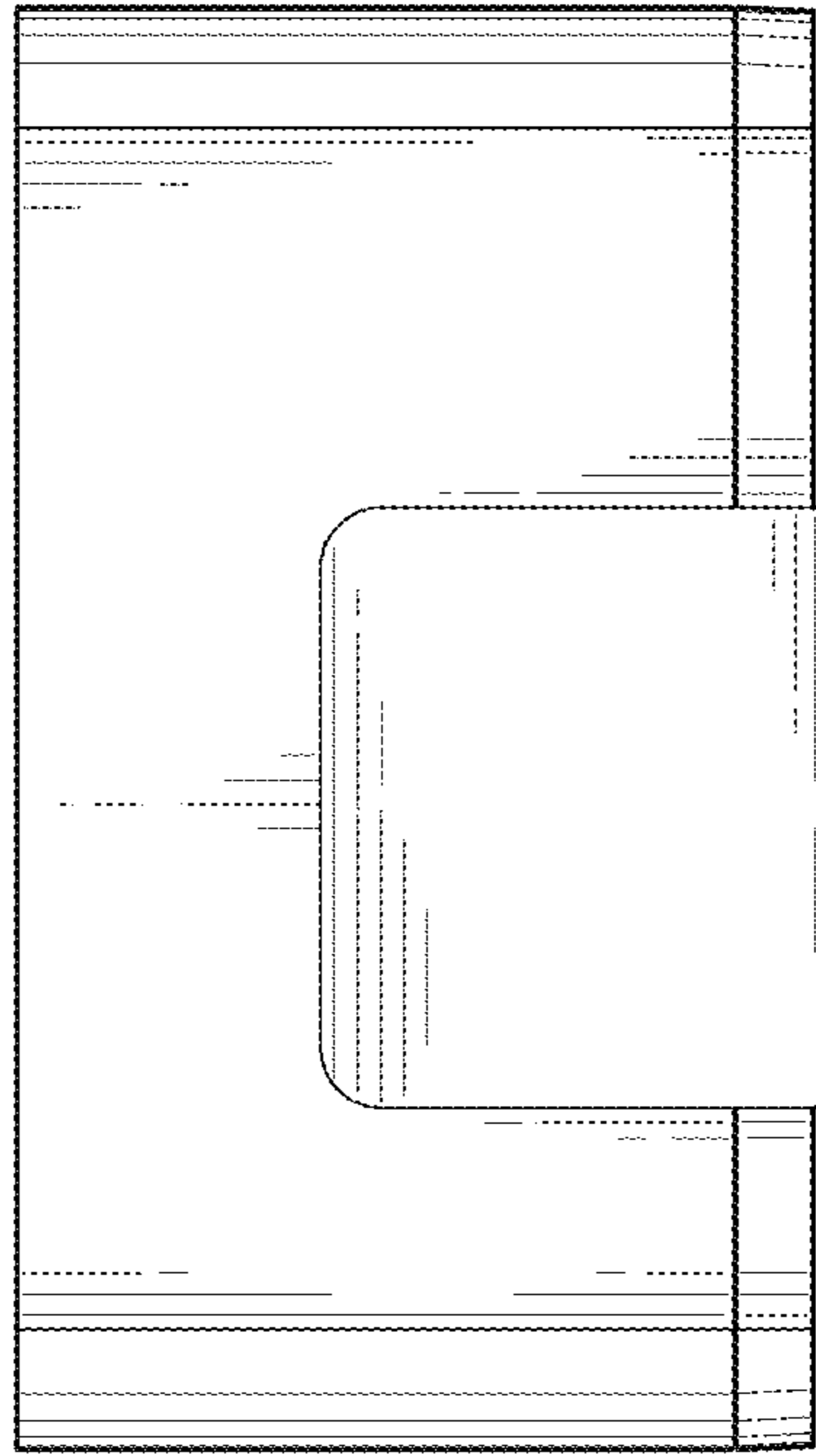


FIG. 5

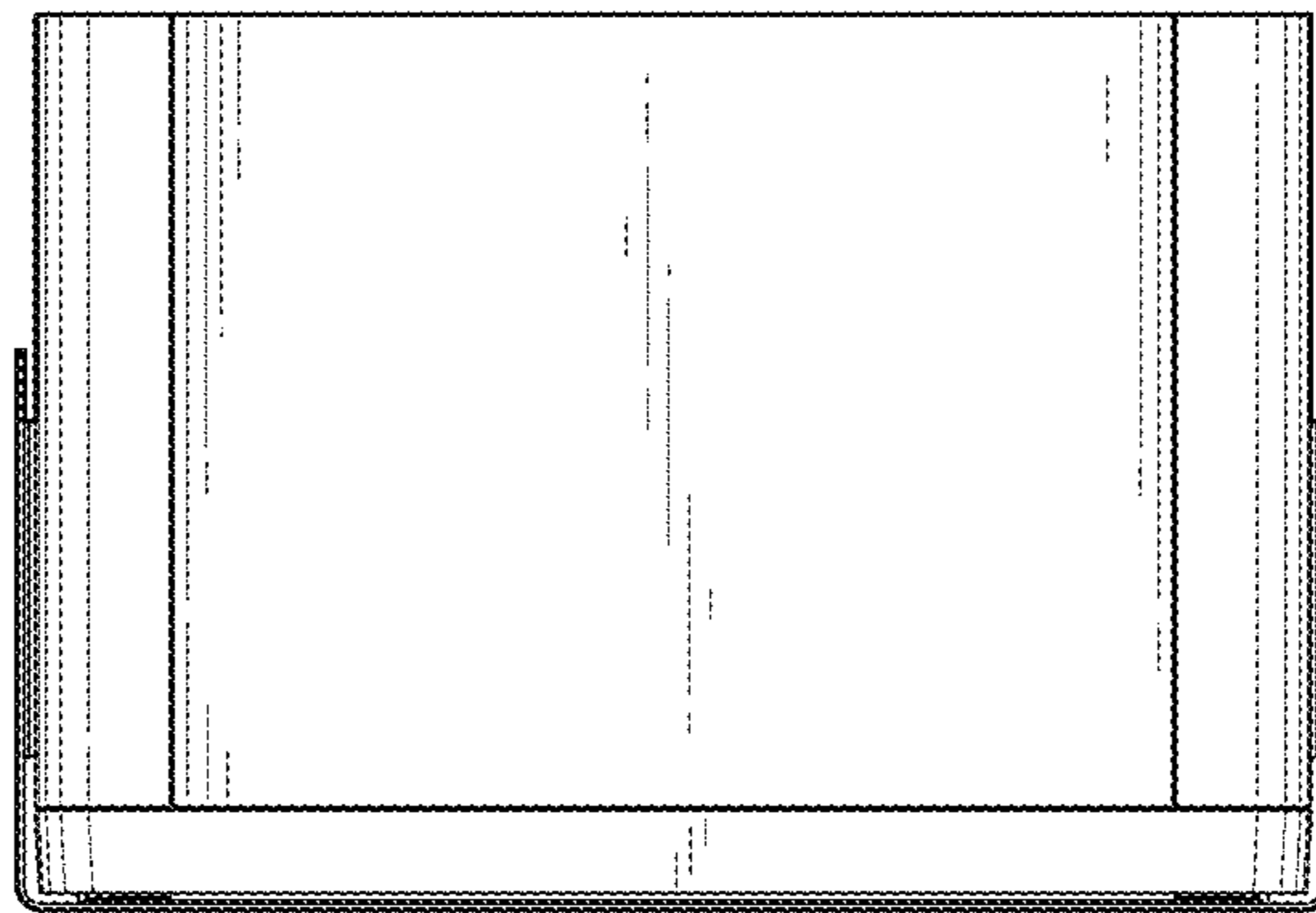


FIG. 6

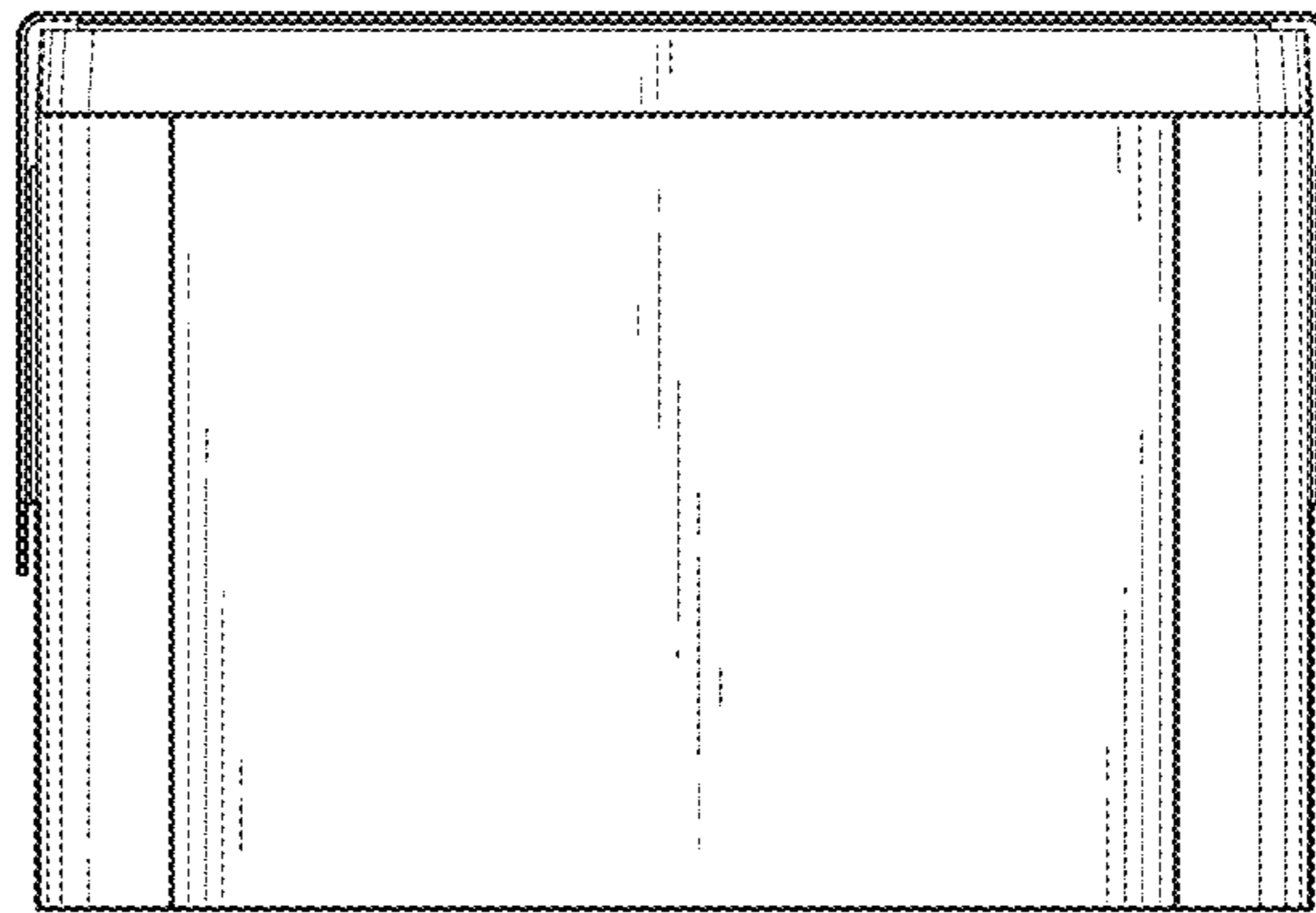


FIG. 7

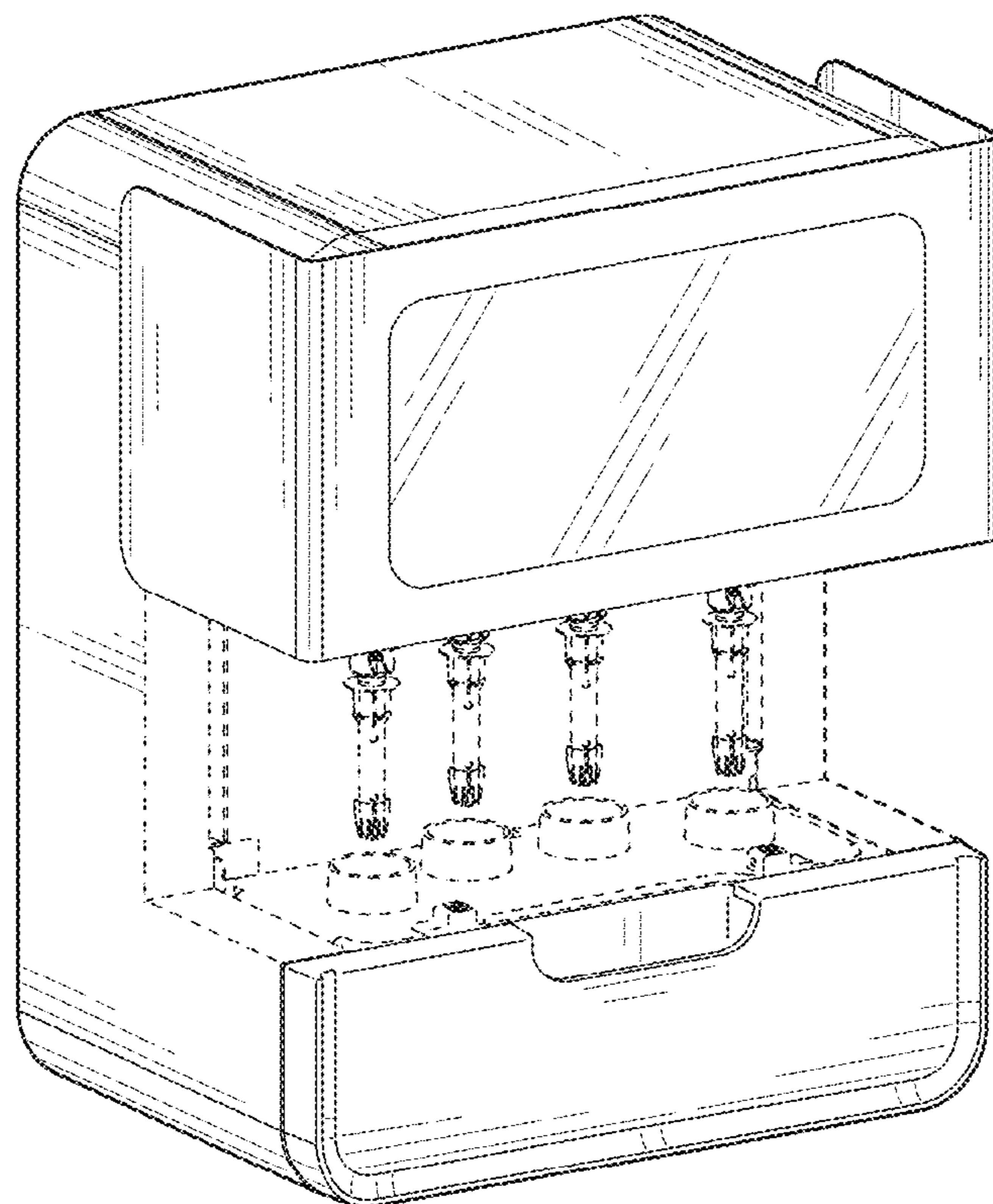


FIG. 8