



US00D744548S

(12) **United States Design Patent**  
**Shin et al.**

(10) **Patent No.:** **US D744,548 S**  
(45) **Date of Patent:** **\*\* Dec. 1, 2015**

(54) **SHELF FOR REFRIGERATOR**

(71) Applicant: **LG Electronics Inc.**, Seoul (KR)

(72) Inventors: **Daekee Shin**, Seoul (KR); **Seonkyu Kim**, Seoul (KR); **Seongahn Jeon**, Seoul (KR); **Insun Yeo**, Seoul (KR)

(73) Assignee: **LG Electronics Inc.**, Seoul (KR)

(\*\*) Term: **14 Years**

(21) Appl. No.: **29/497,180**

(22) Filed: **Jul. 22, 2014**

(30) **Foreign Application Priority Data**

Jan. 22, 2014 (KR) ..... 30-2014-0003708

(51) **LOC (10) Cl.** ..... **15-07**

(52) **U.S. Cl.**  
USPC ..... **D15/89**

(58) **Field of Classification Search**  
USPC ..... D15/79-91  
CPC ..... F25D 23/028; F25D 23/02; F25D 25/025;  
F25D 23/00; F25D 2323/021; F25D 11/00;  
F25D 2323/024; F25D 23/04; F25D 29/00;  
F25D 25/02; F25D 25/024; F25D 27/005;  
F25D 23/12; F25D 29/005; F25D 17/042;  
F25D 2325/021; F25D 2323/02

See application file for complete search history.

(56) **References Cited**

U.S. PATENT DOCUMENTS

D385,287 S *	10/1997	Westcott	.....	D15/89
D709,927 S *	7/2014	Park et al.	.....	D15/89
D710,404 S *	8/2014	Park et al.	.....	D15/89
D711,943 S *	8/2014	Park et al.	.....	D15/89
D714,840 S *	10/2014	Yang et al.	.....	D15/89
D716,850 S *	11/2014	Seo et al.	.....	D15/89

\* cited by examiner

*Primary Examiner* — Daniel Bui

*Assistant Examiner* — Khawaja Anwar

(74) *Attorney, Agent, or Firm* — Morgan, Lewis & Bockius LLP

(57) **CLAIM**

The ornamental design for a shelf for refrigerator, as shown and described.

**DESCRIPTION**

FIG. 1 is a perspective view of a shelf for refrigerator showing our new design;  
FIG. 2 is a front view thereof;  
FIG. 3 is a rear view thereof;  
FIG. 4 is a left side view thereof;  
FIG. 5 is a right side view thereof;  
FIG. 6 is a top plan view thereof;  
FIG. 7 is a bottom plan view thereof;  
FIG. 8 is a perspective view thereof, in use condition;  
FIG. 9 is a perspective view thereof, in an alternate use condition; and,  
FIG. 10 is a perspective view thereof, in an alternate use condition.  
The broken line in the figure drawings represents unclaimed environment only and forms no part of the claimed design.

**1 Claim, 10 Drawing Sheets**

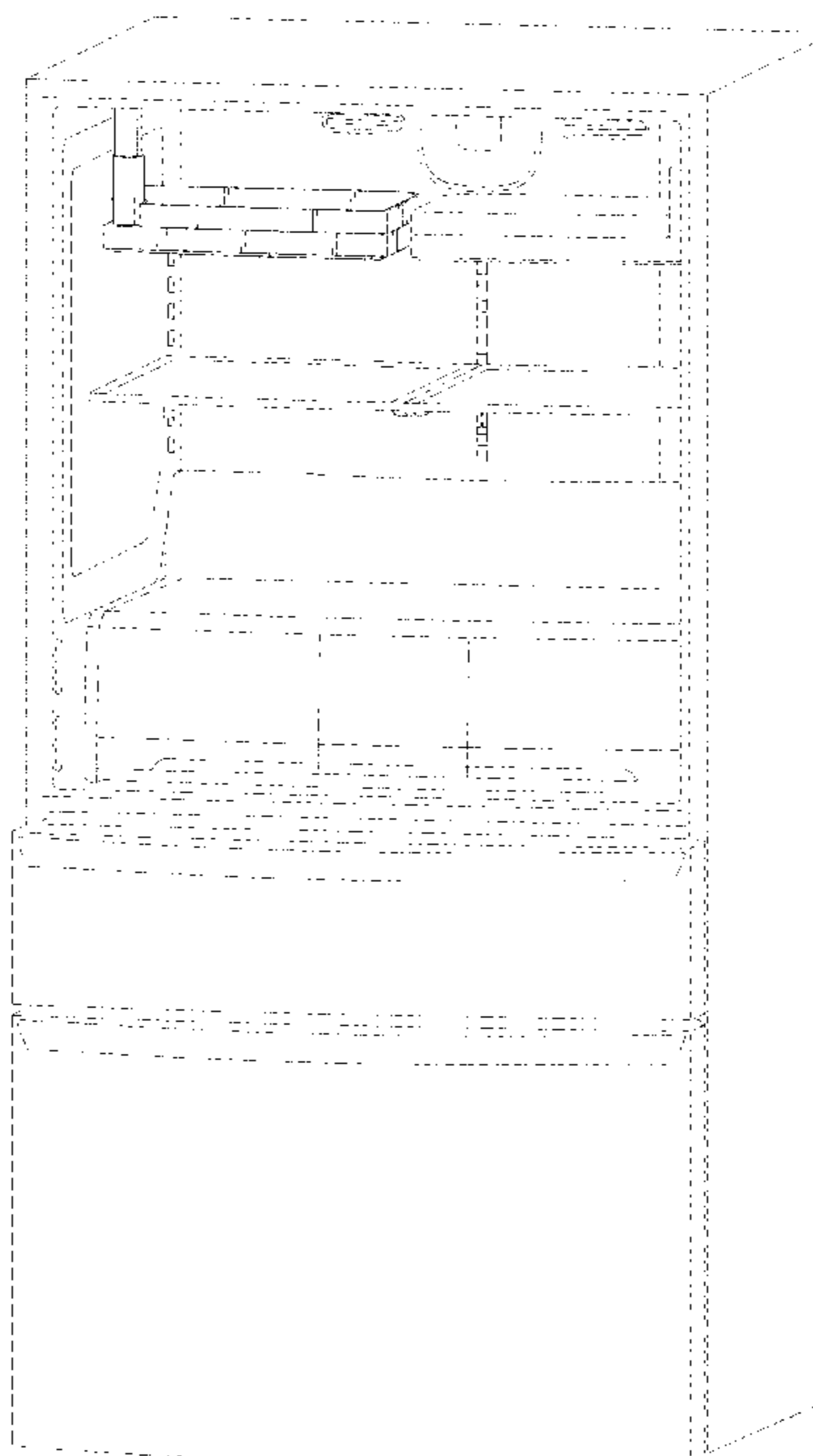
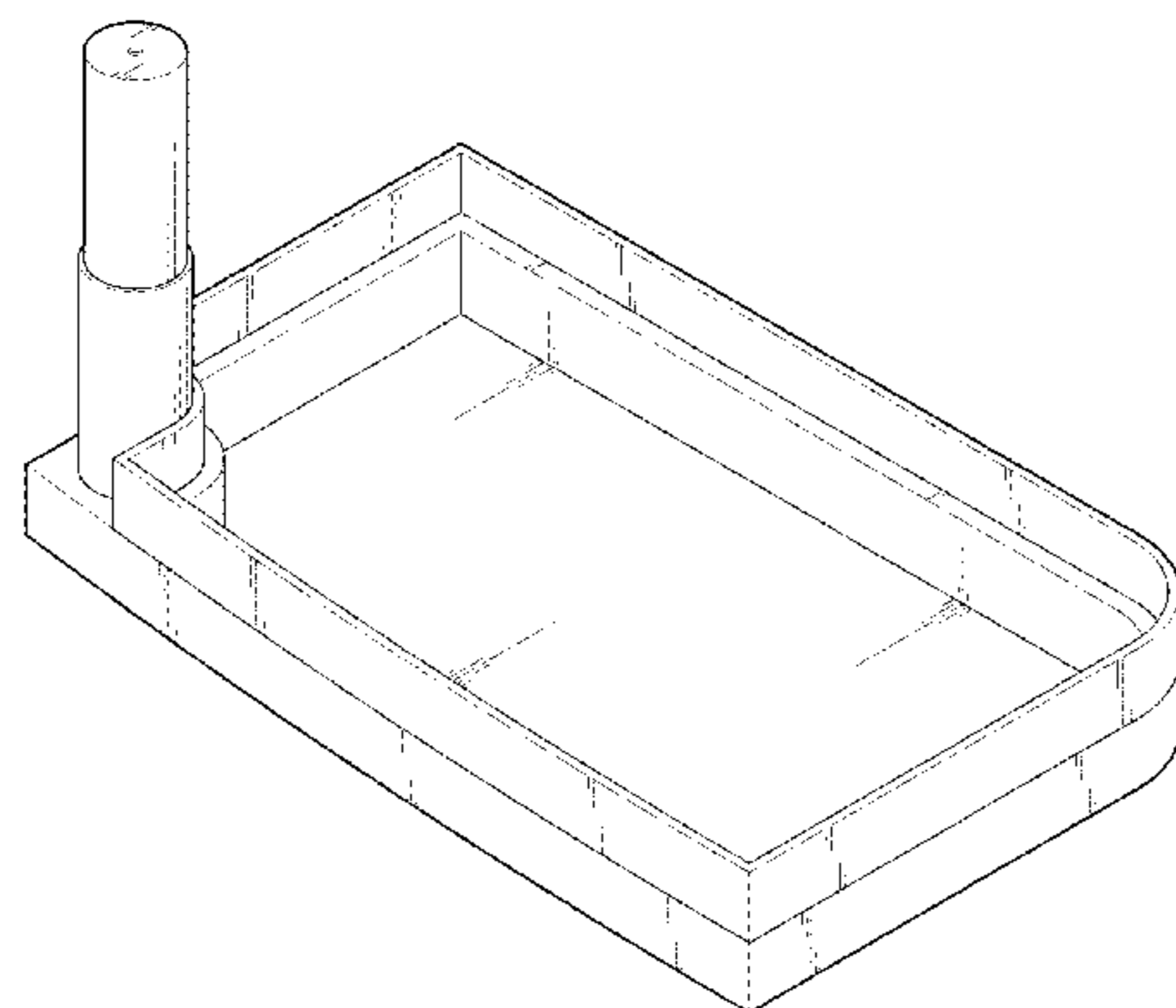


FIG. 1

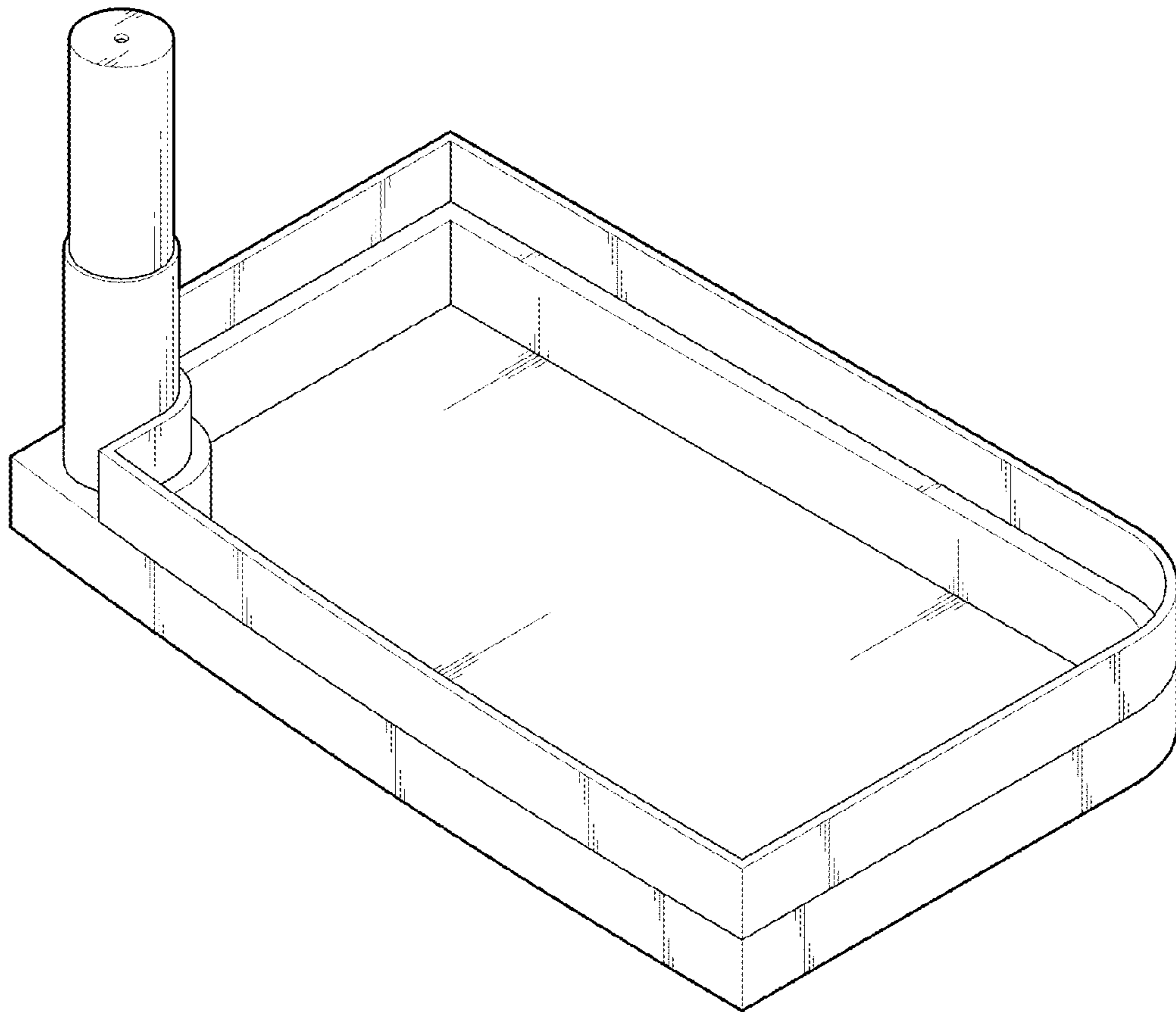


FIG. 2

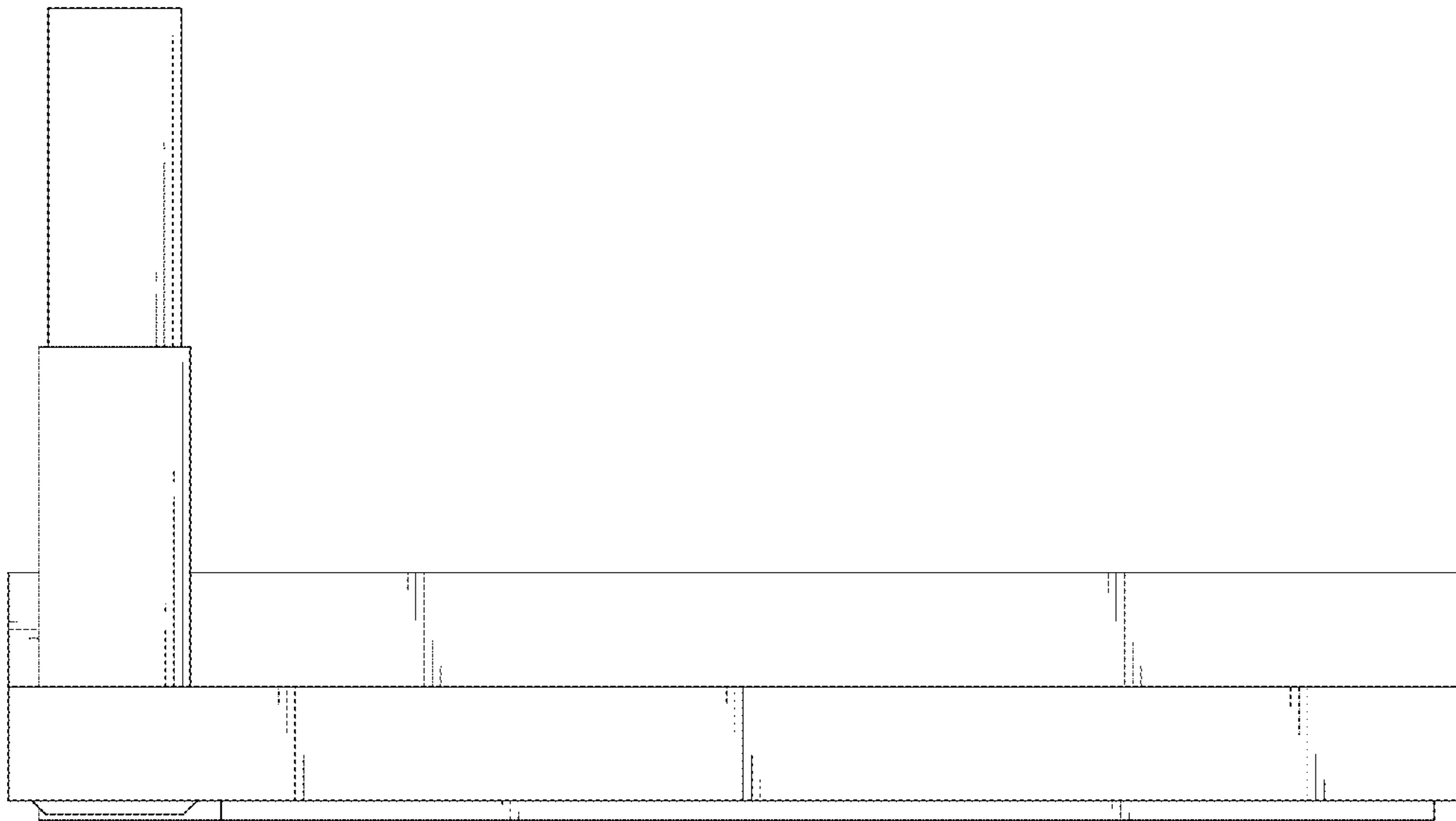


FIG. 3

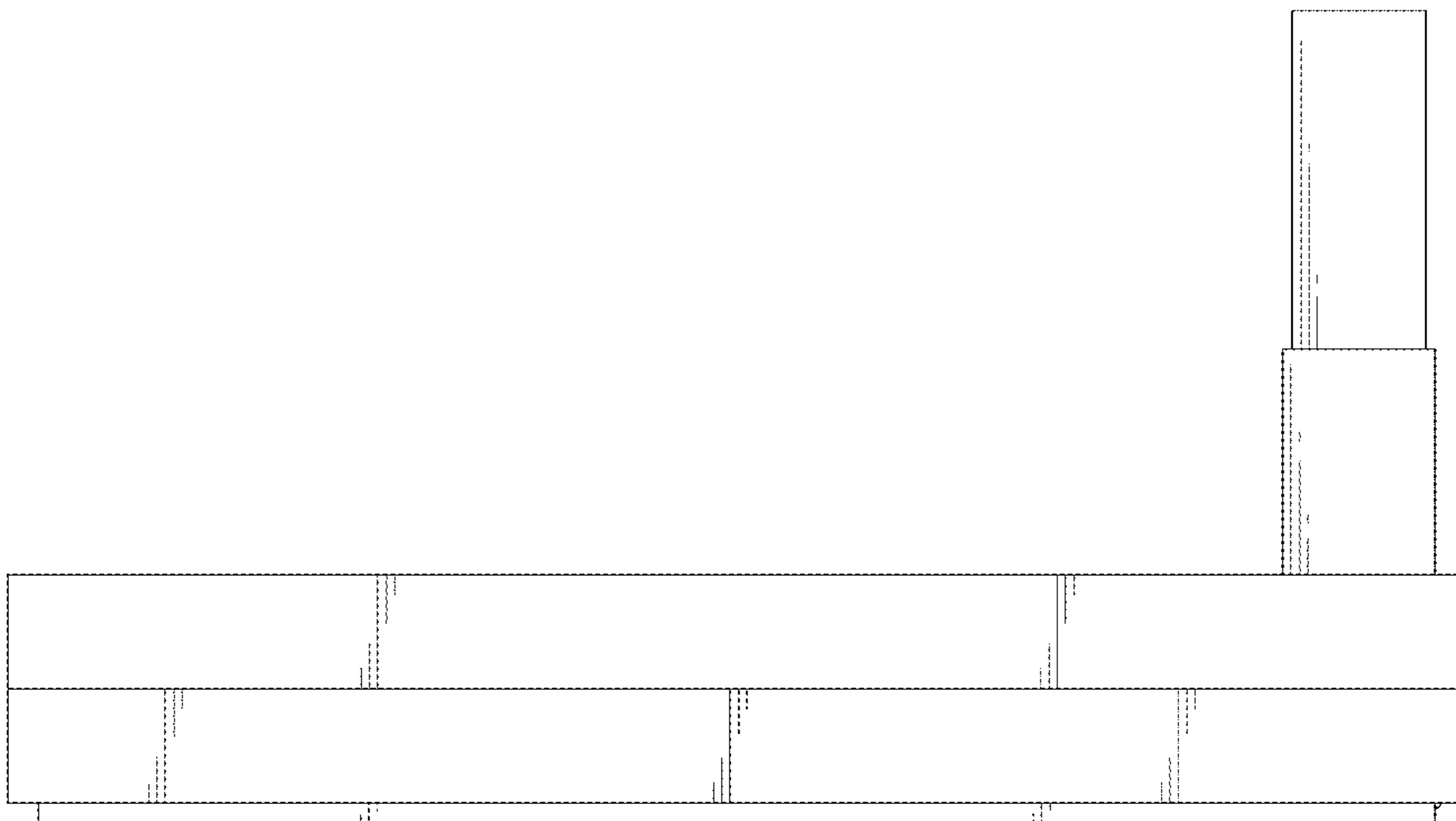


FIG. 4

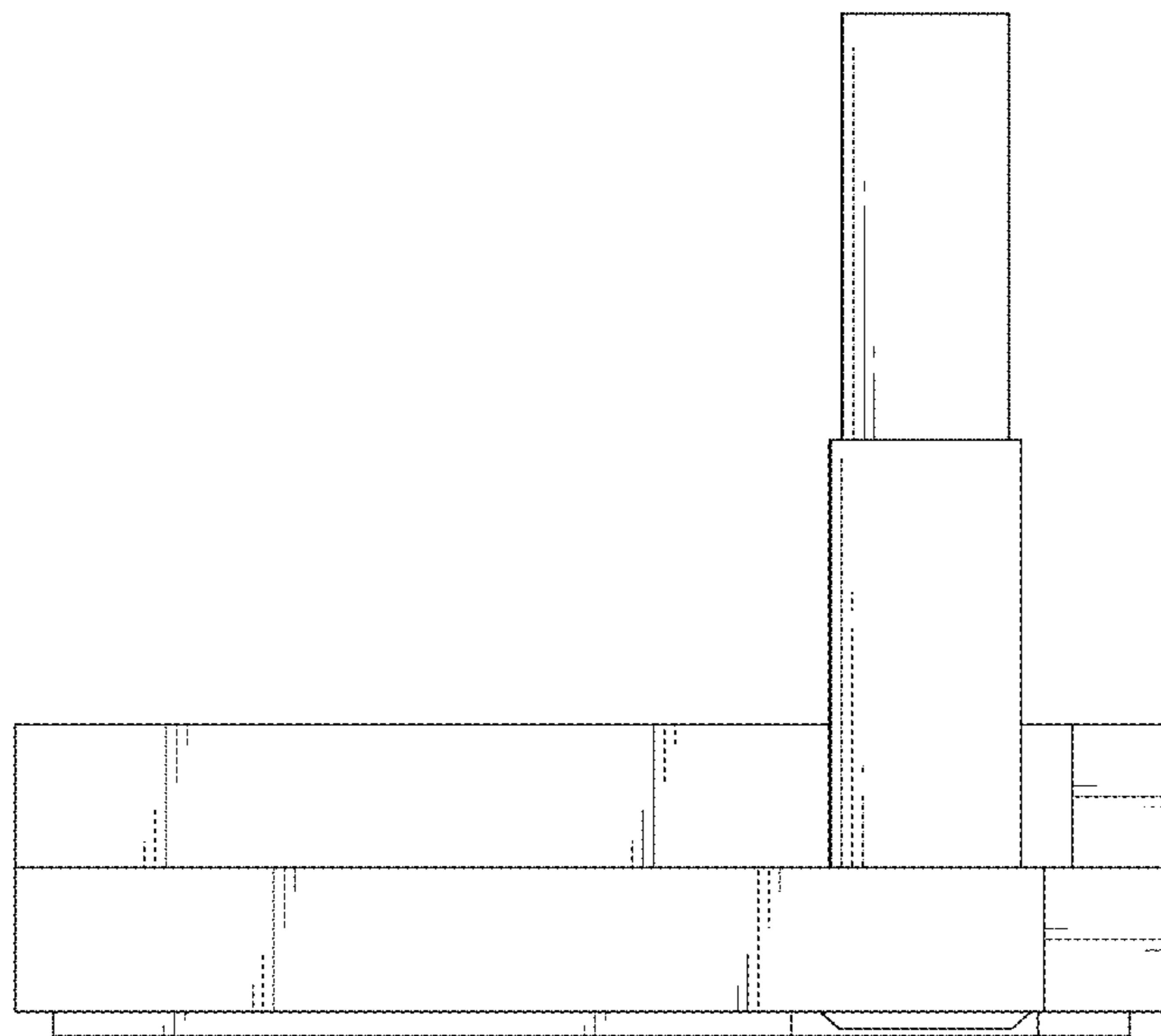


FIG. 5

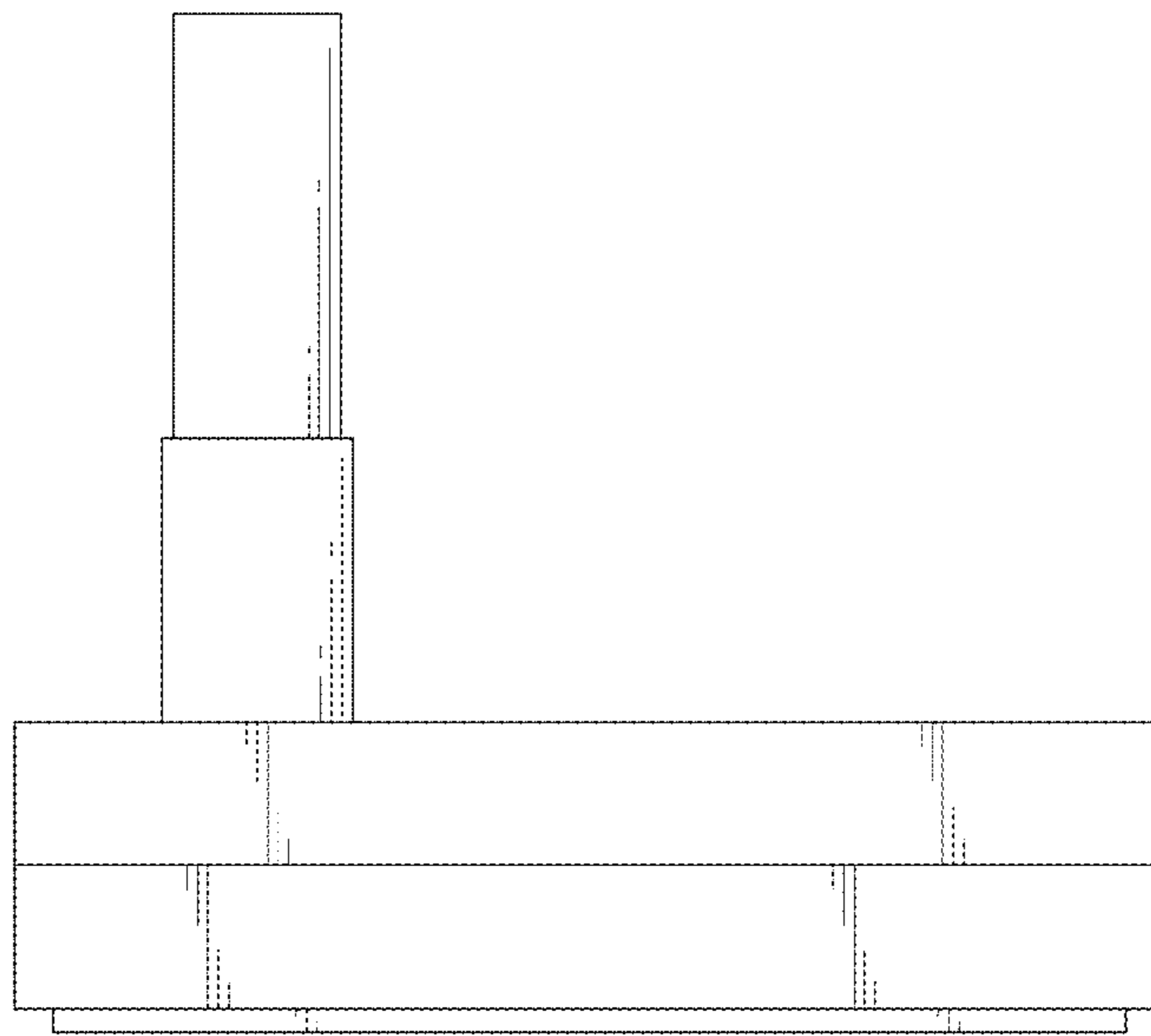


FIG. 6

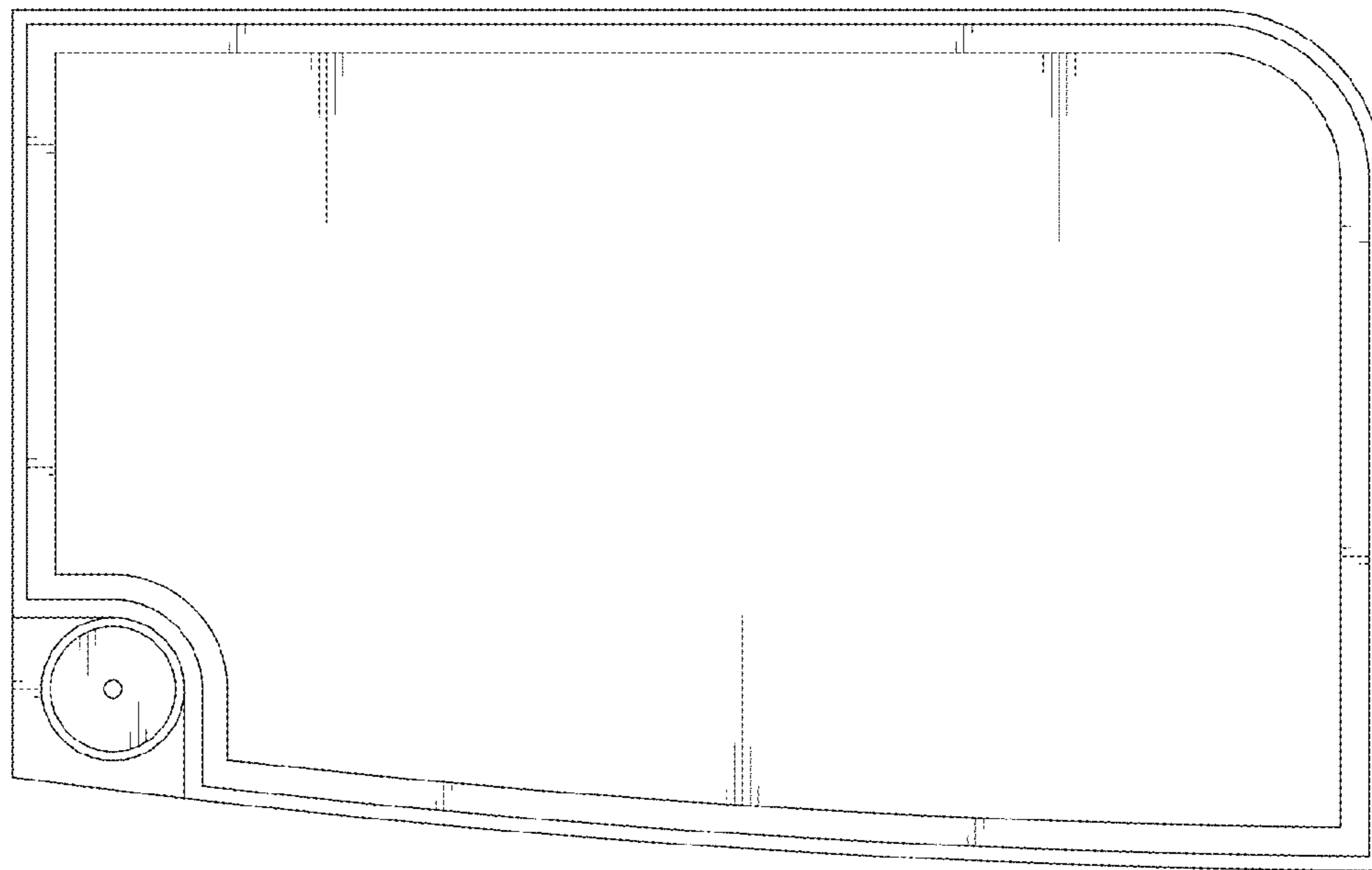


FIG. 7

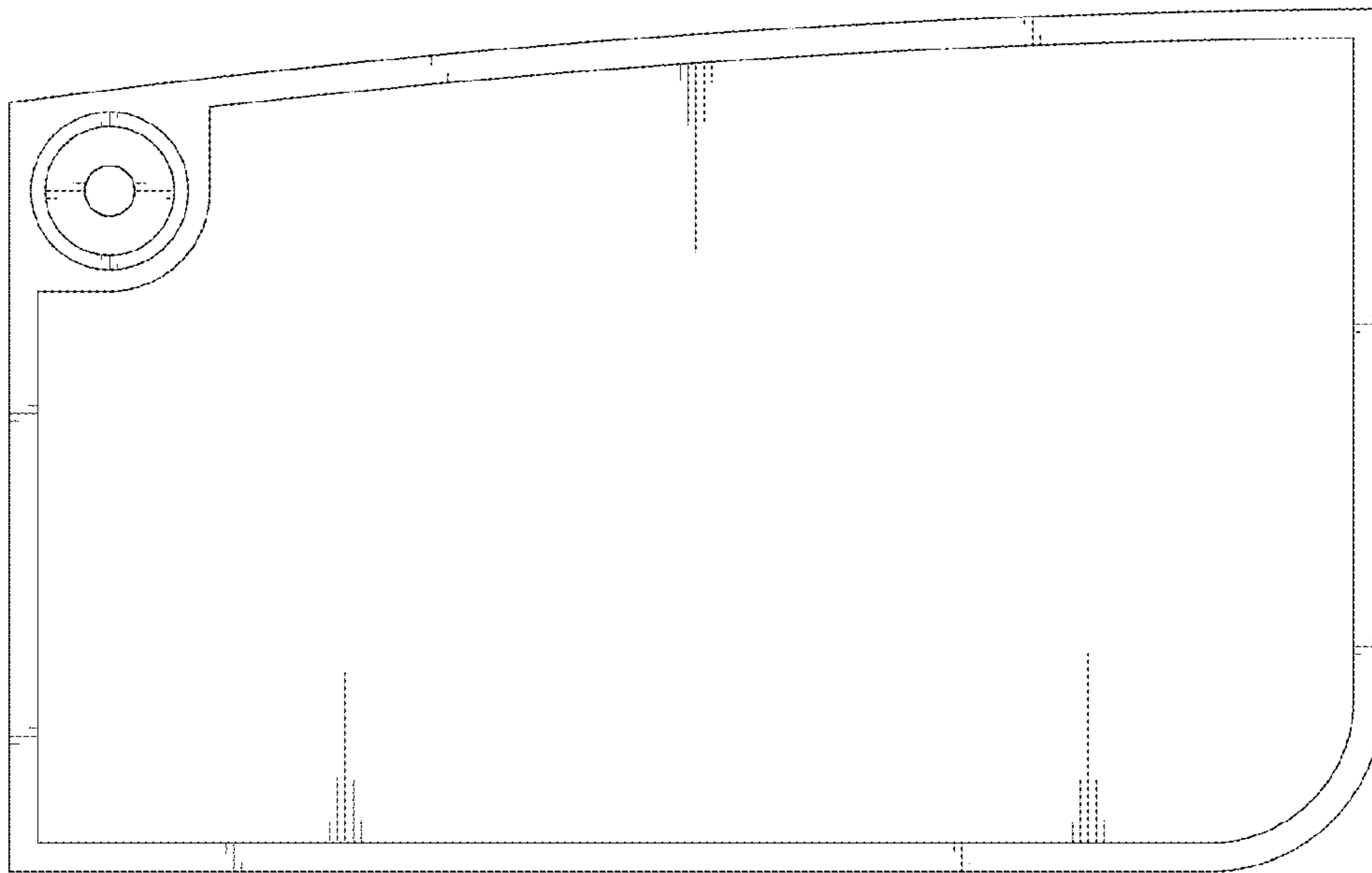




FIG. 8

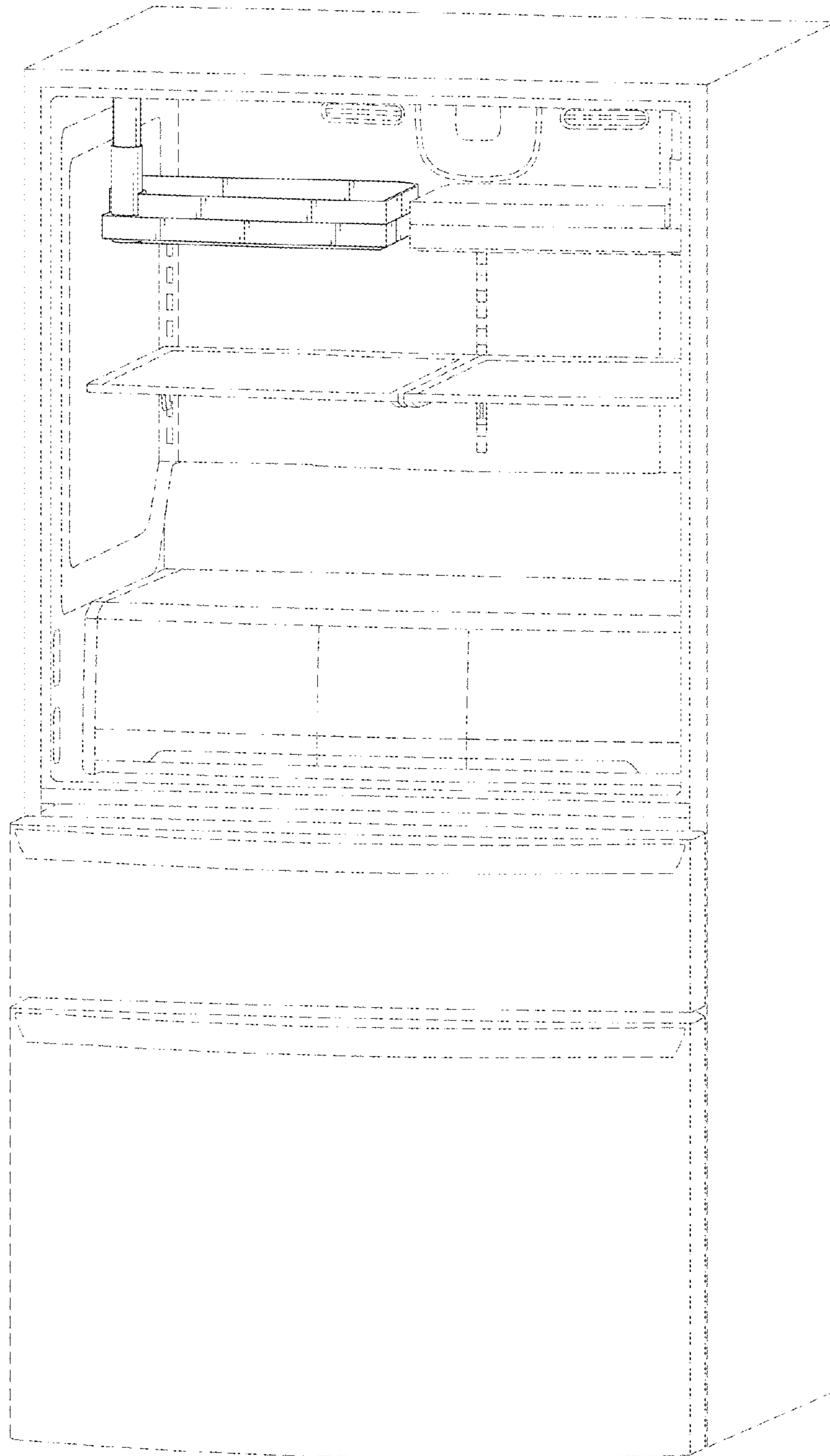


FIG. 9

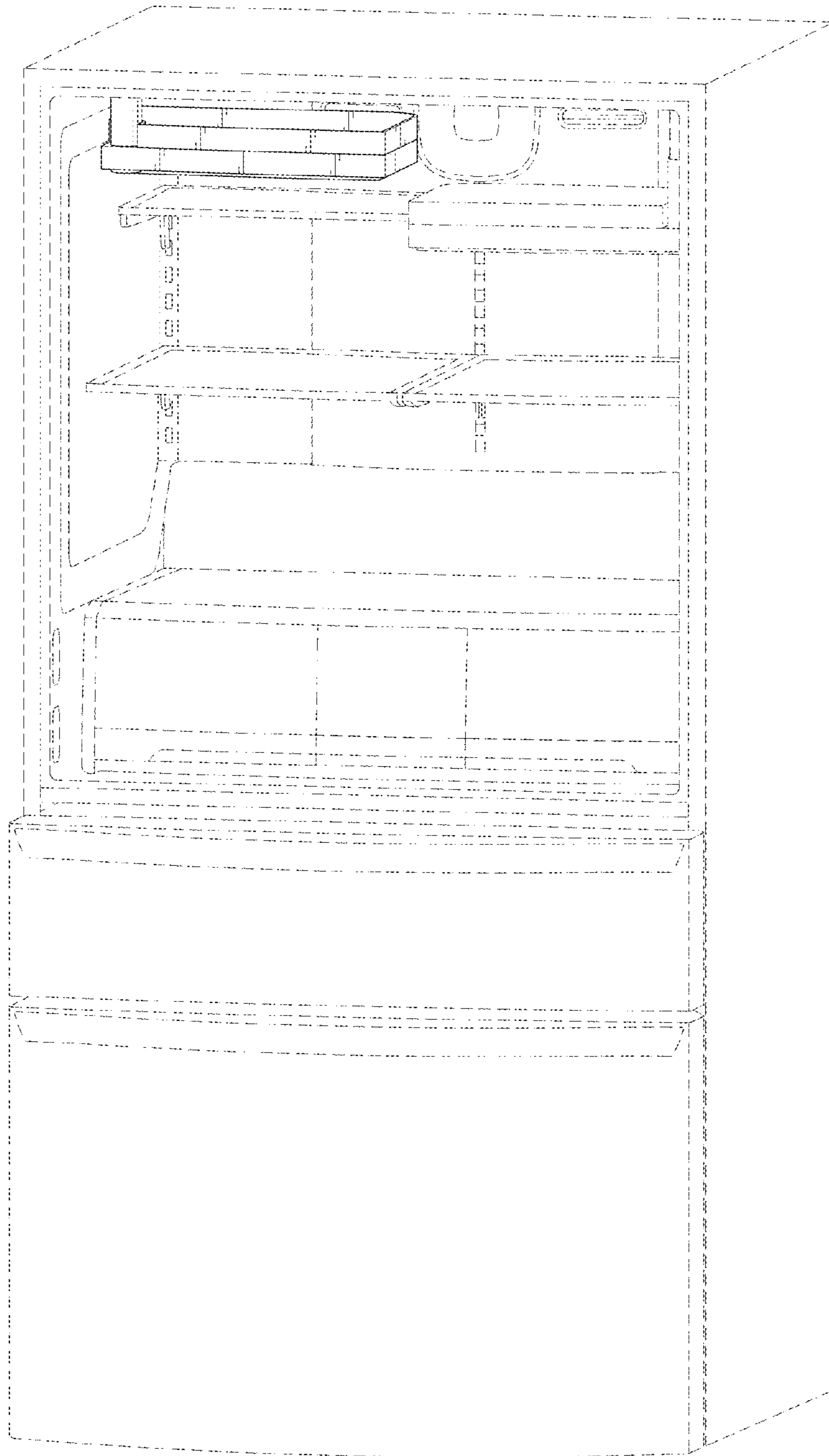


FIG. 10

