



US00D744546S

(12) **United States Design Patent**
Elmeke

(10) **Patent No.:** **US D744,546 S**

(45) **Date of Patent:** **** Dec. 1, 2015**

(54) **SEWING MACHINE**

(71) Applicant: **VSM Group AB**, Huskvarna (SE)

(72) Inventor: **Ari Elmeke**, Huskvarna (SE)

(73) Assignee: **VSM GROUP AB**, Huskvarna (SE)

(**) Term: **14 Years**

(21) Appl. No.: **29/454,664**

(22) Filed: **May 13, 2013**

(51) **LOC (10) Cl.** **15-06**

(52) **U.S. Cl.**
USPC **D15/72**

(58) **Field of Classification Search**
USPC D15/68-76, 66, 67; 112/63, 255-261,
112/217.1-217.4, 444, 475.01, 78, 154;
D3/18, 28; D21/527
CPC D05B 1/02; D05B 1/04; D05B 1/06;
D05B 1/08; D05B 1/10; D05B 1/12; D05B
1/14; D05B 1/16; D05B 3/04; D05B 11/00;
D05B 11/005

See application file for complete search history.

(56) **References Cited**

U.S. PATENT DOCUMENTS

D166,575 S *	4/1952	Rabazzana	D15/69
D277,863 S *	3/1985	Laude et al.	D15/69
D300,745 S *	4/1989	Baruffa	D15/69
D300,746 S *	4/1989	Baruffa	D15/69
D516,590 S *	3/2006	Muto	D15/69
D520,027 S *	5/2006	Kuroki	D15/69
D591,312 S *	4/2009	Mori et al.	D15/70

D603,882 S *	11/2009	Inada	D15/72
D664,163 S	7/2012	Wohrle		
D664,164 S	7/2012	Wohrle		
D671,961 S	12/2012	Elmeke		
D671,962 S	12/2012	Elmeke		
D678,362 S *	3/2013	Tanaka et al.	D15/69
D678,920 S *	3/2013	Zhang	D15/69
D691,181 S *	10/2013	Asano et al.	D15/69
D695,322 S *	12/2013	Ormaechea et al.	D15/69
D696,304 S *	12/2013	Ormaechea et al.	D15/69
D720,372 S *	12/2014	Kanai	D15/69

* cited by examiner

Primary Examiner — Daniel Bui

Assistant Examiner — Khawaja Anwar

(74) *Attorney, Agent, or Firm* — Lando & Anastasi, LLP

(57) **CLAIM**

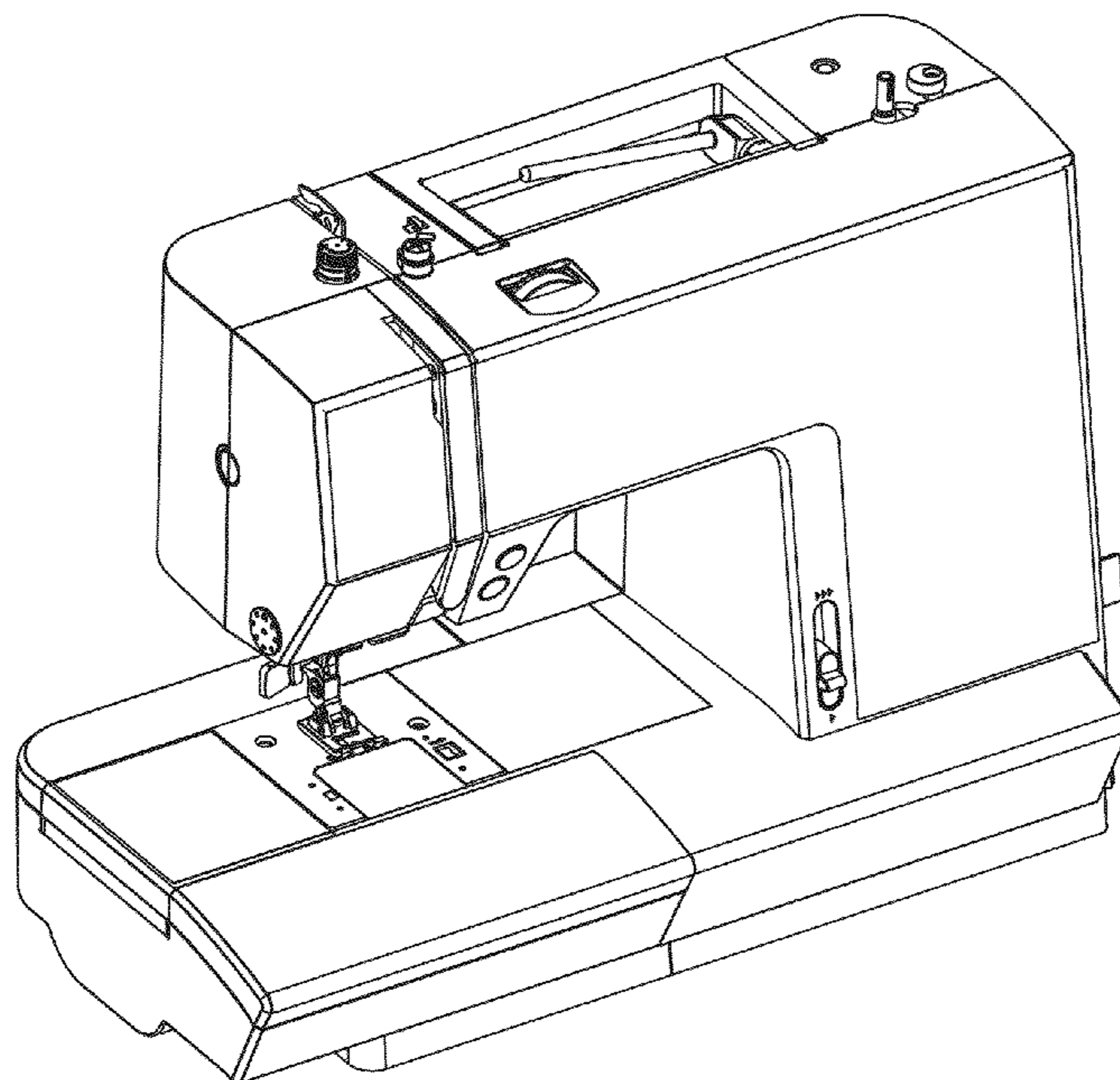
The ornamental design for a sewing machine, as shown and described.

DESCRIPTION

FIG. 1 is a front top perspective view of a sewing machine, showing my new design;
FIG. 2 is a front view thereof;
FIG. 3 is a rear view thereof;
FIG. 4 is a right side view thereof;
FIG. 5 is a left side view thereof;
FIG. 6 is a top view thereof; and,
FIG. 7 is a bottom view thereof.

The broken line in the figure drawings represents unclaimed environment only and forms no part of the claimed design.
The logo "IDT" shown in FIG. 3 is a registered trademark of VSM Group AB CORPORATION SWEDEN 561 84 Huskvarna SWEDEN.

1 Claim, 4 Drawing Sheets



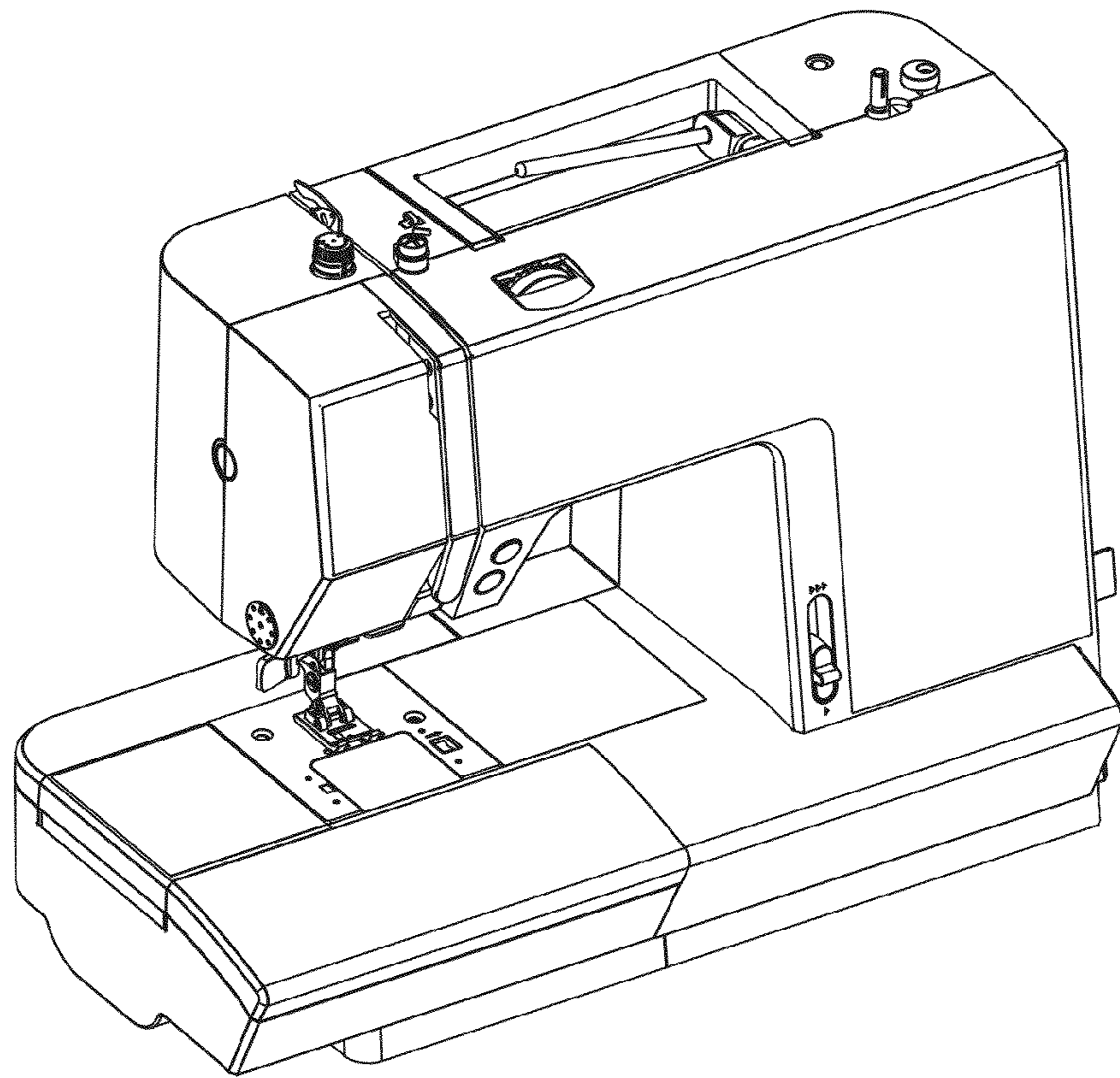


FIG. 1

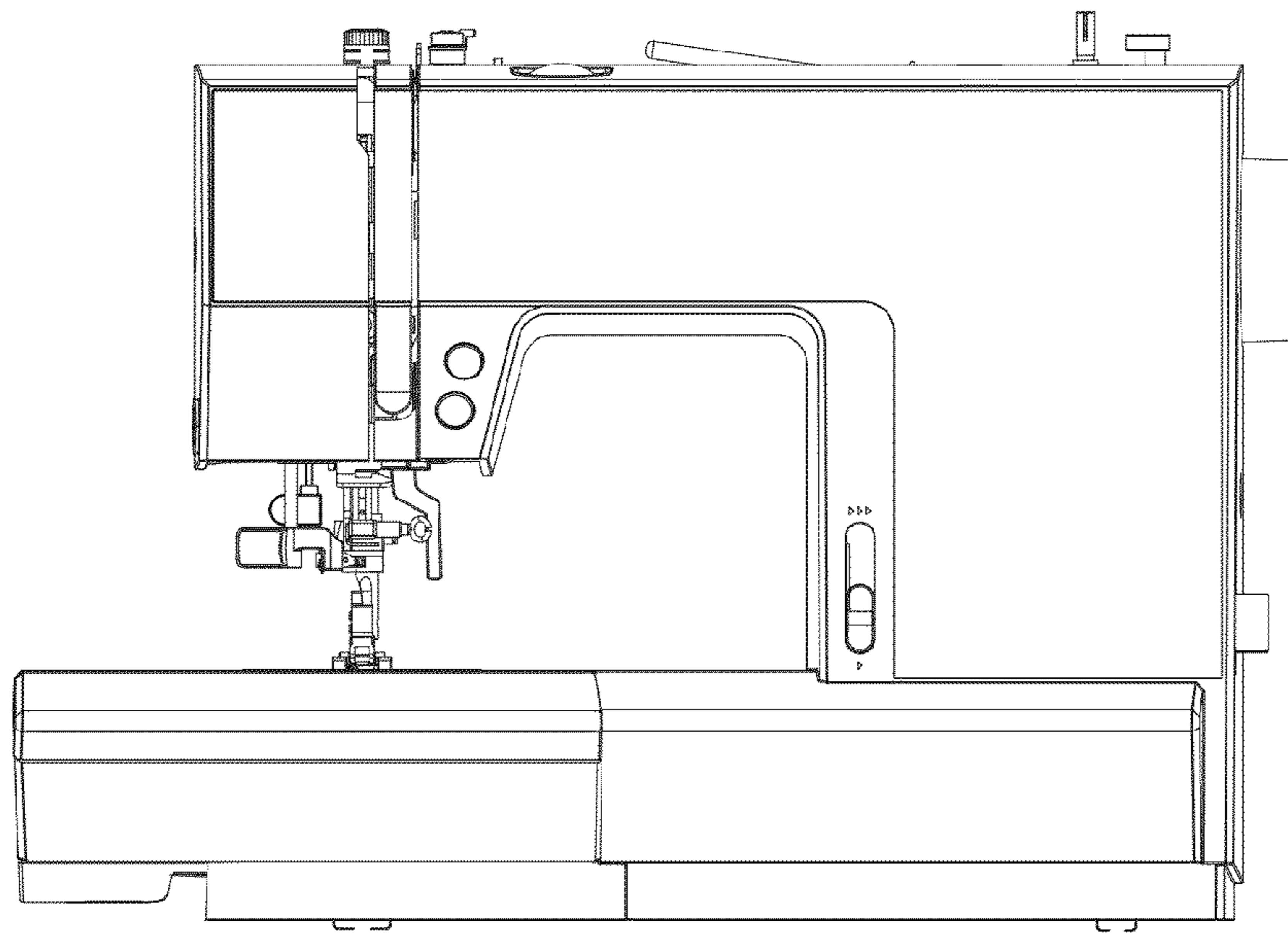


FIG. 2

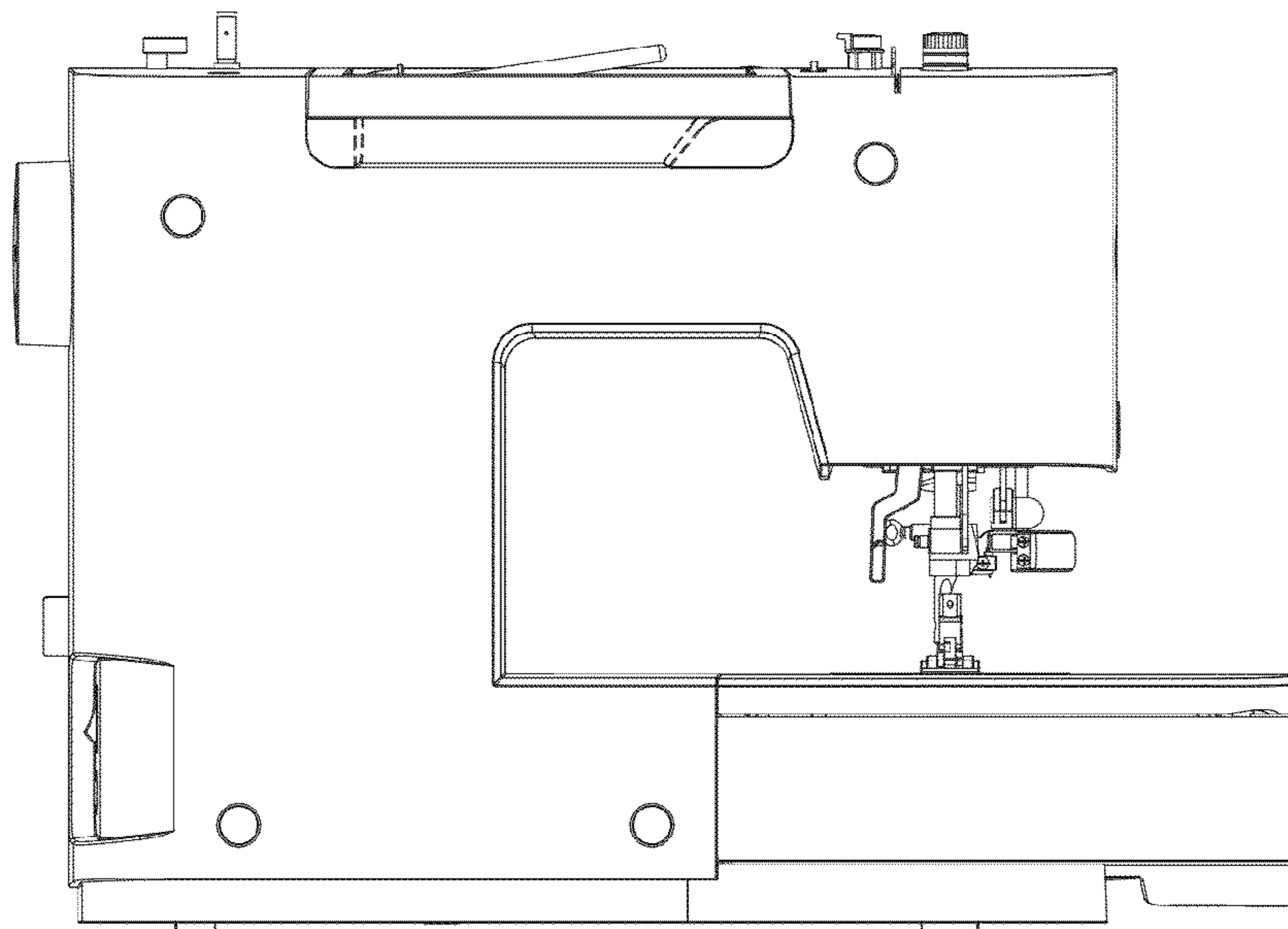


FIG. 3

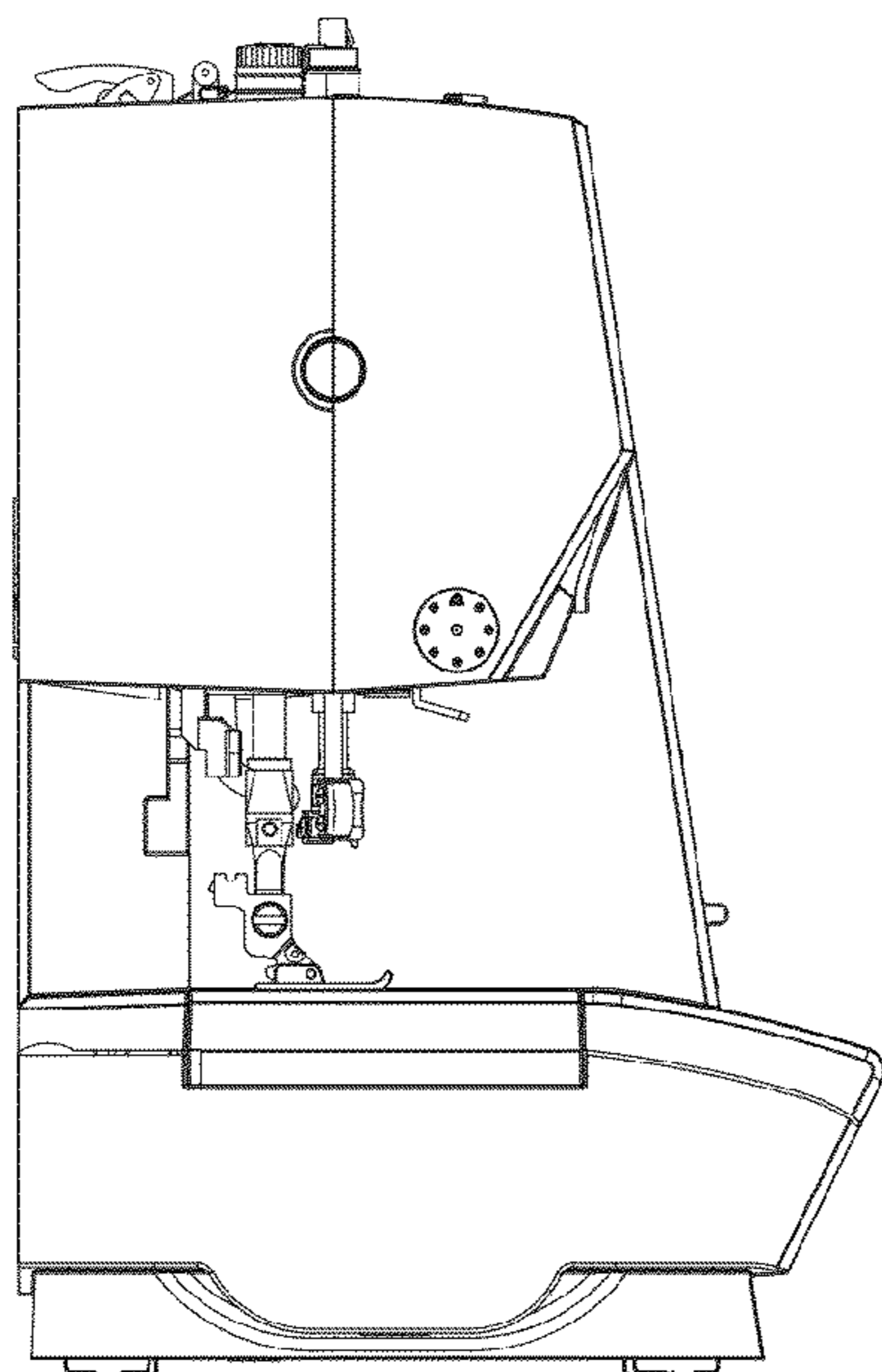


FIG. 4

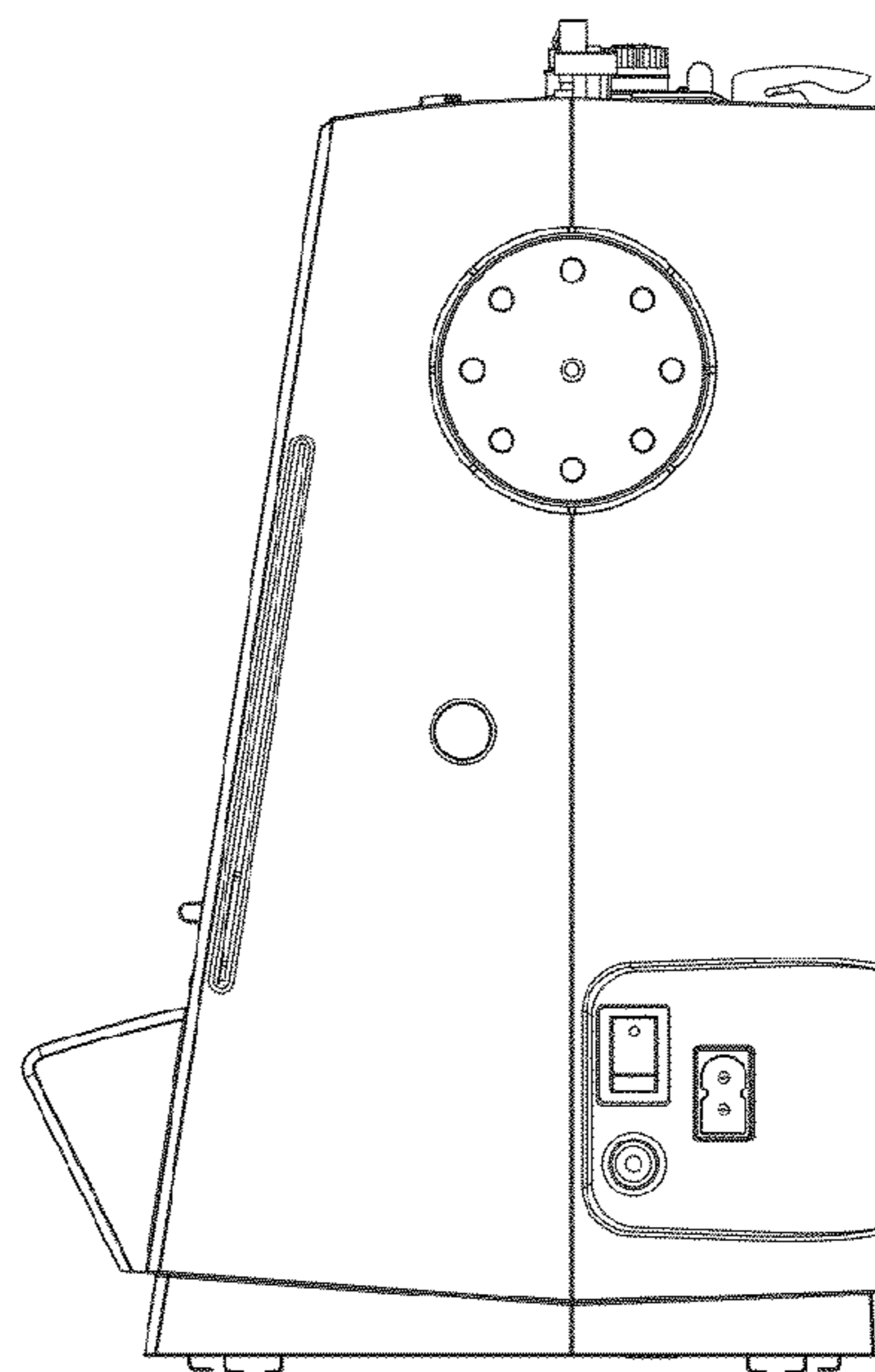


FIG. 5

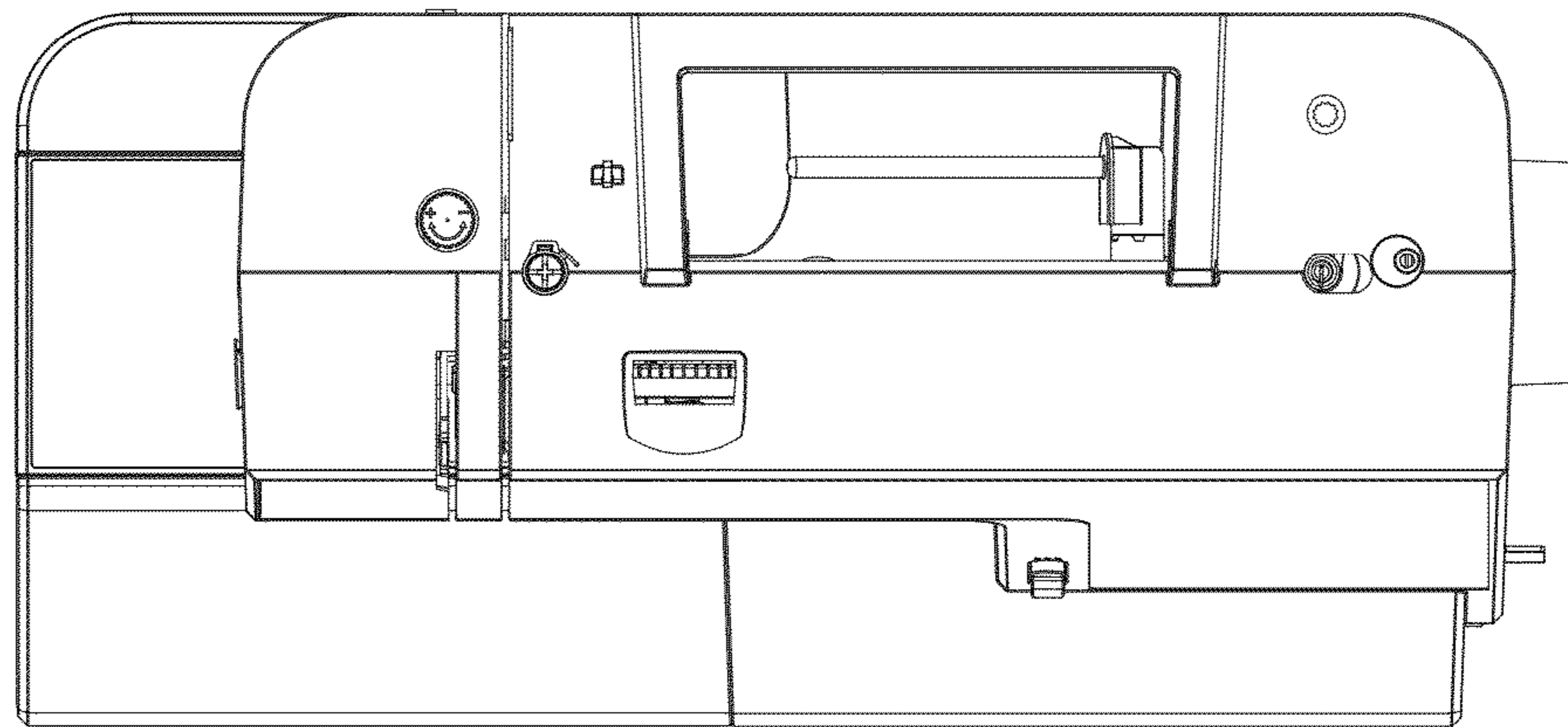


FIG. 6

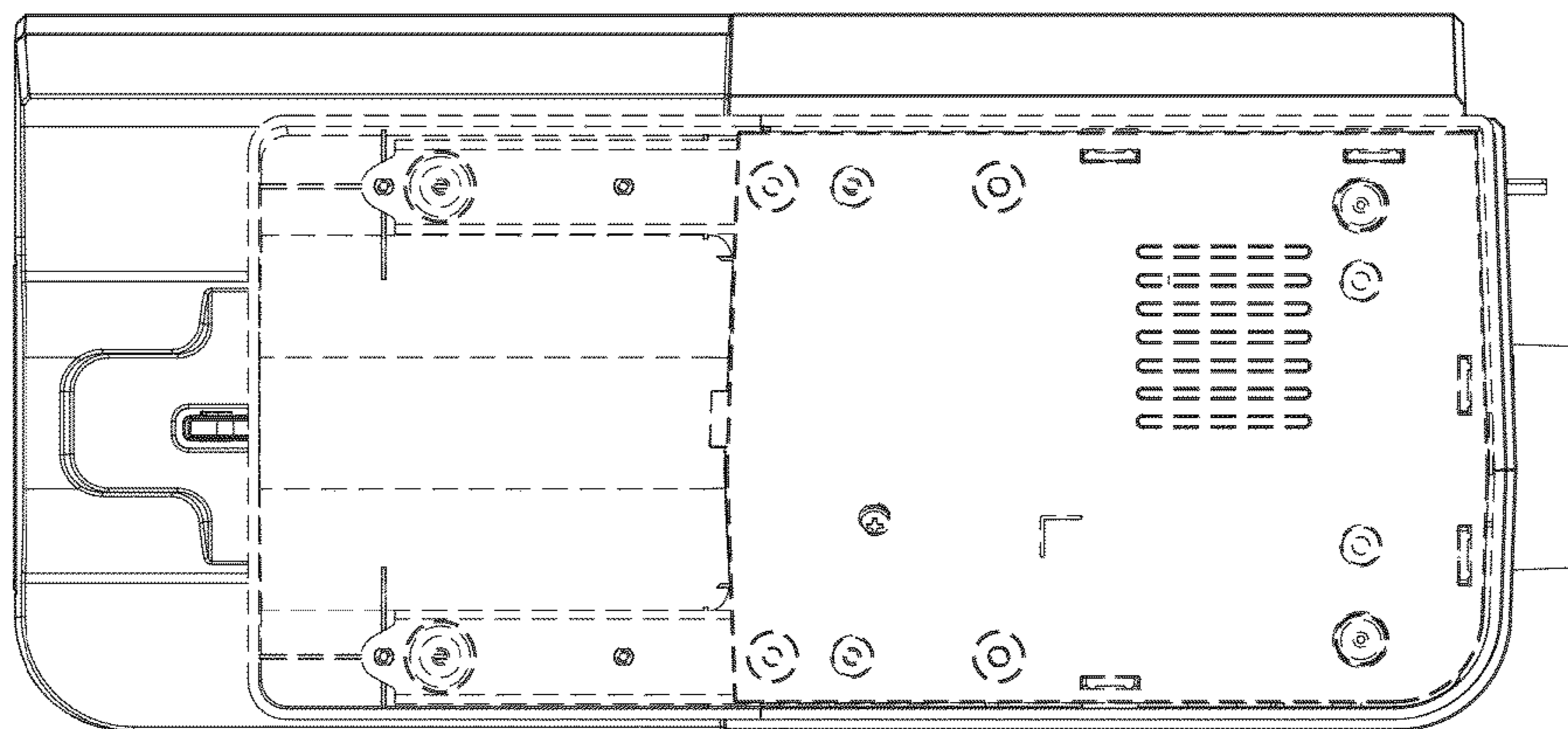


FIG. 7