



US00D744544S

(12) **United States Design Patent**
Wuisan et al.

(10) **Patent No.:** **US D744,544 S**
(45) **Date of Patent:** **** Dec. 1, 2015**

(54) **CONTROL GRIP**

(71) Applicant: **DEERE & COMPANY**, Moline, IL (US)

(72) Inventors: **Giovanni A. Wuisan**, Epworth, IA (US);
Daniel R. Klein, Peosta, IA (US);
Joseph F. Tilp, Dubuque, IA (US); **Todd R. Simms**, Peosta, IA (US); **Chris J. Schaub**, Asbury, IA (US); **Carl J. Koenig**, Dubuque, IA (US); **Richard J. Gotto**, Farley, IA (US); **John R. Mahrenholz**, Peosta, IA (US); **Ronald J. Huber**, Dubuque, IA (US); **Leah F. Beaver**, East Dubuque, IA (US); **Eric J. Bisick**, Dubuque, IA (US); **Stephen E. Bonneau**, Dubuque, IA (US)

(73) Assignee: **Deere & Company**, Moline, IL (US)

(**) Term: **14 Years**

(21) Appl. No.: **29/483,926**

(22) Filed: **Mar. 4, 2014**

(51) **LOC (10) Cl.** **15-03**

(52) **U.S. Cl.**
USPC **D15/28; D34/35**

(58) **Field of Classification Search**

USPC D15/11, 28, 21, 17, 18, 142; D34/28,
D34/34, 35; D14/412, 413, 415, 416, 428;
D12/174, 179, 178, 180; 74/488,
74/484 R; 280/43.12; 187/222, 224;
244/234; D8/300, 303
CPC A01D 2034/6843; E02F 9/2004;
G05G 2009/04774; G05G 1/08; B62D 11/006;
B62D 1/12; B66F 9/20; B66F 9/07568
See application file for complete search history.

(56) **References Cited**

U.S. PATENT DOCUMENTS

D331,932 S * 12/1992 Lenski et al. D15/28
D362,330 S * 9/1995 Avitan et al. D34/35
D384,478 S * 9/1997 Prehn et al. D34/35
5,768,947 A 6/1998 Fee et al.
6,433,778 B1 * 8/2002 Baba et al. 345/161
D515,770 S * 2/2006 Ryan et al. D34/35

D595,744 S * 7/2009 Umeda et al. D15/28
D606,566 S * 12/2009 Kobayashi et al. D15/28
D635,155 S * 3/2011 Blind D15/28
D704,189 S * 5/2014 Rey et al. D14/412
D725,681 S * 3/2015 Bonneau et al. D15/28

OTHER PUBLICATIONS

Elobau Fingertrip Joystick, http://www.elobau.com/Vehicle_Components/Joystick_base_and_Joystick_handle/Joystick_base_uniaxial/0,0,0,406,115.html&SETSPRACHE=8.
Caterpillar D8T Track-Type Tractor, 2007.
Deere & Company, John Deere 700K/750K/850K Dozers Brochure, Aug. 7, 2013.
Deere & Company, John Deere K-Series Backhoes Brochure, Oct. 2012.
Deere & Company, John Deere G/GP-Series Graders Brochure, Nov. 2013.
Deere & Company, John Deere 950J/1050J Dozers Brochure, May 2012.

* cited by examiner

Primary Examiner — Cynthia Ramirez

Assistant Examiner — Gino Colan

(74) *Attorney, Agent, or Firm* — Ingrassia, Fisher & Lorenz PC

(57) **CLAIM**

The ornamental design for a control grip, as shown and described.

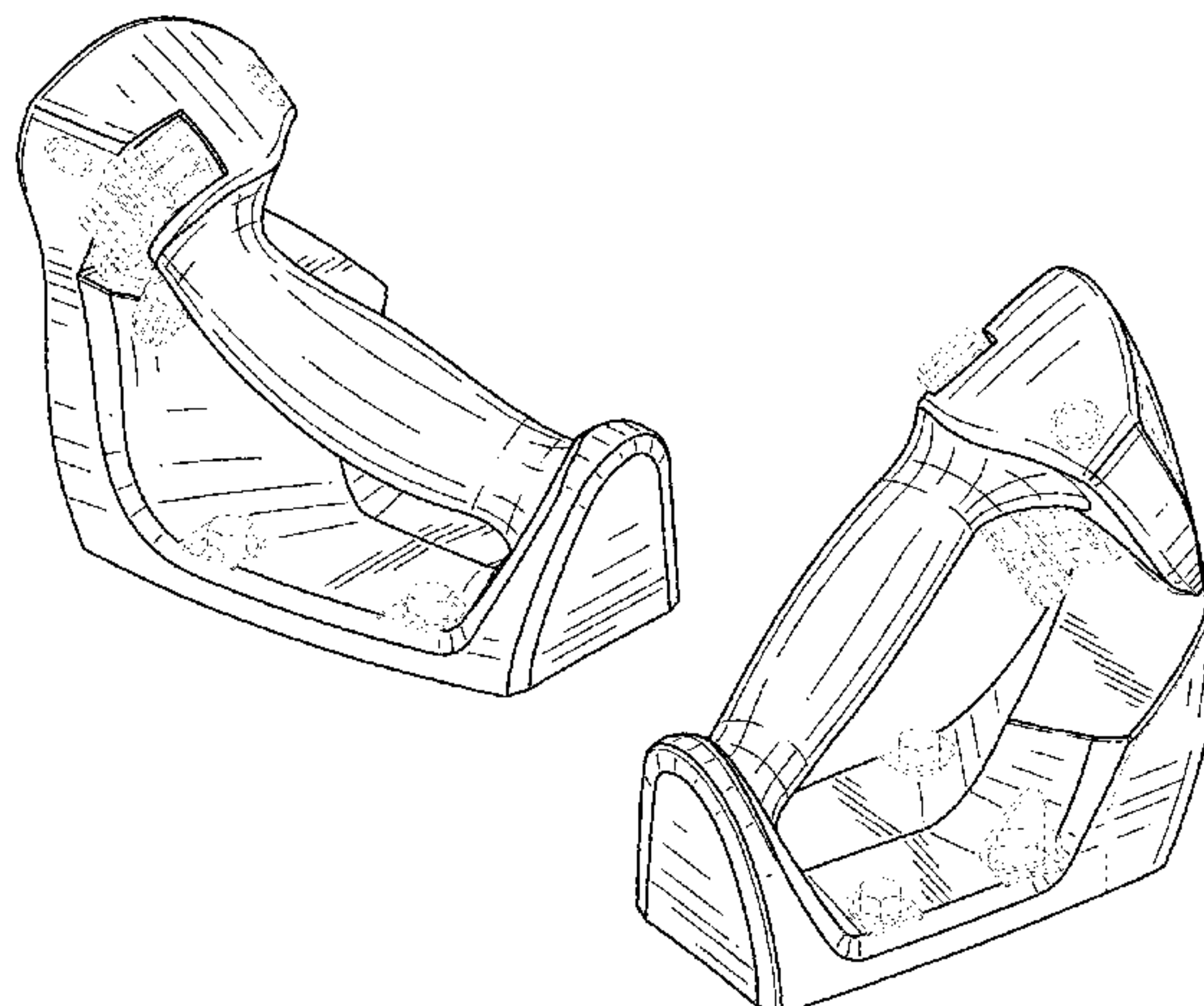
DESCRIPTION

FIG. 1 is a top, rear, left perspective view of a control grip according to our new design;
FIG. 2 is a top, rear, right perspective view thereof;
FIG. 3 is a left side elevational view thereof;
FIG. 4 is a right side elevational view thereof;
FIG. 5 is a rear elevational view thereof;
FIG. 6 is a front elevational view thereof;
FIG. 7 is a top view thereof; and,
FIG. 8 is a bottom view thereof.

Applicant regards the disclosed design as including all features shown in the accompanying drawings, including FIGS. 1-8 The broken line representations in the figures show unclaimed environment or boundaries, and thus form no part of the design as presently claimed.

The nature of this product is a control grip or portion thereof, such as for use by an operator during operation of a work vehicle for operator stabilization and/or machine control purposes.

1 Claim, 4 Drawing Sheets



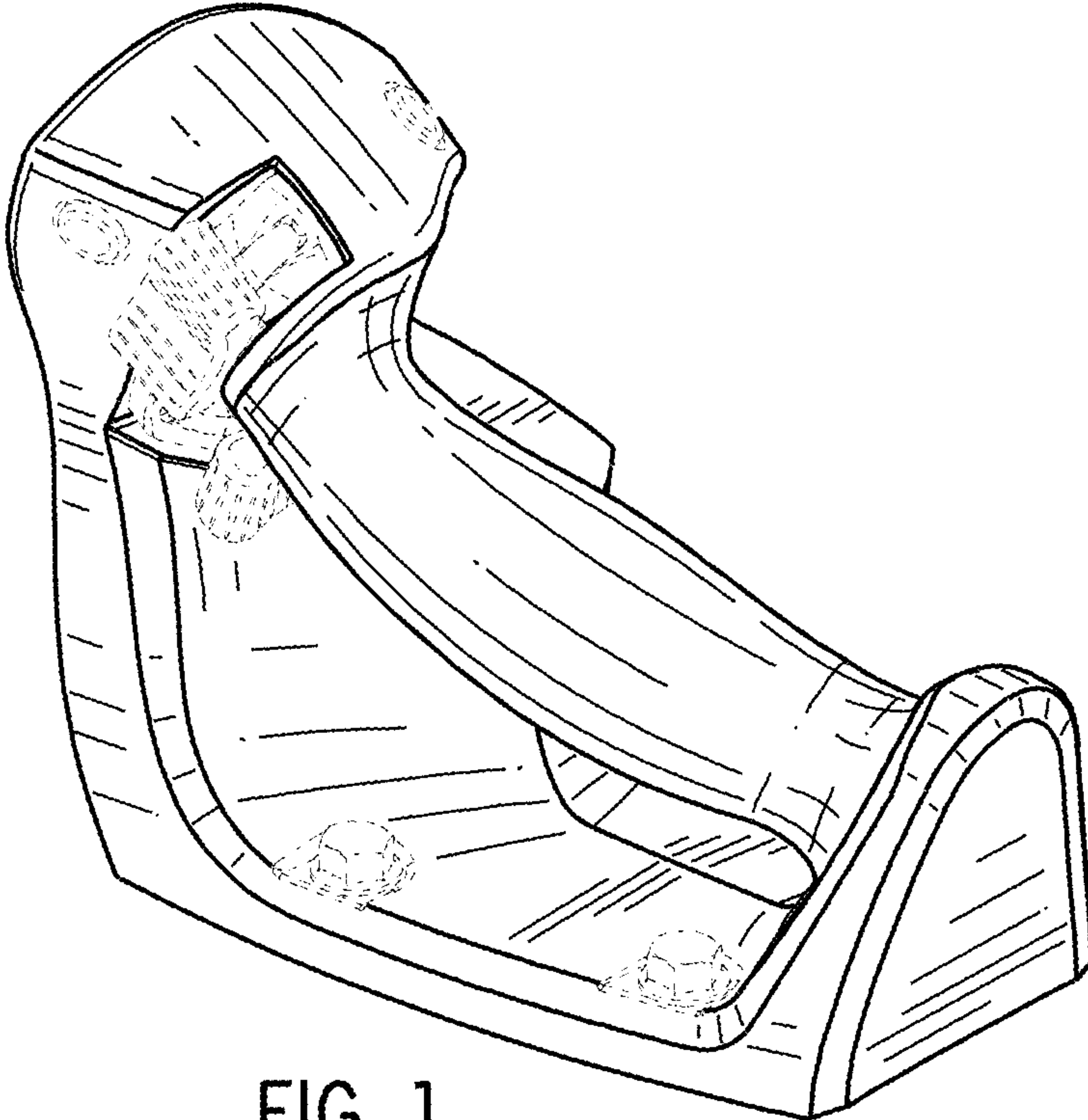


FIG. 1

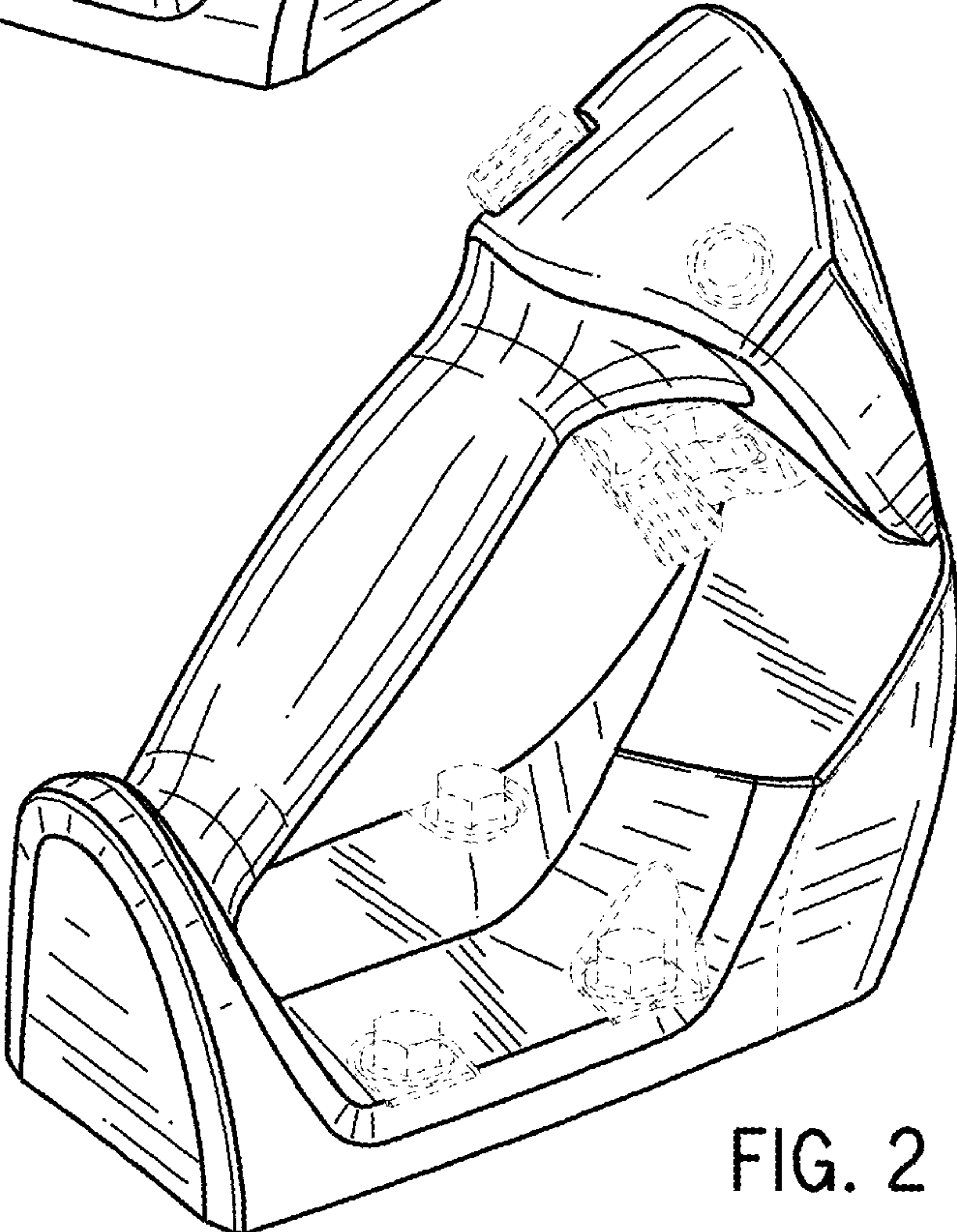


FIG. 2

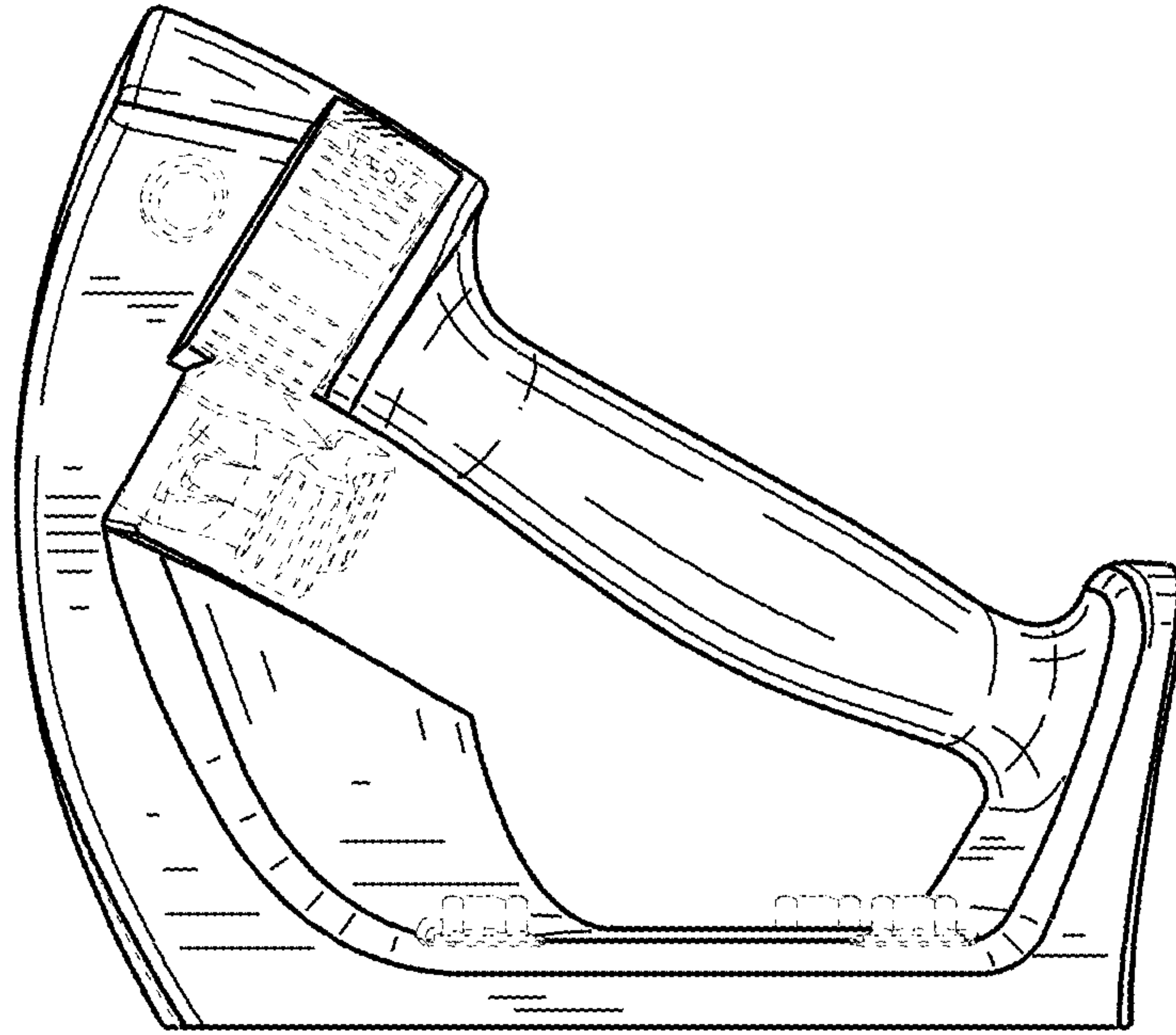


FIG. 3

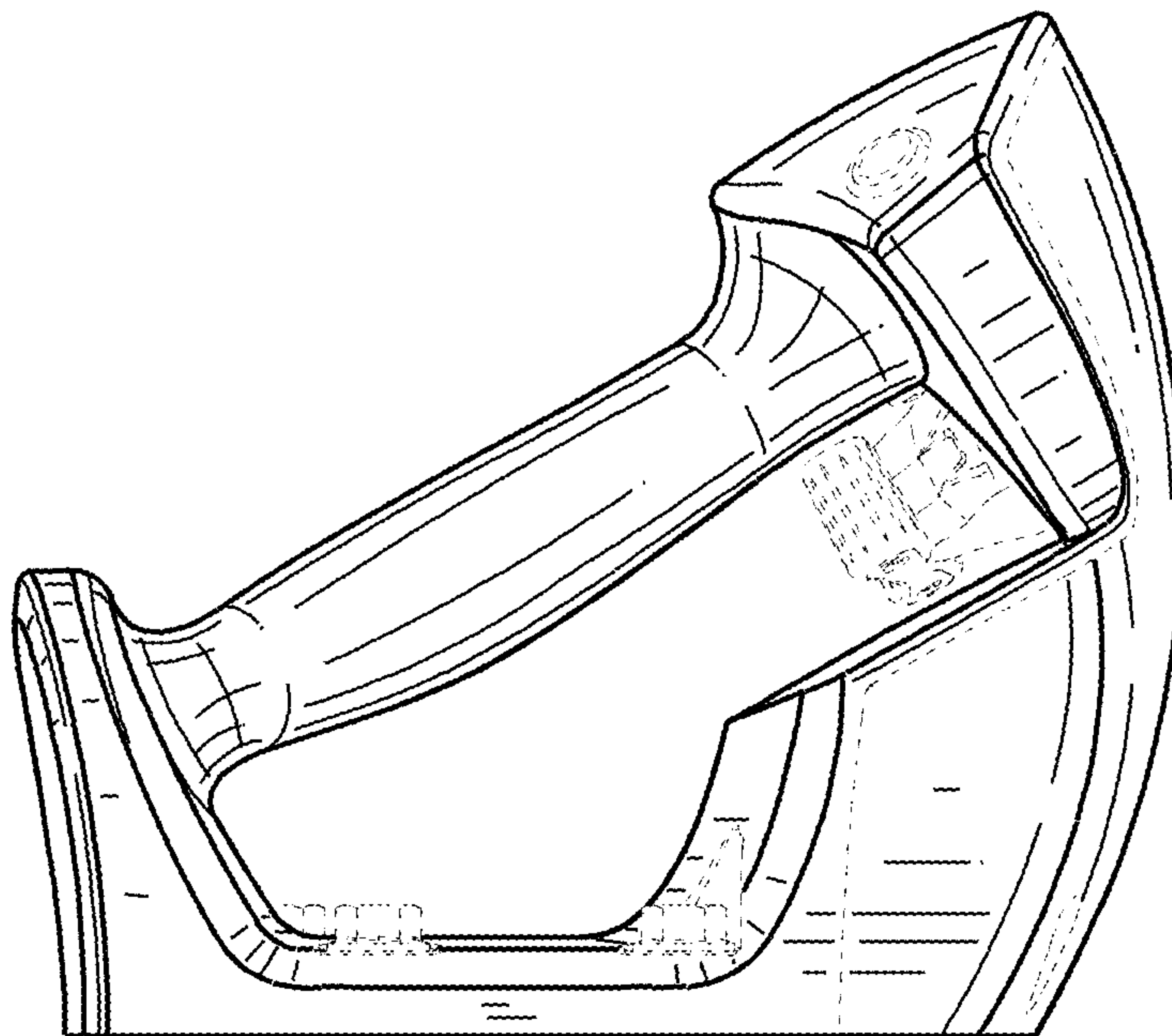


FIG. 4

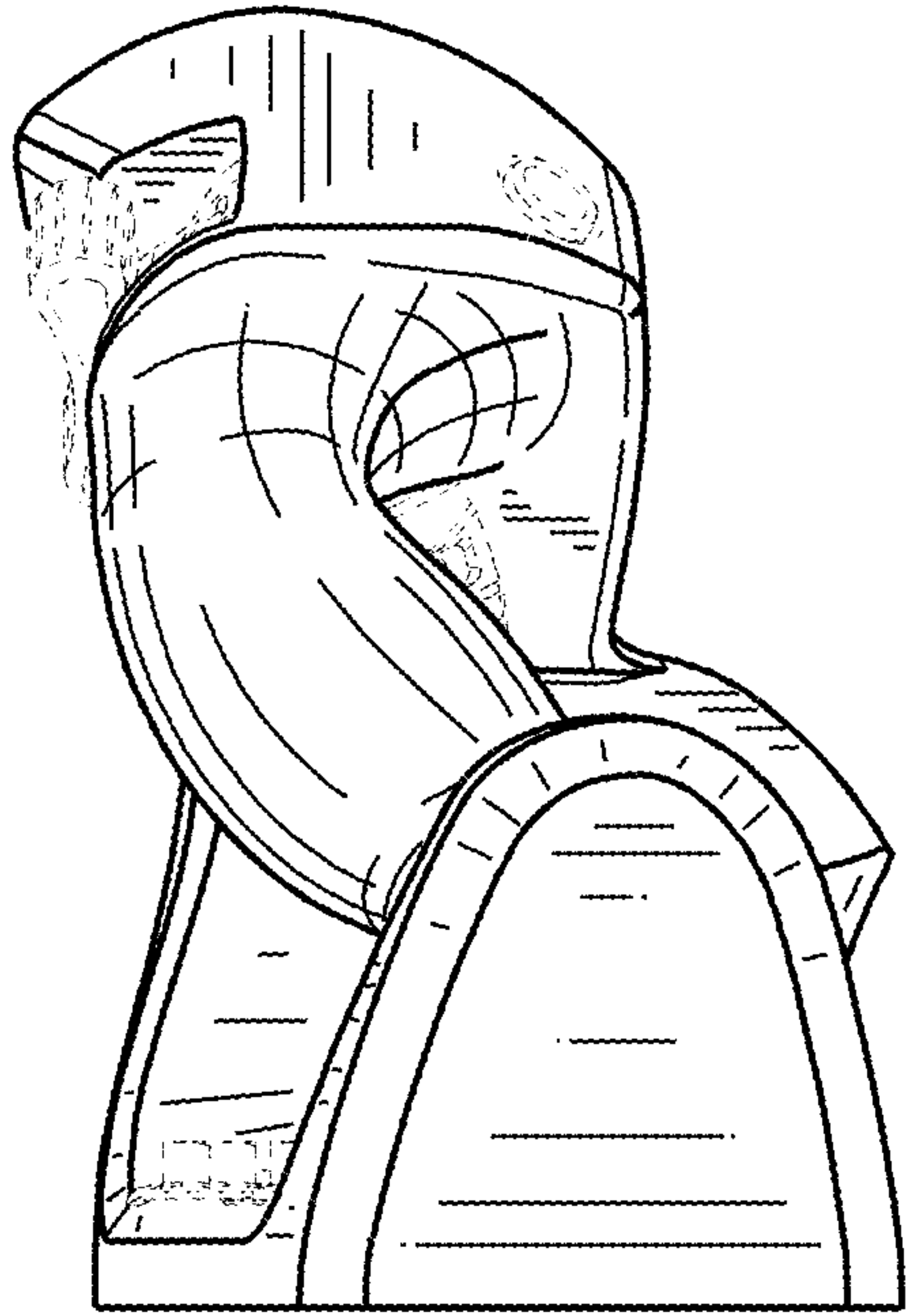


FIG. 5

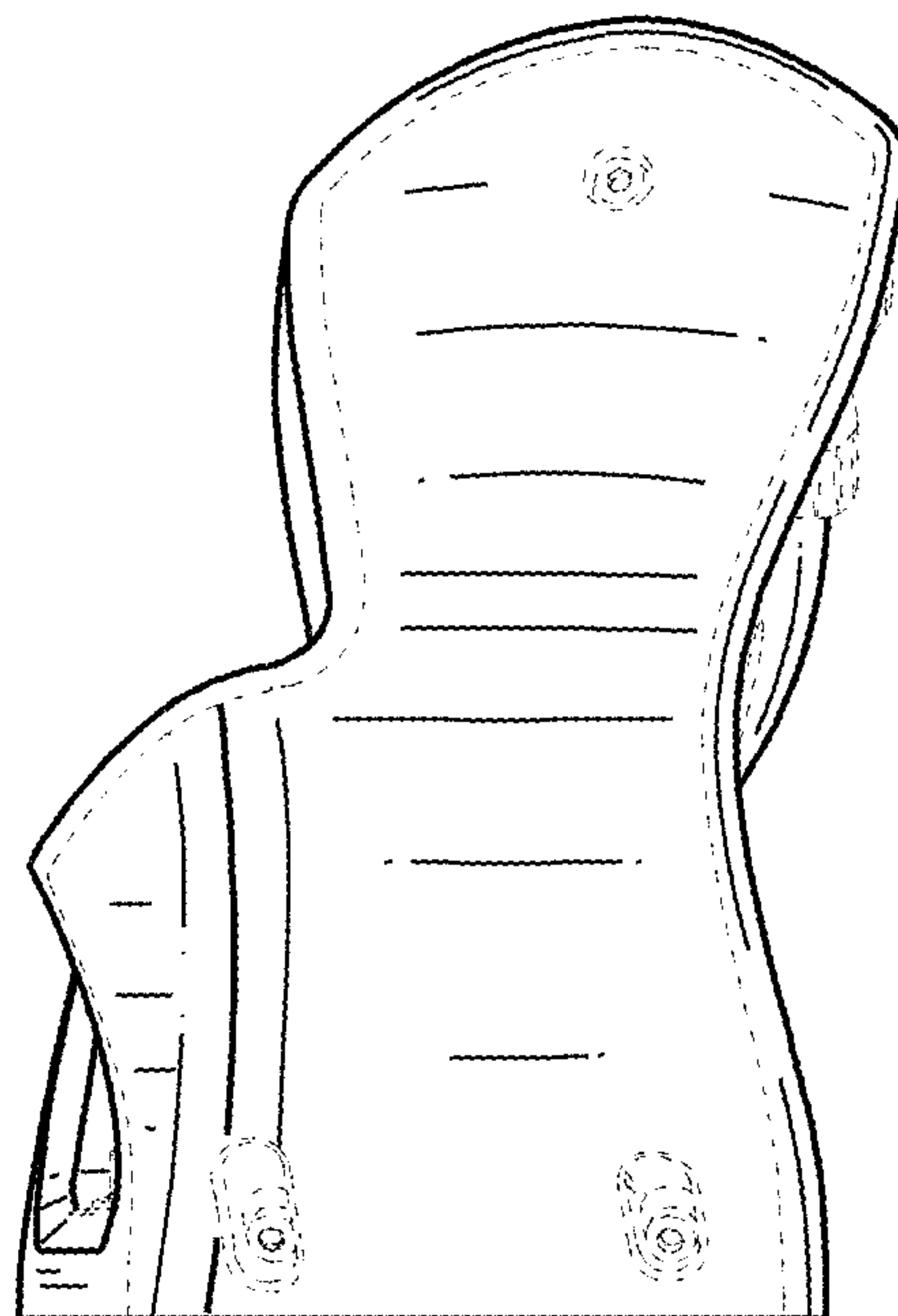


FIG. 6

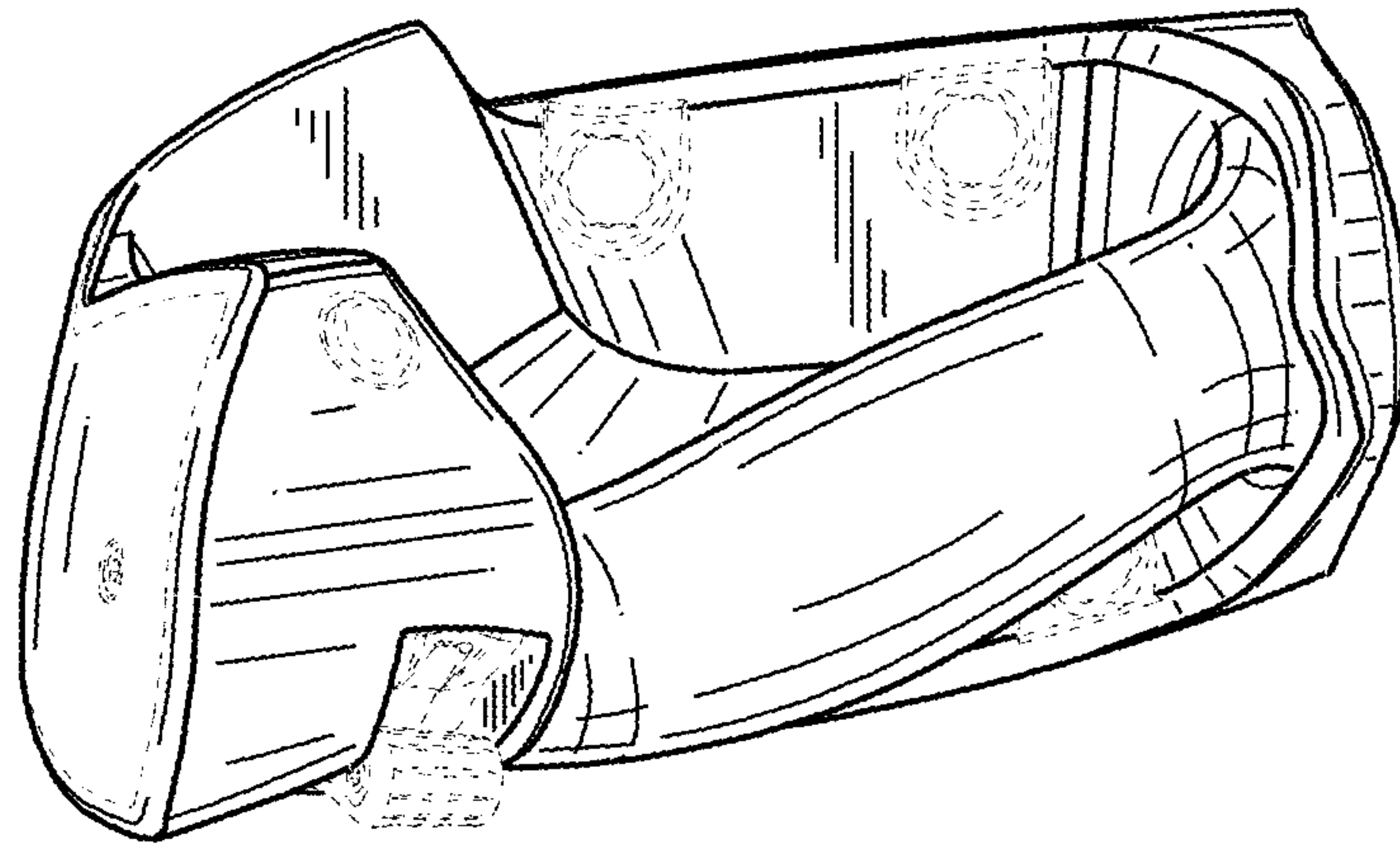


FIG. 7

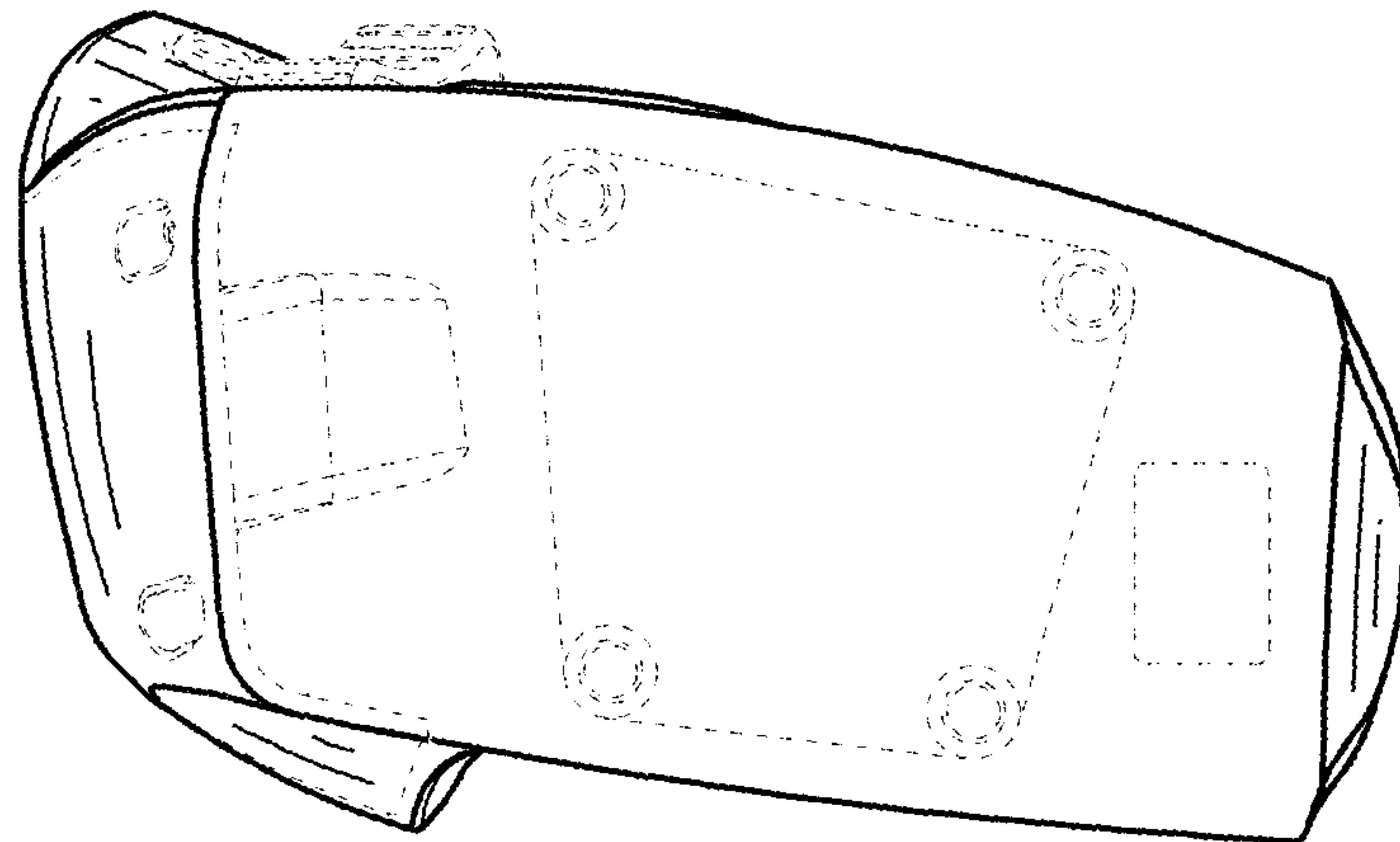


FIG. 8