



US00D744543S

(12) **United States Design Patent**  
**Loew et al.**

(10) **Patent No.:** **US D744,543 S**  
(45) **Date of Patent:** **\*\* Dec. 1, 2015**

(54) **TANDEM ROLLER**  
(71) Applicant: **BOMAG GmbH**, Boppard (DE)  
(72) Inventors: **Roland Loew**, Klein-Winternheim (DE);  
**Christian Berg**, Voelkenroth (DE)  
(73) Assignee: **BOMAG GmbH**, Boppard (DE)  
(\*\*) Term: **14 Years**  
(21) Appl. No.: **29/512,160**  
(22) Filed: **Dec. 17, 2014**

D668,694 S \* 10/2012 Tezuka ..... D15/31  
D694,278 S \* 11/2013 Ewringmann ..... D15/20  
D694,279 S \* 11/2013 Ewringmann ..... D15/20  
D699,764 S \* 2/2014 Loew ..... D15/20  
D720,779 S \* 1/2015 Loew ..... D15/20  
D728,629 S \* 5/2015 Loew ..... D15/20  
2004/0009039 A1 \* 1/2004 Corcoran ..... E01C 19/286  
404/117  
2004/0028472 A1 \* 2/2004 Richter ..... B06B 1/161  
404/117  
2012/0114416 A1 \* 5/2012 Marsolek ..... E01C 19/286  
404/75  
2014/0119827 A1 \* 5/2014 Haupt ..... E01C 19/38  
404/75  
2014/0161529 A1 \* 6/2014 Darscheid ..... E01C 19/38  
404/84.05

(30) **Foreign Application Priority Data**  
Jul. 3, 2014 (EM) ..... 002495283-0015  
(51) **LOC (10) Cl.** ..... **15-03**  
(52) **U.S. Cl.**  
USPC ..... **D15/20; D15/22**  
(58) **Field of Classification Search**  
USPC ..... D15/10, 20, 22, 23; 180/20, 89.1,  
180/89.12; 404/122, 125, 132, 117, 124  
CPC ..... E02D 3/074; E02D 3/026; E01C 19/27;  
E01C 19/41; E01C 19/22; E01C 19/38;  
E01C 19/286; E01C 19/4853; E01C 19/238  
See application file for complete search history.

\* cited by examiner

*Primary Examiner* — Mark Goodwin  
(74) *Attorney, Agent, or Firm* — Wood, Herron & Evans,  
LLP

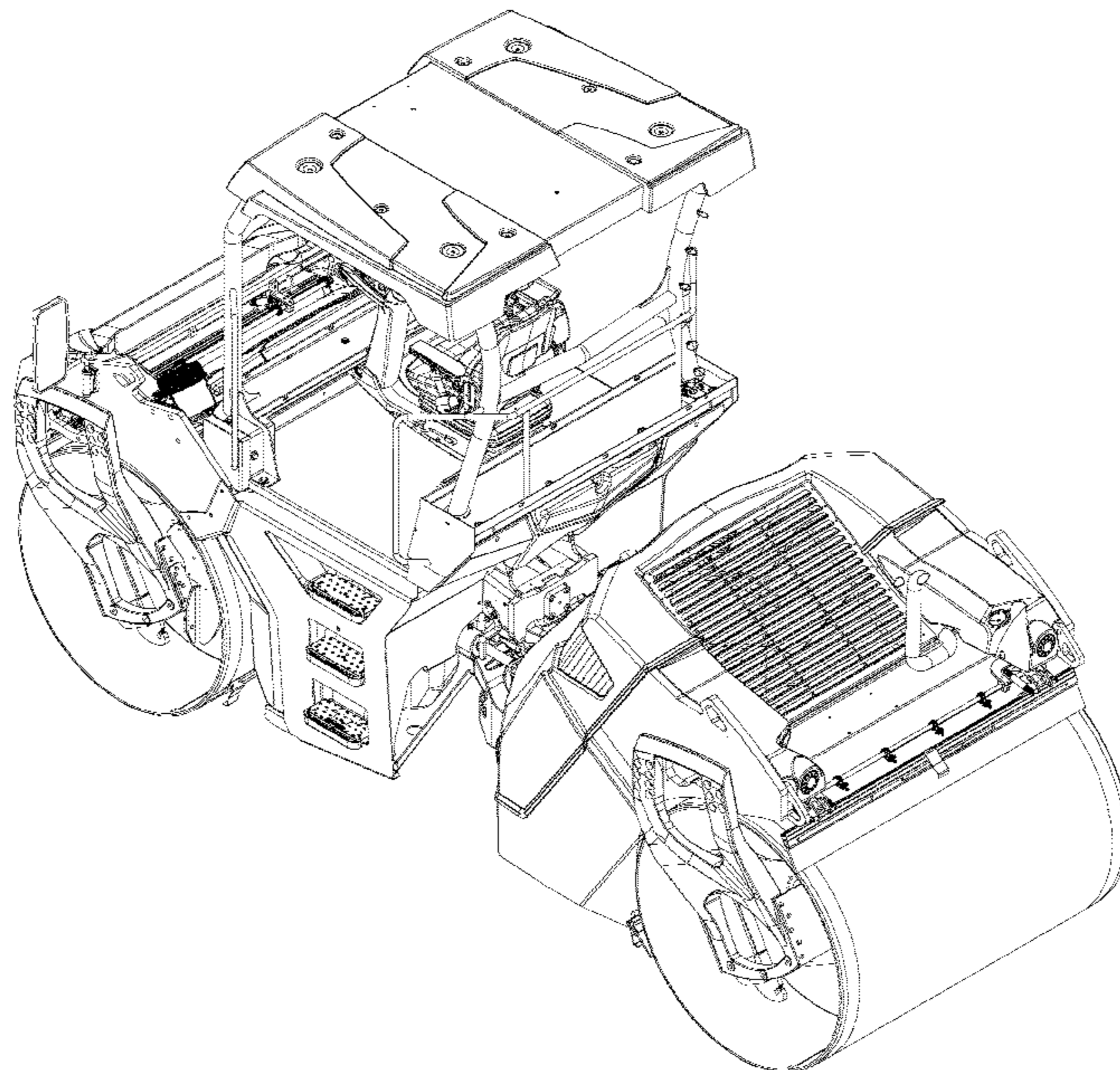
(56) **References Cited**  
U.S. PATENT DOCUMENTS  
D611,505 S \* 3/2010 Loew ..... D15/20  
D611,506 S \* 3/2010 Loew ..... D15/20  
D657,396 S \* 4/2012 Loew ..... D15/20  
D657,397 S \* 4/2012 Loew ..... D15/20  
D657,400 S \* 4/2012 Loew ..... D15/20  
D668,269 S \* 10/2012 Tezuka ..... D15/20

(57) **CLAIM**  
The ornamental design for a tandem roller, as shown and  
described.

**DESCRIPTION**

FIG. 1 is a front left isometric view of our tandem roller  
design;  
FIG. 2 is a front right isometric view thereof;  
FIG. 3 is a rear left isometric view thereof;  
FIG. 4 is a rear right isometric view thereof;  
FIG. 5 is a right side elevational view thereof;  
FIG. 6 is a left side elevational view thereof;  
FIG. 7 is a front elevational view thereof;  
FIG. 8 is a rear elevational view thereof; and,  
FIG. 9 is a top plan view thereof.

**1 Claim, 9 Drawing Sheets**



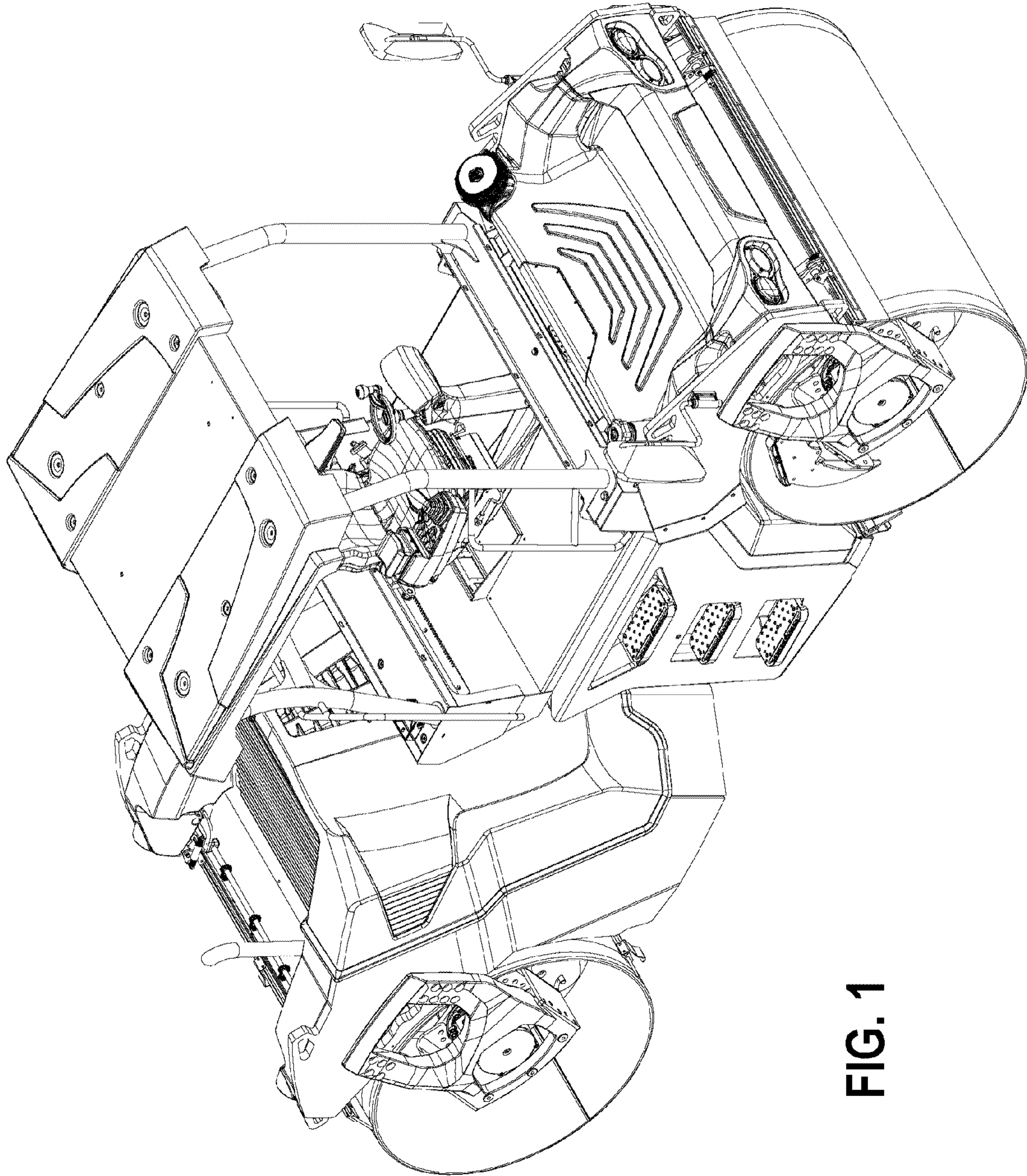


FIG. 1

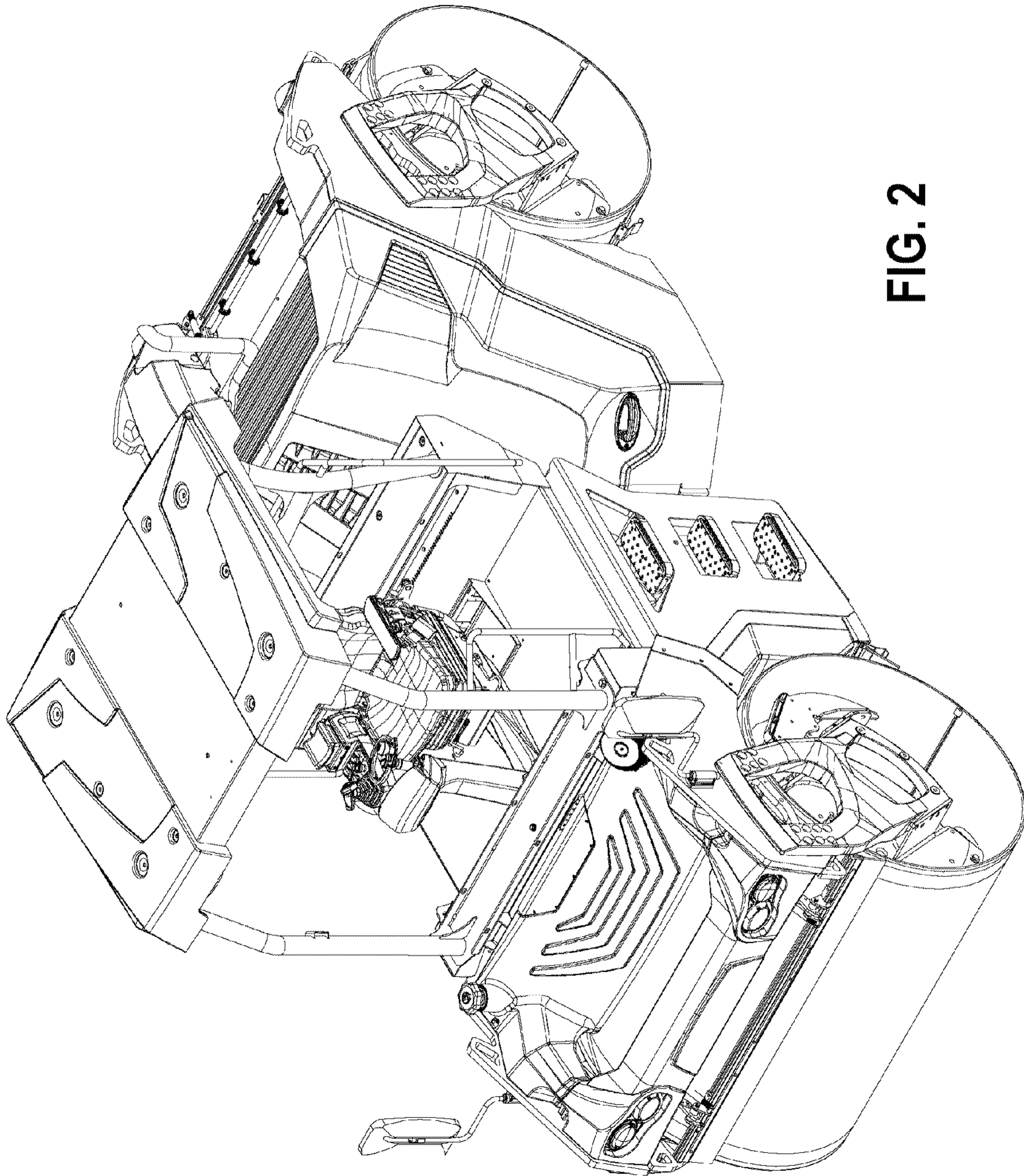


FIG. 2

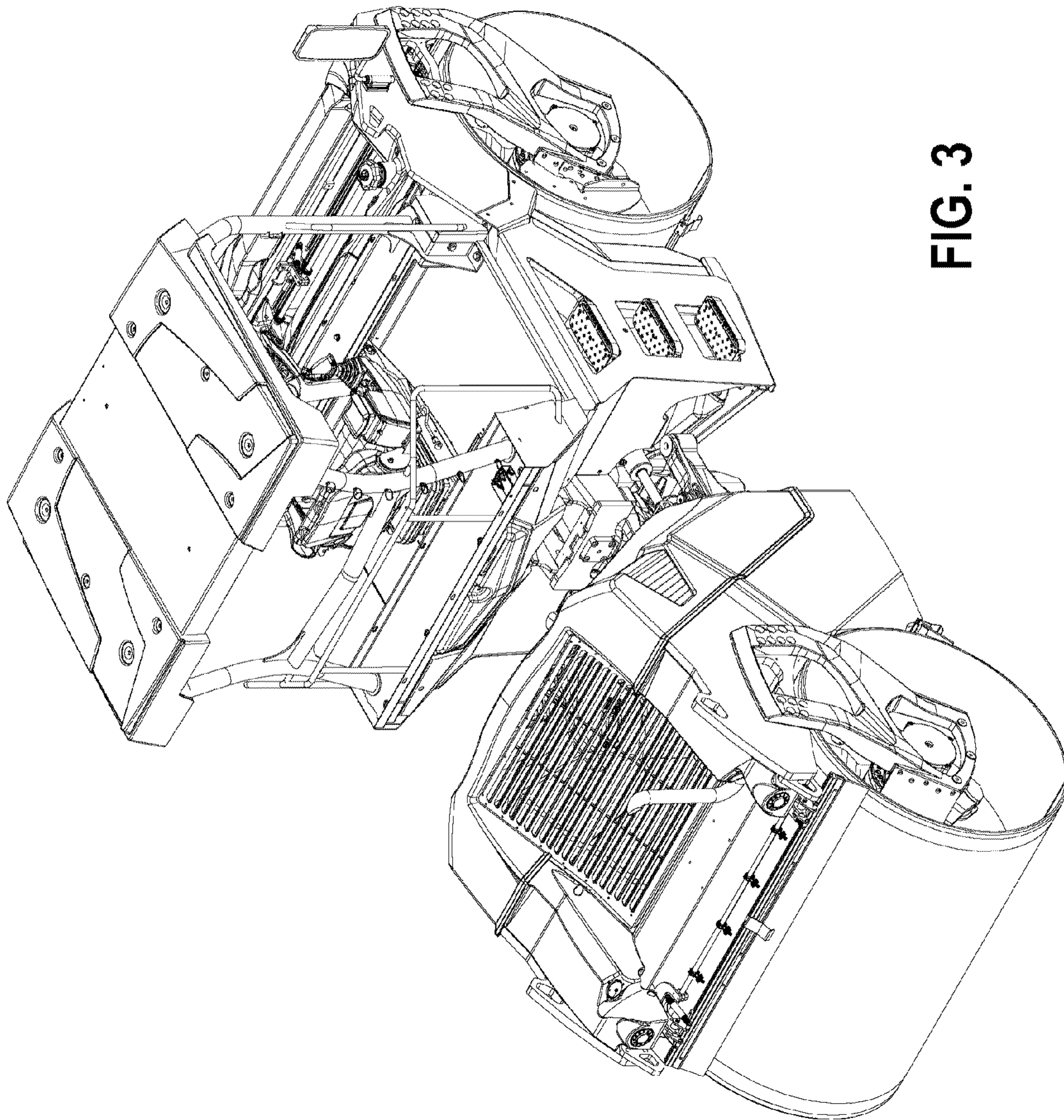


FIG. 3

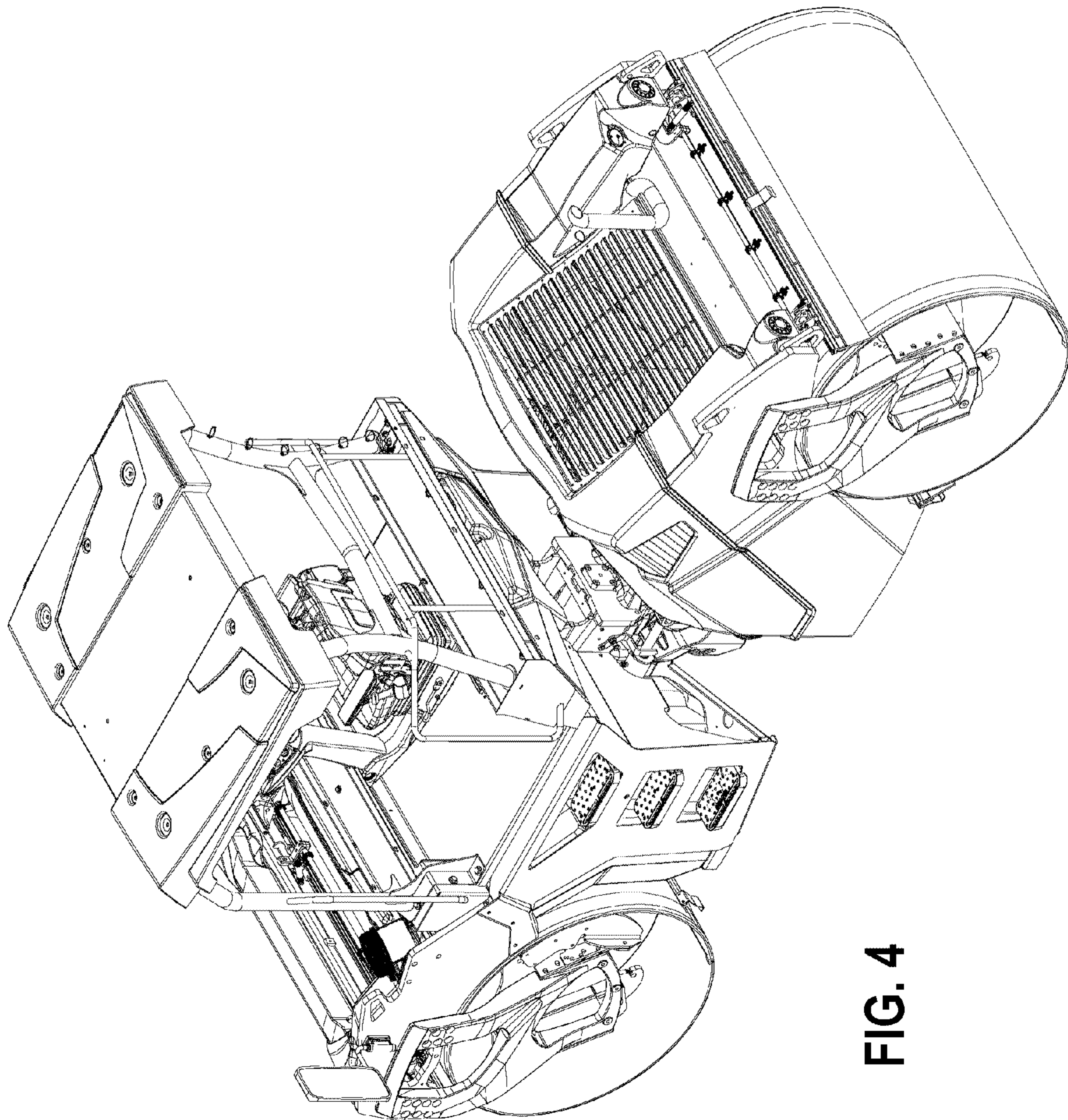


FIG. 4

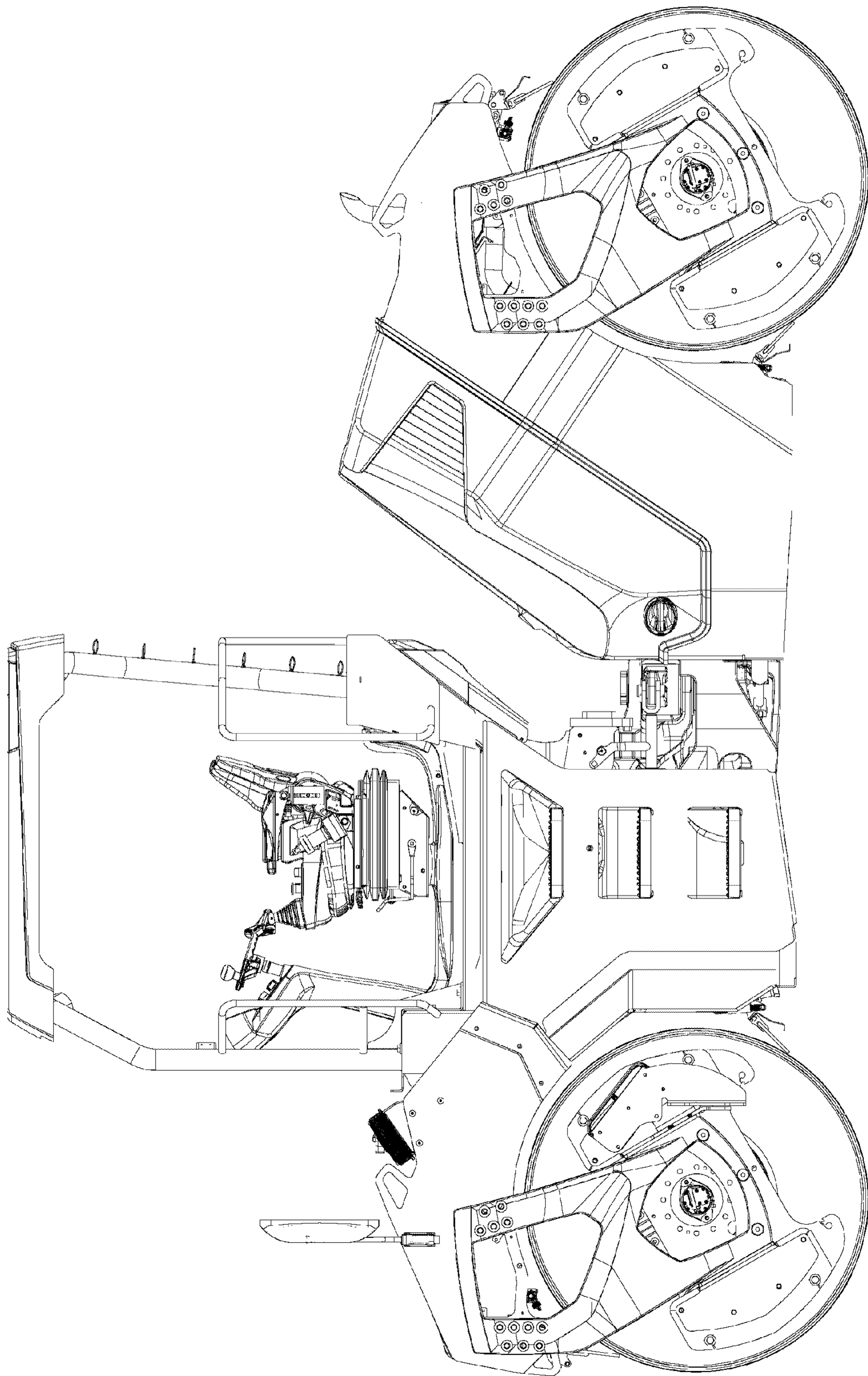


FIG. 5

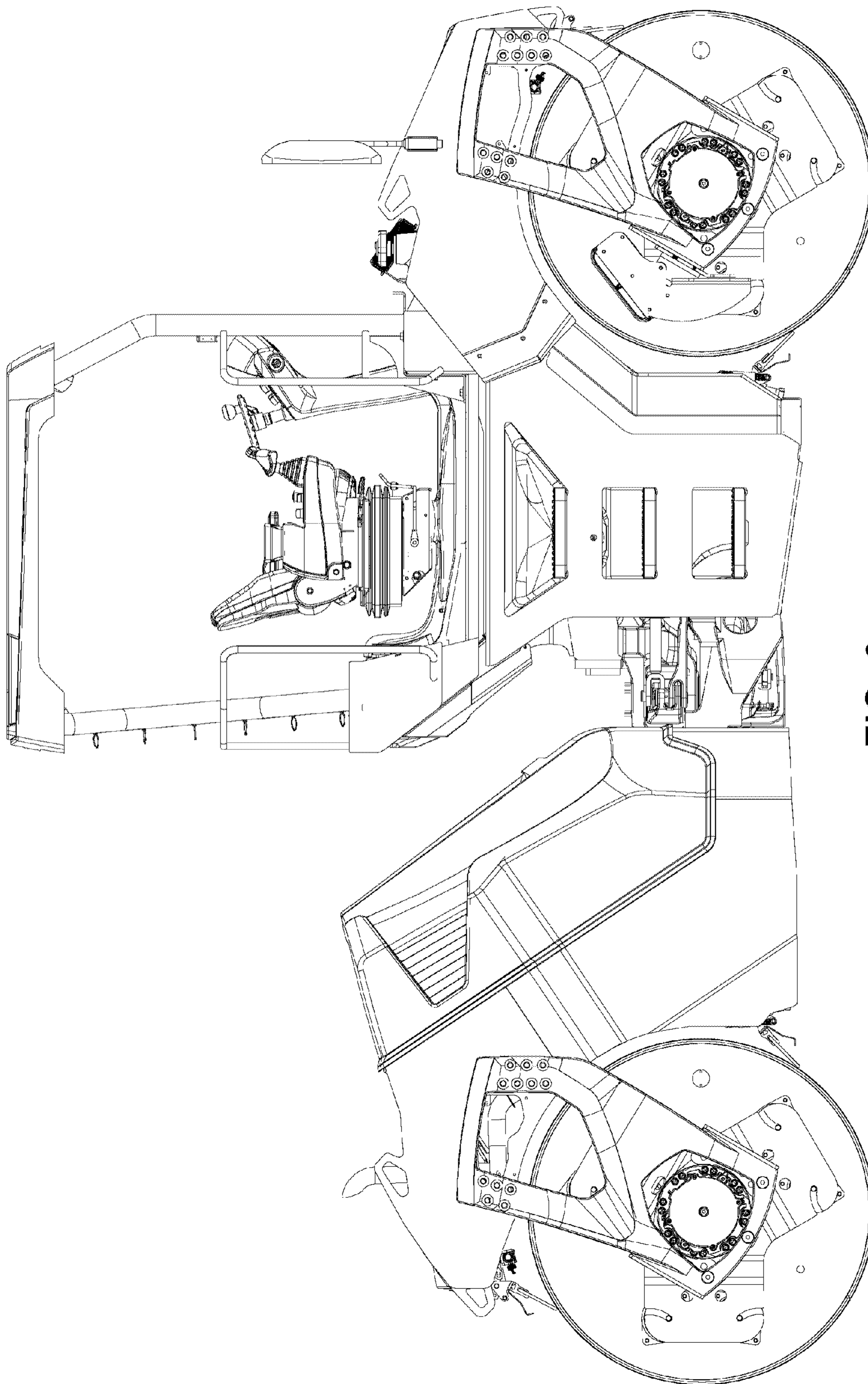


FIG. 6

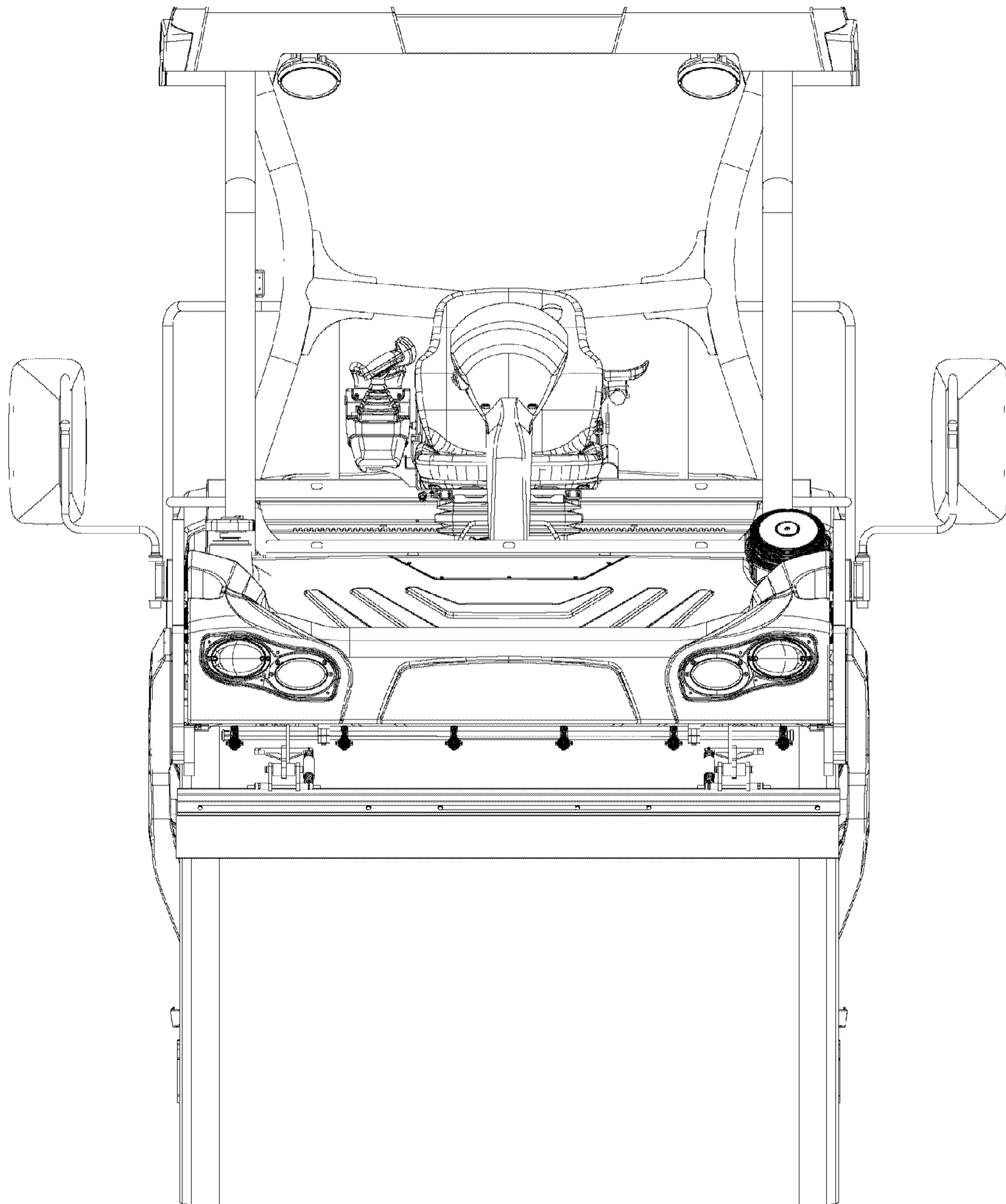


FIG. 7



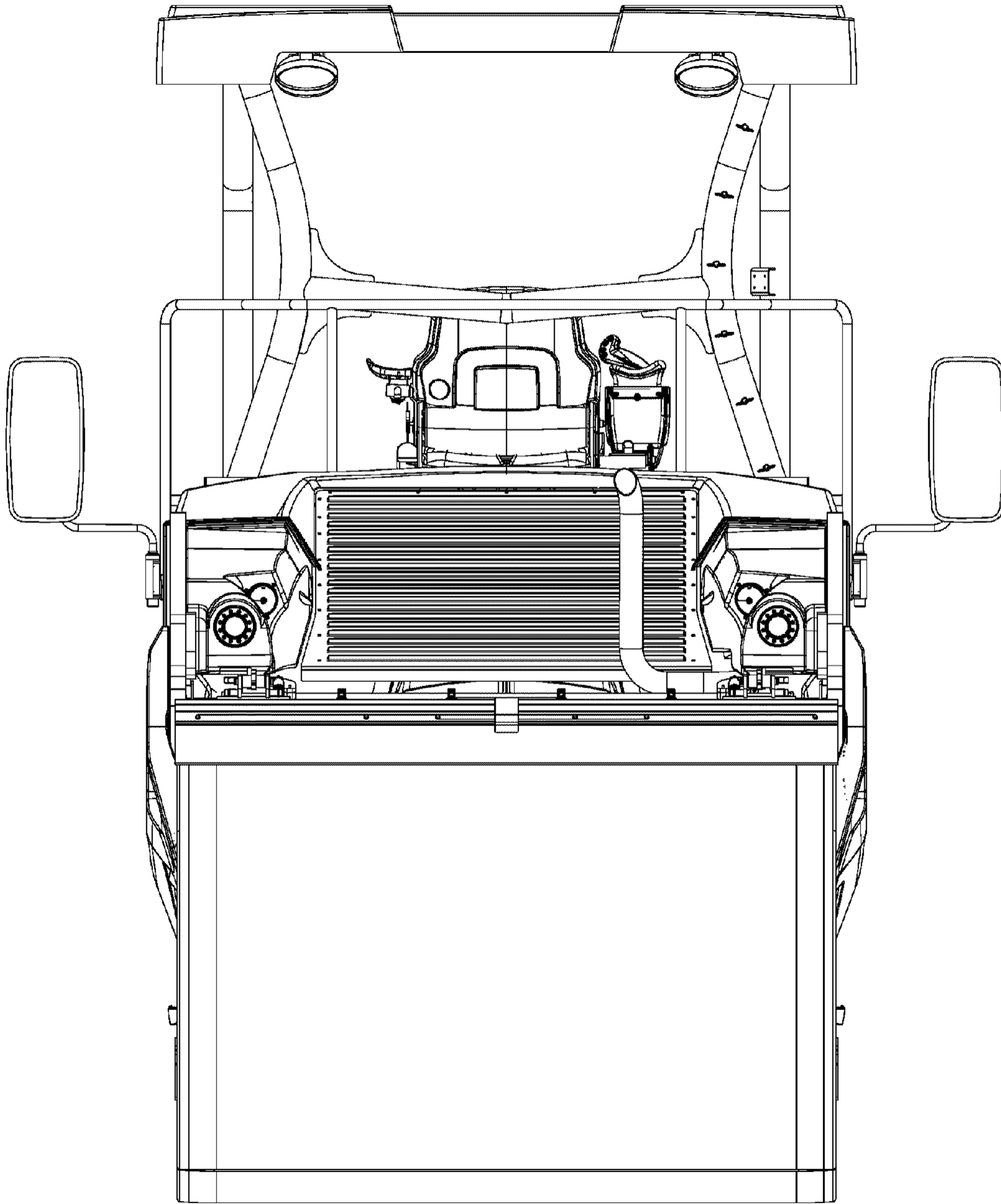


FIG. 8

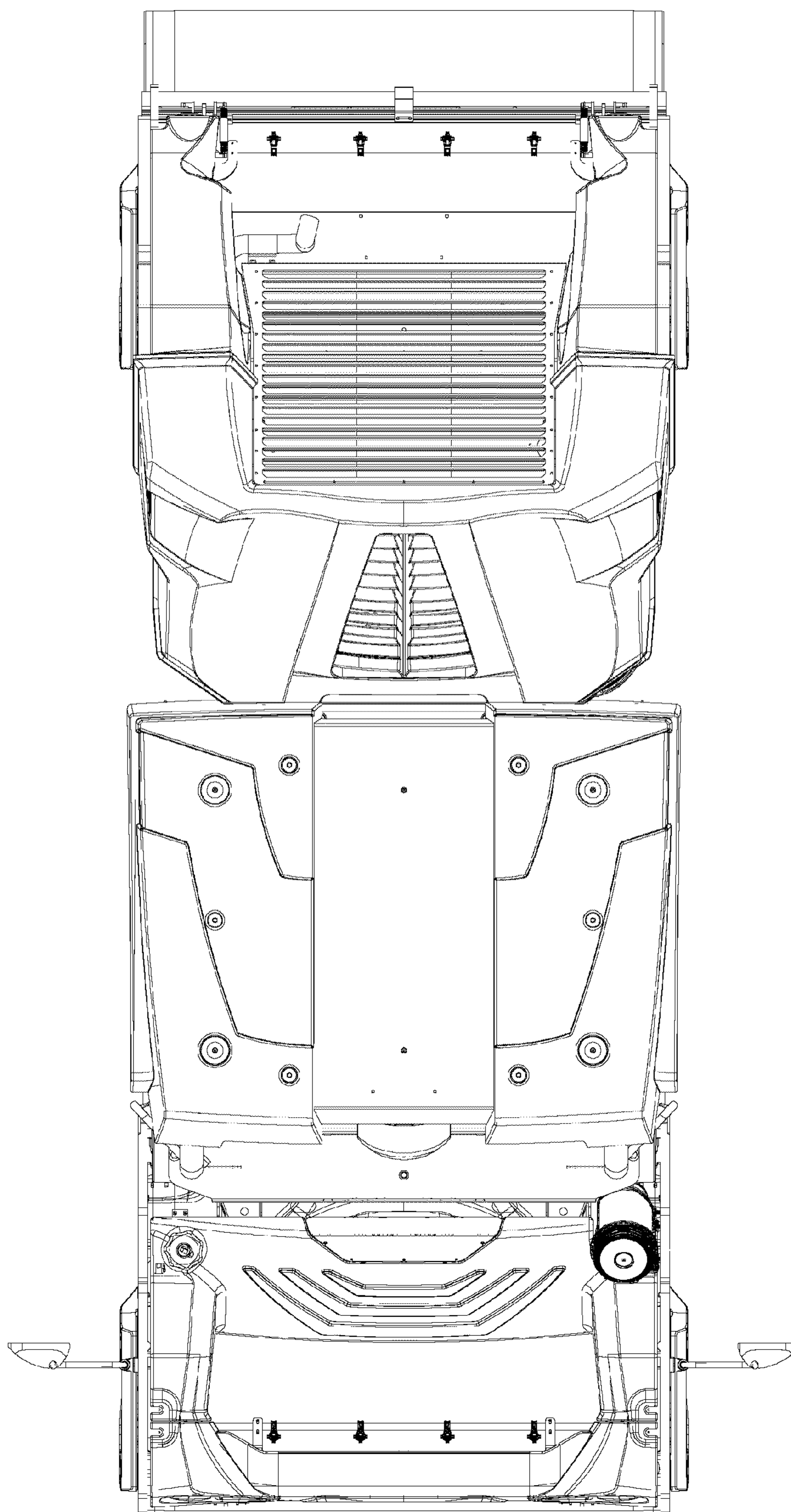


FIG. 9